

US00D694139S

(12) **United States Design Patent**  
**Koeniger et al.**

(10) **Patent No.:** **US D694,139 S**

(45) **Date of Patent:** **\*\* Nov. 26, 2013**

(54) **TRIPOD FOR MEASURING INSTRUMENTS**

(75) Inventors: **Tobias Koeniger**, Bregenz (AT);  
**Christoph Schindler**, Wolfurt (AT)

(73) Assignee: **Hilti Aktiengesellschaft**, Schaan (LI)

(\*\*) Term: **14 Years**

(21) Appl. No.: **29/426,954**

(22) Filed: **Jul. 12, 2012**

(30) **Foreign Application Priority Data**

Jan. 20, 2012 (WO) ..... DM/077 611

(51) **LOC (9) Cl.** ..... **10-04**

(52) **U.S. Cl.**  
USPC ..... **D10/74**

(58) **Field of Classification Search**  
USPC ..... D10/74; D16/244; 248/163.1-440;  
396/427, 428

See application file for complete search history.

(56) **References Cited**

U.S. PATENT DOCUMENTS

D276,622 S \* 12/1984 Mooney ..... D16/244  
7,654,494 B2 \* 2/2010 Cartoni et al. .... 248/163.1

\* cited by examiner

*Primary Examiner* — Antoine D Davis

(74) *Attorney, Agent, or Firm* — Crowell & Moring LLP

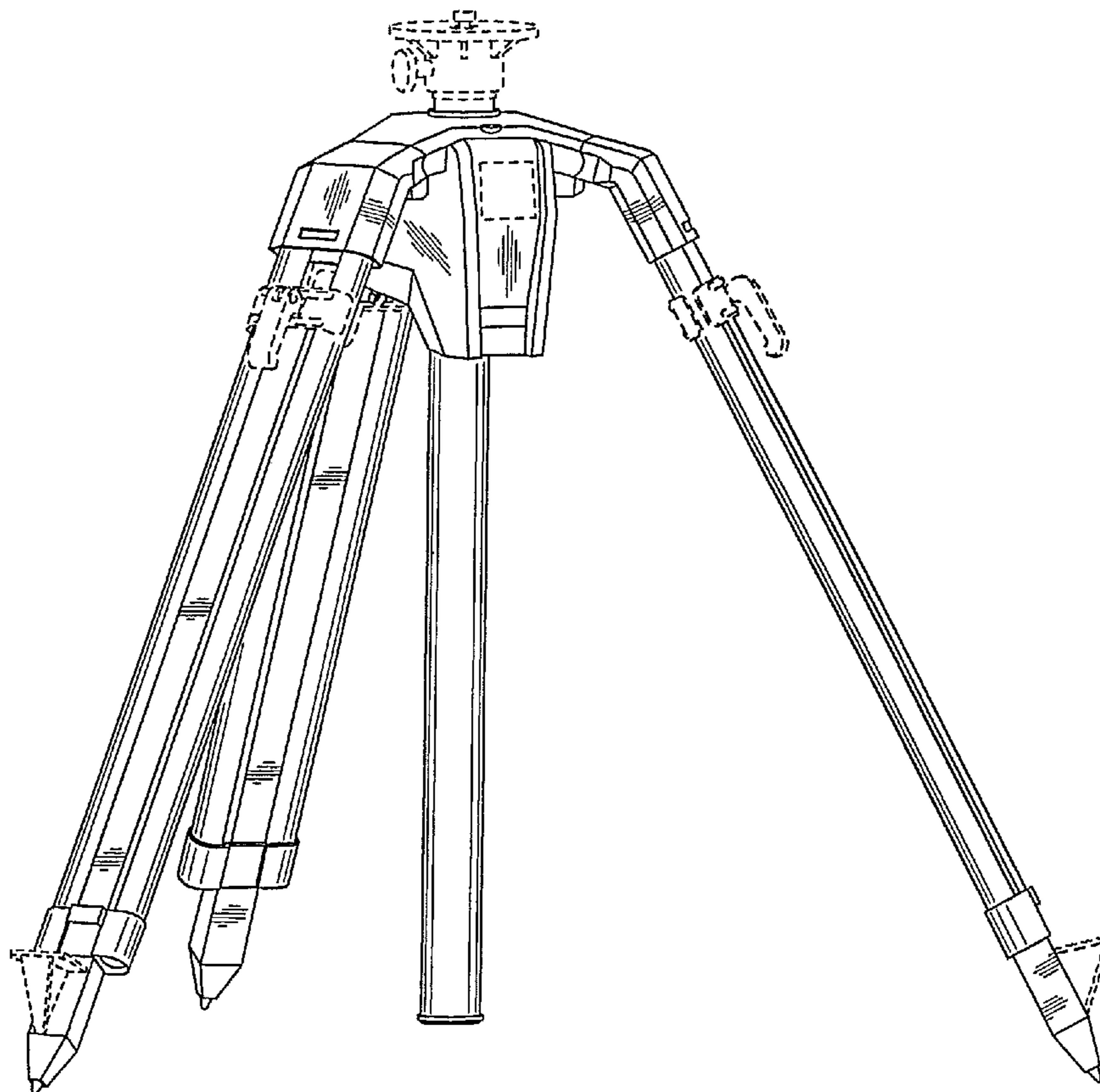
(57) **CLAIM**

The ornamental design for a tripod for measuring instruments, as shown and described.

**DESCRIPTION**

FIG. 1 is a front, left perspective view of a first embodiment of a tripod for measuring instruments according to our design; FIG. 2 is a front view thereof; FIG. 3 is a rear view thereof; FIG. 4 is a left side view thereof; FIG. 5 is a right side view thereof; FIG. 6 is a top view thereof; FIG. 7 is a bottom view thereof; FIG. 8 is a top, front, right perspective view thereof; FIG. 9 is a bottom, rear, left perspective view thereof; and, FIG. 10 is a bottom, front, right perspective view thereof. The broken lines are for illustrative purposes only and form no part of the claimed design.

**1 Claim, 10 Drawing Sheets**



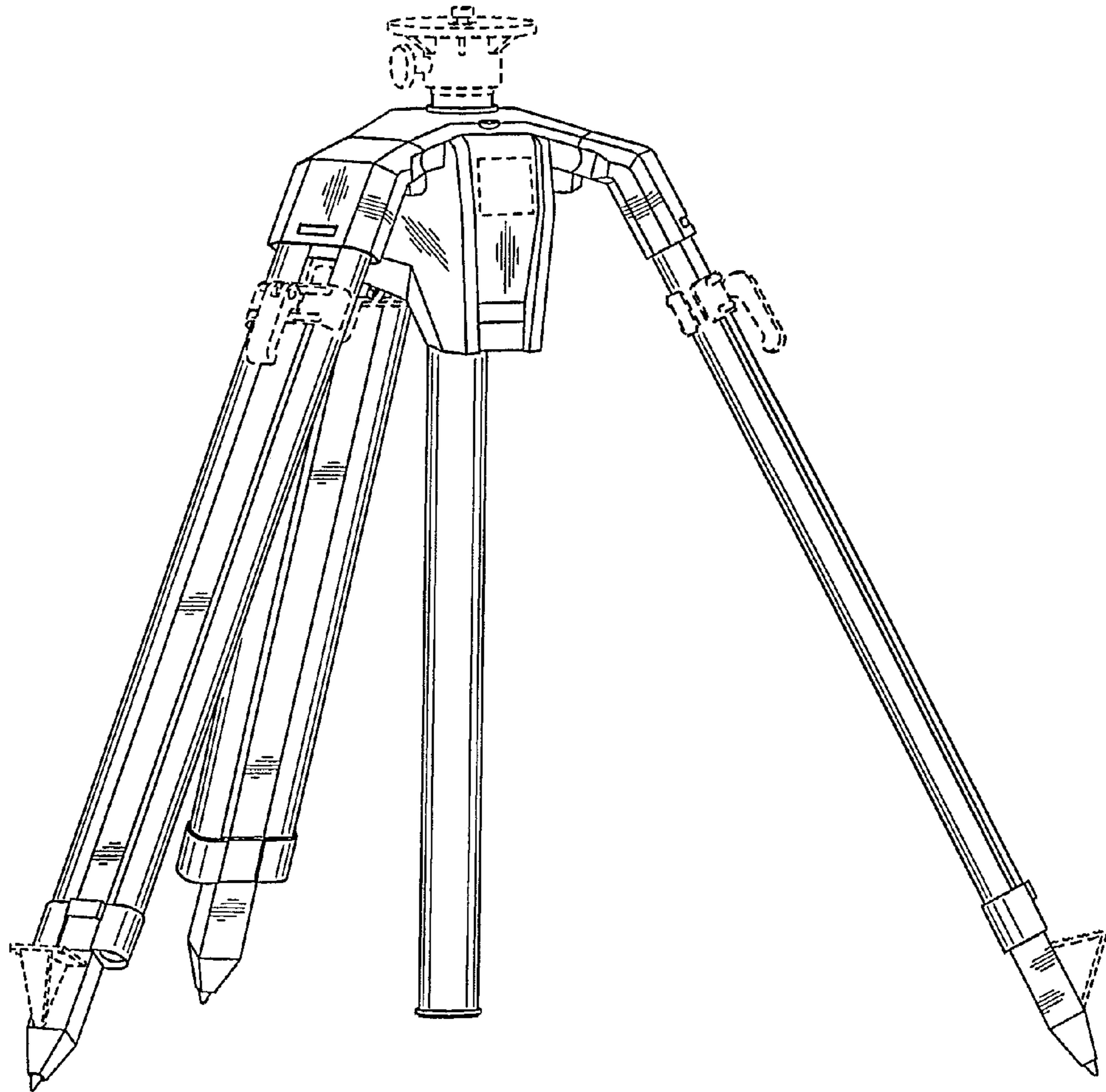


Fig. 1

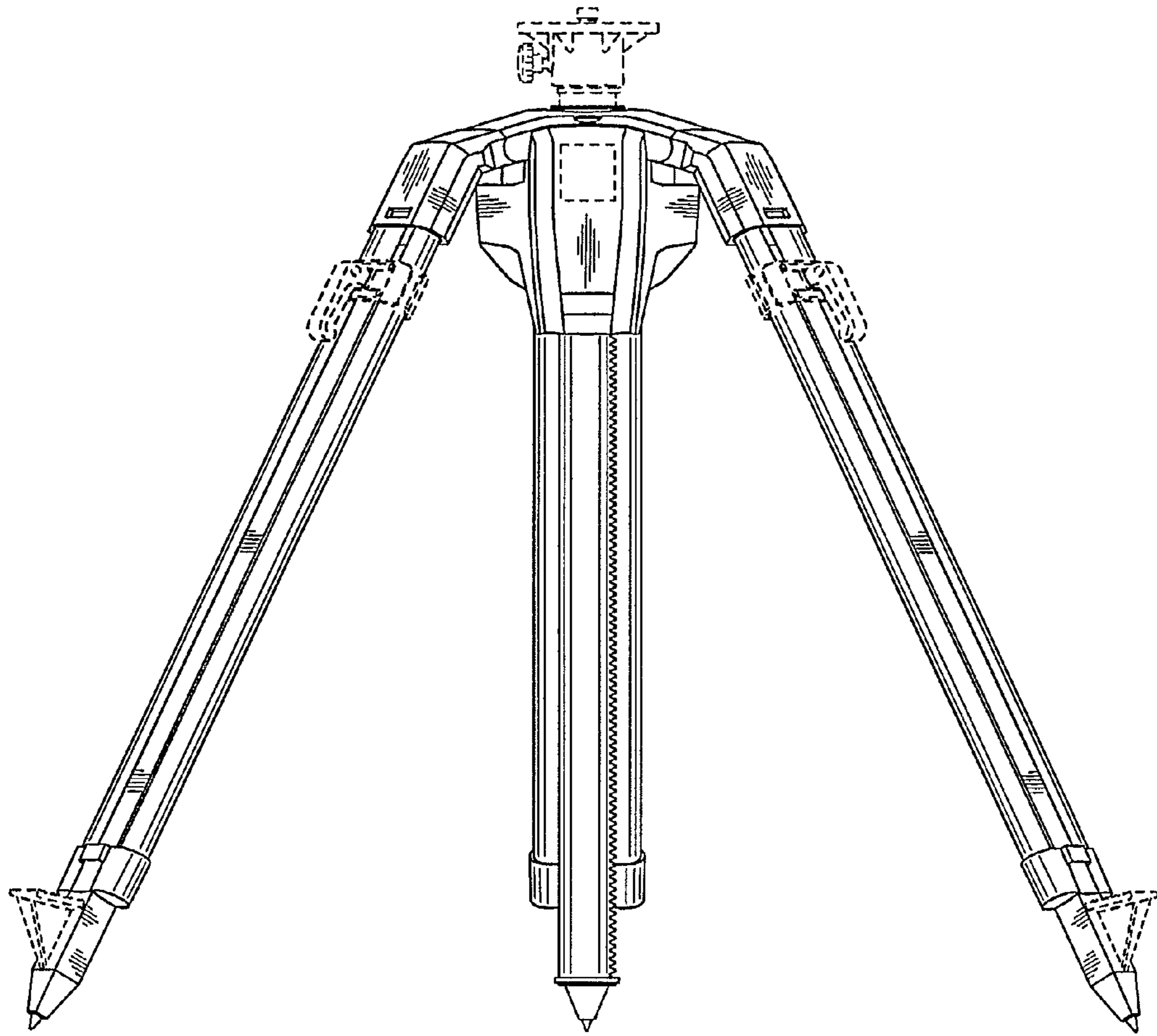


Fig. 2

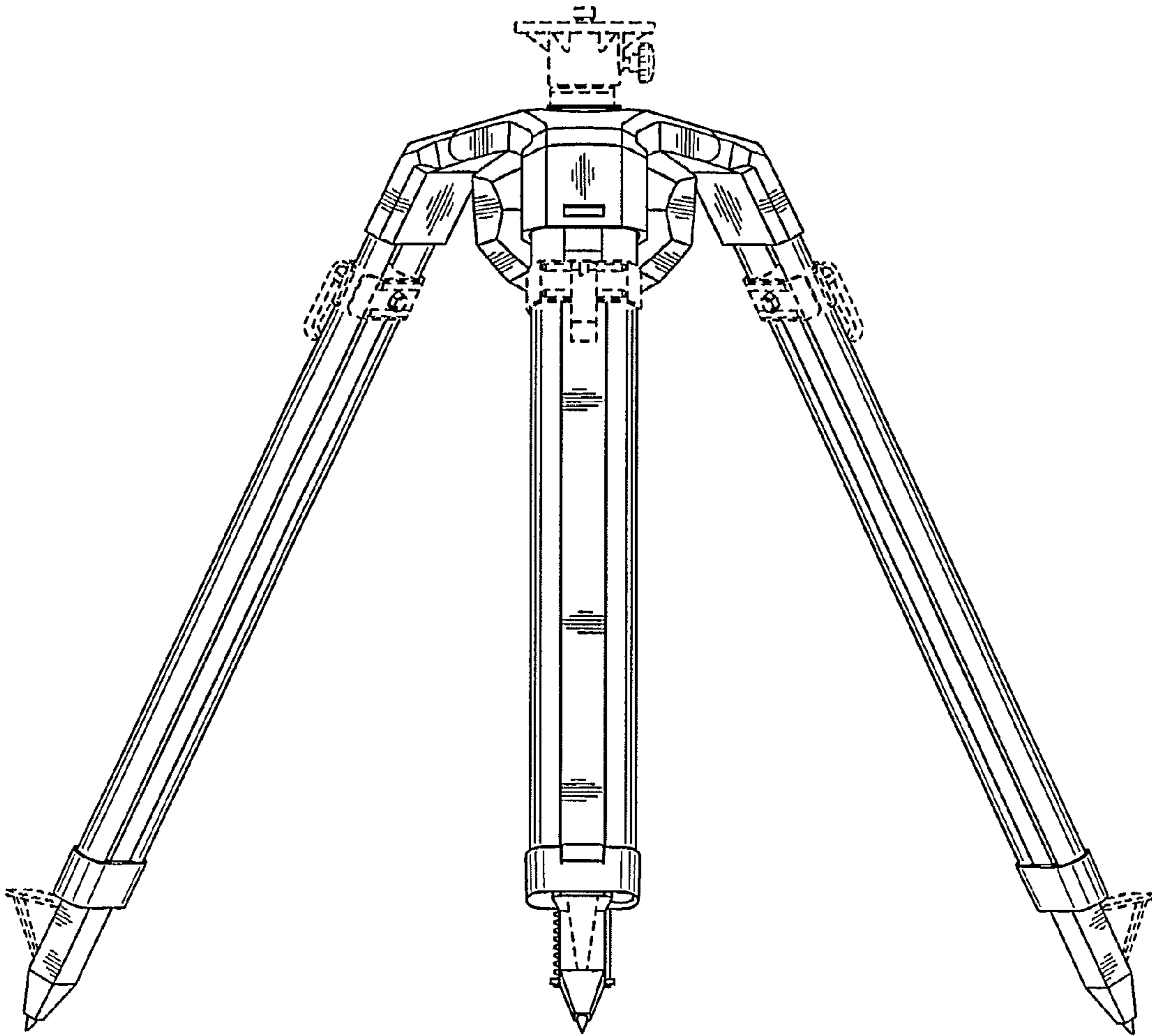


Fig. 3

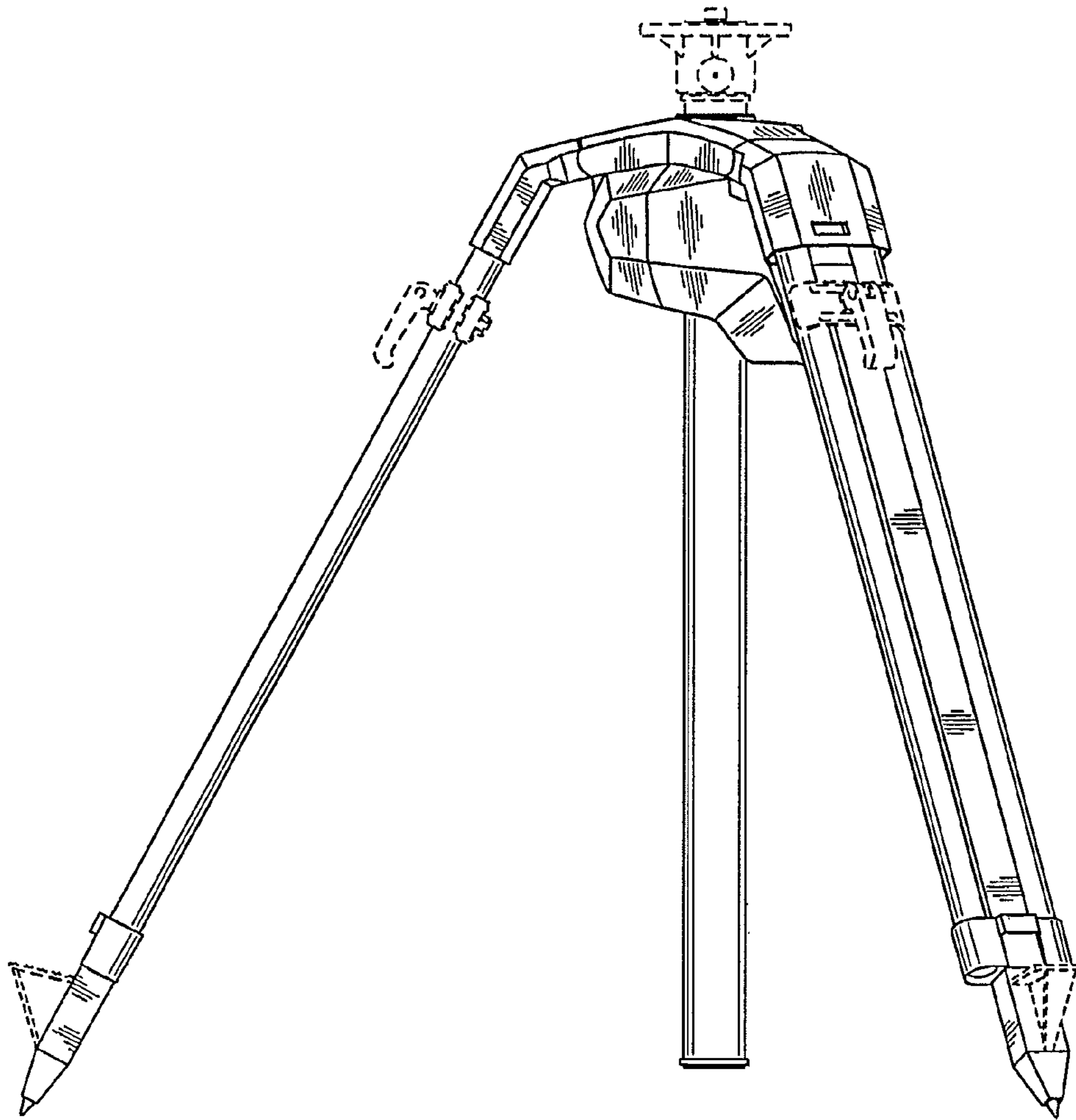


Fig. 4

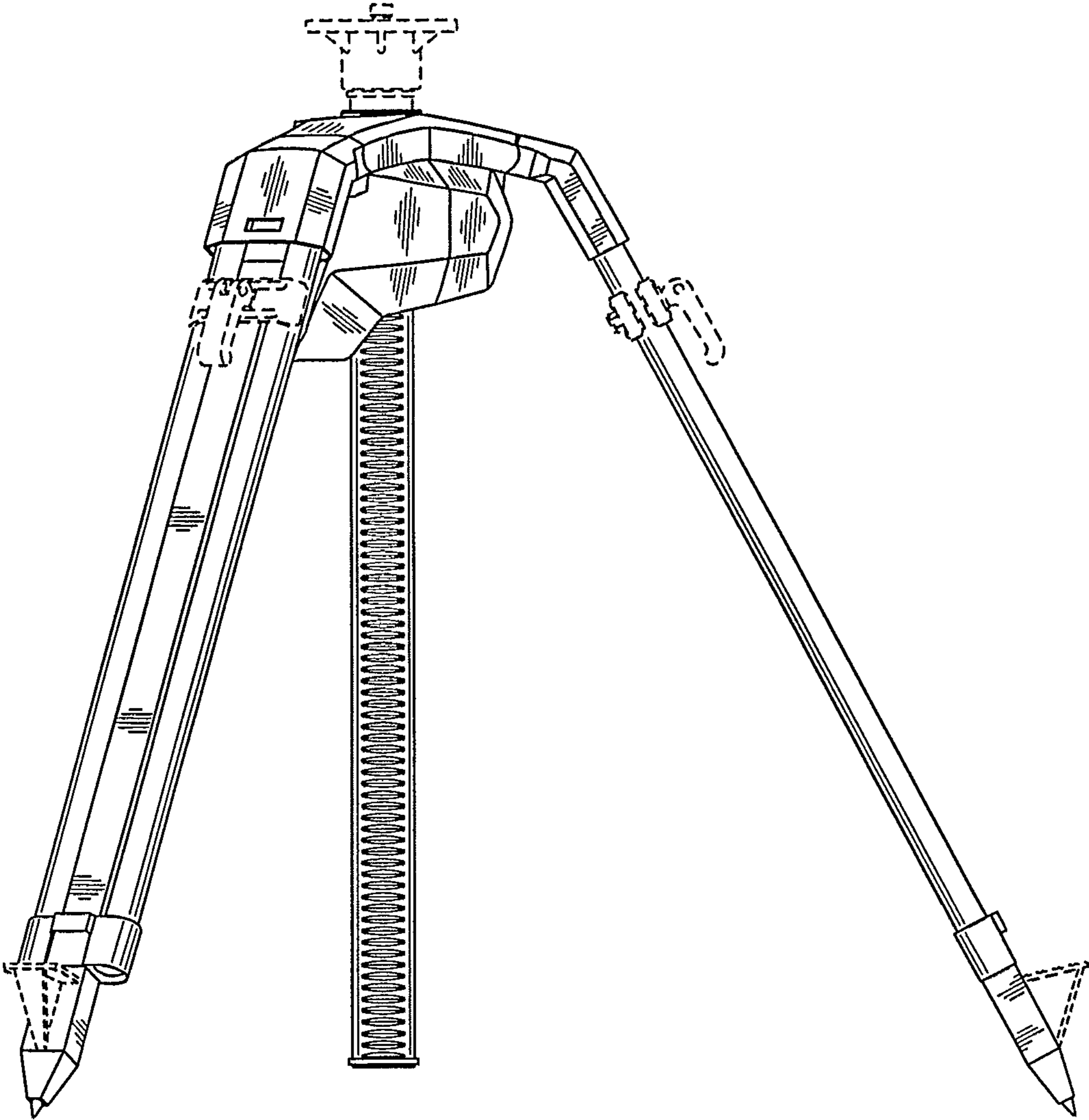


Fig. 5

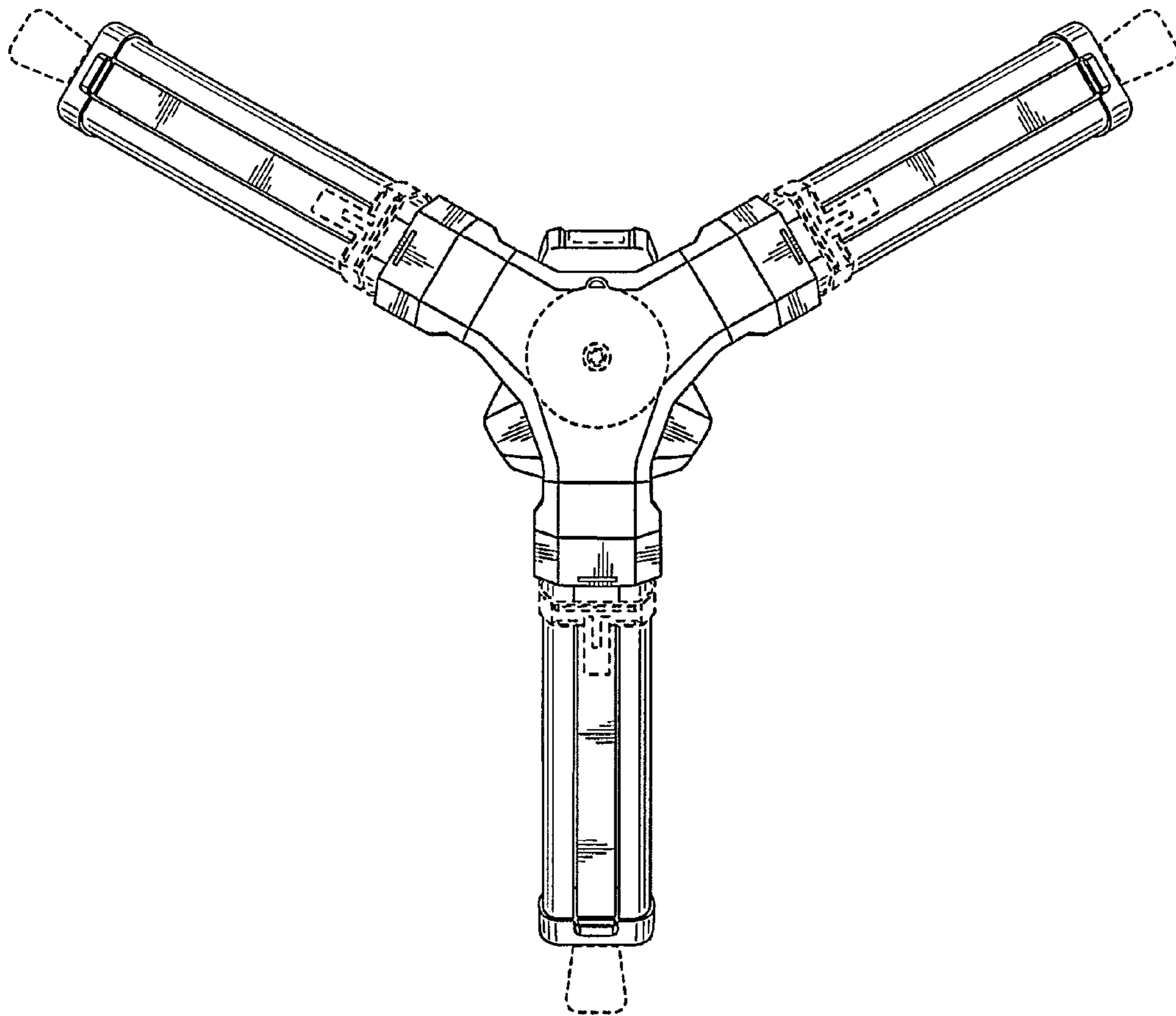


Fig. 6

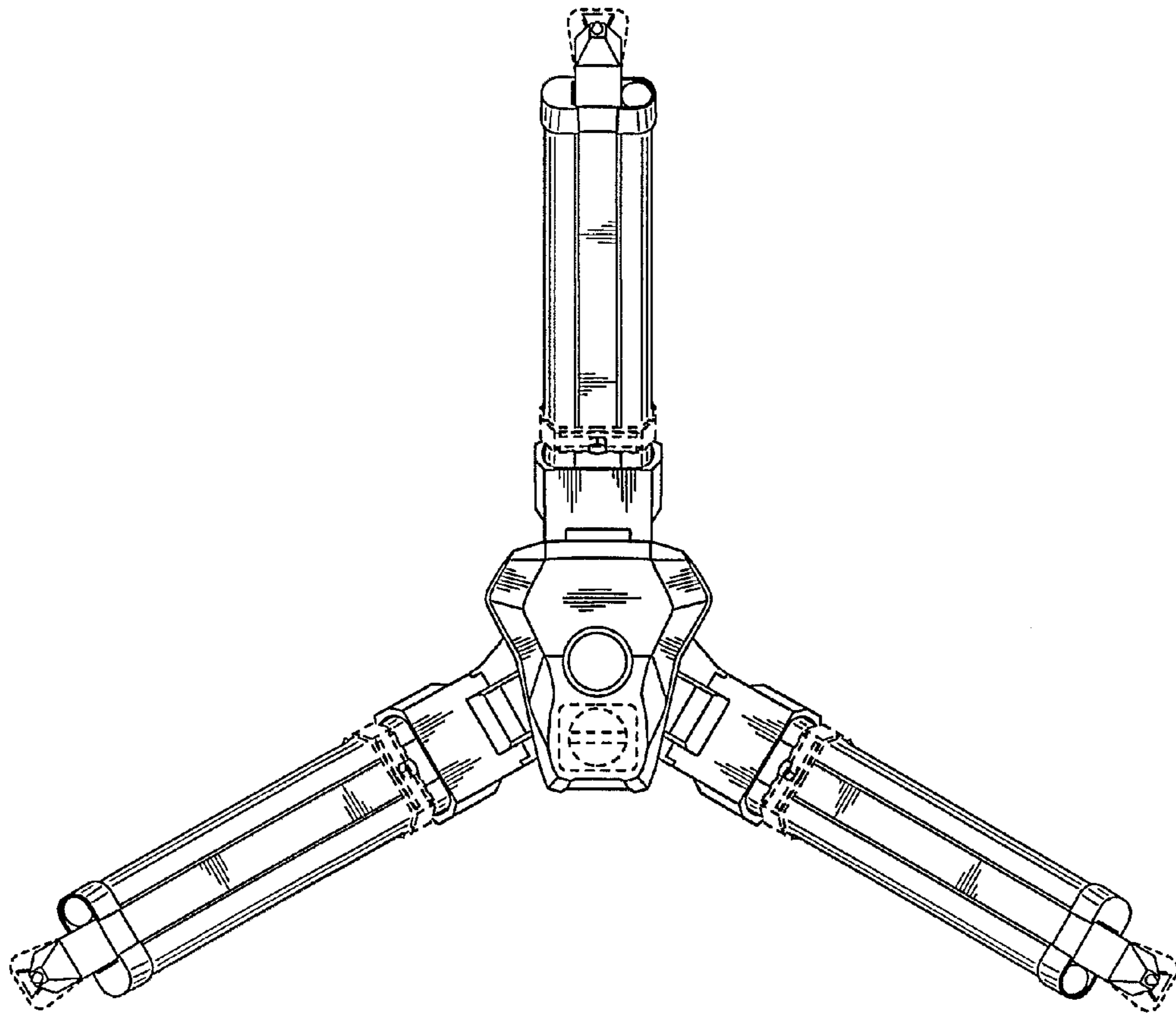


Fig. 7



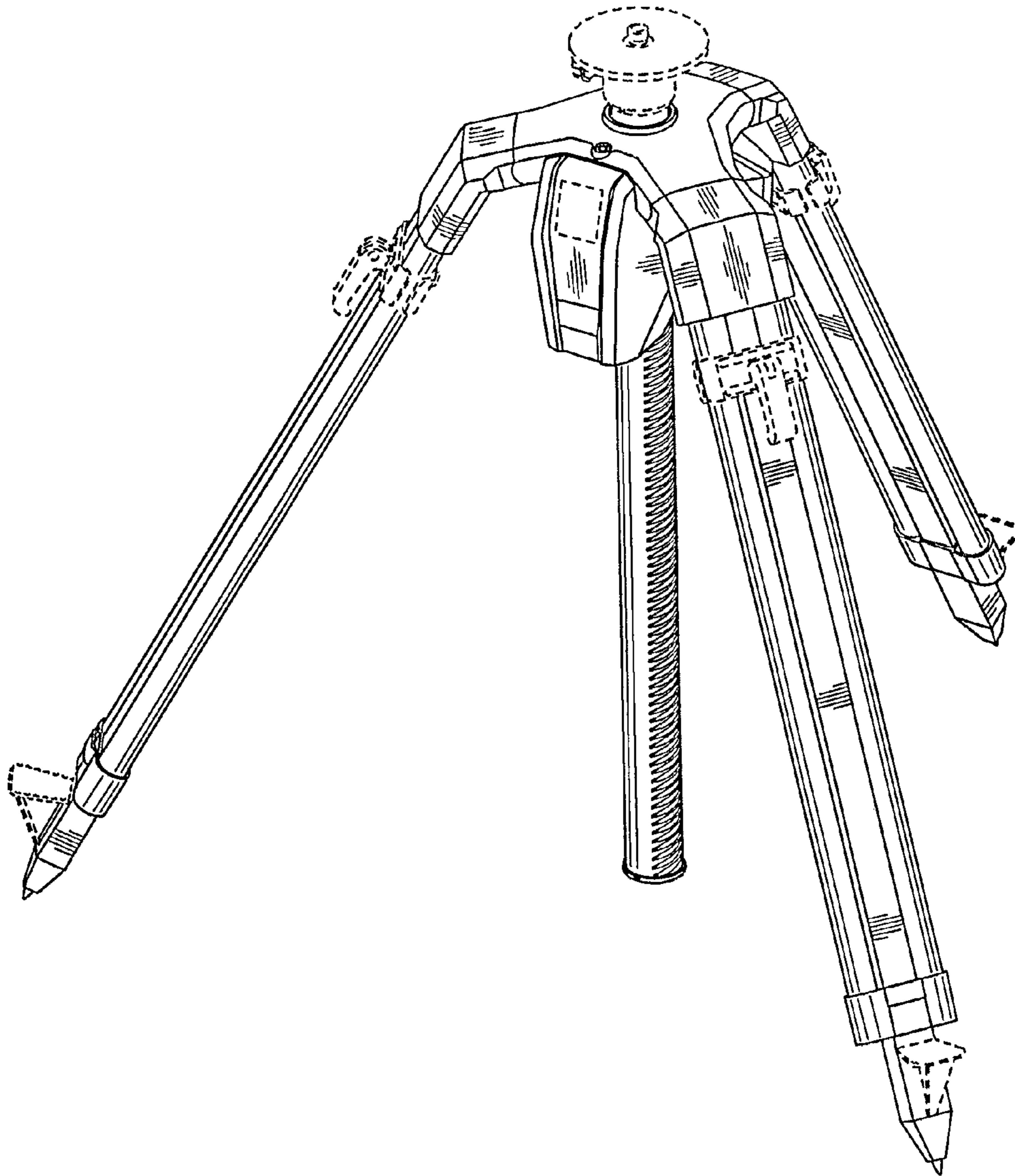


Fig. 8

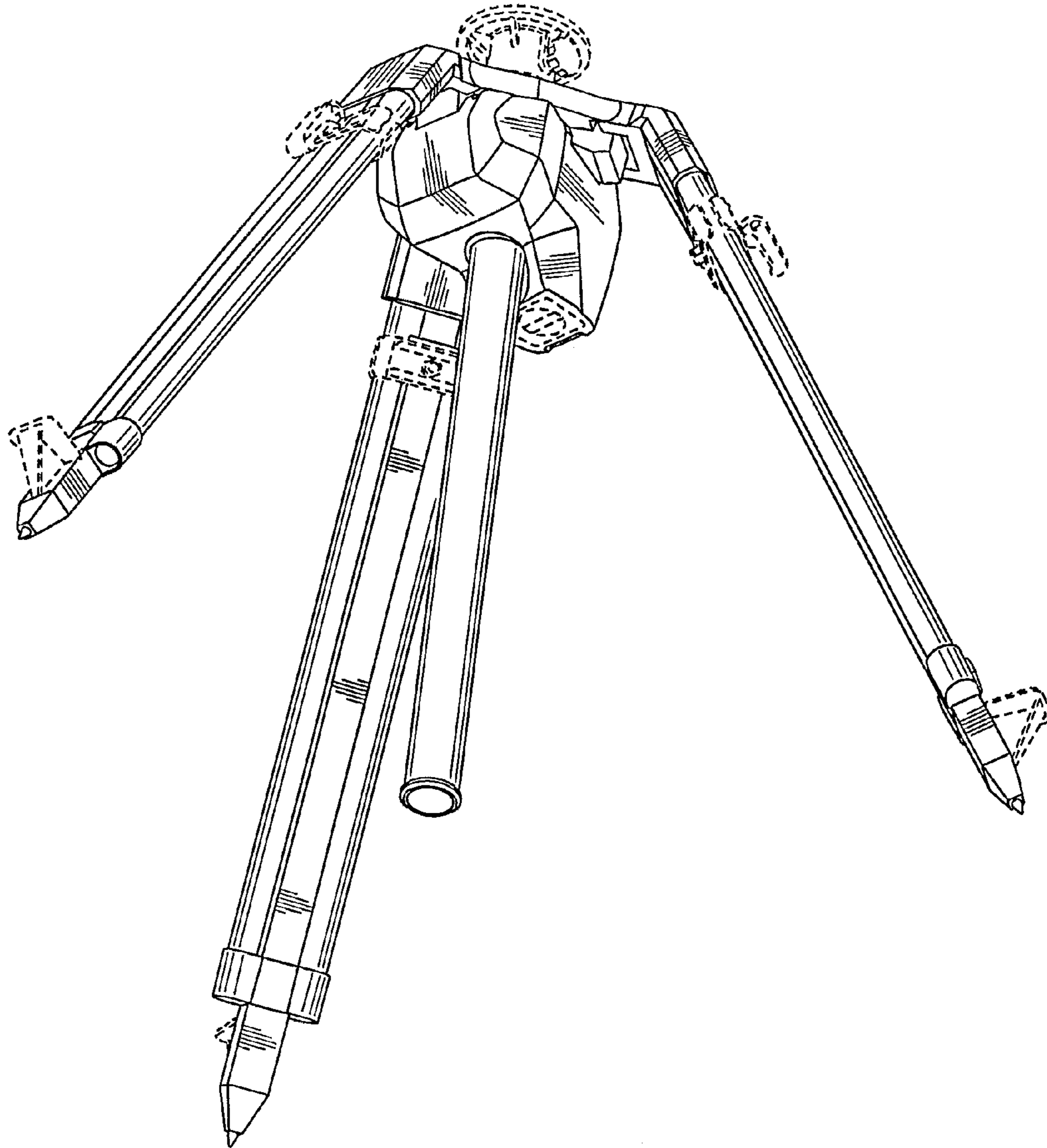


Fig. 9

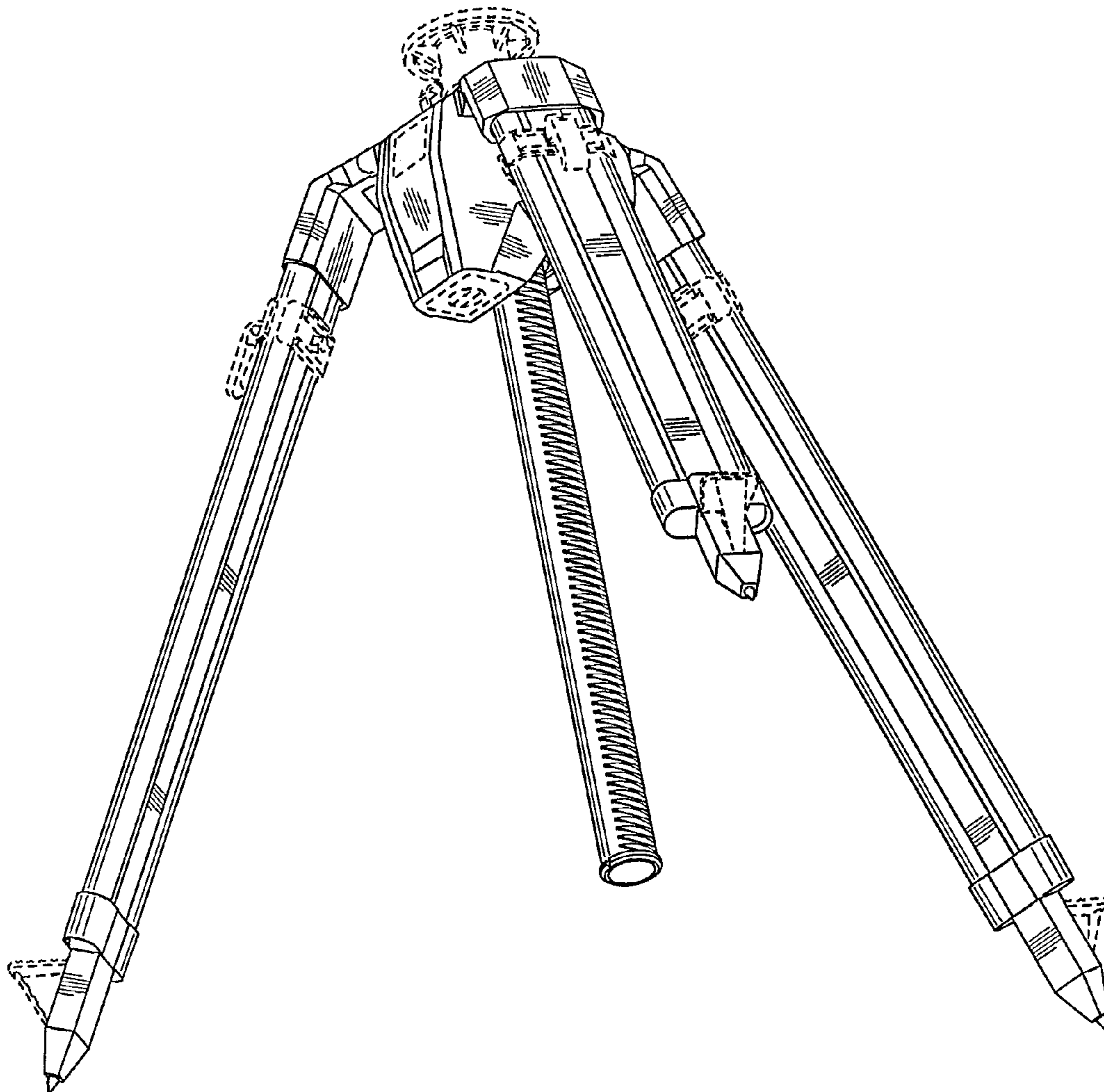


Fig. 10