



US00D694137S

(12) **United States Design Patent**
Kinz

(10) **Patent No.:** **US D694,137 S**
(45) **Date of Patent:** **** Nov. 26, 2013**

(54) **SHOE RULER**

DESCRIPTION

(76) Inventor: **Wieland Kinz**, Salzburg (AT)

(**) Term: **14 Years**

(21) Appl. No.: **29/407,173**

(22) Filed: **Nov. 23, 2011**

(51) **LOC (9) Cl.** **10-04**

(52) **U.S. Cl.**
USPC **D10/70**

(58) **Field of Classification Search**
USPC D10/71, 70; 33/3 A, 3 B, 3 R, 511–512,
33/483–494, 760, 783, 806, 809–810;
600/592

See application file for complete search history.

(56) **References Cited**

U.S. PATENT DOCUMENTS

D331,598 S *	12/1992	Martin	D19/32
D348,226 S *	6/1994	Alaniz	D10/61
D388,345 S *	12/1997	Burns	D10/71
D498,687 S *	11/2004	Lopano	D10/69
D526,228 S *	8/2006	Markin	D10/74
D610,927 S *	3/2010	Garthoff et al.	D10/70
D639,683 S *	6/2011	Essel	D10/65
D639,684 S *	6/2011	Essel	D10/65
D652,331 S *	1/2012	Weise et al.	D10/71
D678,089 S *	3/2013	Doppel et al.	D10/71

* cited by examiner

Primary Examiner — Antoine D Davis

(74) *Attorney, Agent, or Firm* — Greer, Burns & Crain Ltd.

(57) **CLAIM**

The ornamental design for a shoe ruler, as shown and described.

FIG. 1 is a top elevational view of a shoe ruler in place on a carrying card of sheet material shown in phantom for environmental purposes, an edge of a heel portion of the shoe ruler also being shown in phantom for environmental purposes, and showing a tab mounted flush with a heel engaging wall on the heel portion;

FIG. 2 is a right side elevational view of the shoe ruler in place on a carrying card shown in phantom for environmental purposes, the left side elevational view being identical;

FIG. 3 is a front elevational view of the shoe ruler in place on a carrying card shown in phantom for environmental purposes, the rear side elevational view being identical;

FIG. 4 is a bottom elevational view of the shoe ruler in place on a carrying card shown in phantom for environmental purposes;

FIG. 5 is a top elevational view of the shoe ruler of FIG. 1 which has been removed from the card and with the heel portion folded perpendicularly along a first line where the heel portion joins the shoe ruler into a position of use, the heel portion also being folded along two parallel lines so that side portions of the heel portion extend parallel to each other and away from the line where the heel portion joins the shoe ruler;

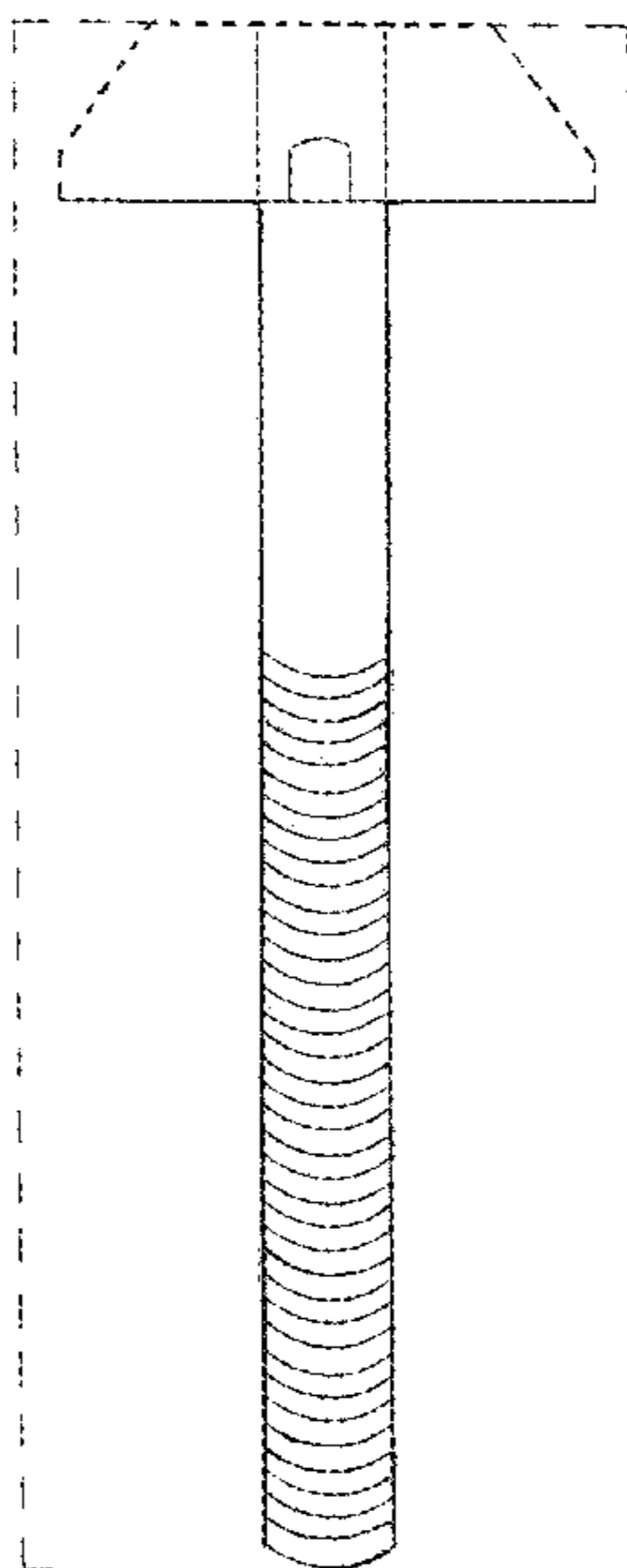
FIG. 6 is a right elevational view of the shoe ruler shown in FIG. 5 with the edge of the heel portion shown in phantom for environmental purposes, the left side being a mirror image.

FIG. 7 is a front elevational view of the shoe ruler shown in FIG. 5 as viewed from the top end of FIGS. 5 and 6 with the edge of the heel portion shown in phantom for environmental purposes.

FIG. 8 is a rear elevational view of the shoe ruler shown in FIG. 5 as viewed from the bottom end of FIGS. 5 and 6 with the edge of the heel portion shown in phantom for environmental purposes, and showing the tab mounted flush with the heel engaging wall on the heel portion; and,

FIG. 9 is a bottom elevational view of the shoe ruler shown in FIG. 5.

1 Claim, 4 Drawing Sheets



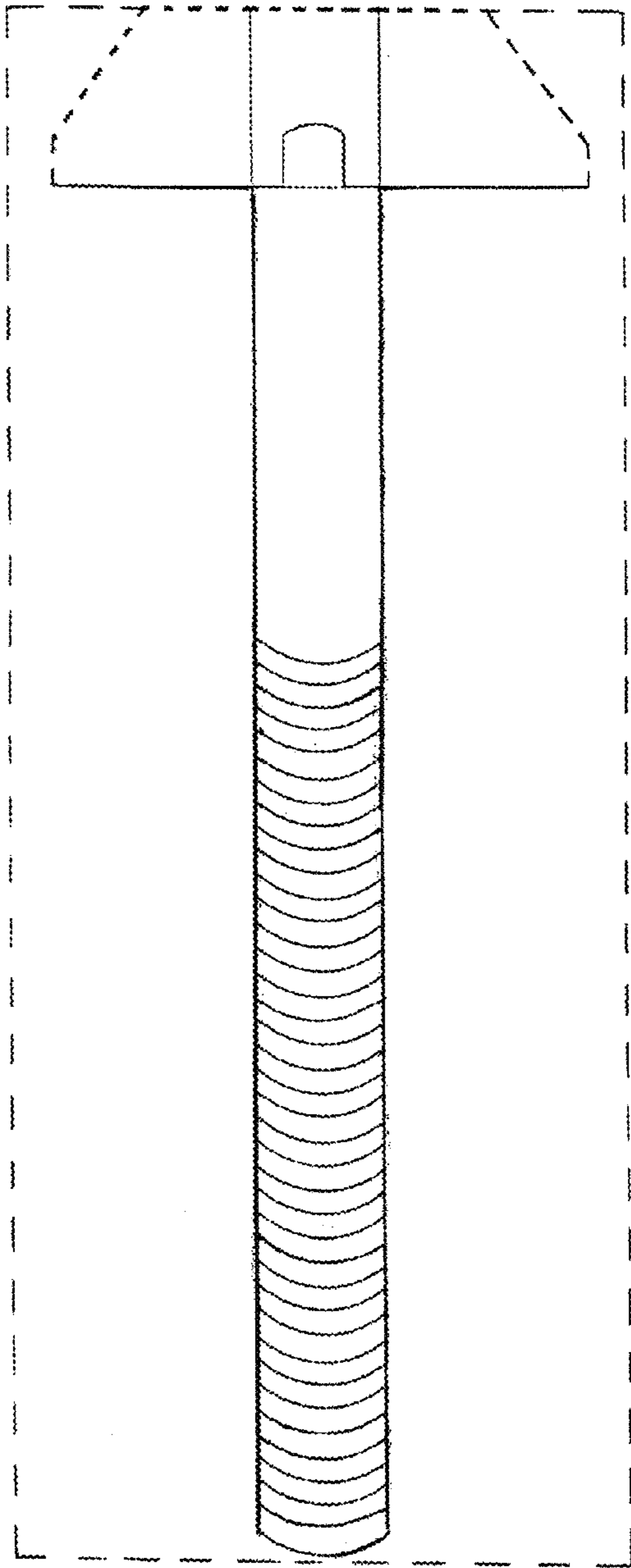


FIG. 1

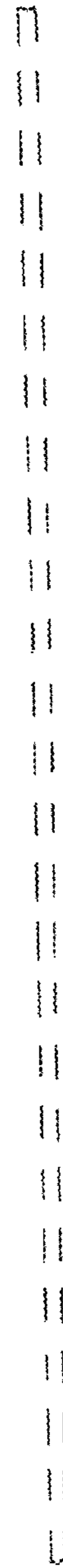


FIG. 2

FIG. 3

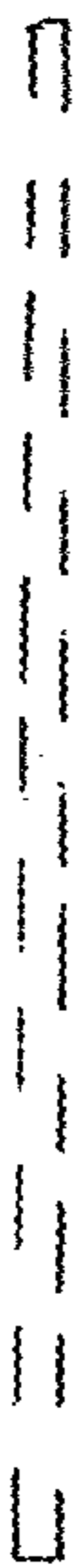


FIG. 4

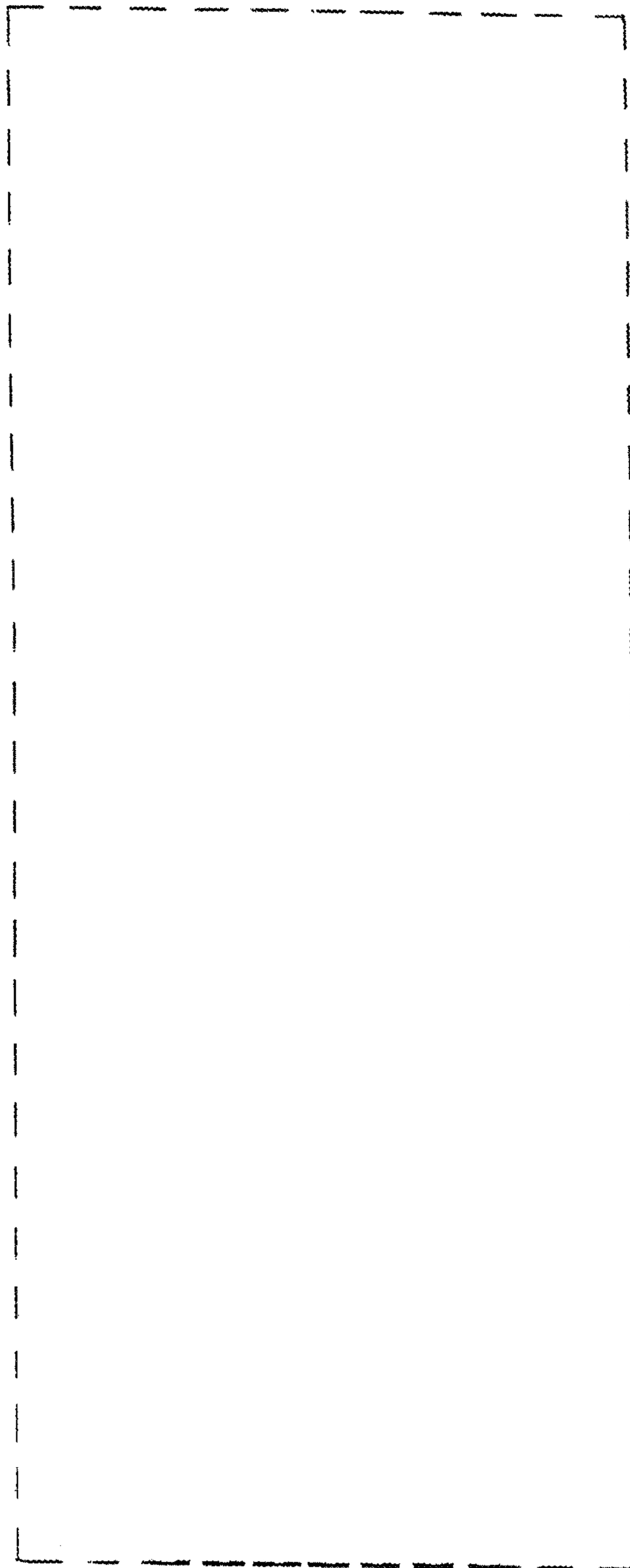


FIG. 5

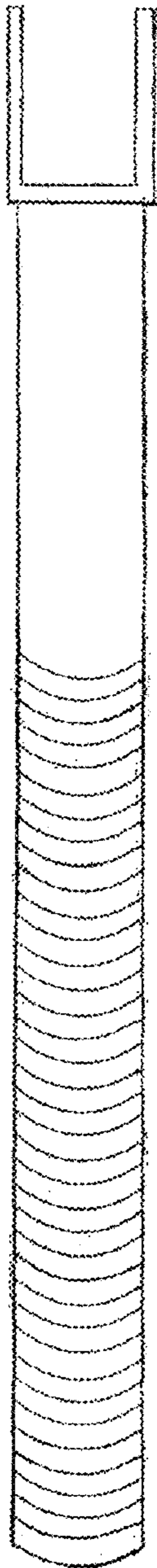


FIG. 6

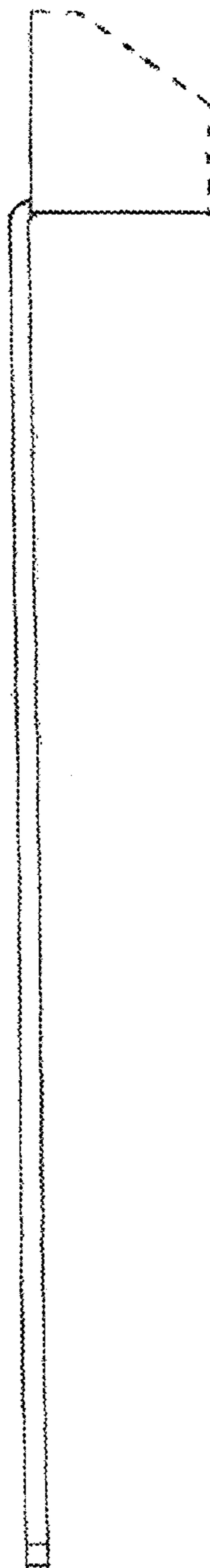


FIG. 8

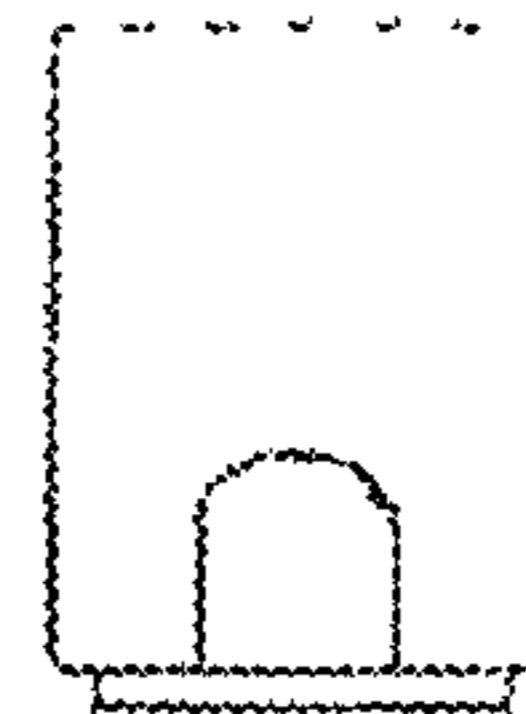


FIG. 7

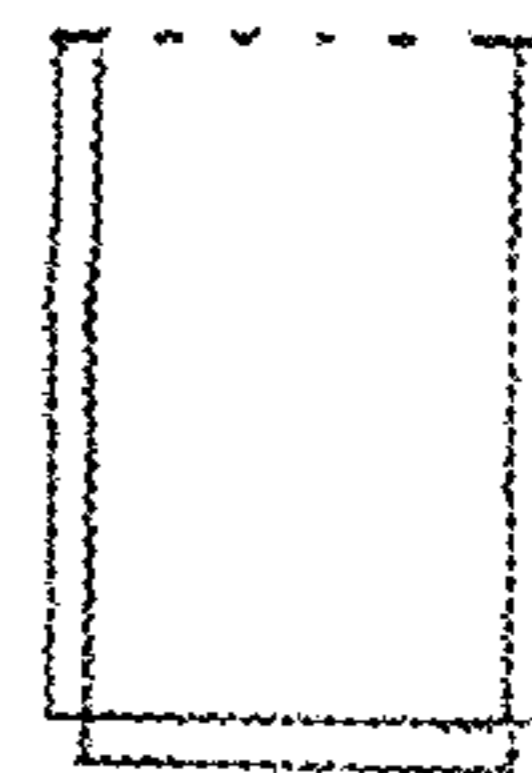


FIG. 9

