



US00D694134S

(12) **United States Design Patent**  
**Simoens**

(10) **Patent No.:** **US D694,134 S**

(45) **Date of Patent:** **\*\* Nov. 26, 2013**

(54) **WIRELESS SENSOR FOR MEASURING ENVIRONMENTAL CONDITIONS FOR PLANTS**

D632,596 S \* 2/2011 Marsden et al. .... D10/56  
D632,597 S \* 2/2011 Marsden et al. .... D10/56  
D636,280 S \* 4/2011 Fischer et al. .... D10/56

\* cited by examiner

(71) Applicant: **PARROT**, Paris (FR)

*Primary Examiner* — Antoine D Davis

(72) Inventor: **Edouard Simoens**, Paris (FR)

(74) *Attorney, Agent, or Firm* — Marshall, Gerstein & Borun LLP

(73) Assignee: **PARROT**, Paris (FR)

(\*\*) Term: **14 Years**

(57) **CLAIM**

The ornamental design for a wireless sensor for measuring environmental conditions for plants, as shown.

(21) Appl. No.: **29/441,194**

**DESCRIPTION**

(22) Filed: **Jan. 2, 2013**

(51) **LOC (9) Cl.** ..... **10-04**

(52) **U.S. Cl.**  
USPC ..... **D10/56; D10/53**

(58) **Field of Classification Search**  
USPC ..... D10/52, 53, 56; 73/23.2, 23.4, 29.01, 73/31.01, 31.05, 73-75, 170.16, 170.17, 73/170.21, 170.26, 335.04; 200/61.04; 324/664, 658, 694; 338/35; 340/500, 340/501, 506, 517, 521, 539.11, 539.26, 340/539.27, 539.28, 545.2, 546, 577, 580, 340/584, 586, 601-605; 702/150  
See application file for complete search history.

FIG. 1 is a front elevation view of a wireless sensor for measuring environmental conditions for plants that has the design.

FIG. 2 is a back elevation view of the wireless sensor for measuring environmental conditions for plants.

FIG. 3 is left-side elevation view of the wireless sensor for measuring environmental conditions for plants.

FIG. 4 is a right-side elevation view of the wireless sensor for measuring environmental conditions for plants.

FIG. 5 is a top plan view of the wireless sensor for measuring environmental conditions for plants.

FIG. 6 is a bottom plan view of the wireless sensor for measuring environmental conditions for plants; and,

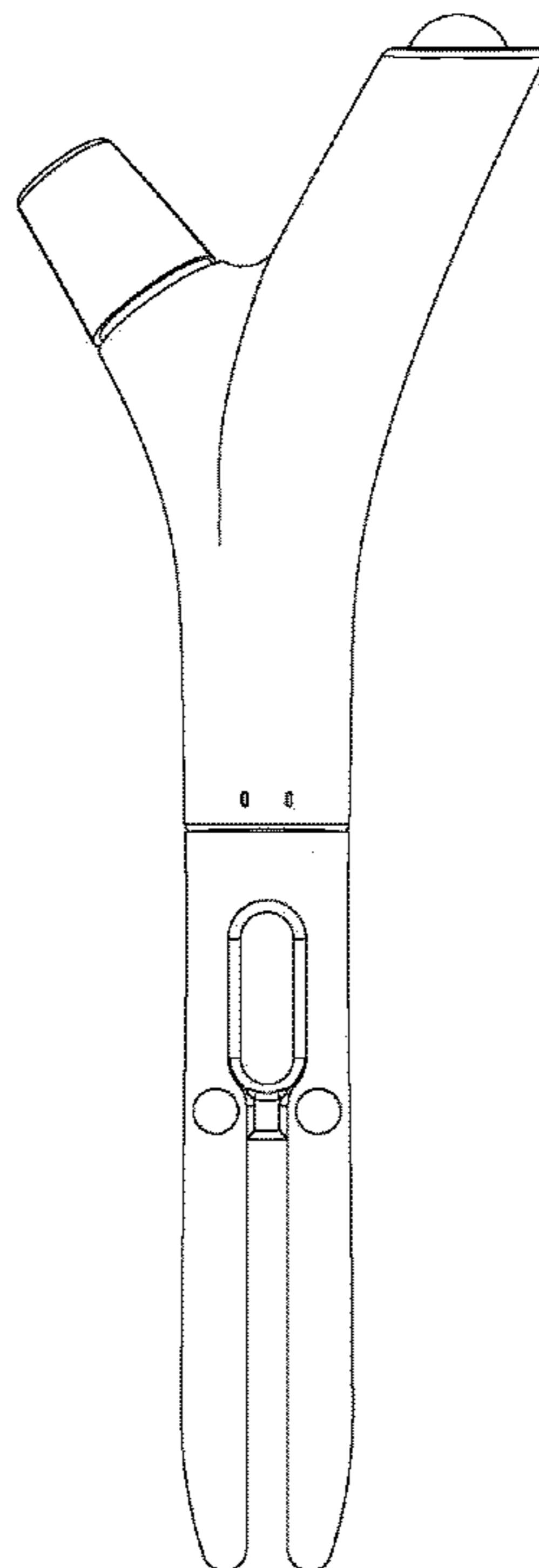
FIG. 7 is a front, top, and left-side view of the wireless sensor for measuring environmental conditions for plants.

(56) **References Cited**

**U.S. PATENT DOCUMENTS**

D248,150 S \* 6/1978 Koch ..... D10/56

**1 Claim, 5 Drawing Sheets**



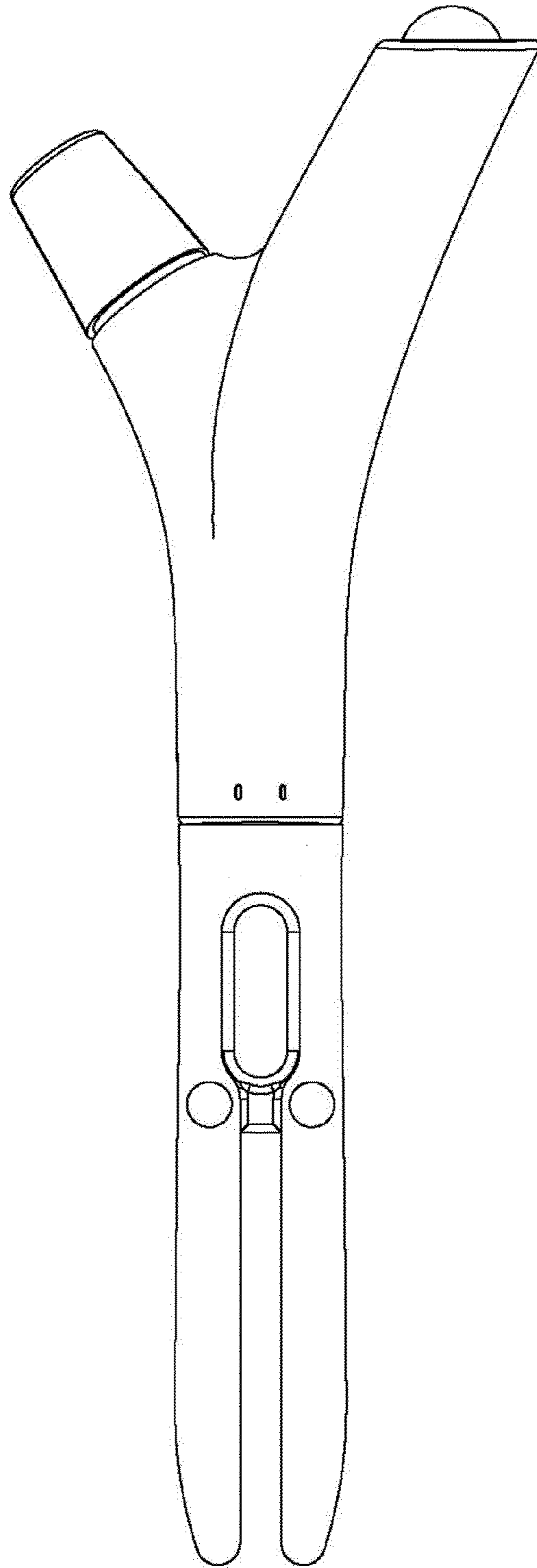


Fig. 1

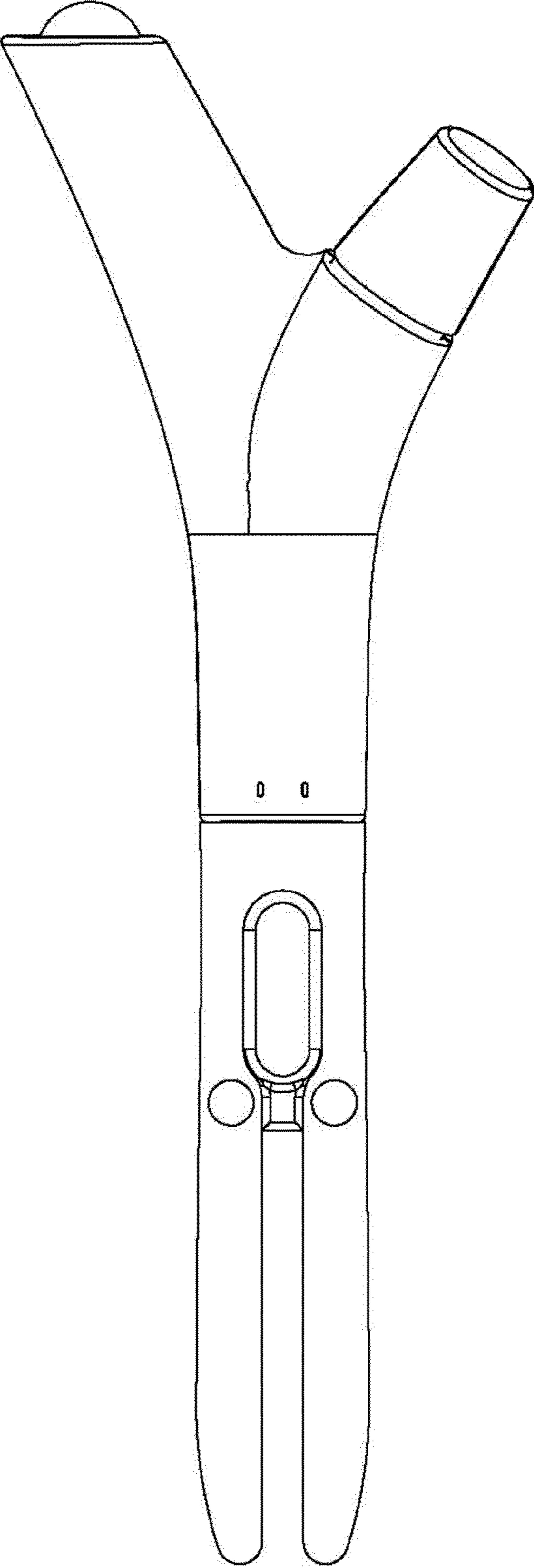


Fig. 2

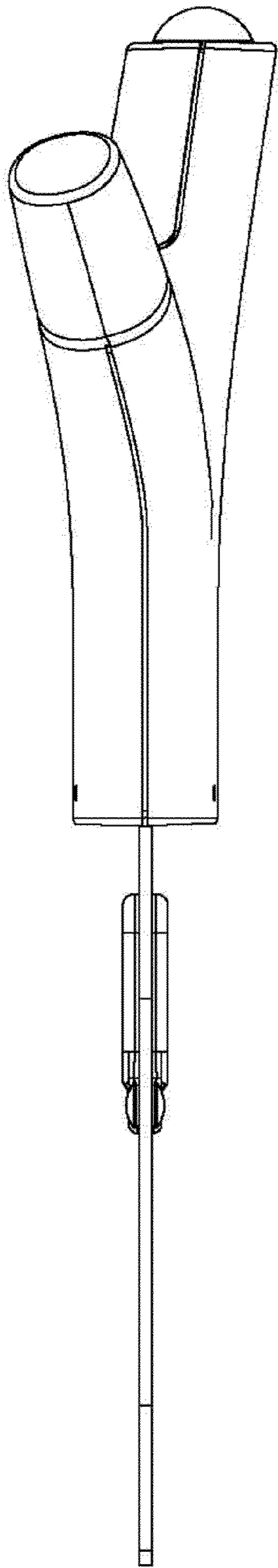


Fig. 3

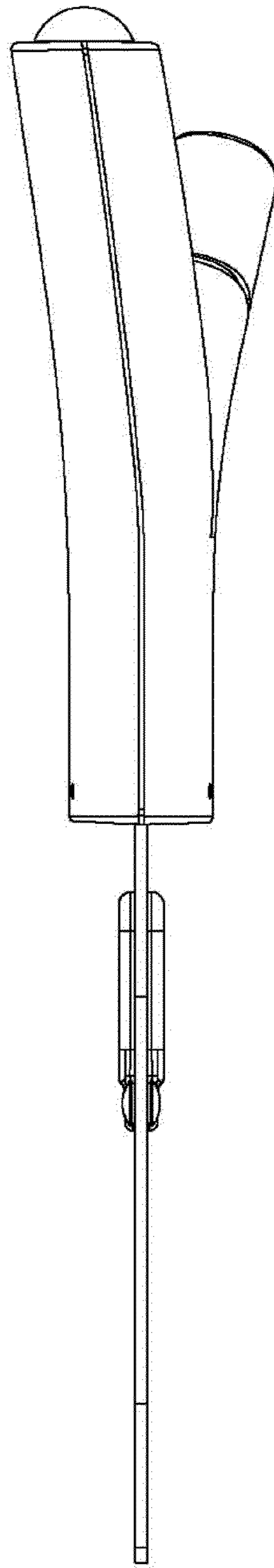


Fig. 4

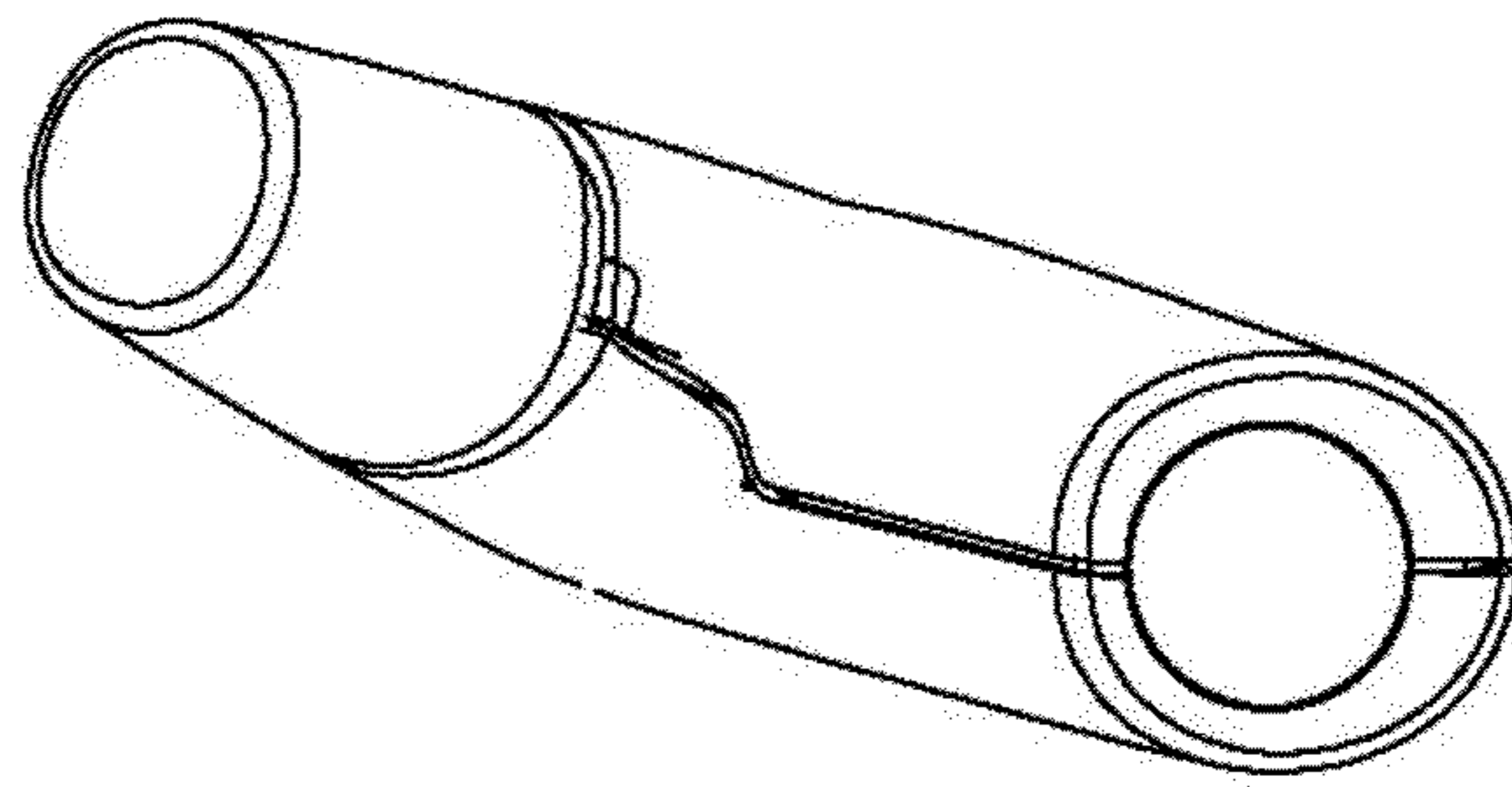


Fig. 5

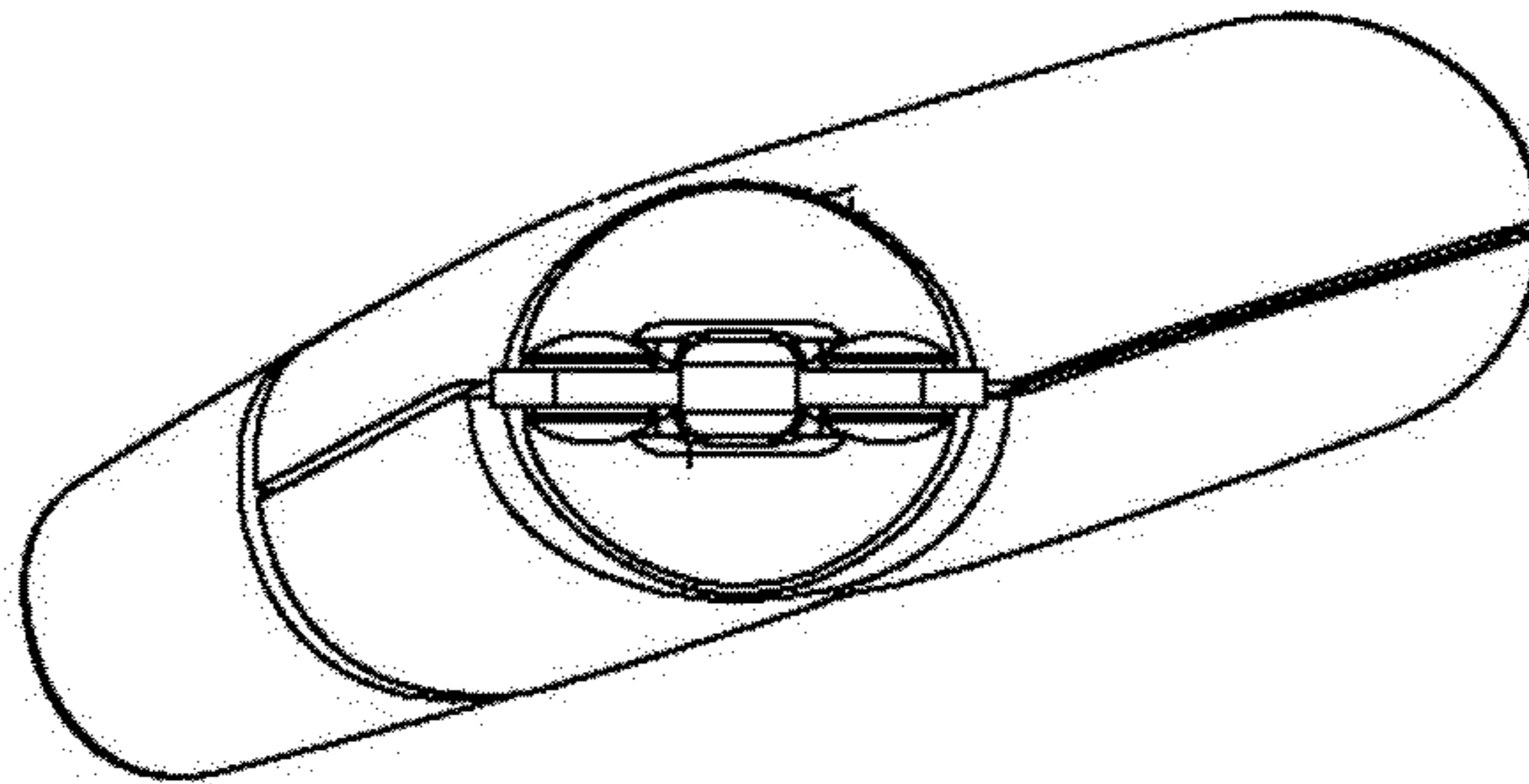


Fig. 6



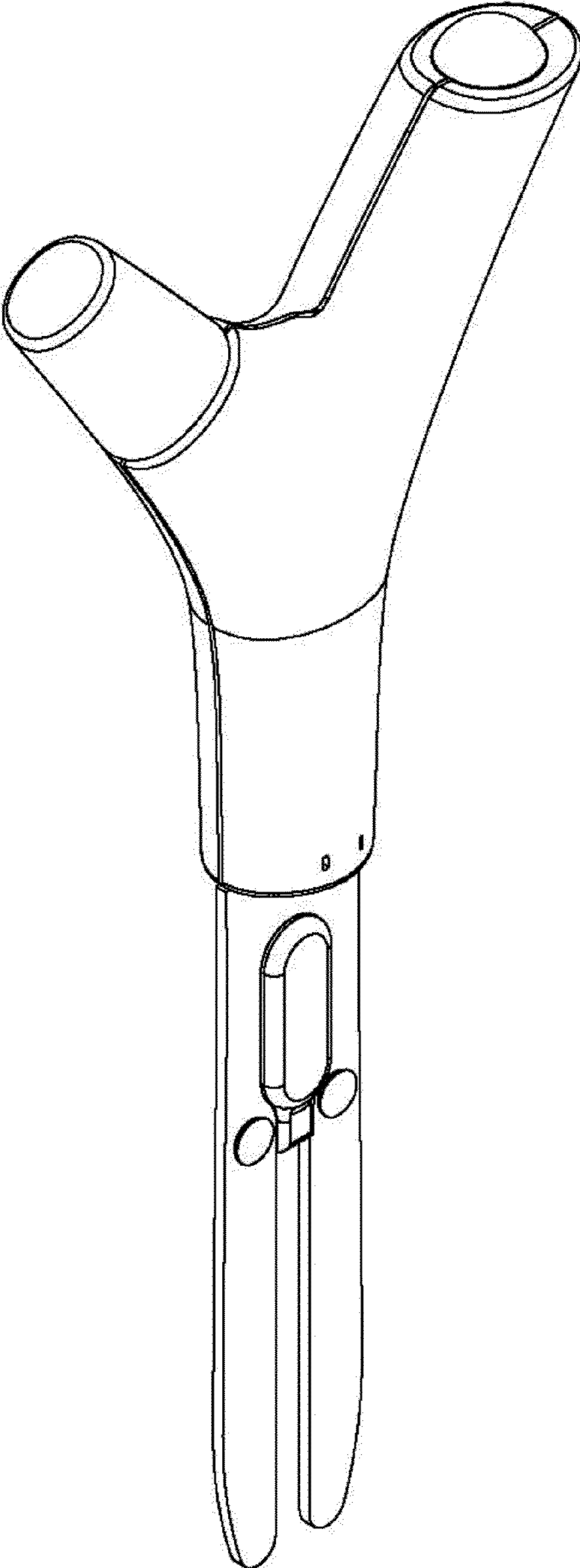


Fig. 7