



US00D694133S

(12) **United States Design Patent**  
**Dalene**

(10) **Patent No.:** **US D694,133 S**

(45) **Date of Patent:** **\*\* Nov. 26, 2013**

(54) **NIRS SENSOR ASSEMBLY**

(75) **Inventor:** **Matthew Dalene**, Clinton, CT (US)

(73) **Assignee:** **CAS Medical Systems, Inc.**, Branford, CT (US)

(\*\*) **Term:** **14 Years**

(21) **Appl. No.:** **29/429,448**

(22) **Filed:** **Aug. 10, 2012**

(51) **LOC (9) Cl.** ..... **10-04**

(52) **U.S. Cl.**  
USPC ..... **D10/56; D10/53; D10/81**

(58) **Field of Classification Search**  
USPC ..... D10/52, 53, 56, 81; 73/23.2, 23.4, 73/29.01, 31.01, 31.05, 73-75, 170.16, 73/170.17, 170.21, 170.26, 335.04; 200/61.04; 324/664, 658, 694; 338/35; 340/500, 501, 506, 517, 521, 539.11, 340/539.26, 539.27, 539.28, 545.2, 546, 340/577, 580, 584, 586, 601-605, 5.53, 340/5.83; 702/150; 600/309, 318, 319, 399, 600/344, 310, 500, 561, 549, 558; 382/115; 713/186; 351/219; 356/326, 328, 419

See application file for complete search history.

(56) **References Cited**

U.S. PATENT DOCUMENTS

D343,130 S *	1/1994	Gambill et al.	.....	D10/52
D527,290 S *	8/2006	Paul et al.	.....	D10/56
D606,427 S *	12/2009	Campbell et al.	.....	D10/56
D618,567 S *	6/2010	Brooking et al.	.....	D10/56
D631,378 S *	1/2011	Campbell et al.	.....	D10/56
8,109,882 B2 *	2/2012	Baker, Jr.	.....	600/500

\* cited by examiner

*Primary Examiner* — Antoine D Davis

(74) *Attorney, Agent, or Firm* — O'Shea Getz P.C.

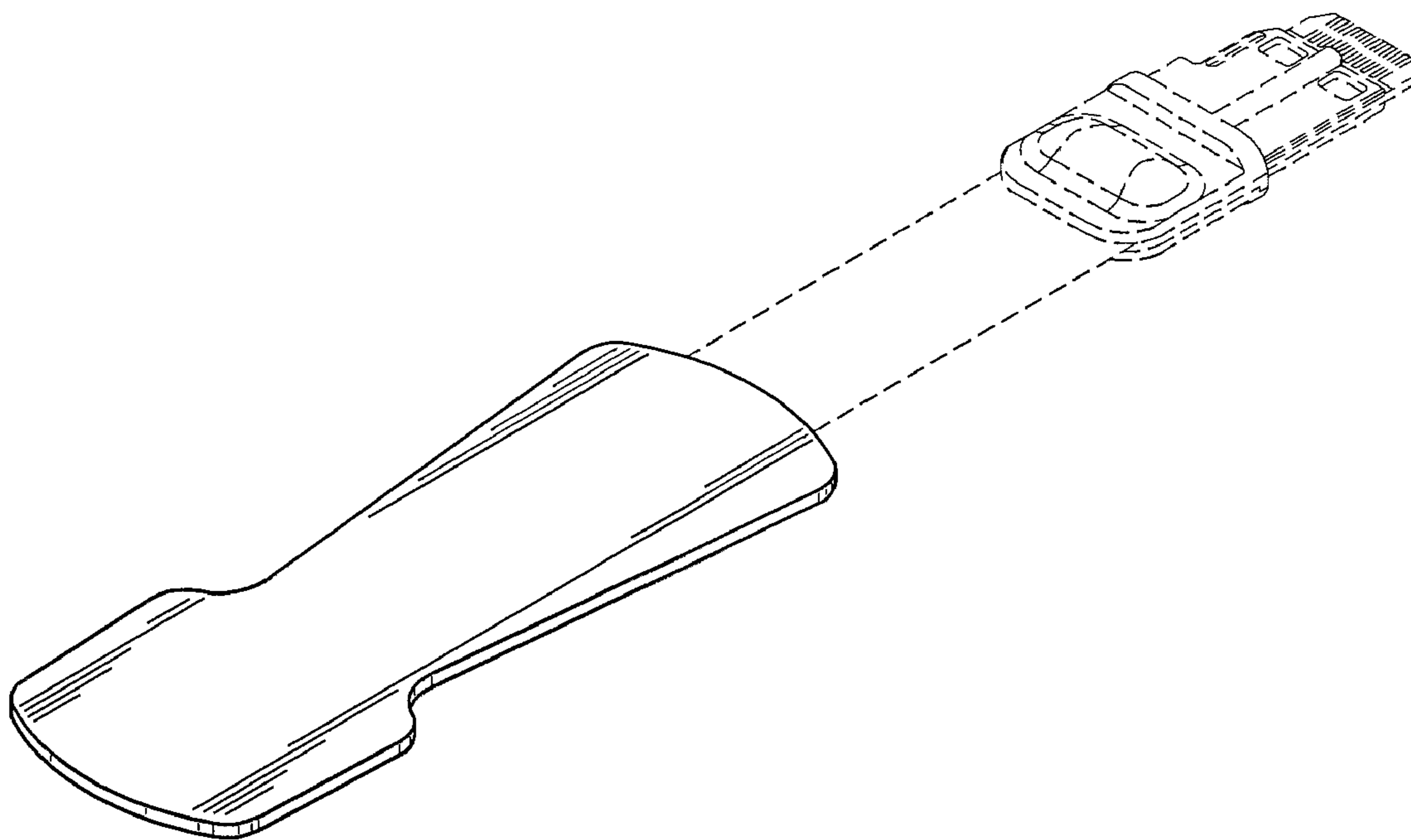
(57) **CLAIM**

The ornamental design of a near-infrared spectroscopy (NIRS) sensor assembly, as shown and described.

**DESCRIPTION**

FIG. 1 is a top side perspective view of a NIRS sensor assembly;  
FIG. 2 is a bottom side perspective view thereof;  
FIG. 3 is a front elevational view thereof;  
FIG. 4 is a back elevational view thereof;  
FIG. 5 is a left side elevational view thereof;  
FIG. 6 is a right side elevational view thereof;  
FIG. 7 is a top plan view thereof; and,  
FIG. 8 is a bottom plan view thereof.  
The broken line representations in the figures are for the purpose of illustration only and form no part of the claimed invention.

**1 Claim, 2 Drawing Sheets**



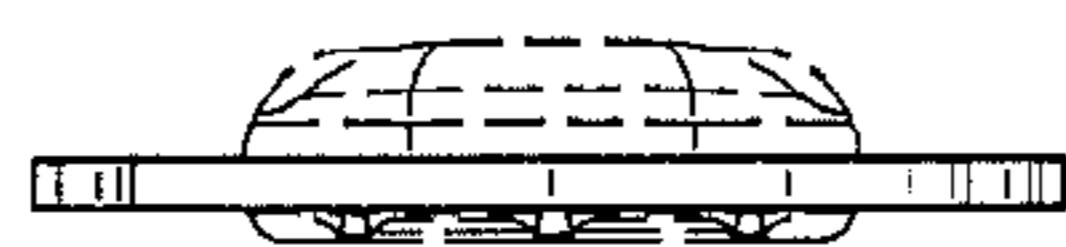
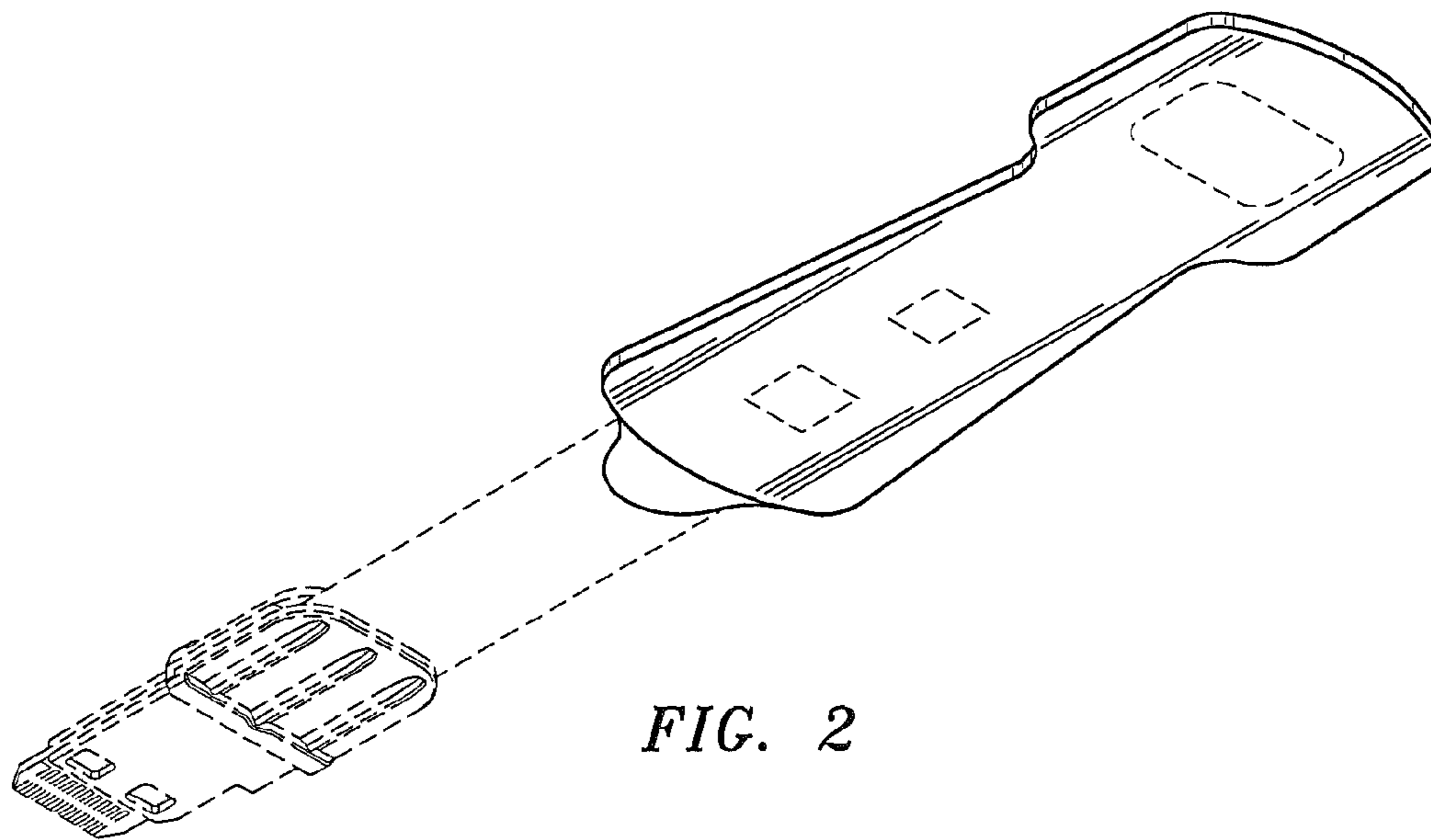
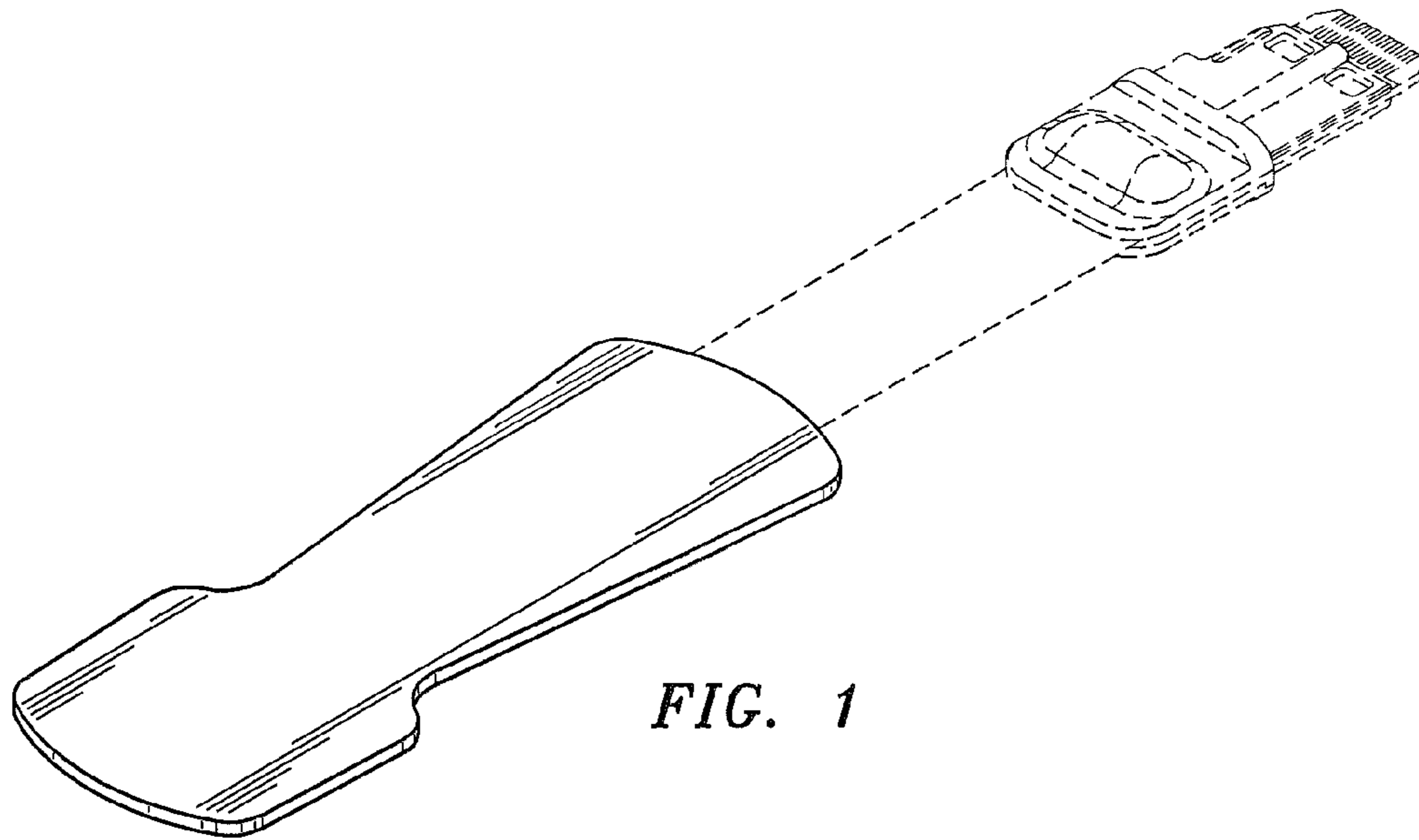




FIG. 5

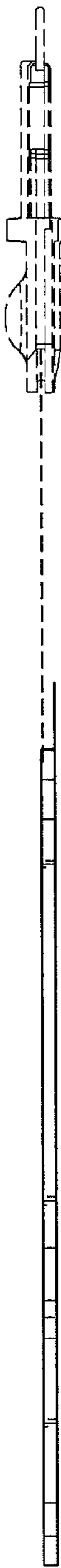


FIG. 6

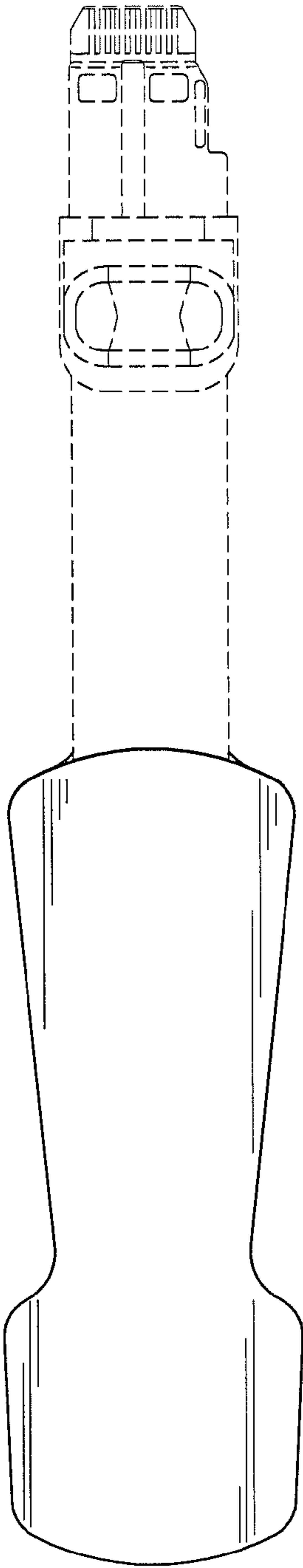


FIG. 7

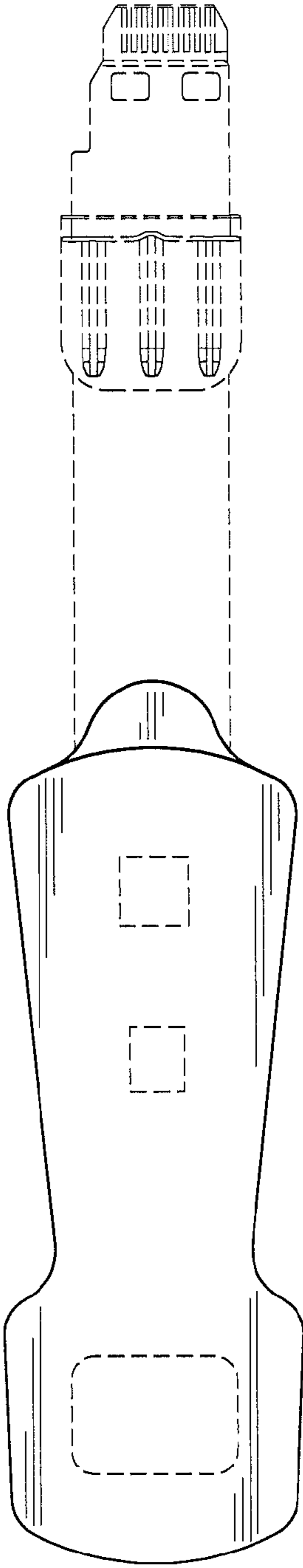


FIG. 8