



US00D694132S

(12) **United States Design Patent**
Mikami et al.

(10) **Patent No.:** **US D694,132 S**

(45) **Date of Patent:** **** Nov. 26, 2013**

(54) **RADIATION MEASURING APPARATUS**

(56) **References Cited**

(71) Applicant: **Fuji Electric Co., Ltd.**, Kawasaki (JP)

U.S. PATENT DOCUMENTS

(72) Inventors: **Kenta Mikami**, Aomori (JP); **Tomoya Nunomiya**, Tokyo (JP); **Kei Aoyama**, Tokyo (JP)

D462,493 S * 9/2002 Sivells et al. D34/12
D479,761 S * 9/2003 Tsai D34/24

* cited by examiner

(73) Assignee: **Fuji Electric Co., Ltd.**, Kawasaki-Shi (JP)

Primary Examiner — Antoine D Davis

(74) *Attorney, Agent, or Firm* — Oliff & Berridge, PLC

(**) Term: **14 Years**

(57) **CLAIM**

(21) Appl. No.: **29/440,785**

The ornamental design for a radiation measuring apparatus, as shown and described.

(22) Filed: **Dec. 27, 2012**

DESCRIPTION

(30) **Foreign Application Priority Data**

Aug. 9, 2012 (JP) 2012-019254

(51) **LOC (9) Cl.** **10-04**

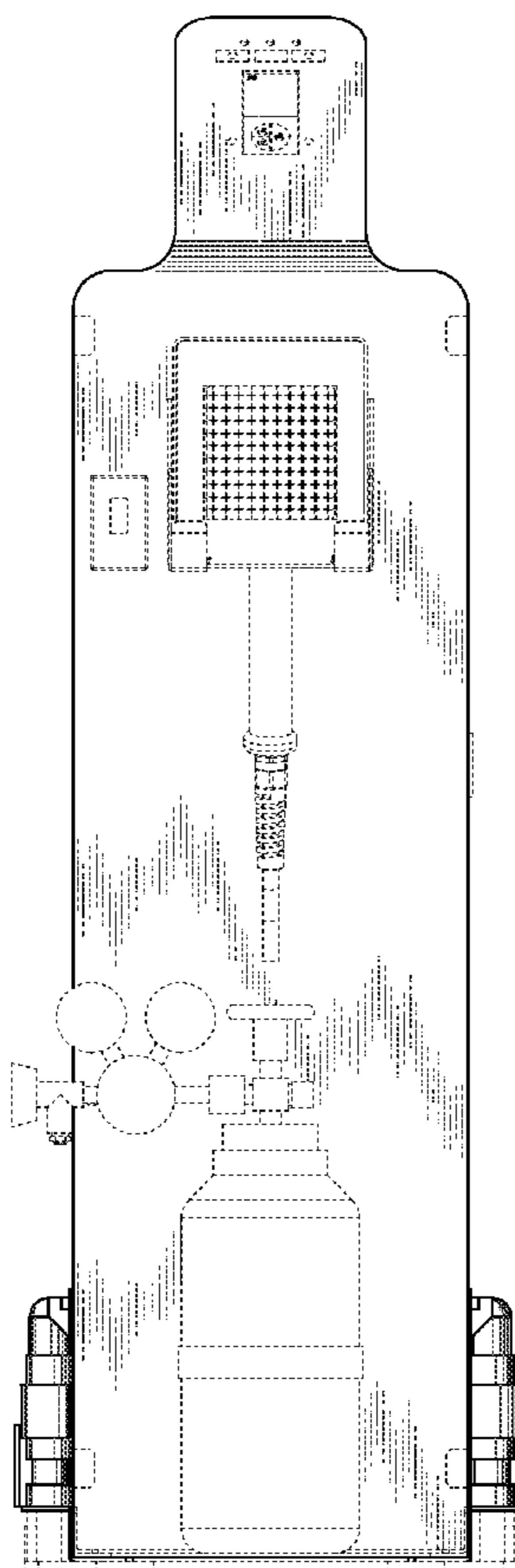
(52) **U.S. Cl.**
USPC **D10/47**

(58) **Field of Classification Search**
USPC D10/47; 250/269.1–269.8, 265, 363.01, 250/363.05, 363.02, 431, 504 H, 504 R, 362, 250/361 R, 368, 483.1; 257/429, E31.086; 438/56; D34/12, 14, 16, 19–27

See application file for complete search history.

FIG. 1 is a front view of a radiation measuring apparatus;
FIG. 2 is a rear view thereof;
FIG. 3 is a top view thereof;
FIG. 4 is a bottom view thereof;
FIG. 5 is a right side view thereof;
FIG. 6 is a left side view thereof;
FIG. 7 is a rear, right side perspective view thereof; and,
FIG. 8 is a front, right-side perspective view thereof.
The broken lines depict environmental subject matter only and form no part of the claimed design.

1 Claim, 8 Drawing Sheets



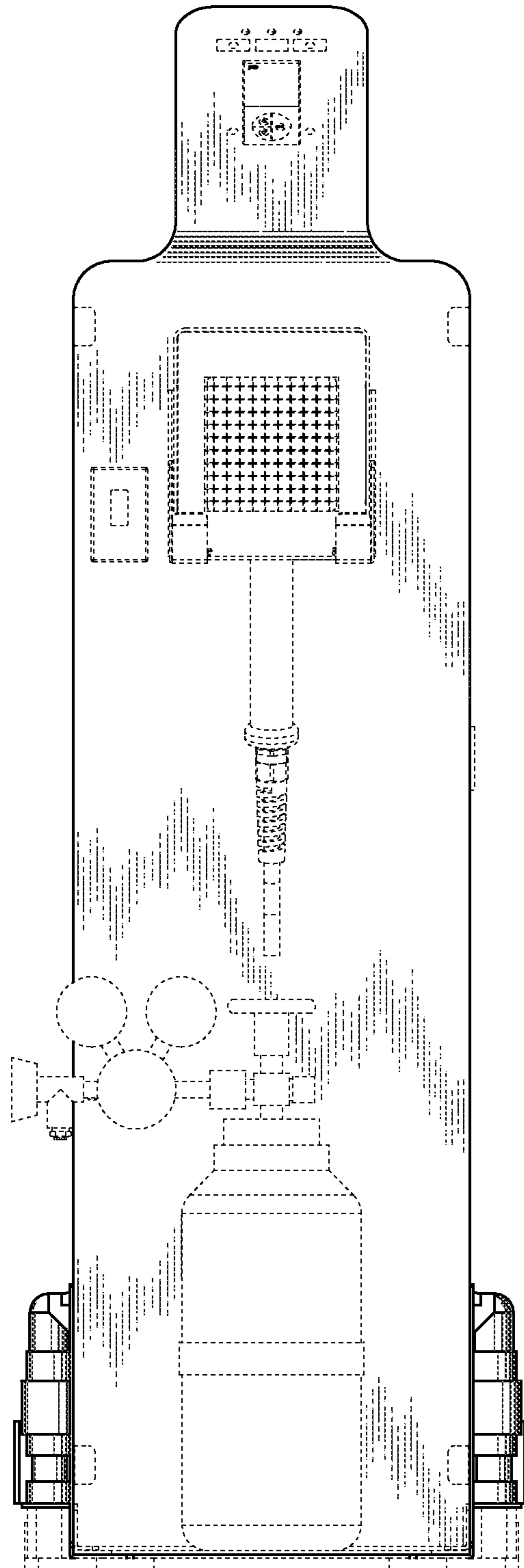


FIG. 1

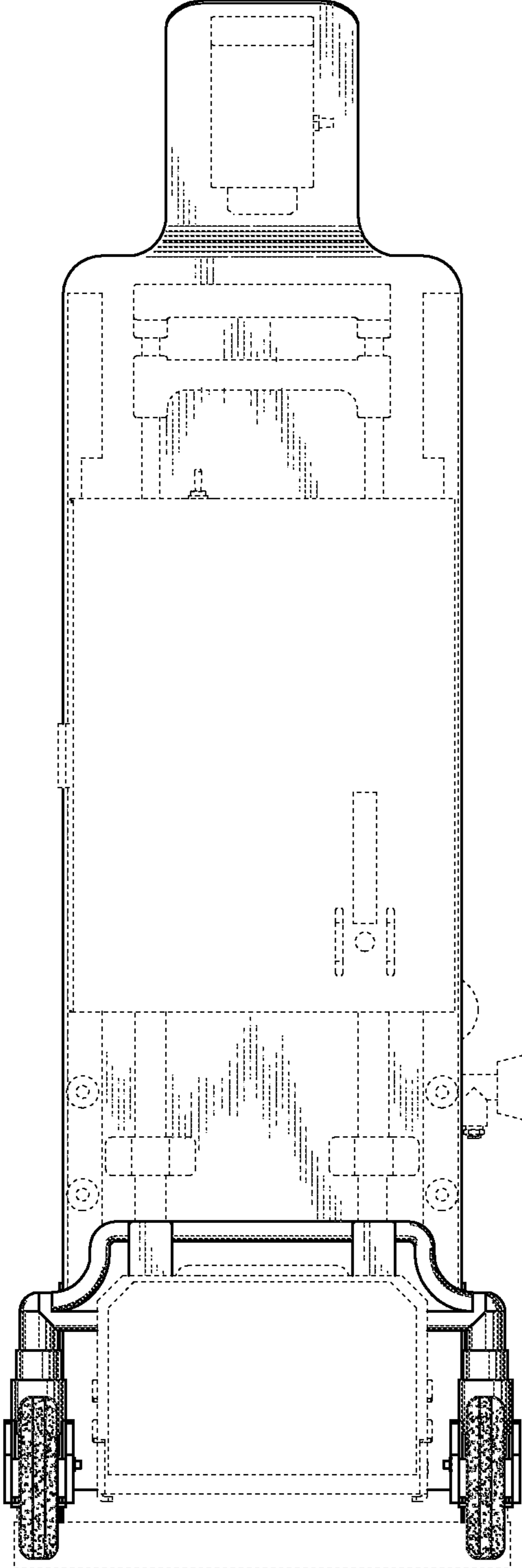


FIG. 2

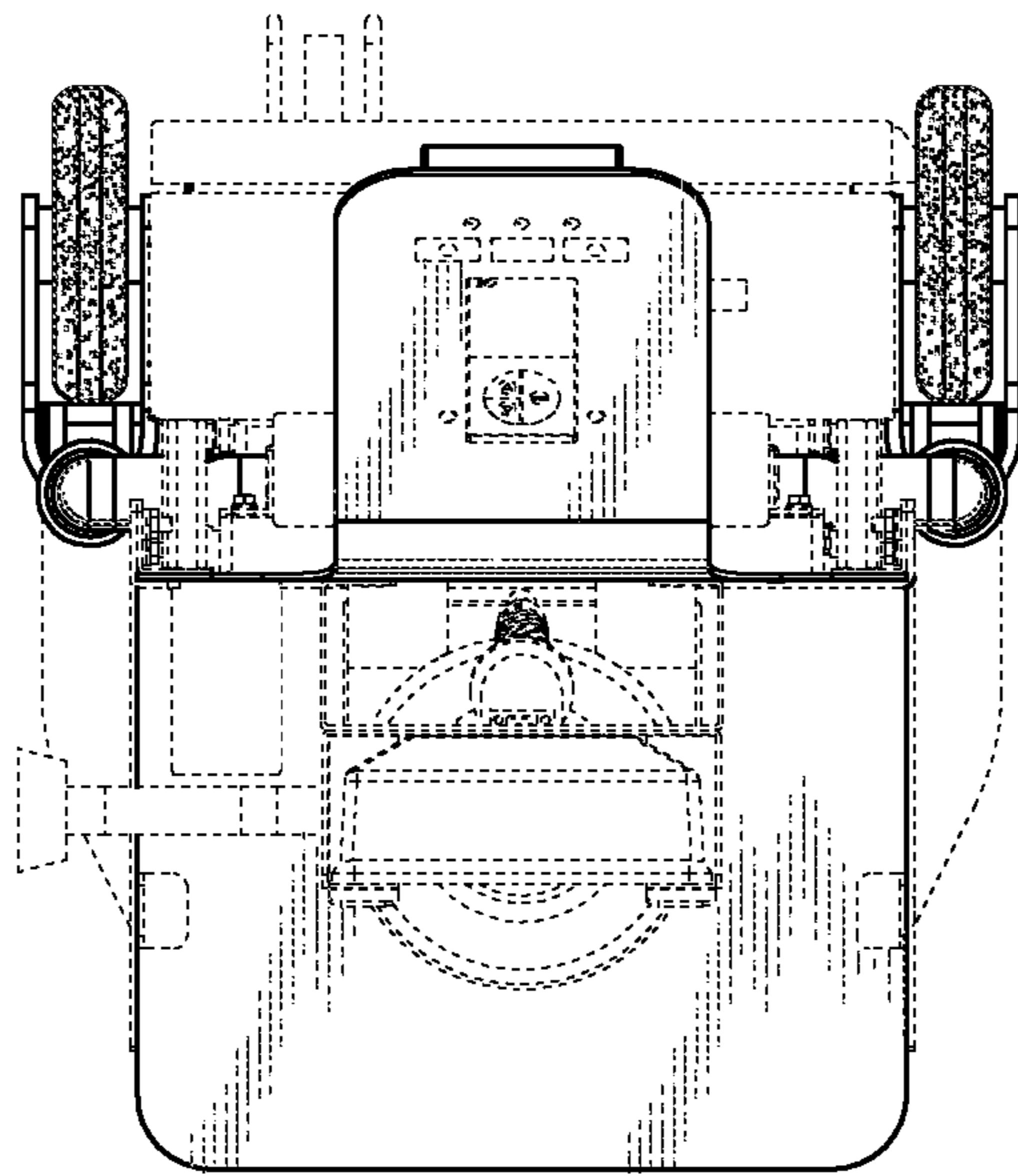


FIG.3

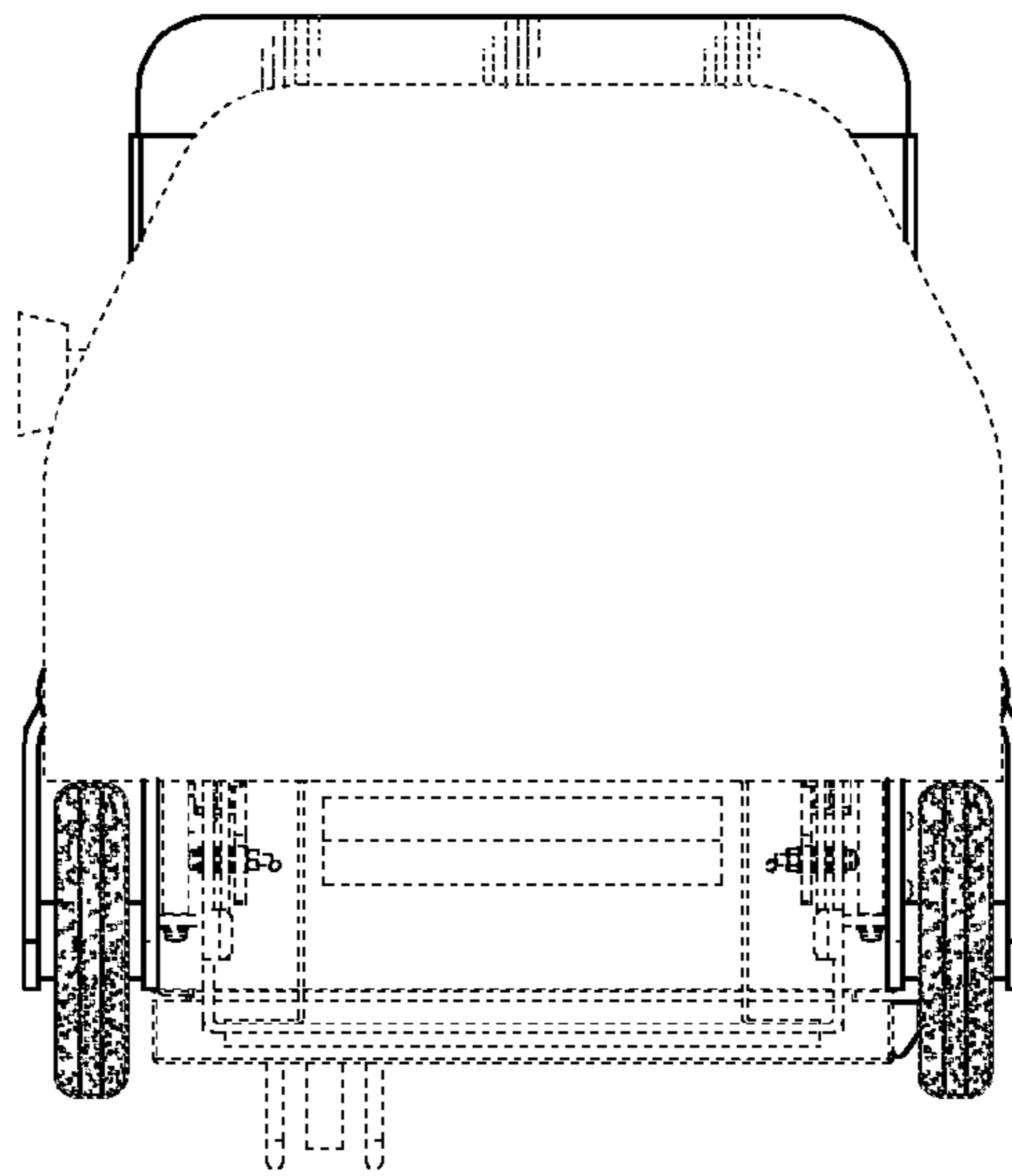


FIG.4

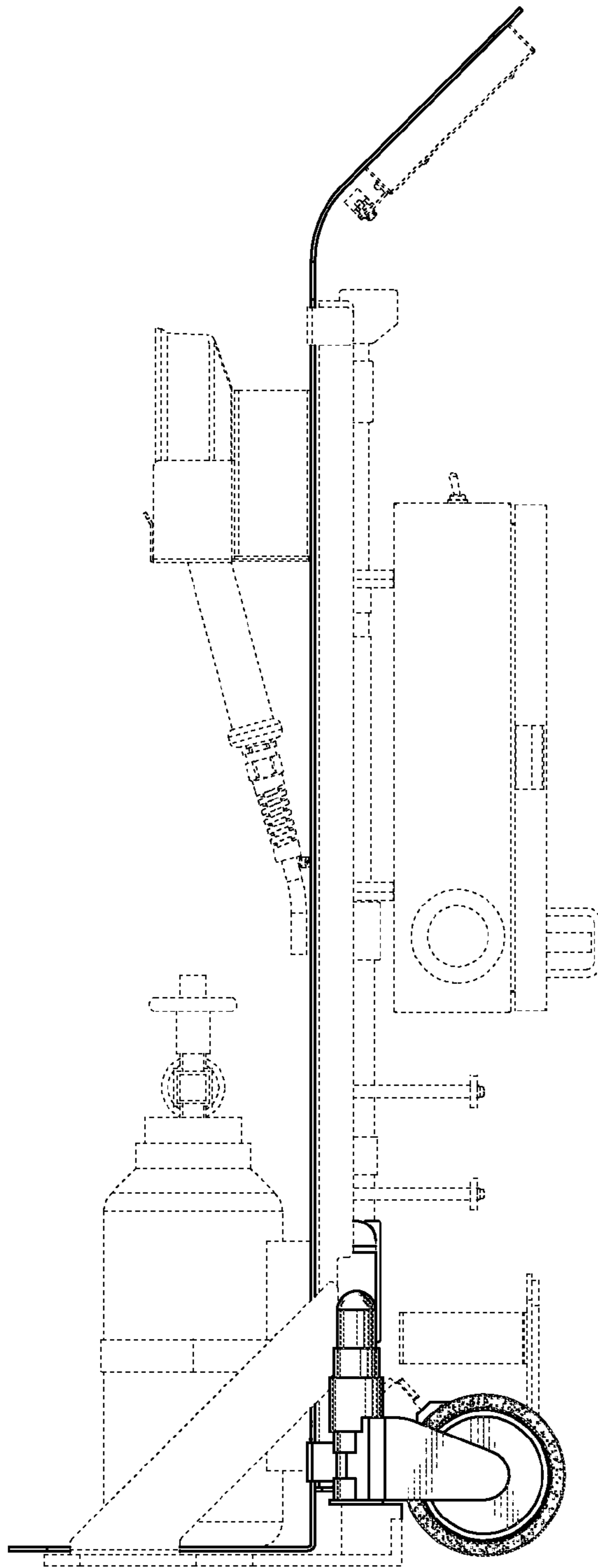


FIG.5

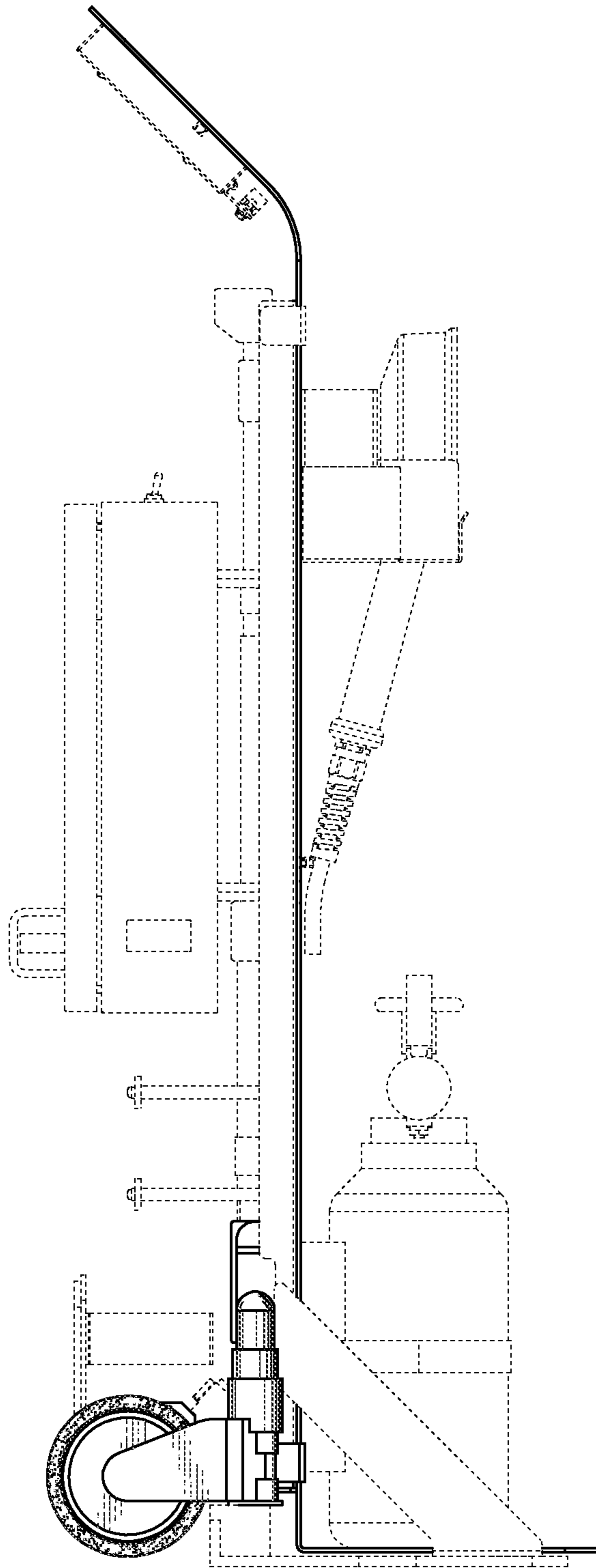


FIG. 6

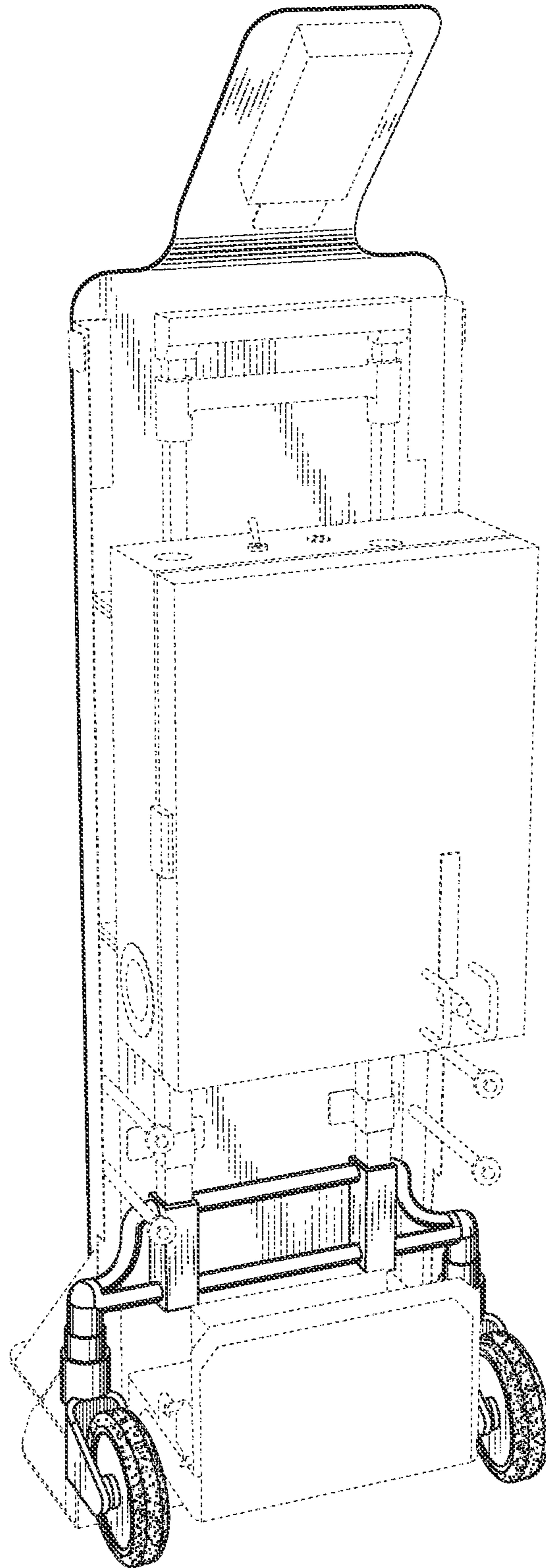


FIG. 7

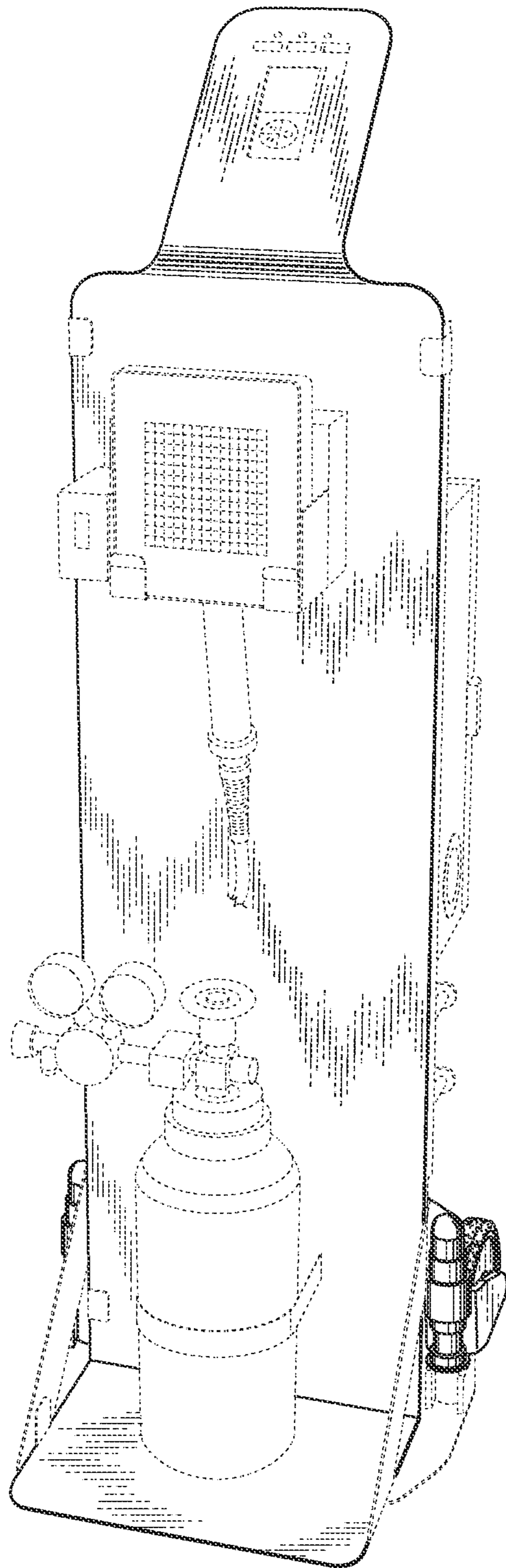


FIG.8