



US00D694129S

(12) **United States Design Patent**  
**Mais**

(10) **Patent No.:** **US D694,129 S**

(45) **Date of Patent:** **\*\* Nov. 26, 2013**

(54) **WATCH CASE**

(71) Applicant: **Joel Micheal Mais**, Tamarac, FL (US)

(72) Inventor: **Joel Micheal Mais**, Tamarac, FL (US)

(\*\*) Term: **14 Years**

(21) Appl. No.: **29/451,147**

(22) Filed: **Mar. 28, 2013**

(51) **LOC (9) Cl.** ..... **10-02**

(52) **U.S. Cl.**  
USPC ..... **D10/38**

(58) **Field of Classification Search**  
USPC ..... D10/30-39, 122-132; 368/276, 281,  
368/282

See application file for complete search history.

(56) **References Cited**

**U.S. PATENT DOCUMENTS**

D69,576 S *	3/1926	Eppenstein	.....	D10/39
1,634,447 A *	7/1927	Bowen	.....	368/281
1,653,535 A *	12/1927	Bonhajo	.....	24/265 R
2,482,660 A *	9/1949	Dewey	.....	224/179
D198,577 S *	7/1964	Lavitol	.....	D10/124
D248,224 S *	6/1978	Sulek	.....	D10/38
D263,378 S *	3/1982	Fukumura	.....	D10/39
D313,187 S *	12/1990	Muller	.....	D10/39
D325,878 S *	5/1992	Bulgari	.....	D10/39

D336,617 S *	6/1993	Perrin et al.	.....	D10/39
D340,649 S *	10/1993	Iwamura	.....	D10/32
D361,530 S *	8/1995	Bulgari	.....	D10/39
5,754,499 A *	5/1998	Lin	.....	368/88
D437,790 S *	2/2001	Isley et al.	.....	D10/31
D546,204 S *	7/2007	Wunderman	.....	D10/33

\* cited by examiner

*Primary Examiner* — Lucy Lieberman

(57) **CLAIM**

I claim the ornamental design for a watch case, as shown and described.

**DESCRIPTION**

FIG. 1 is a perspective view of the watch case, as viewed from the top showing my new design;

FIG. 2 is a bottom perspective view of a watch case showing my new design;

FIG. 3 is a top view of watch case shown in FIG. 1;

FIG. 4 is a bottom view of watch case shown in FIG. 1;

FIG. 5 is a front view of watch case shown in FIG. 1;

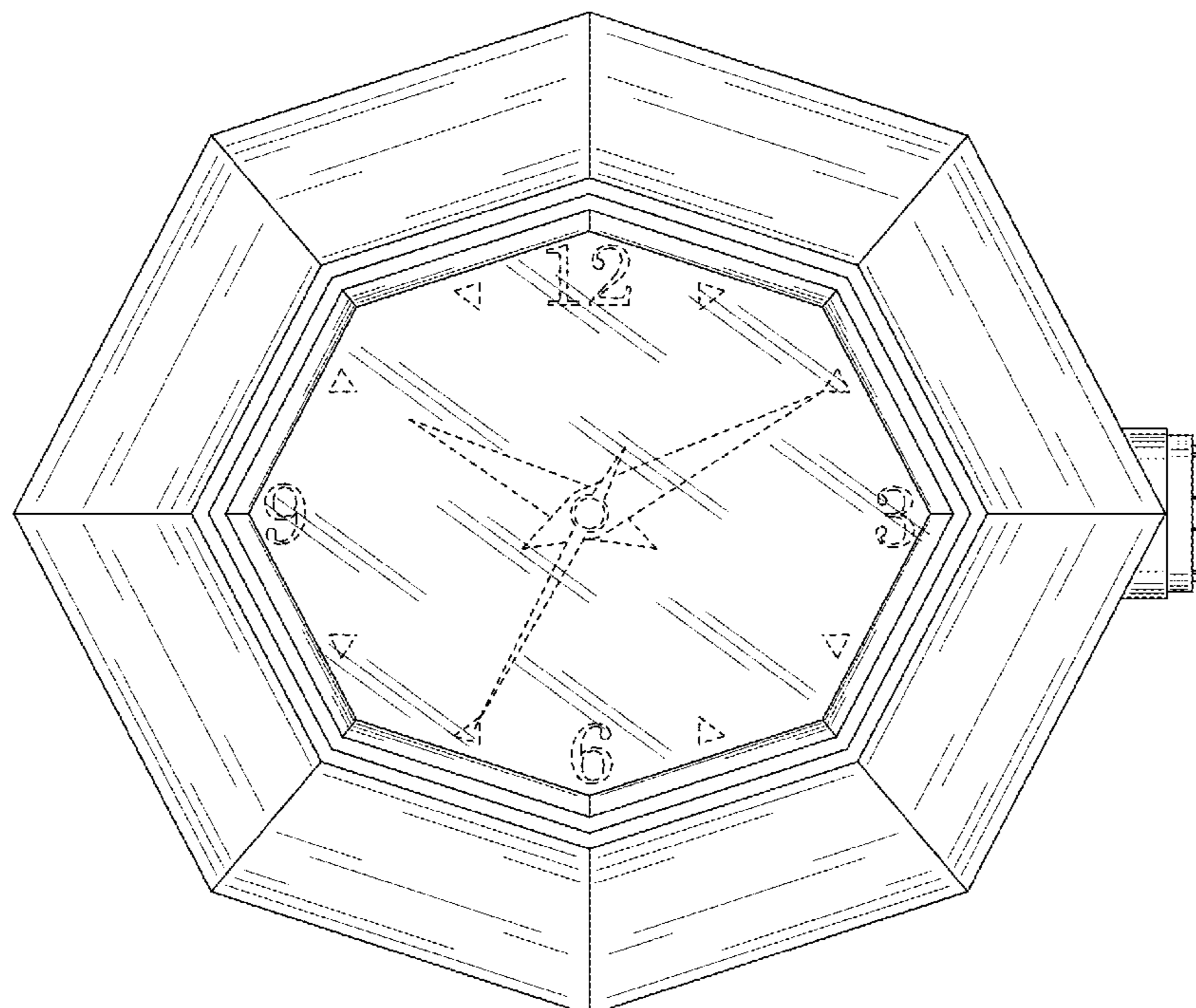
FIG. 6 is a back view of watch case shown in FIG. 1;

FIG. 7 is right side view of watch case shown in FIG. 1; and,

FIG. 8 is left side view of watch case show in FIG. 1.

The broken line showings of hands, numerals, indexes and bands in FIGS. 1, 2 and 3 are for illustrative purposes only and form no part of the claimed design.

**1 Claim, 8 Drawing Sheets**



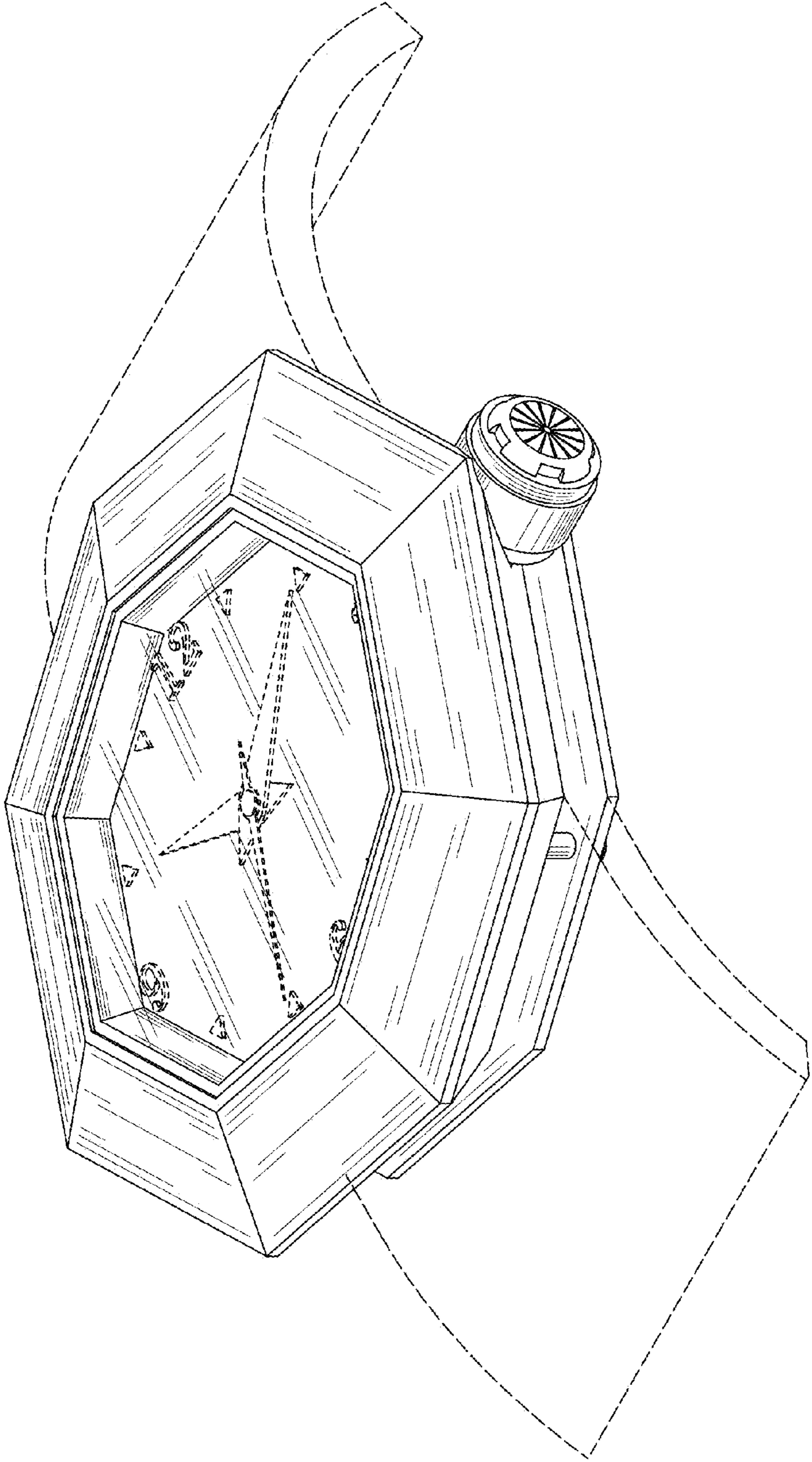


FIG. 1

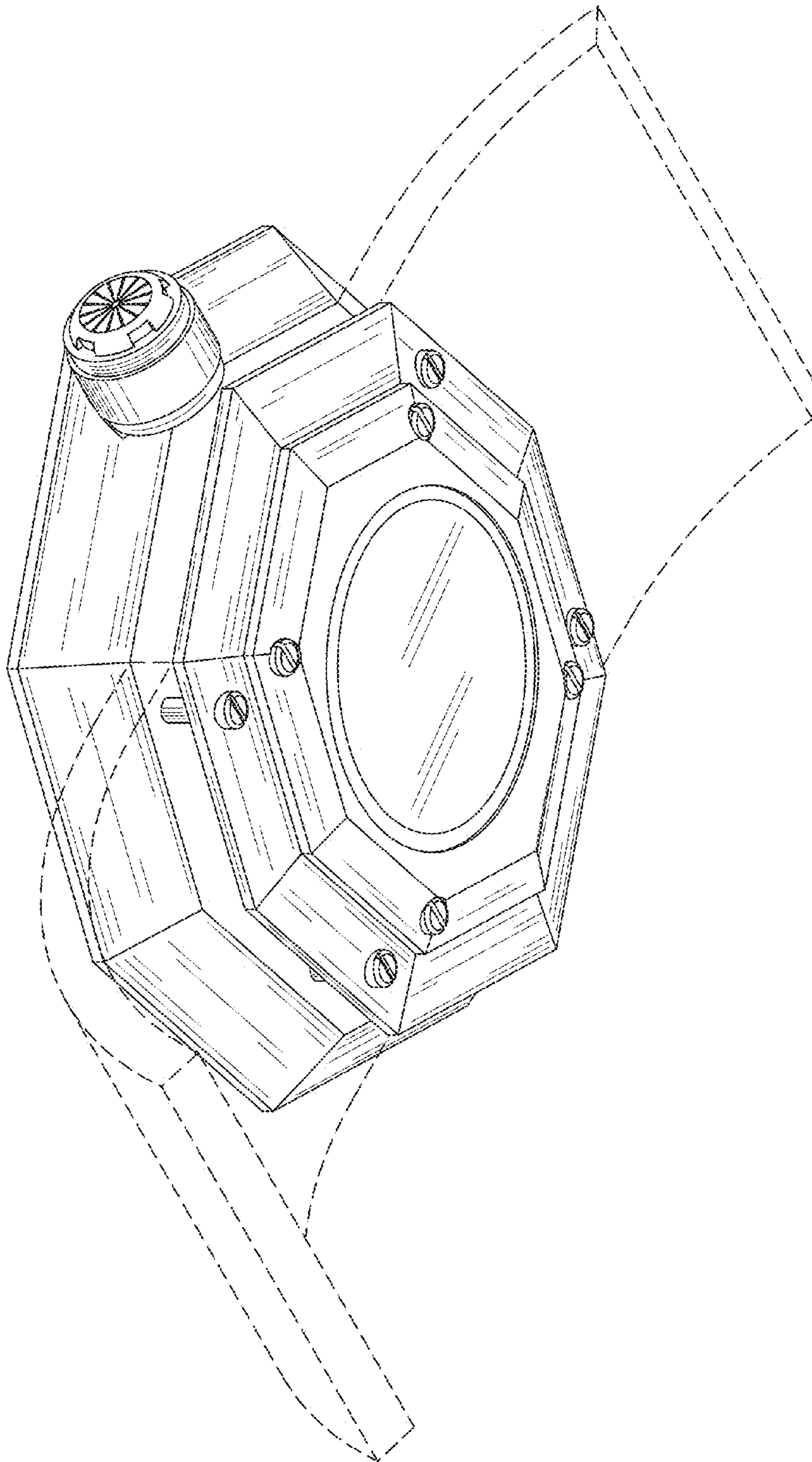


FIG. 2

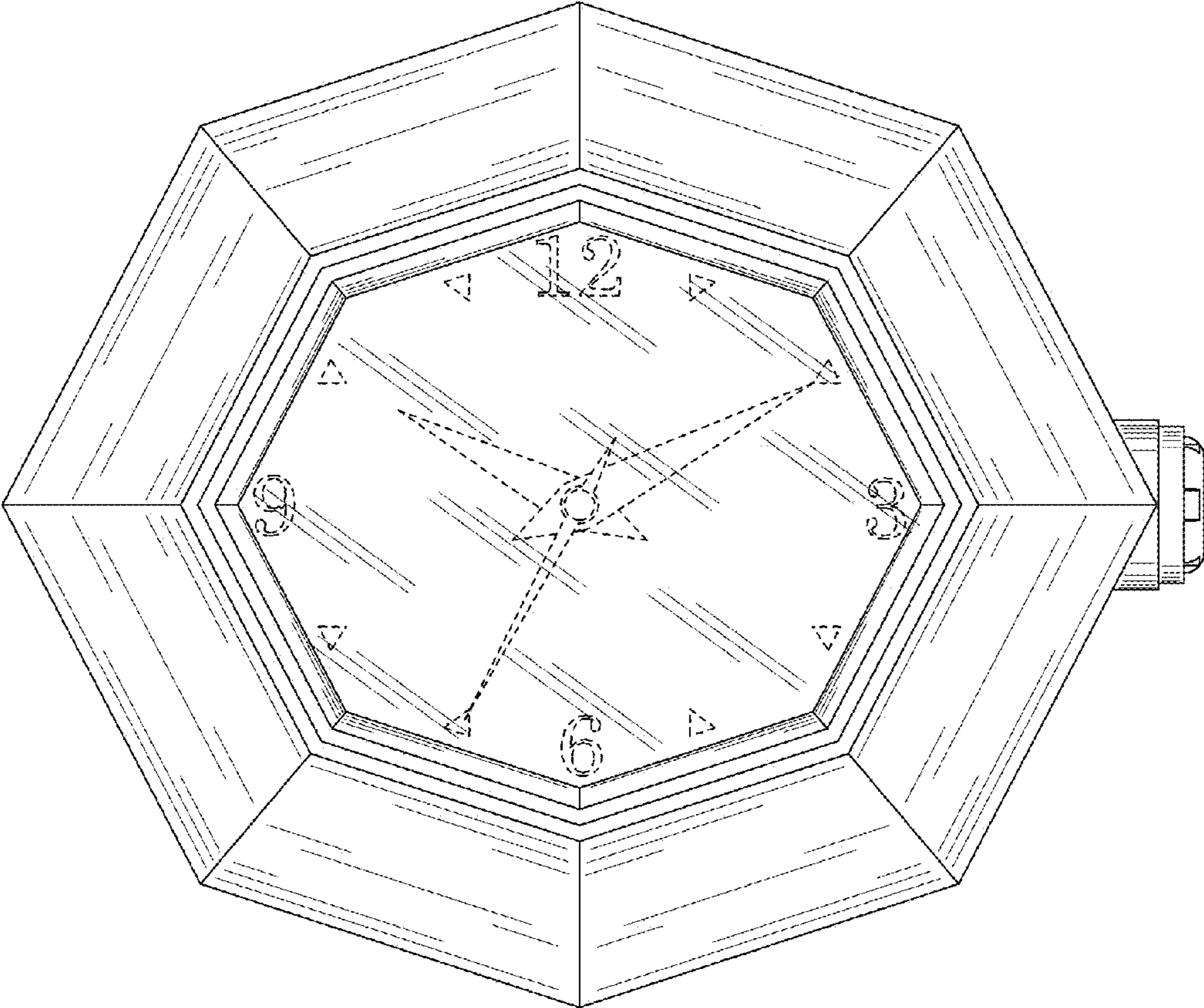


FIG. 3

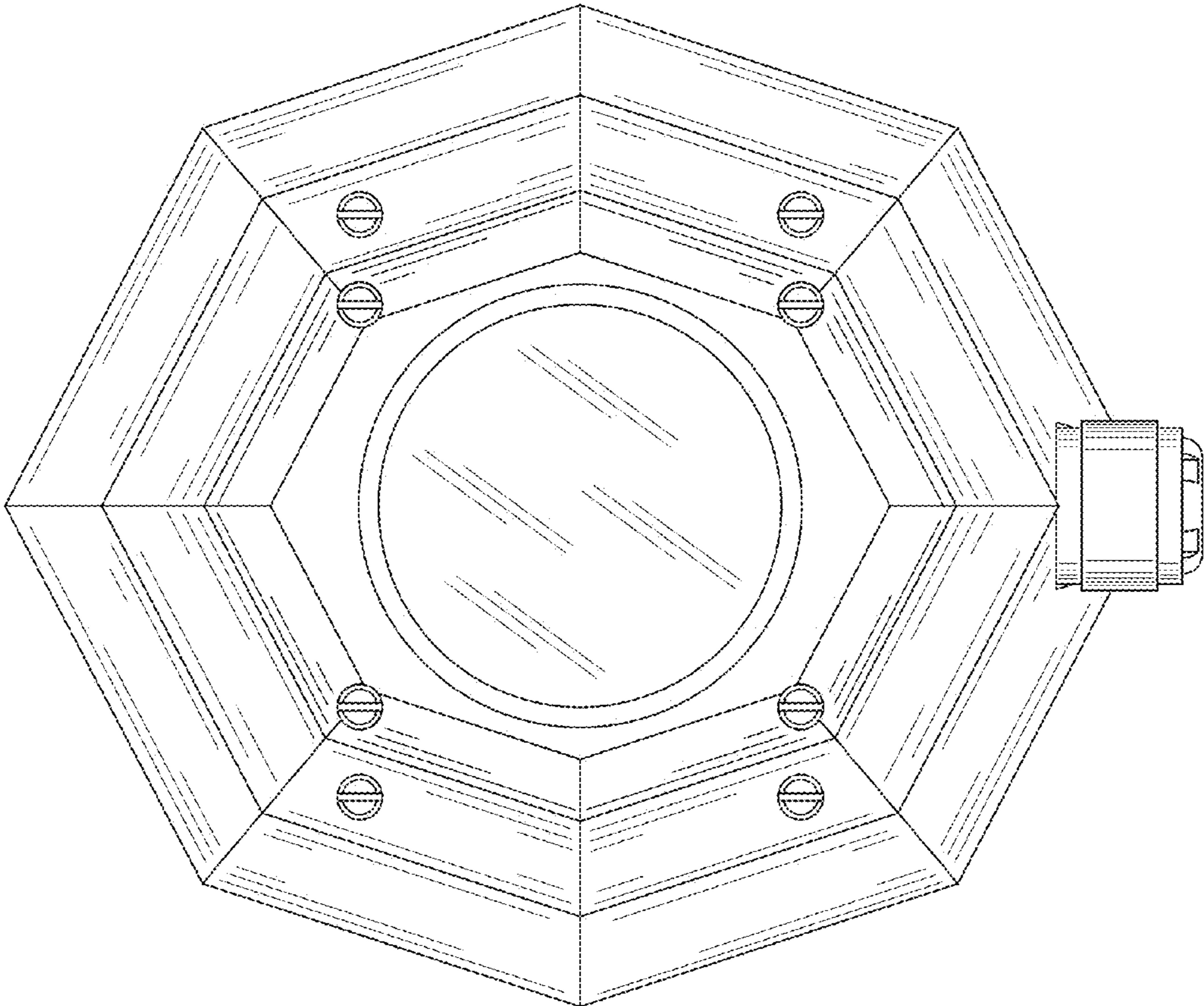


FIG. 4

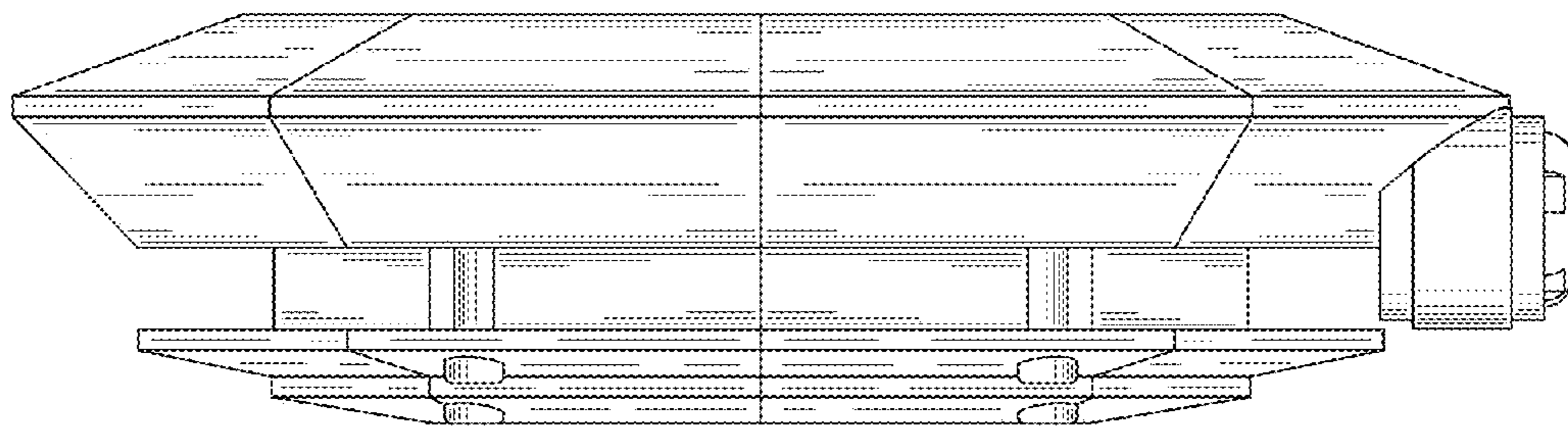


FIG. 5

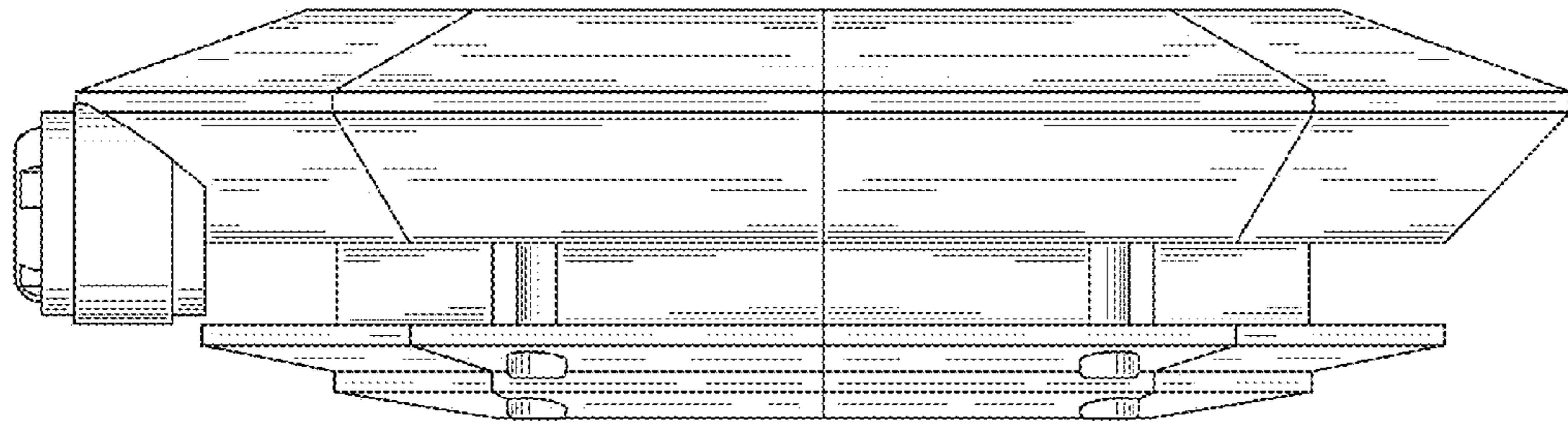


FIG. 6

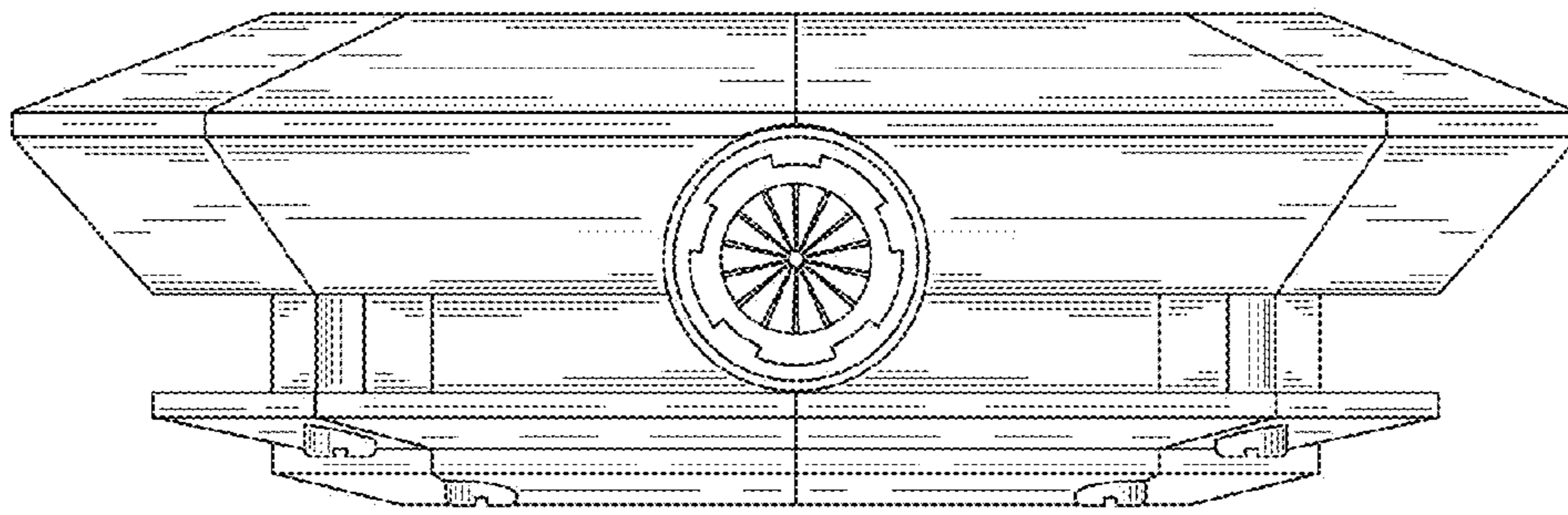


FIG. 7



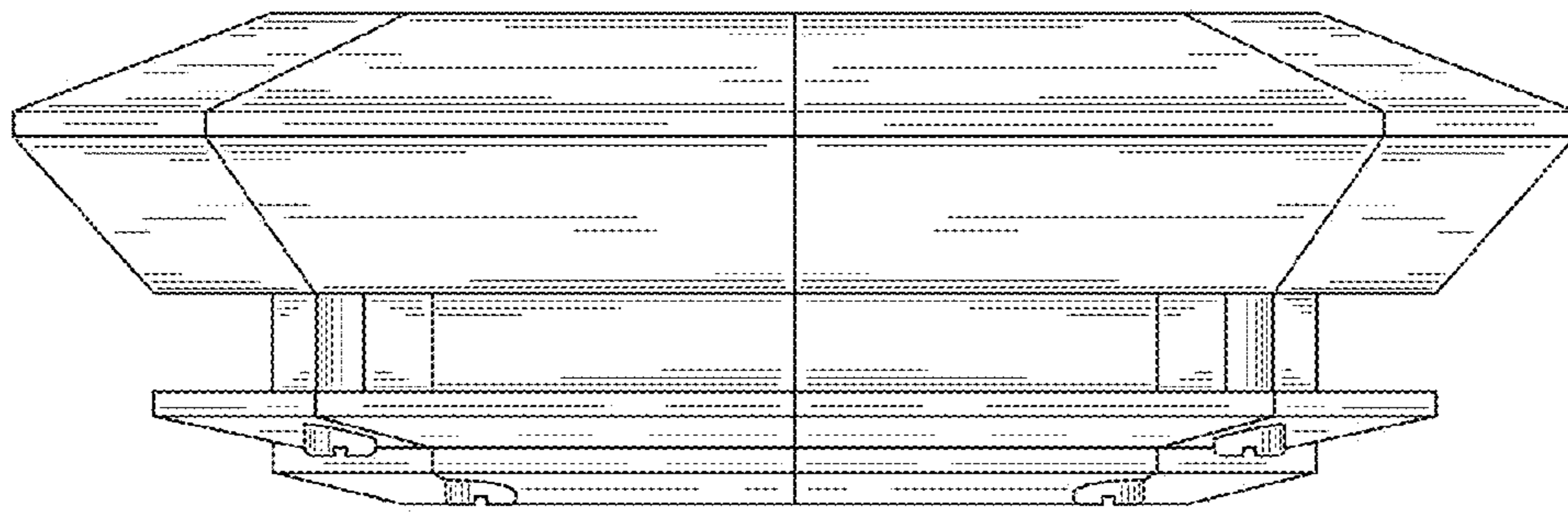


FIG. 8