



US00D694128S

(12) **United States Design Patent**
Liberman et al.

(10) **Patent No.:** **US D694,128 S**

(45) **Date of Patent:** **** Nov. 26, 2013**

(54) **GEAR CLOCK**

(71) Applicants: **Glen Liberman**, Short Hills, NJ (US);
Jesse Shelly, Spokane Valley, WA (US);
Luke Yoder, Piedmont, CA (US)

(72) Inventors: **Glen Liberman**, Short Hills, NJ (US);
Jesse Shelly, Spokane Valley, WA (US);
Luke Yoder, Piedmont, CA (US)

(73) Assignee: **Kinekt Design LLC**, Livingston, NJ
(US)

(**) Term: **14 Years**

(21) Appl. No.: **29/455,244**

(22) Filed: **May 17, 2013**

(51) **LOC (9) Cl.** **10-01**

(52) **U.S. Cl.**
USPC **D10/24**

(58) **Field of Classification Search**
USPC D10/1-29; 368/276, 316, 317, 79, 227,
368/250; D6/300, 310, 311
See application file for complete search history.

(56) **References Cited**

U.S. PATENT DOCUMENTS

387,779 A * 8/1888 Erschell 40/792
899,329 A * 9/1908 Sborigi 40/765
1,394,675 A * 10/1921 Frechette et al. 40/781

1,940,328 A * 12/1933 Schrotenboer 229/103
D168,325 S * 12/1952 Abrams D6/300
D197,433 S * 2/1964 Reinecke D10/25
3,763,645 A * 10/1973 Kim 368/21
D235,722 S * 7/1975 Retlick D6/300
D269,838 S * 7/1983 Altonaga D6/300
D276,314 S * 11/1984 Walch D10/25
D318,021 S * 7/1991 Mukoyama D10/24
D353,942 S * 1/1995 Lo et al. D6/310
D358,037 S * 5/1995 Monroe D6/300
D480,221 S * 10/2003 Luciano D6/300
D527,193 S * 8/2006 Park D6/300
D545,694 S * 7/2007 Bhavnani D10/15
D677,474 S * 3/2013 Harris et al. D6/310

* cited by examiner

Primary Examiner — Lucy Lieberman

(74) *Attorney, Agent, or Firm* — Spriegel & Associates LLC

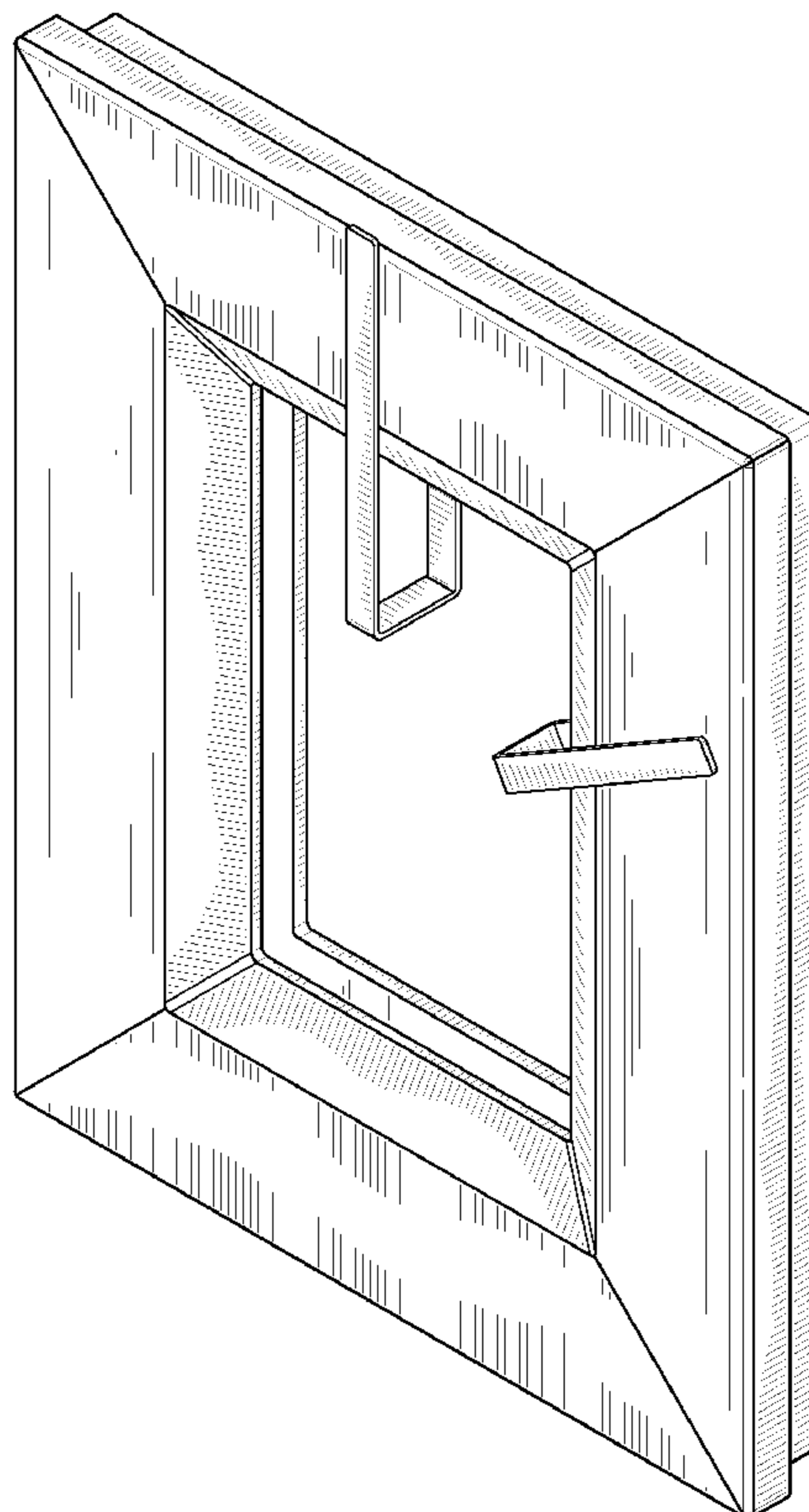
(57) **CLAIM**

The ornamental design for a gear clock, as shown.

DESCRIPTION

FIG. 1 is a front perspective view of a gear clock showing our new design;
FIG. 2 is a front view of the gear clock shown in FIG. 1;
FIG. 3 is a rear view of the gear clock shown in FIG. 1;
FIG. 4 is a left side view of the gear clock shown in FIG. 1;
FIG. 5 is a right side view of the gear clock shown in FIG. 1;
FIG. 6 is a top view of the gear clock shown in FIG. 1; and,
FIG. 7 is a bottom view of the gear clock shown in FIG. 1.

1 Claim, 5 Drawing Sheets



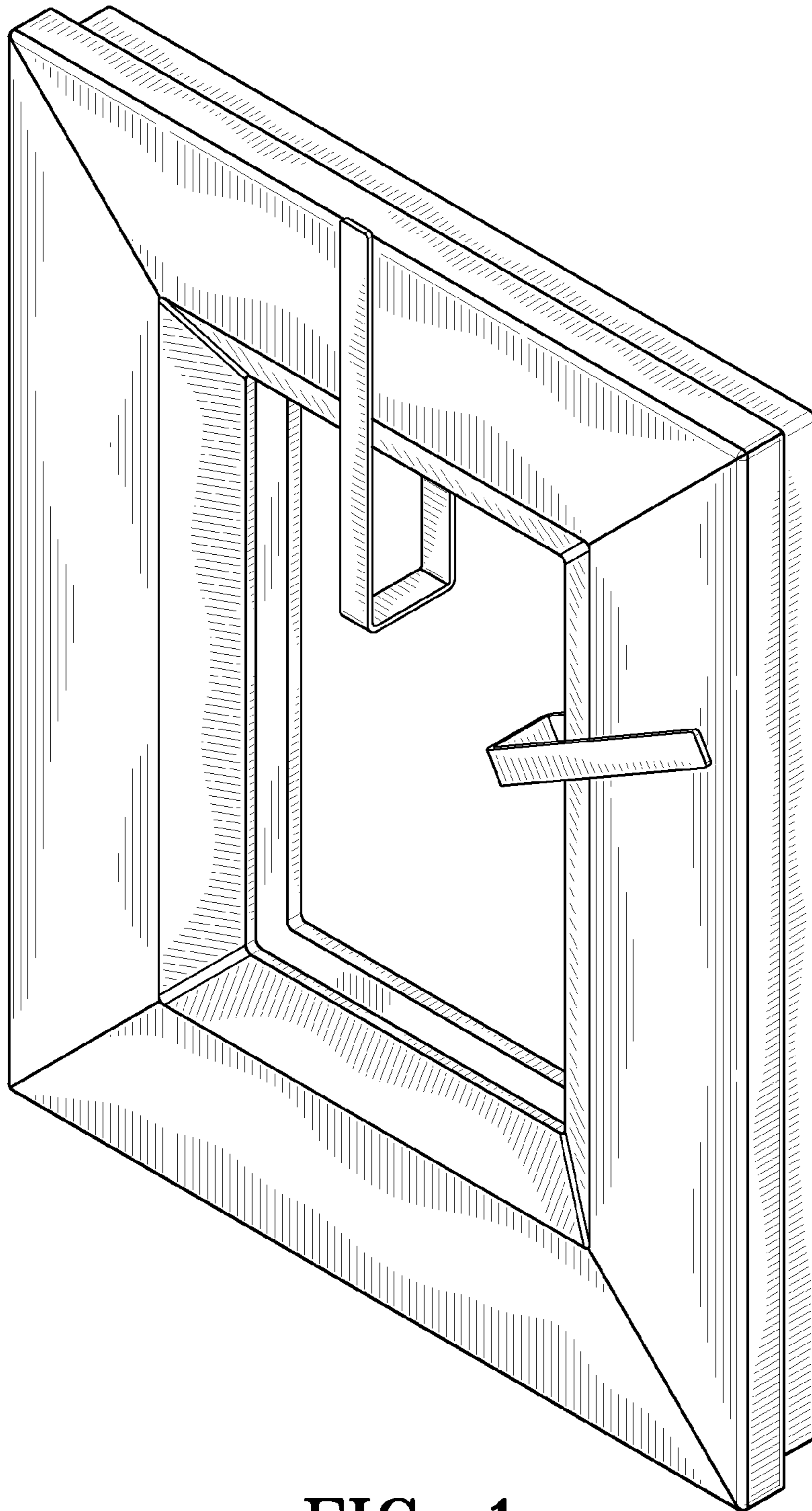


FIG-1

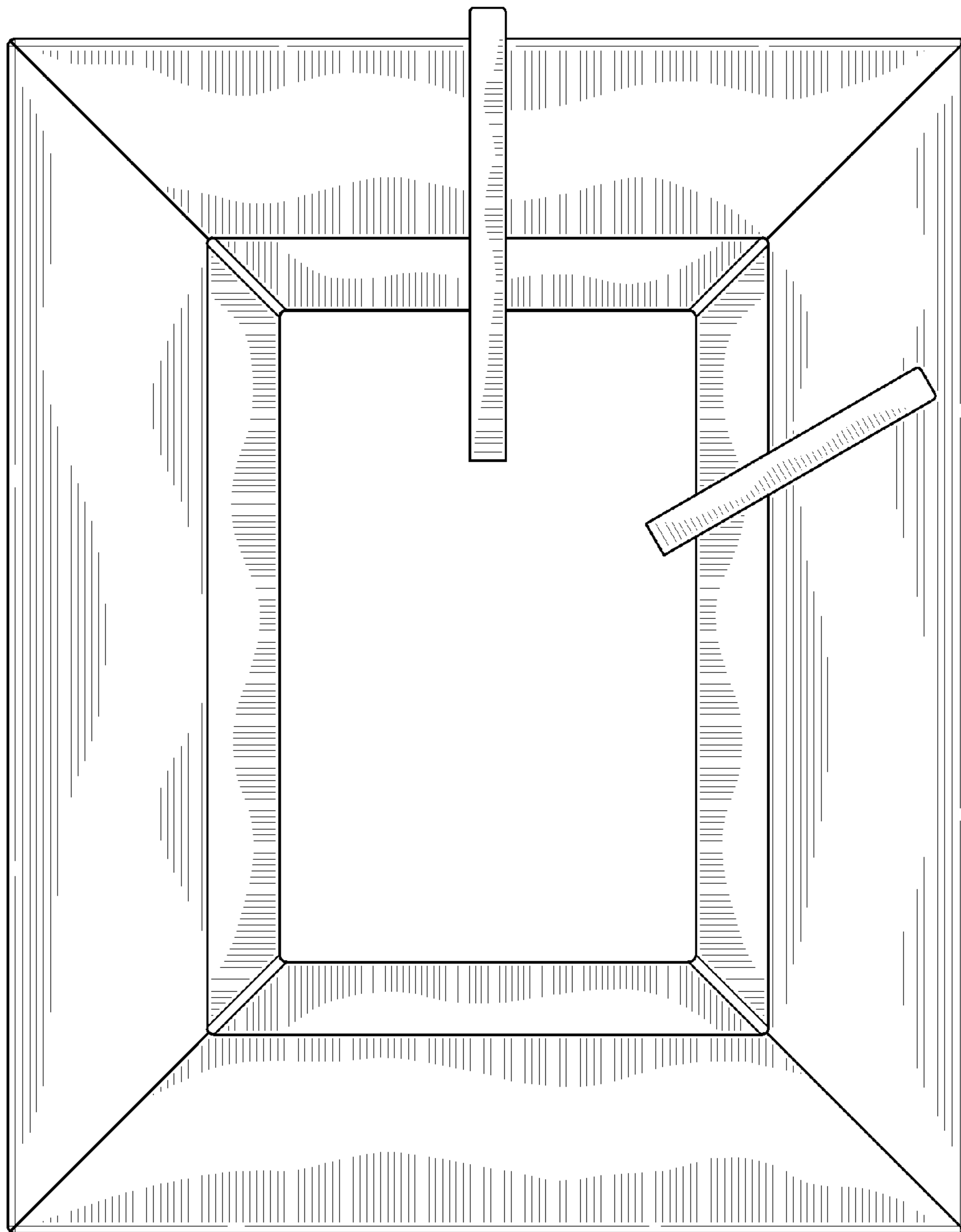


FIG-2

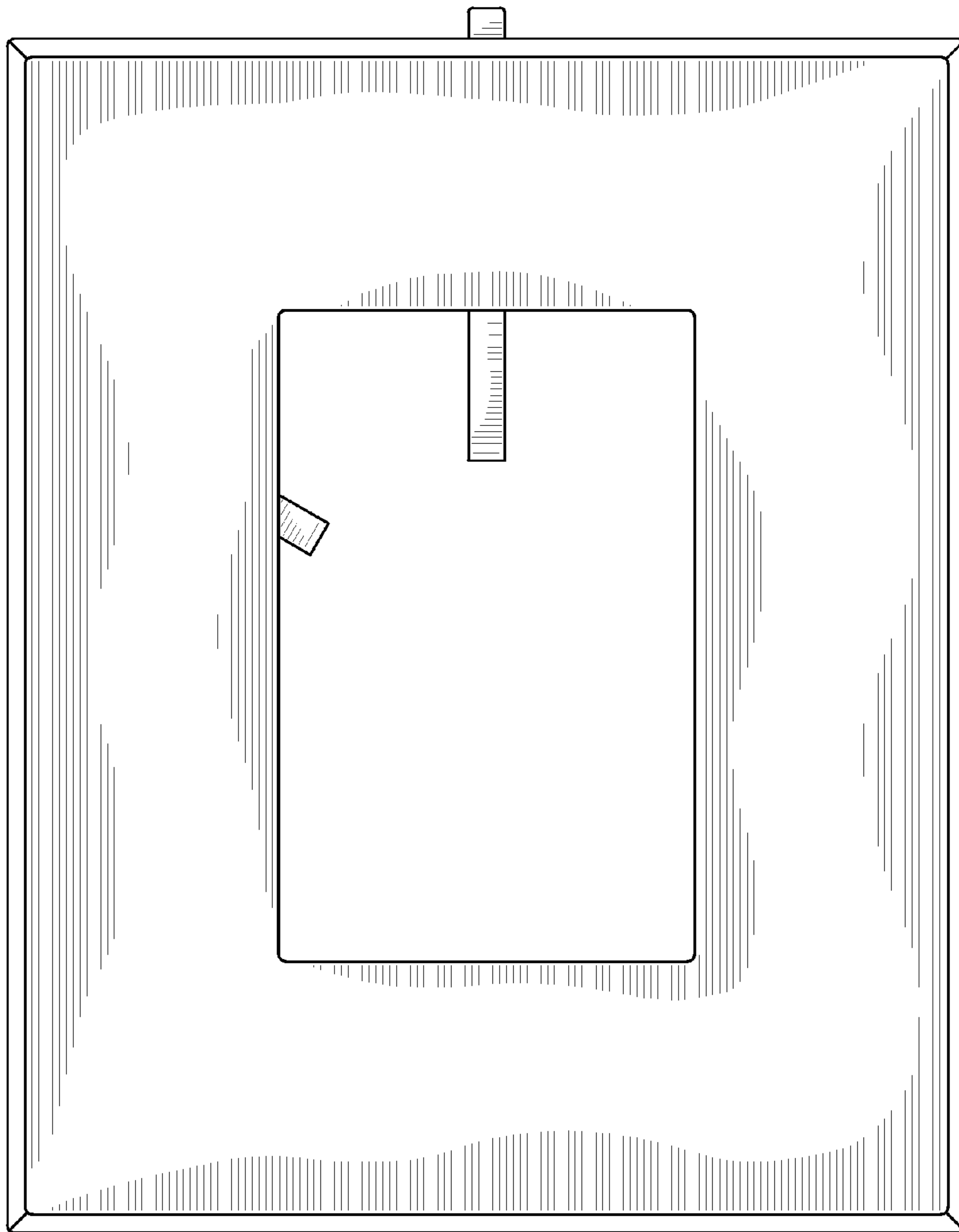


FIG-3

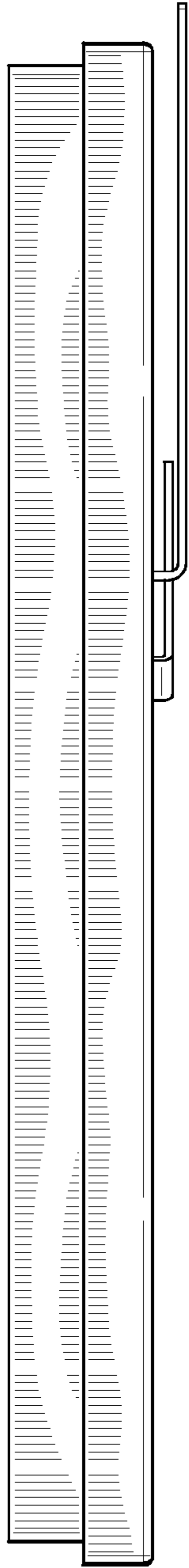


FIG-4

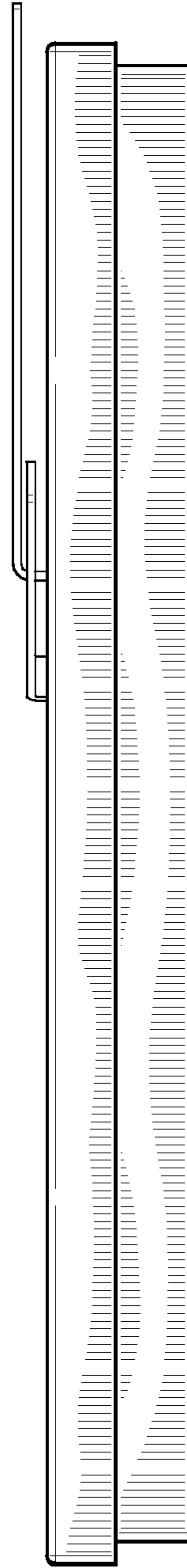


FIG-5

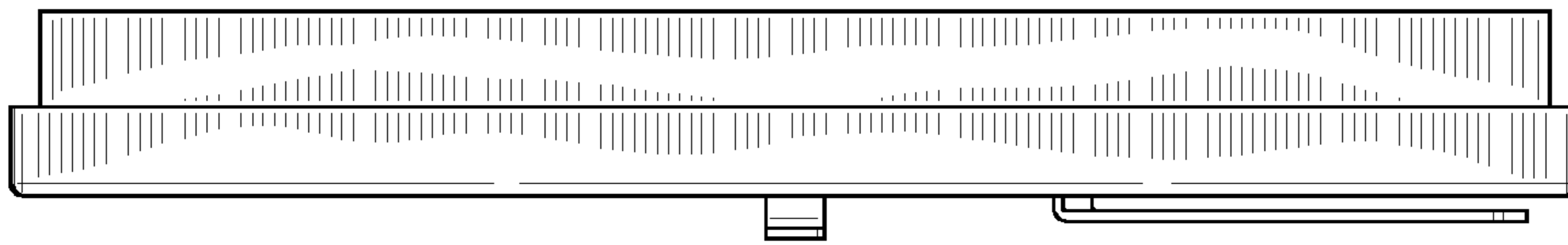


FIG-6

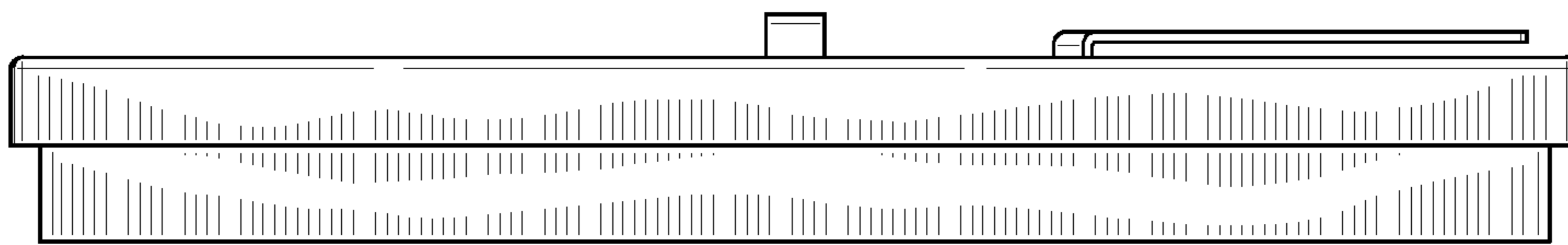


FIG-7