



US00D694127S

(12) **United States Design Patent**
Hsu

(10) **Patent No.:** **US D694,127 S**

(45) **Date of Patent:** **** Nov. 26, 2013**

- (54) **CLOCK**
- (71) Applicant: **Hua Wen Hsu**, Taipei (TW)
- (72) Inventor: **Hua Wen Hsu**, Taipei (TW)
- (**) Term: **14 Years**
- (21) Appl. No.: **29/444,249**
- (22) Filed: **Jan. 29, 2013**
- (51) **LOC (9) Cl.** **10-01**
- (52) **U.S. Cl.**
USPC **D10/15; D10/26**
- (58) **Field of Classification Search**
USPC D10/1-29, 122-132, 40; 368/11, 316,
368/317, 239, 240, 241, 242, 72, 73, 262,
368/263, 250; D14/170, 171
See application file for complete search history.

- 5,883,859 A * 3/1999 Bentley 368/10
- 5,926,442 A * 7/1999 Sirhan et al. 368/73
- D422,510 S * 4/2000 Holland D10/15
- D487,889 S * 3/2004 Baker D14/171
- D606,425 S * 12/2009 Simpson D10/40
- D656,919 S * 4/2012 Skurdal D14/171
- D659,552 S * 5/2012 Nielsen et al. D10/2
- 2009/0073813 A1 * 3/2009 Stephens 368/73

* cited by examiner

Primary Examiner — Lucy Lieberman

(74) *Attorney, Agent, or Firm* — Chun-Ming Shih

(56) **References Cited**

U.S. PATENT DOCUMENTS

- D228,247 S * 8/1973 Ohta et al. D14/171
- D228,515 S * 10/1973 Watanbe D10/3
- D249,651 S * 9/1978 Hirose D10/15
- D257,352 S * 10/1980 Makino et al. D14/171
- D258,820 S * 4/1981 Hamada D14/171
- D261,766 S * 11/1981 Miyanaga et al. D14/171
- 4,307,460 A * 12/1981 Polonsky 368/74
- D368,227 S * 3/1996 Danko et al. D10/5
- D406,067 S * 2/1999 Bouban D10/15

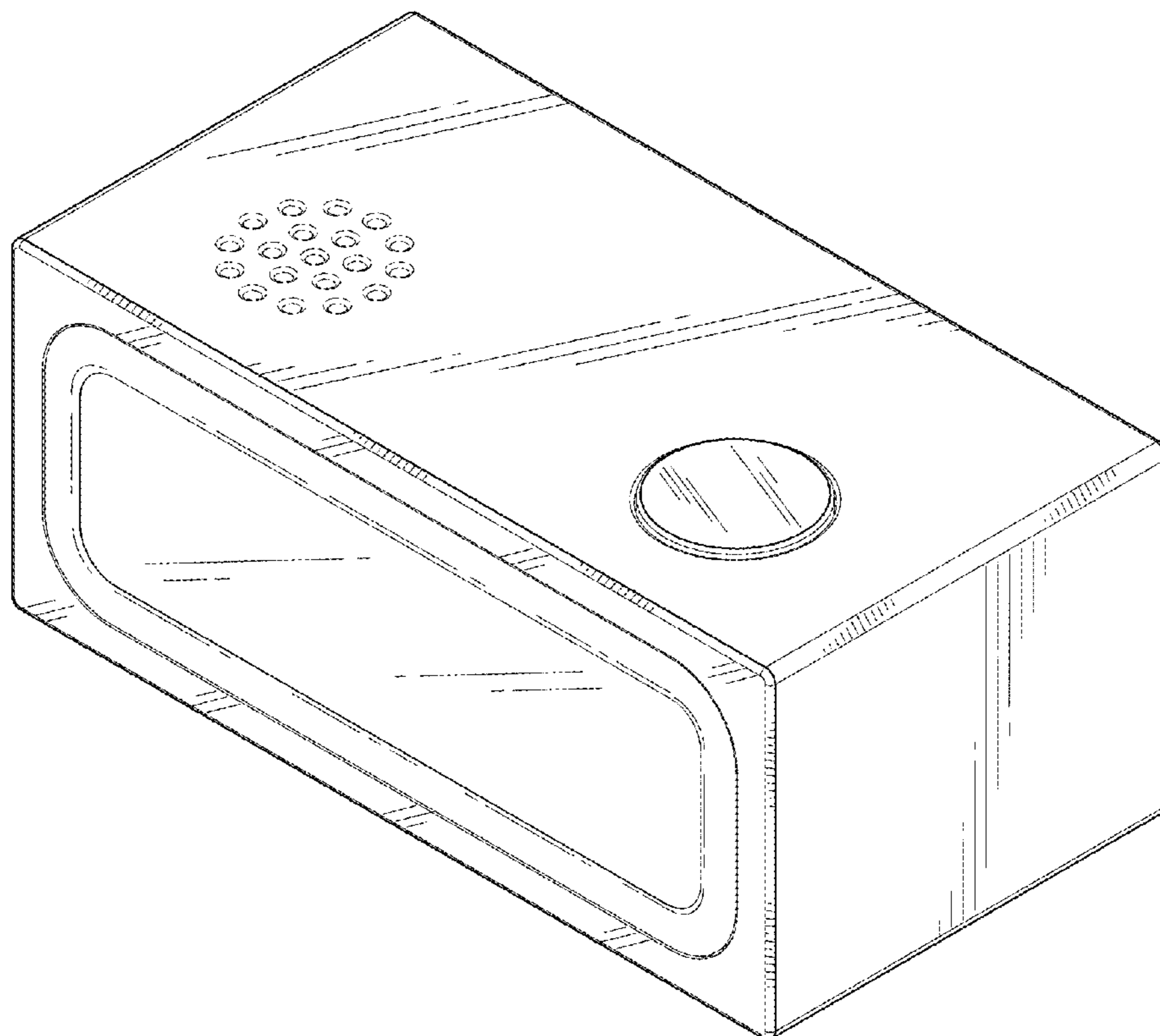
(57) **CLAIM**

The ornamental design for a clock, as shown and described.

DESCRIPTION

FIG. 1 is a perspective view of a clock showing my new design;
 FIG. 2 is a front elevational view thereof;
 FIG. 3 is a rear elevational view thereof;
 FIG. 4 is a left side view thereof;
 FIG. 5 is a right side view thereof;
 FIG. 6 is a top plan view thereof; and,
 FIG. 7 is a bottom plan view thereof.
 The broken line showing is for illustrative purposes only and forms no part of the claimed design.

1 Claim, 7 Drawing Sheets



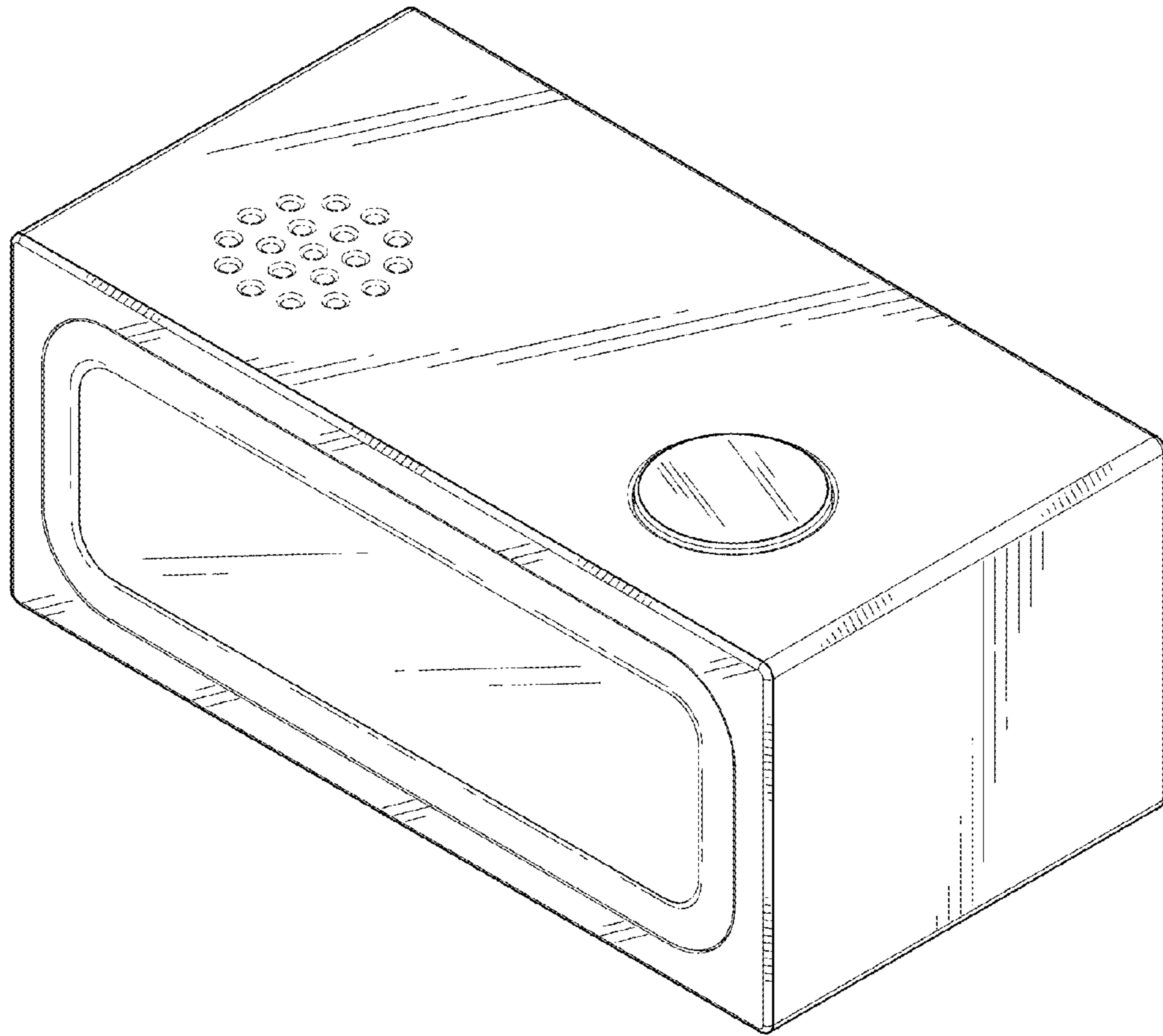


FIG. 1

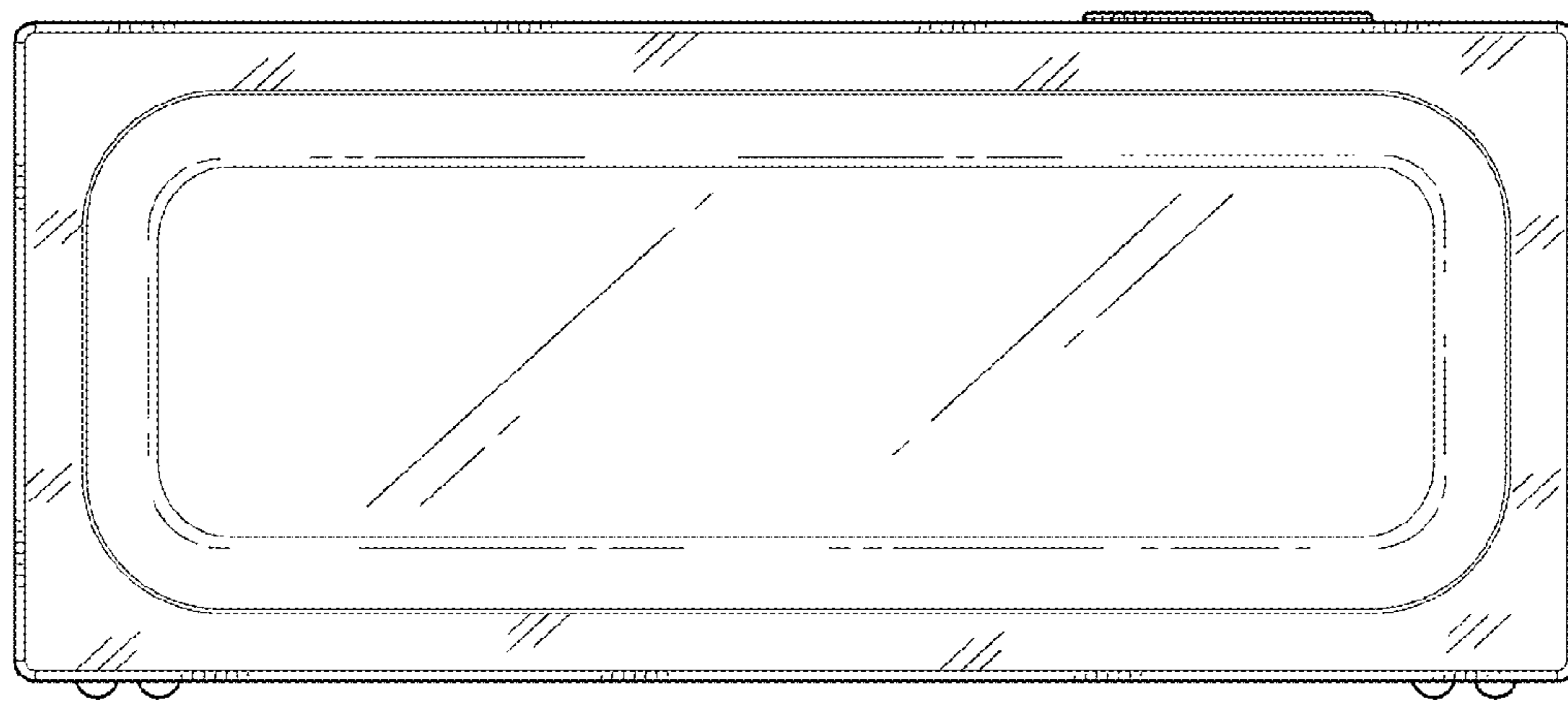


FIG. 2

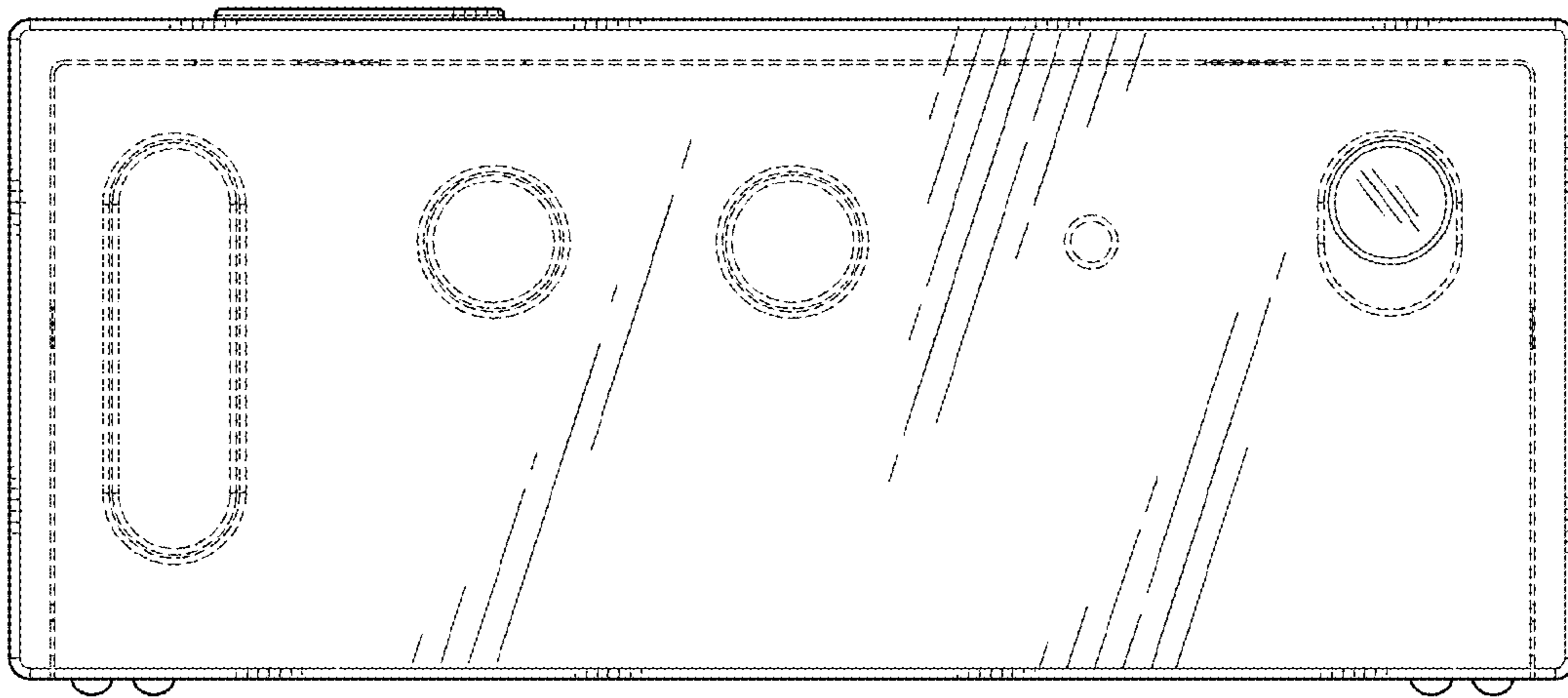


FIG. 3

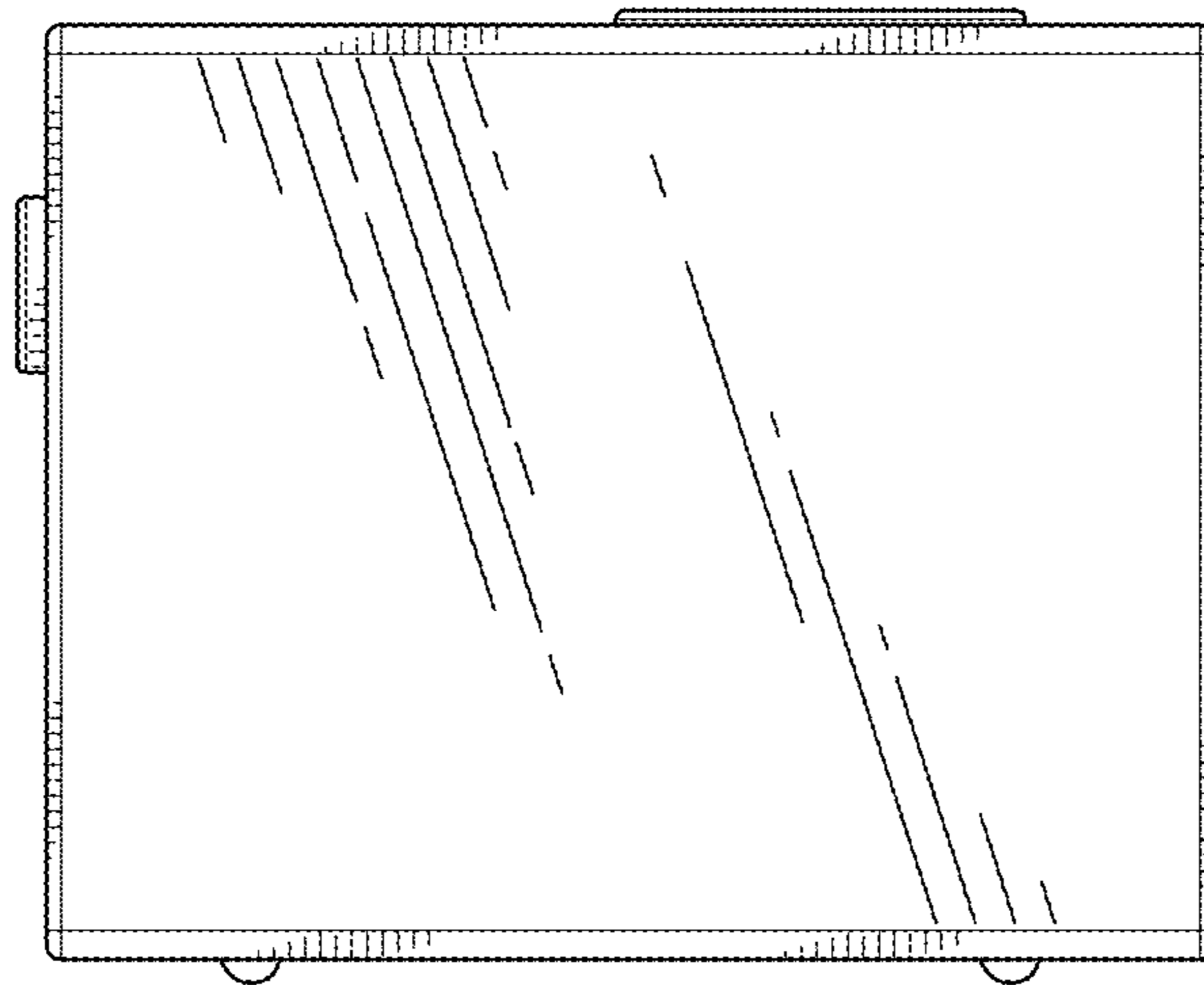


FIG. 4

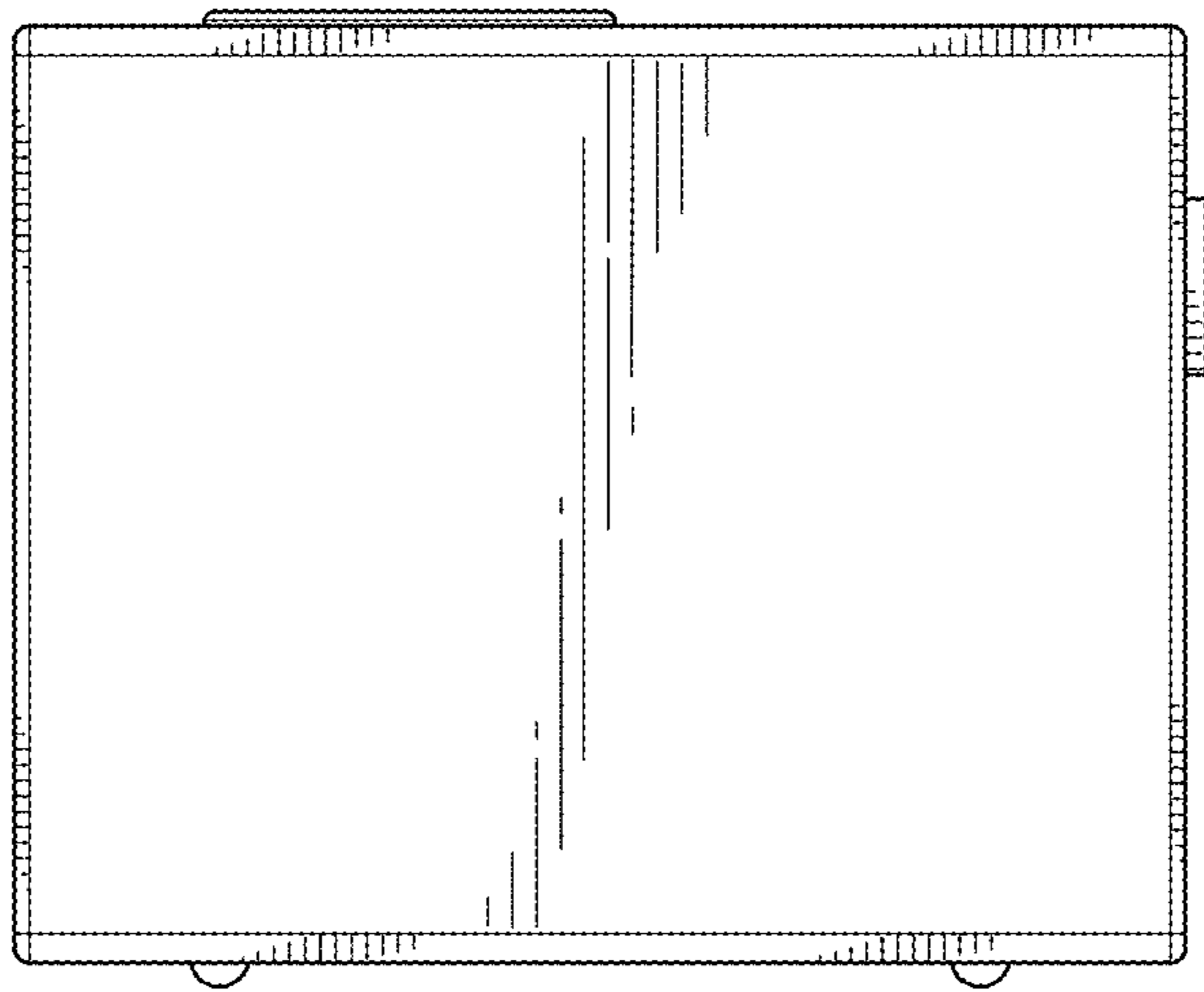


FIG. 5

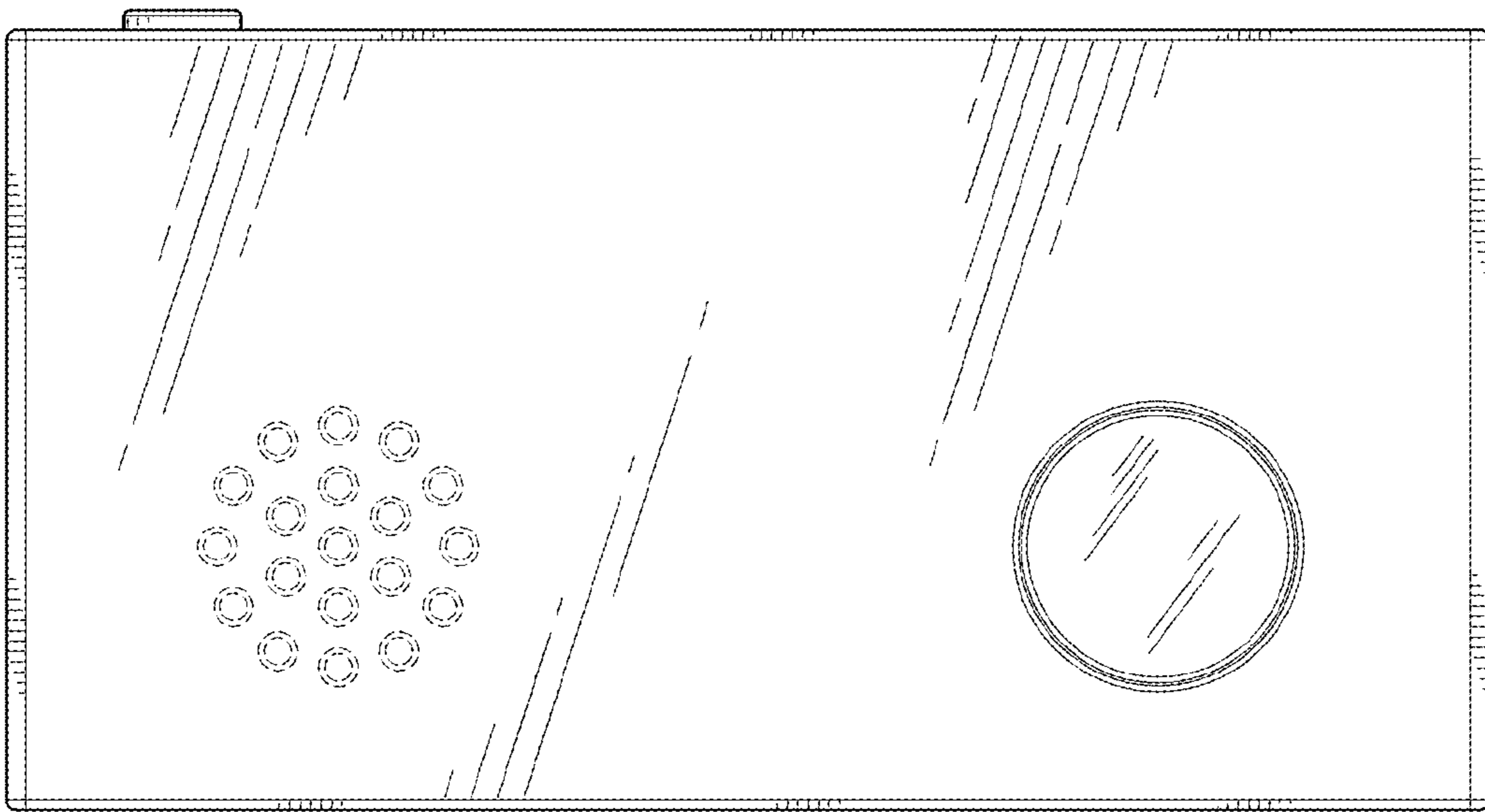


FIG. 6

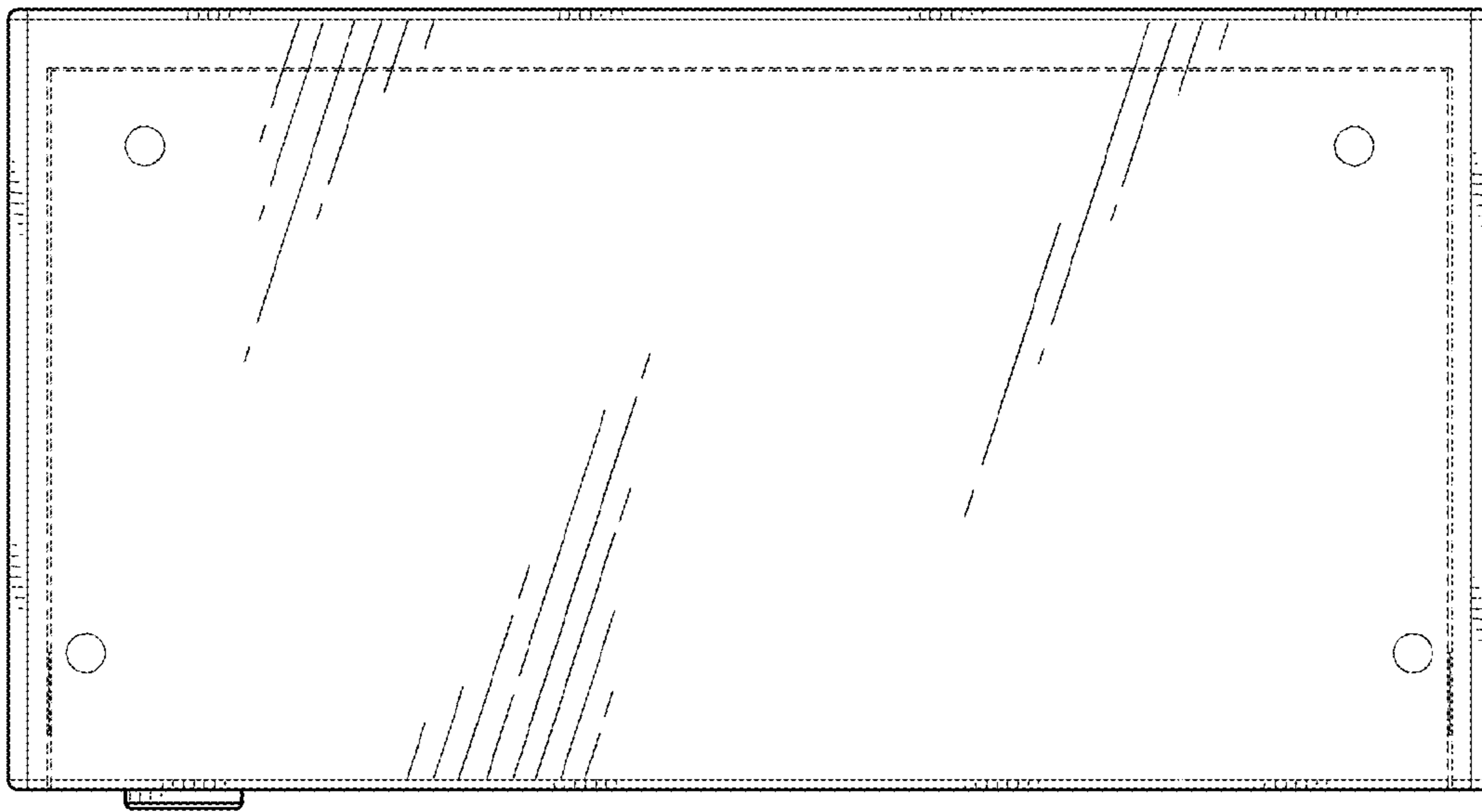


FIG. 7