

US00D694124S

(12) **United States Design Patent**
Fitzwater

(10) **Patent No.:** **US D694,124 S**

(45) **Date of Patent:** **** Nov. 26, 2013**

- (54) **CARTON**
- (71) Applicant: **Graphic Packaging International, Inc.**,
Atlanta, GA (US)
- (72) Inventor: **Kelly R. Fitzwater**, Lakewood, CO (US)
- (73) Assignee: **Graphic Packaging International, Inc.**,
Atlanta, GA (US)
- (**) Term: **14 Years**
- (21) Appl. No.: **29/444,522**
- (22) Filed: **Jan. 31, 2013**

Related U.S. Application Data

- (60) Continuation of application No. 13/046,901, filed on Mar. 14, 2011, now Pat. No. 8,440,947, which is a division of application No. 11/567,364, filed on Dec. 6, 2006, now Pat. No. 7,928,349.

- (51) **LOC (9) Cl.** **09-05**
- (52) **U.S. Cl.**
USPC **D9/711**

- (58) **Field of Classification Search**
USPC D9/702-714, 414-418, 420-426, 501,
D9/430-433, 444, 499; 206/485, 766, 779,
206/588, 822, 429, 431, 464, 483, 482;
229/406, 902-904, 121, 122.2, 92.1,
229/87.01-87.09, 87.11, 92.7; 220/315,
220/324, 326, 4.23; D3/303; D24/118-119;
383/106-420

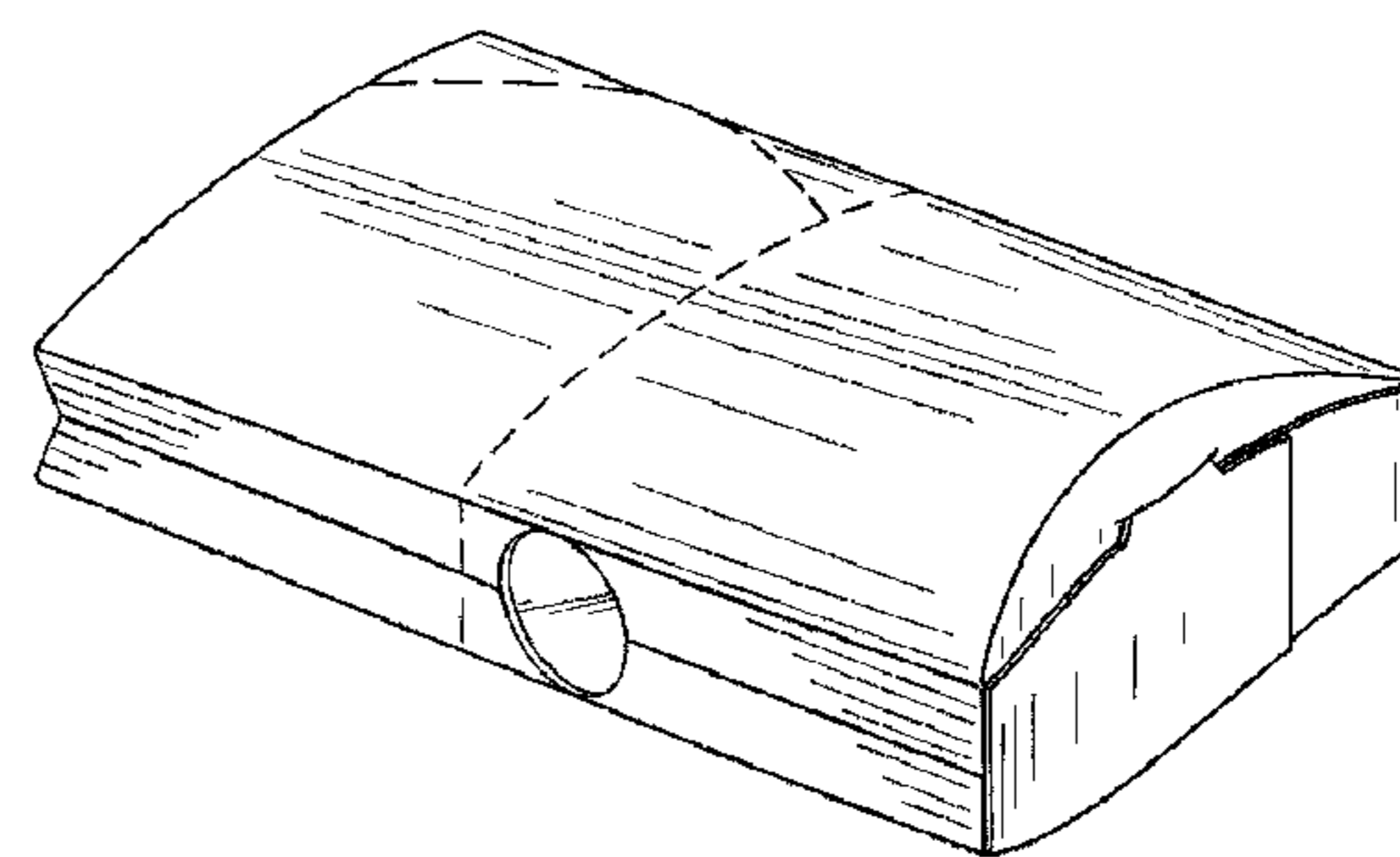
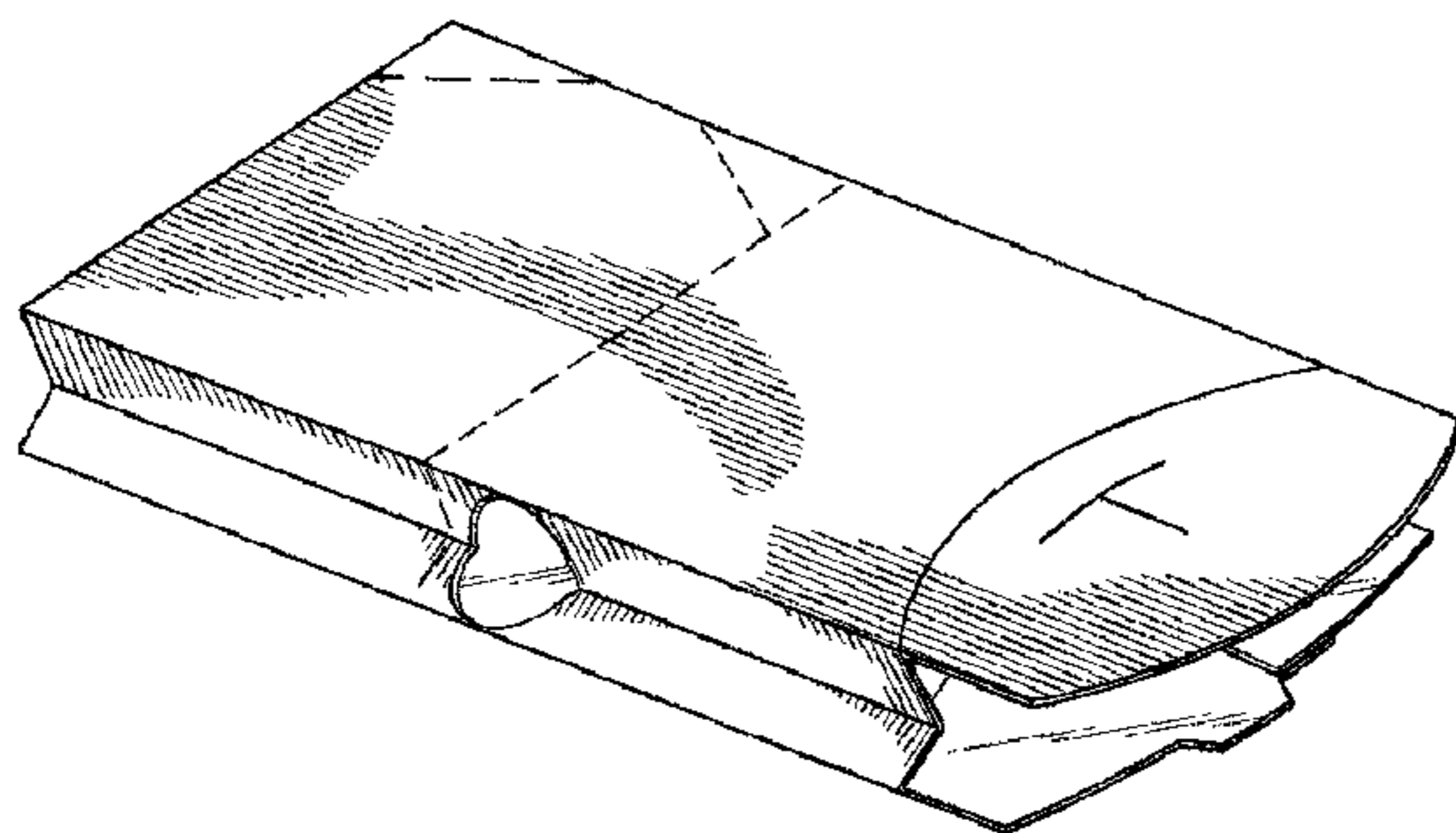
See application file for complete search history.

- (56) **References Cited**

U.S. PATENT DOCUMENTS

1,516,090 A	11/1924	Gary et al.
2,132,966 A	10/1938	O'Brien
3,240,419 A	3/1966	Spiering et al.
3,324,998 A	6/1967	Farquhar
3,637,130 A	1/1972	Farquhar
D234,396 S	2/1975	Killy
4,228,945 A	10/1980	Wysocki
4,775,771 A	10/1988	Pawlowski

4,794,005 A	12/1988	Swiontek	
4,865,921 A	9/1989	Hollenberg	
4,890,439 A	1/1990	Smart	
4,919,785 A	4/1990	Willey et al.	
4,936,935 A	6/1990	Beckett	
4,963,424 A	10/1990	Beckett	
5,034,234 A	7/1991	Andreas et al.	
5,039,364 A	8/1991	Beckett	
5,071,062 A	12/1991	Bradley et al.	
5,078,273 A	1/1992	Kuchenbecker	
5,096,723 A	3/1992	Turpin	
5,117,078 A	5/1992	Beckett	
5,175,404 A	12/1992	Andreas et al.	
5,213,902 A	5/1993	Beckett	
5,221,419 A	6/1993	Beckett	
5,260,537 A	11/1993	Beckett	
5,266,386 A	11/1993	Beckett	
RE34,683 E	8/1994	Maynard	
5,340,436 A	8/1994	Beckett	
5,354,973 A	10/1994	Beckett	
5,410,135 A	4/1995	Pollart	
5,424,517 A	6/1995	Habeger	
5,484,100 A	1/1996	Rigby	
5,510,132 A	4/1996	Gallo, Jr.	
D369,972 S *	5/1996	Solheim D9/711
5,519,195 A	5/1996	Keefer	
5,585,027 A	12/1996	Young	
5,628,921 A	5/1997	Beckett	
5,672,407 A	9/1997	Beckett	
5,688,427 A	11/1997	Gallo, Jr.	
5,759,422 A	6/1998	Schmelzer	
5,800,724 A	9/1998	Habeger	
5,938,110 A	8/1999	Bernstein	
6,063,415 A	5/2000	Walters	
6,114,679 A	9/2000	Lai	
6,150,646 A	11/2000	Lai et al.	
6,204,492 B1	3/2001	Zeng et al.	
6,251,451 B1	6/2001	Zeng	
D450,578 S *	11/2001	Tomaselli et al. D9/711
6,414,290 B1	7/2002	Cole	
6,433,322 B2	8/2002	Zeng et al.	
6,455,827 B2	9/2002	Zeng	
6,552,315 B2	4/2003	Zeng et al.	
D484,798 S	1/2004	Bukowski	
6,677,563 B2	1/2004	Lai	
6,683,289 B2	1/2004	Whitmore et al.	
6,717,121 B2	4/2004	Zeng	
6,744,028 B2	6/2004	Chisholm et al.	
6,765,182 B2	7/2004	Cole	
6,877,634 B2	4/2005	Tramontina et al.	
D573,458 S *	7/2008	Anderson et al. D9/418
7,414,230 B2	8/2008	Fitzwater	
7,473,875 B2	1/2009	Fitzwater	



D600,940	S	*	9/2009	Eliaš et al.	D6/407
D604,607	S		11/2009	Elias et al.		
D608,194	S		1/2010	Gajardo		
7,667,167	B2		2/2010	Fitzwater		
D621,282	S	*	8/2010	Yagi	D9/711
D626,010	S	*	10/2010	Criss et al.	D9/711
7,893,389	B2		2/2011	Fitzwater		
D635,469	S	*	4/2011	Buitrago	D9/711
7,928,349	B2		4/2011	Fitzwater		
7,982,167	B2		7/2011	Fitzwater		
D642,934	S	*	8/2011	Ly	D9/711
8,061,265	B2		11/2011	Cambay		
8,063,344	B2		11/2011	Cole et al.		
D652,295	S		1/2012	Hipperson et al.		
D657,261	S	*	4/2012	de Gast	D9/711
D662,412	S		6/2012	Delaney et al.		
D662,428	S		6/2012	Rodriguez		
D664,444	S		7/2012	Delaney et al.		
8,217,325	B2		7/2012	Russell et al.		
D668,964	S	*	10/2012	Althoff	D9/711
D670,557	S		11/2012	Hamina et al.		
8,309,896	B2		11/2012	Fitzwater		
2003/0080120	A1		5/2003	Whitmore et al.		
2003/0206997	A1		11/2003	Winkleman et al.		
2004/0101605	A1		5/2004	Sigel		
2005/0284865	A1		12/2005	Fogle et al.		
2006/0049190	A1		3/2006	Middleton		
2006/0096978	A1		5/2006	Lafferty et al.		
2006/0113300	A1		6/2006	Wnek et al.		
2007/0131742	A1		6/2007	Fitzwater		
2007/0131743	A1		6/2007	Fitzwater		
2007/0131744	A1		6/2007	Fitzwater		
2007/0131745	A1		6/2007	Fitzwater		
2007/0138247	A1		6/2007	Fitzwater		
2008/0308614	A1		12/2008	Fitzwater		
2009/0039077	A1		2/2009	Fitzwater		
2010/0193509	A1		8/2010	Fitzwater		
2011/0163090	A1		7/2011	Fitzwater		
2013/0026158	A1		1/2013	Fitzwater		

FOREIGN PATENT DOCUMENTS

CA	2 586 472	A1	5/2006
DE	203 00 817	U1	4/2003
EP	1 452 458	A2	9/2004
FR	2 516 481		5/1983
FR	2 665 882		2/1992
FR	2 687 384		8/1993
GB	2 365 000	A	2/2002
JP	2004 224402	A	8/2004
WO	WO 2006/052326	A2	5/2006
WO	WO 2007/067705	A1	6/2007
WO	WO 2009/023286	A1	2/2009

OTHER PUBLICATIONS

International Search Report and Written Opinion—PCT/US2006/046755, Publication date Jun. 27, 2007, Graphic Packaging International, Inc.
 International Search Report and Written Opinion—PCT/US2008/050578, Publication date May 28, 2008, Graphic Packaging International, Inc.
 International Preliminary Report on Patentability—PCT/US2006/046755, Publication date Mar. 25, 2008, Graphic Packaging International, Inc.
 International Preliminary Report on Patentability—PCT/US2008/050578, Publication date Feb. 25, 2010, Graphic Packaging International, Inc.

European Search Report—EP App. No. 10004338, Publication Date Jun. 4, 2010, Graphic Packaging International, Inc.
 European Search Report—EP App. No. 11005496, Publication Date Sep. 8, 2011, Graphic Packaging International, Inc.
 European Search Report—EP App. No. 11005497, Publication Date Sep. 8, 2011, Graphic Packaging International, Inc.
 European Search Report—EP App. No. 1200441, Publication Date Aug. 10, 2012, Graphic Packaging International, Inc.
 U.S. Appl. No. 29/444,521, filed Jan. 31, 2013, Fitzwater.

* cited by examiner

Primary Examiner — Caron D Veynar
Assistant Examiner — Abraham Bahta
 (74) *Attorney, Agent, or Firm* — Womble Carlyle Sandridge & Rice, LLP

(57) **CLAIM**

The ornamental design for a carton, as shown and described.

DESCRIPTION

FIG. 1 is a bottom pictorial view of a carton with a bottom end of the carton in an open configuration, in accordance with the present invention;
 FIG. 2 is a side pictorial view of the carton of FIG. 1 with the bottom end in the open configuration;
 FIG. 3 is a front elevation view of the carton of FIG. 1 with the bottom end in the open configuration;
 FIG. 4 is a rear elevation view of the carton of FIG. 1 with the bottom end in the open configuration;
 FIG. 5 is a right elevation view of the carton of FIG. 1 with the bottom end in the open configuration;
 FIG. 6 is a left elevation view of the carton of FIG. 1 with the bottom end in the open configuration;
 FIG. 7 is a top plan view of the carton of FIG. 1 with the bottom end in the open configuration;
 FIG. 8 is a bottom plan view of the carton of FIG. 1 with the bottom end in the open configuration;
 FIG. 9 is a front pictorial view of the carton of FIG. 1 with the bottom end in a closed configuration;
 FIG. 10 a bottom pictorial view of the carton of FIG. 1 with the bottom end in the closed configuration;
 FIG. 11 is a front elevation view of the carton of FIG. 1 with the bottom end in the closed configuration;
 FIG. 12 is a rear elevation view of the carton of FIG. 1 with the bottom end in the closed configuration;
 FIG. 13 is a right elevation view of the carton of FIG. 1 with the bottom end in the closed configuration;
 FIG. 14 is a left elevation view of the carton of FIG. 1 with the bottom end in the closed configuration;
 FIG. 15 is a top plan view of the carton of FIG. 1 with the bottom end in the closed configuration; and,
 FIG. 16 is a bottom plan view of the carton of FIG. 1 with the bottom end in the closed configuration.
 The broken lines shown herein are for illustrative purposes and form no part of the claimed design.

1 Claim, 10 Drawing Sheets

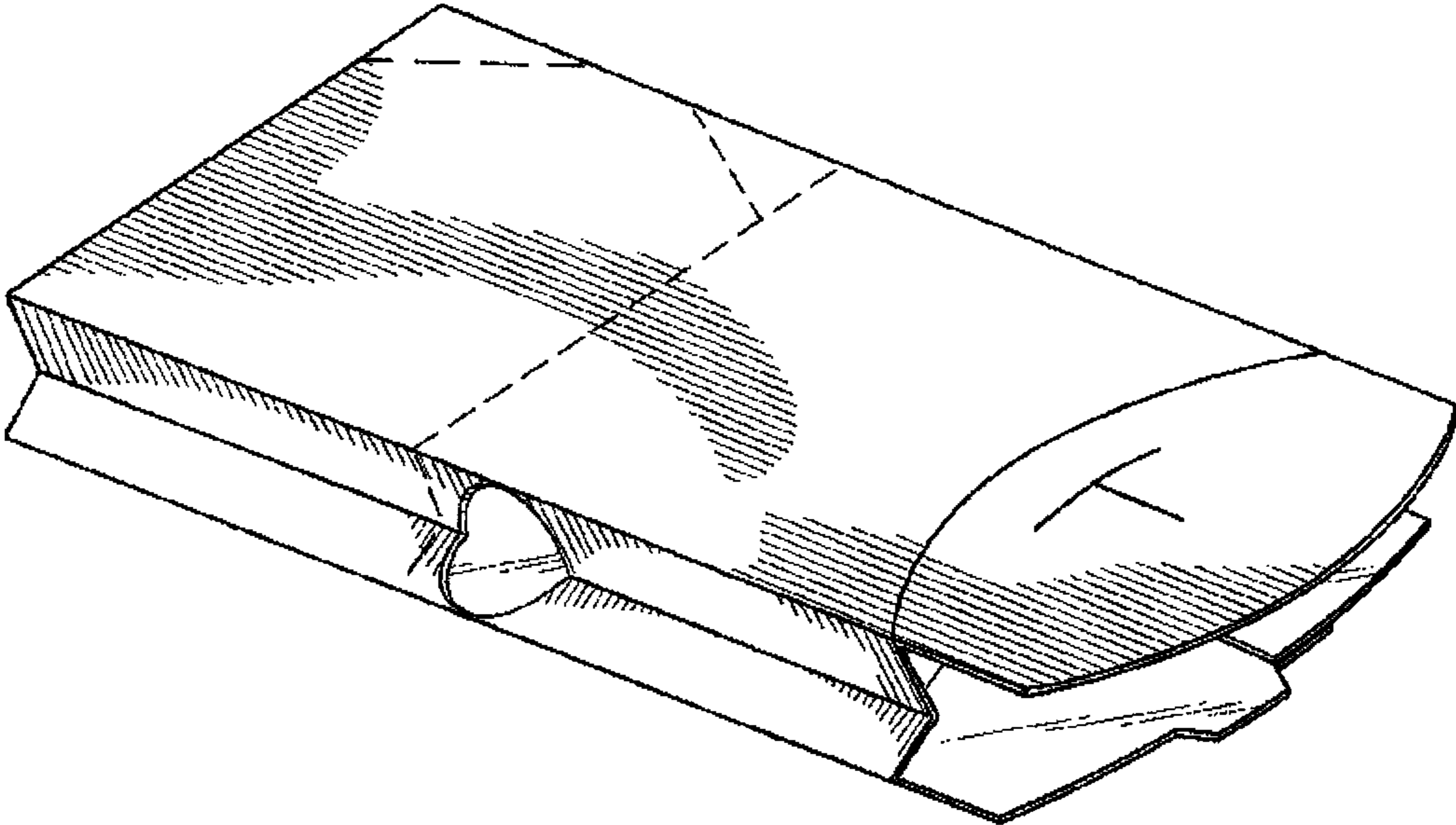


FIG. 1

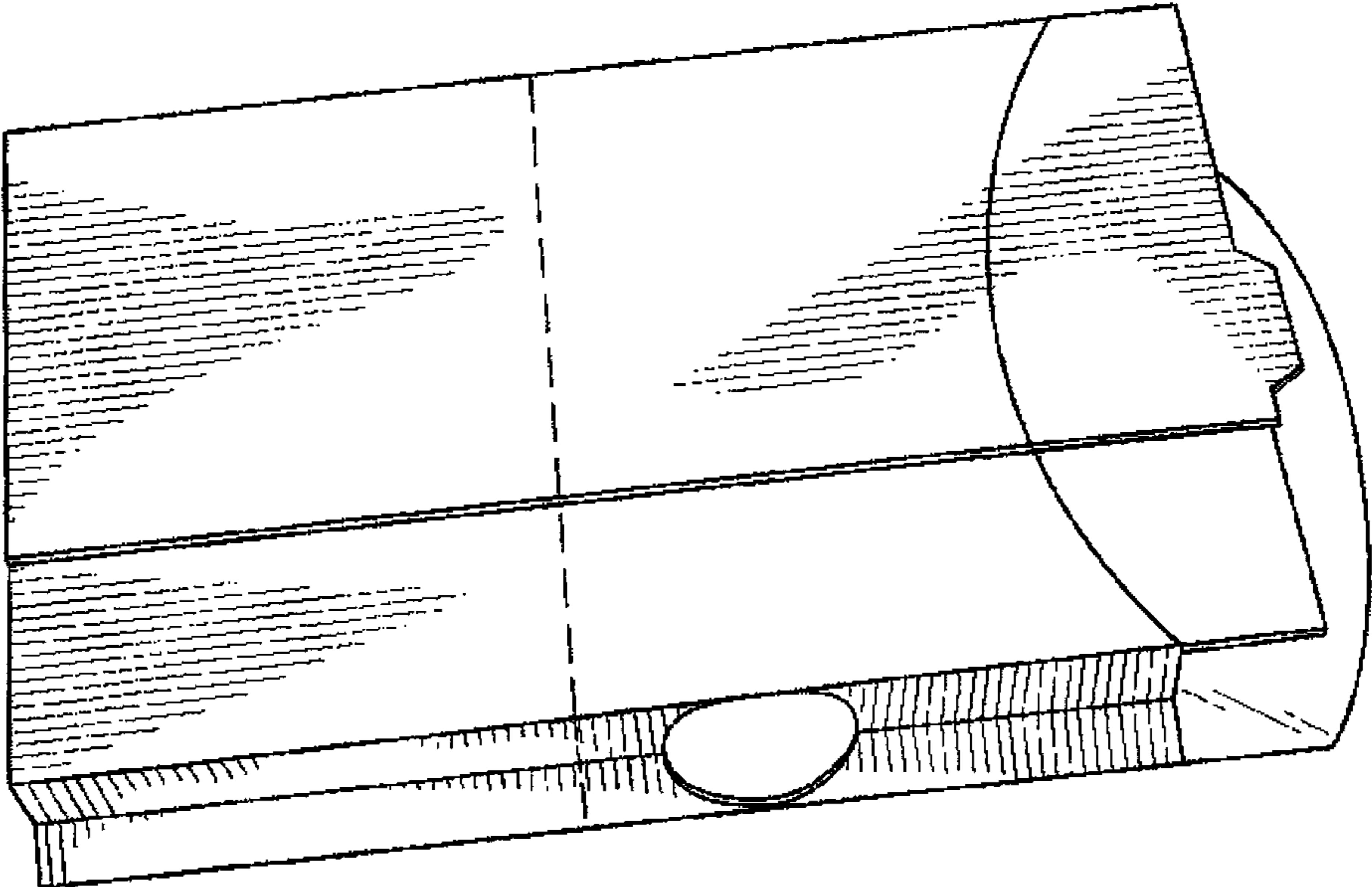


FIG. 2

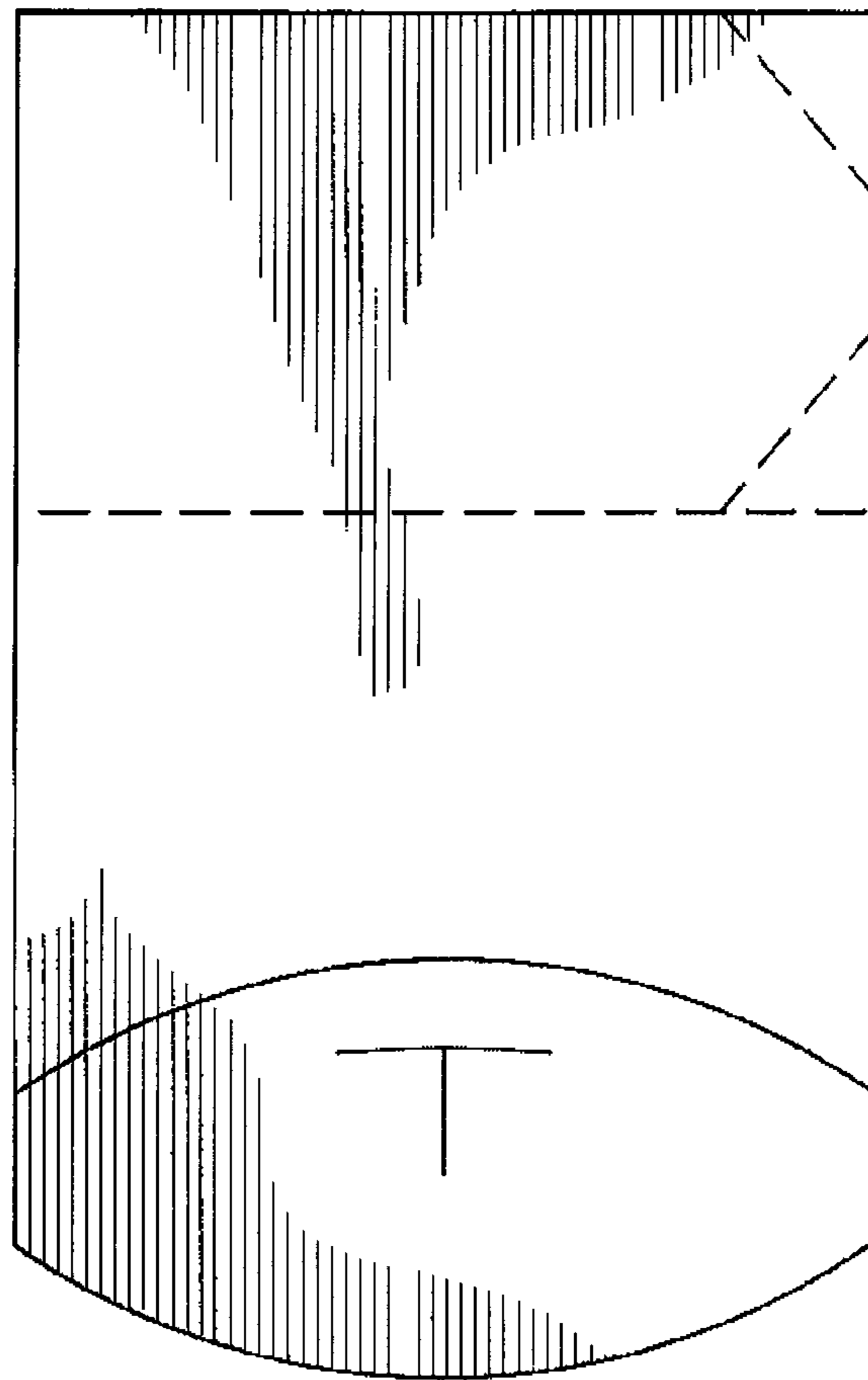


FIG. 3

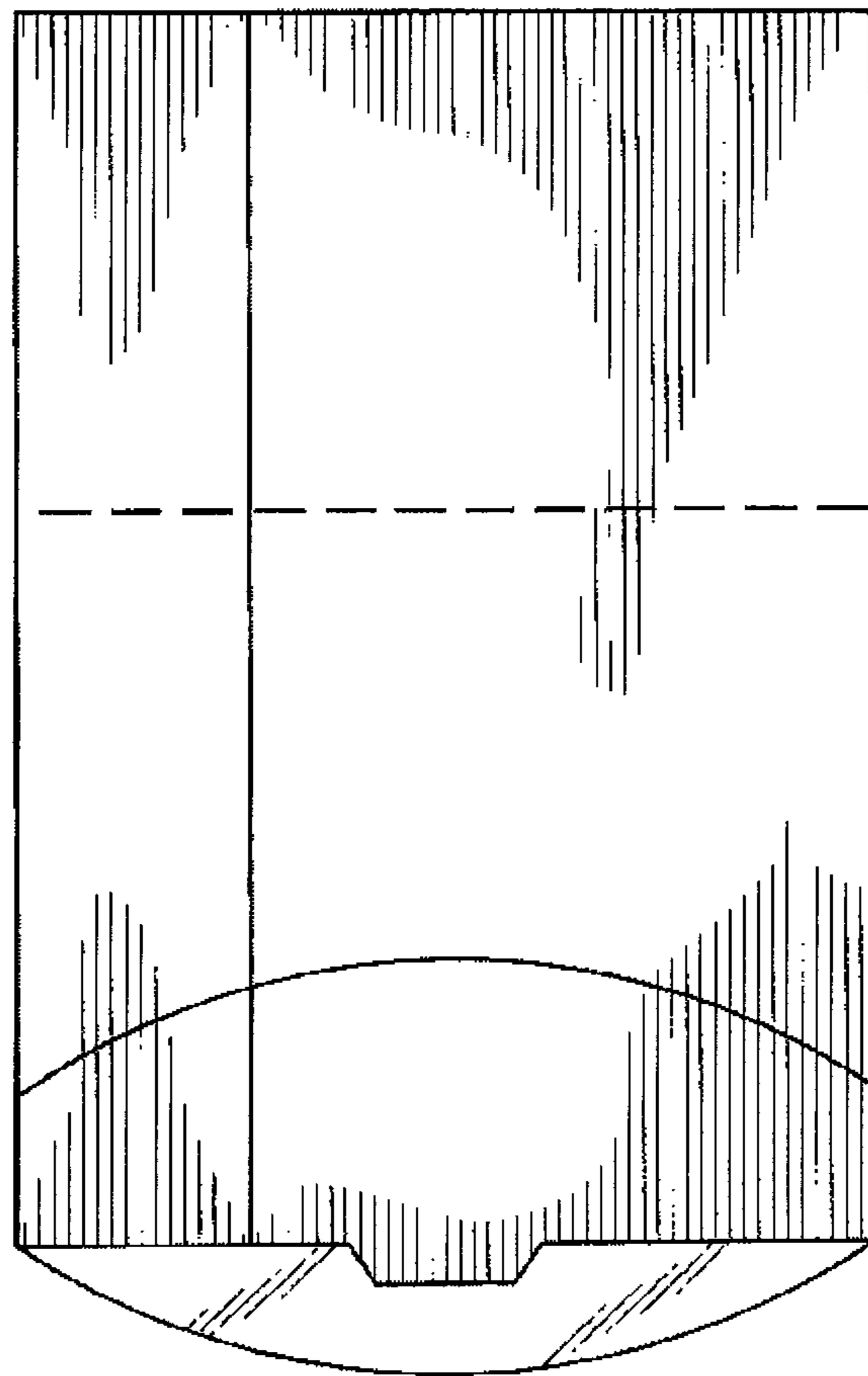


FIG. 4

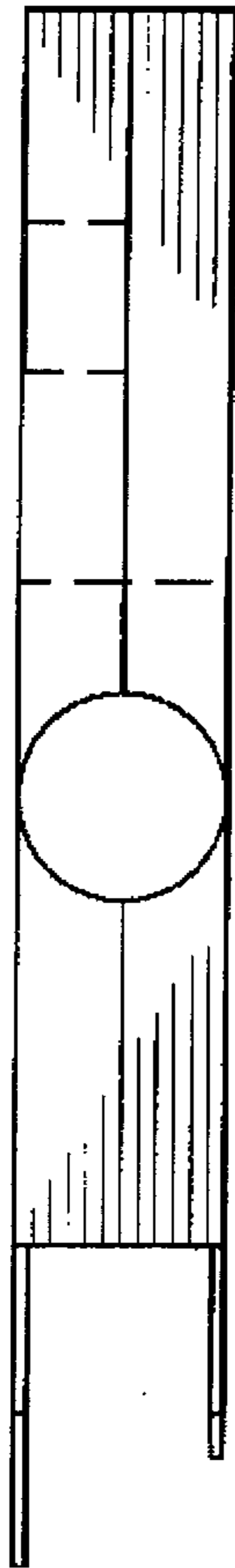


FIG. 5

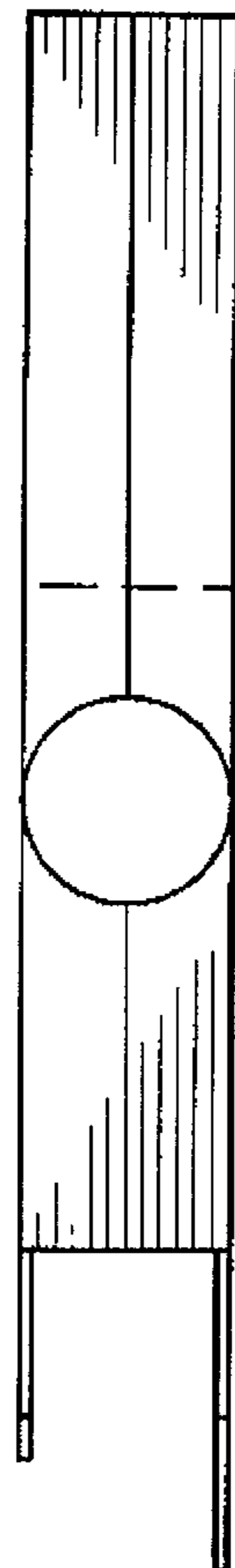


FIG. 6



FIG. 7

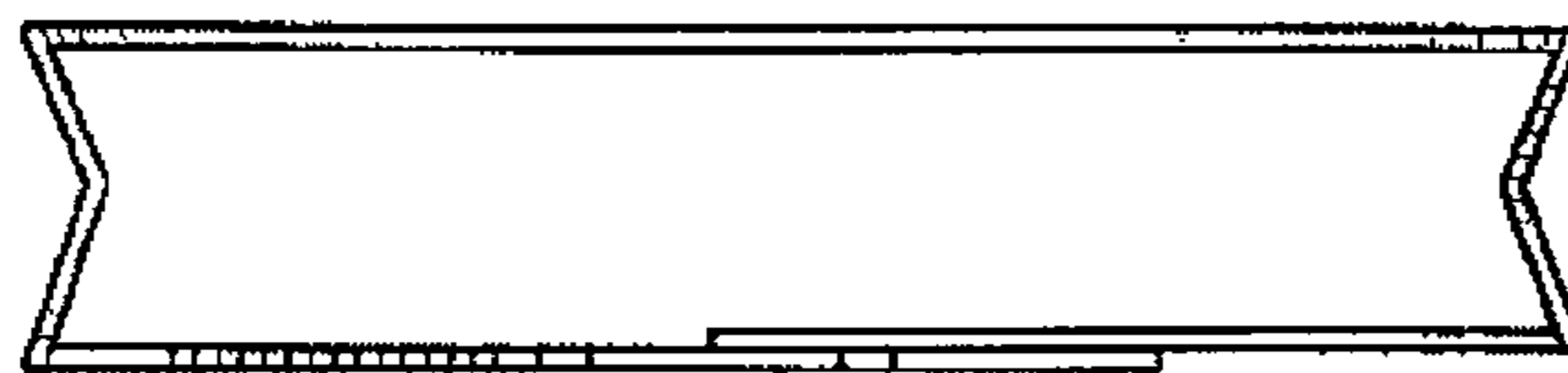


FIG. 8

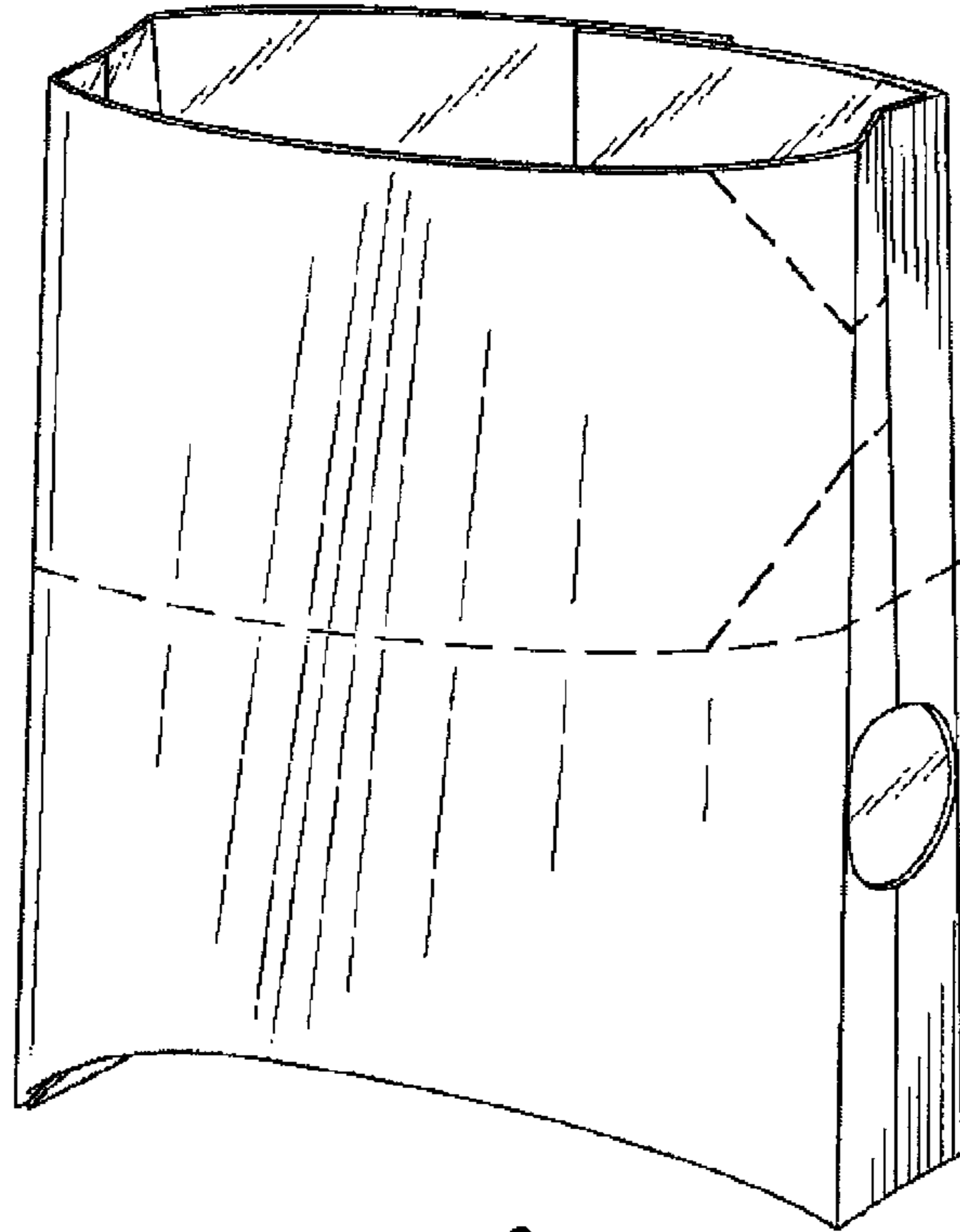


FIG. 9

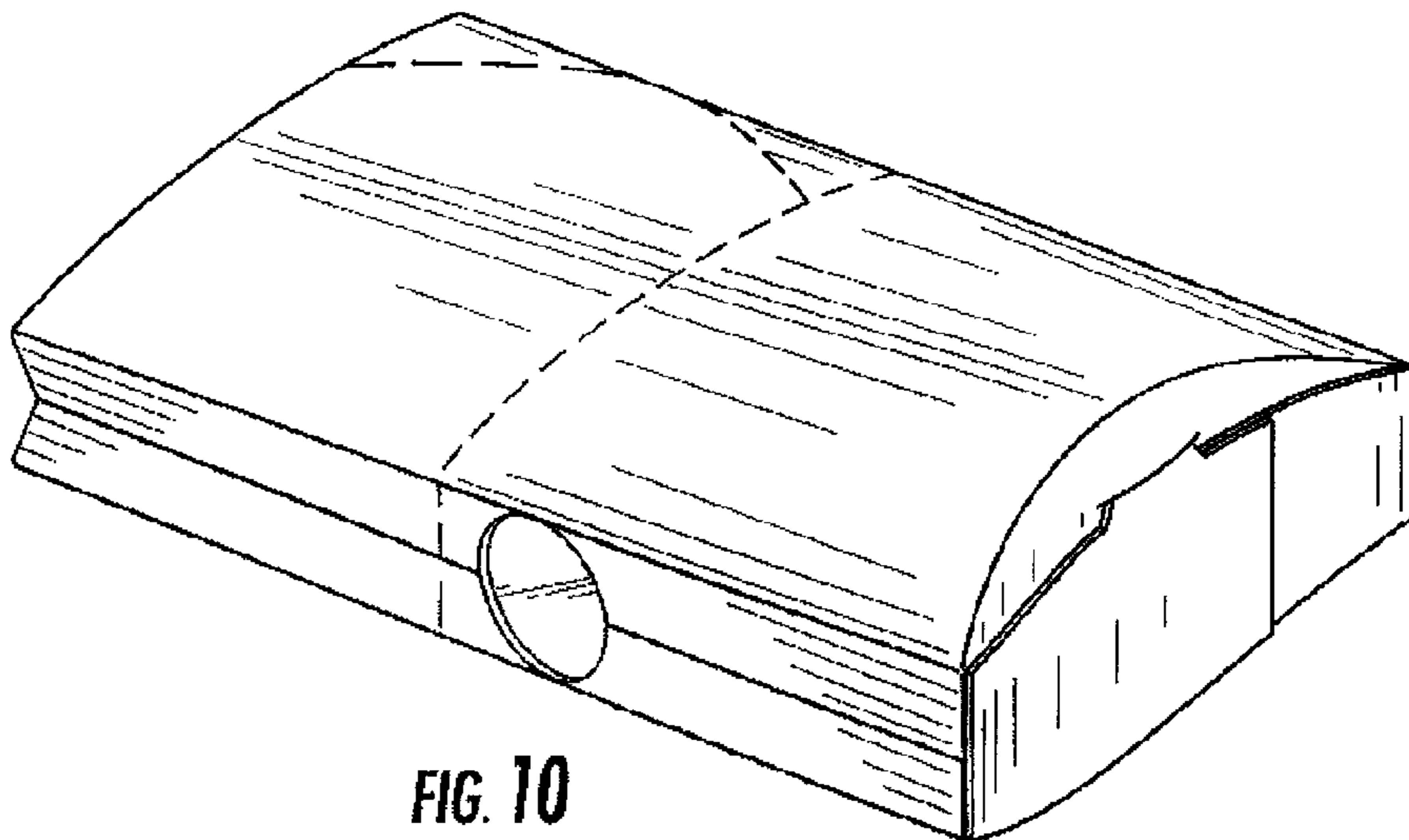


FIG. 10

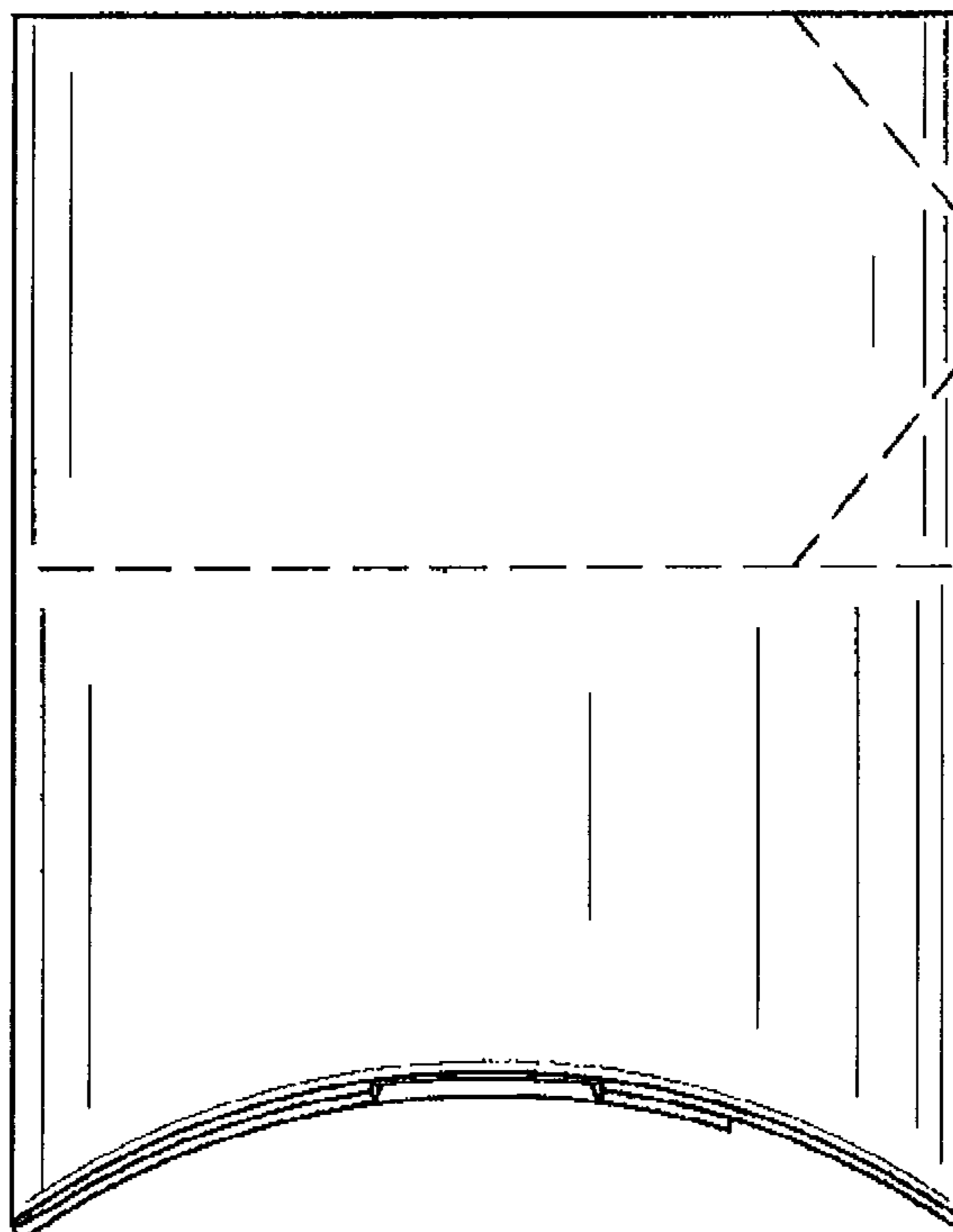


FIG. 11

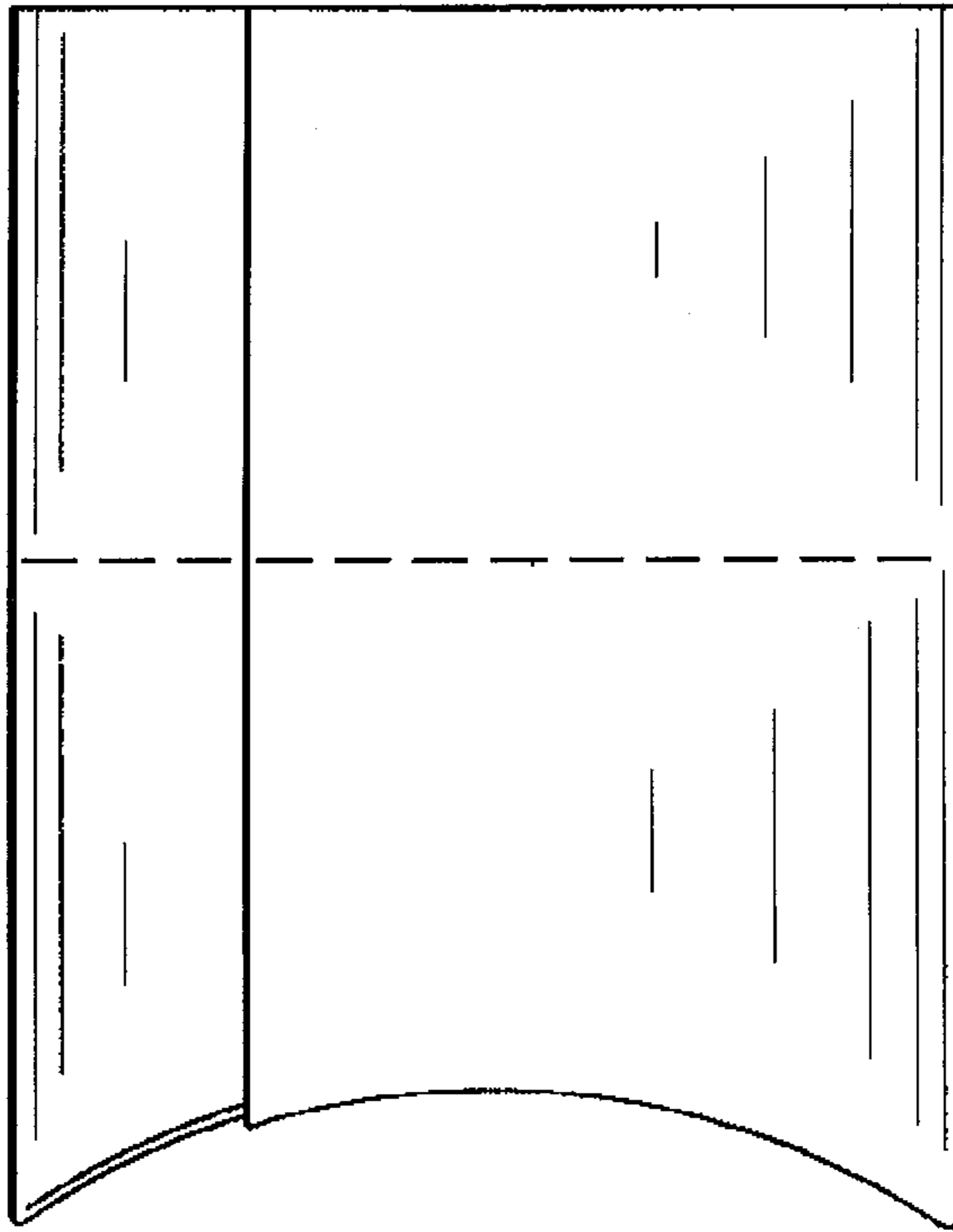


FIG. 12

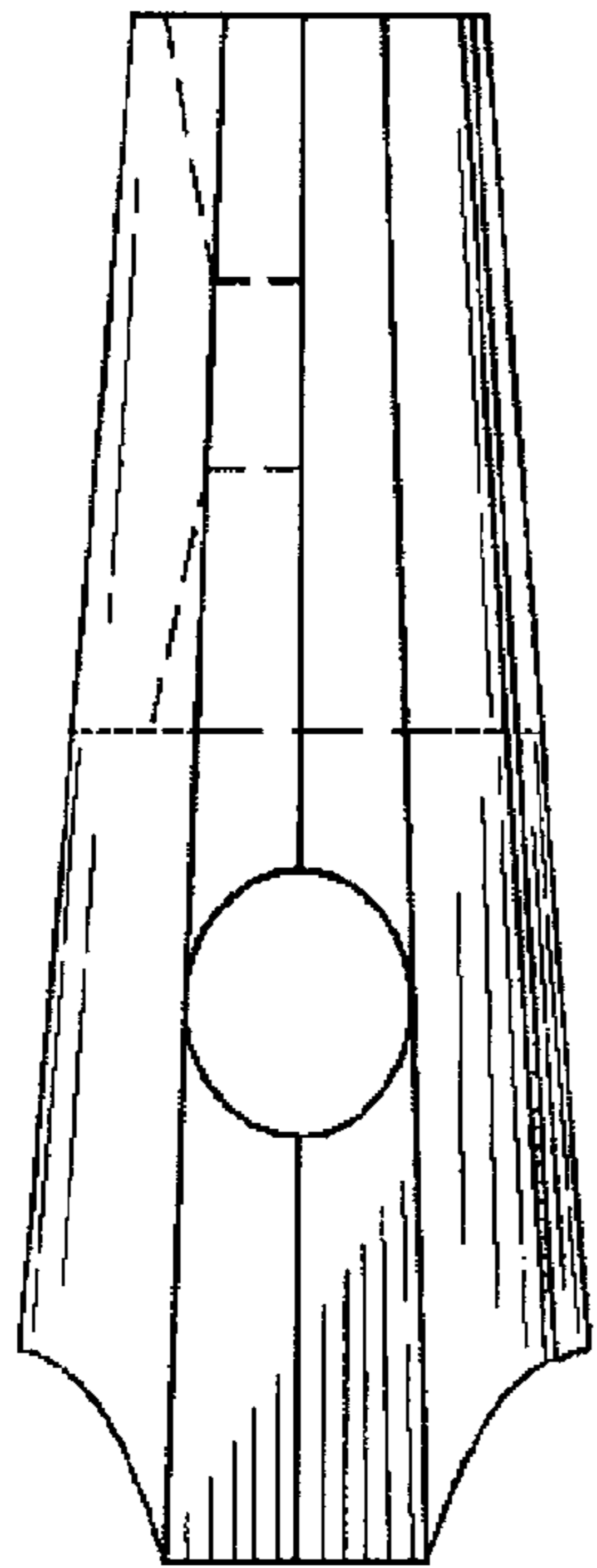


FIG. 13

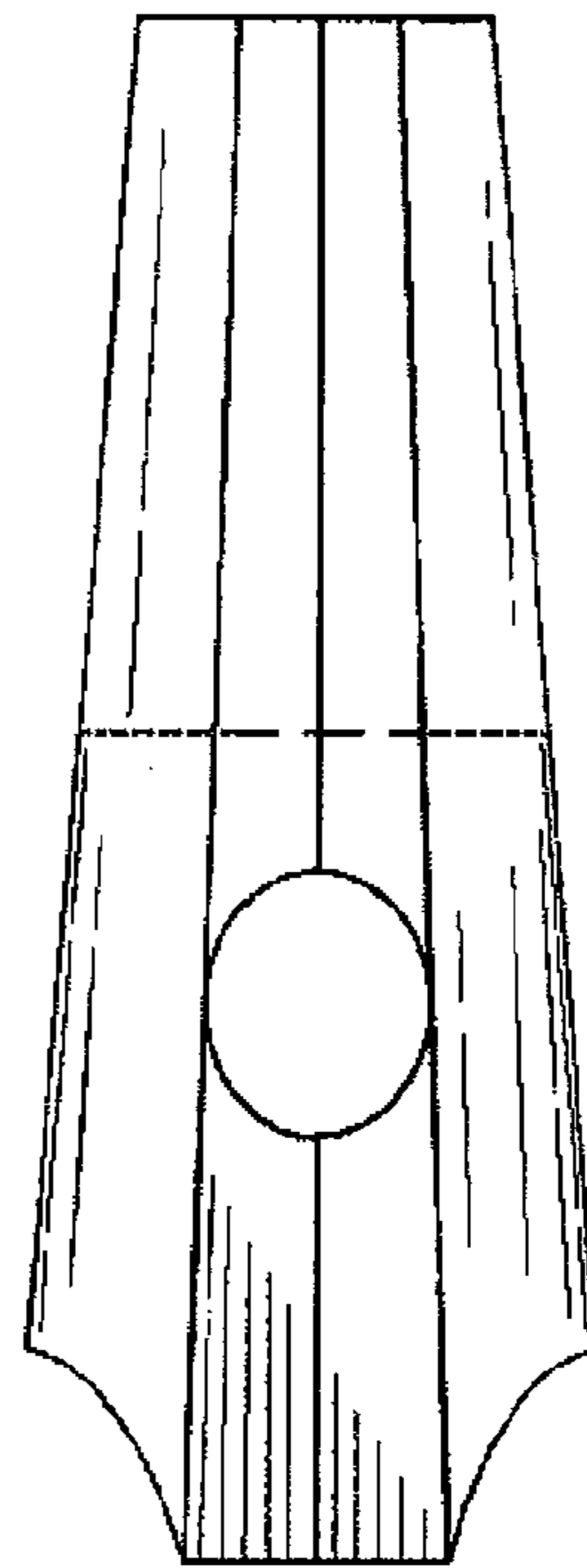


FIG. 14

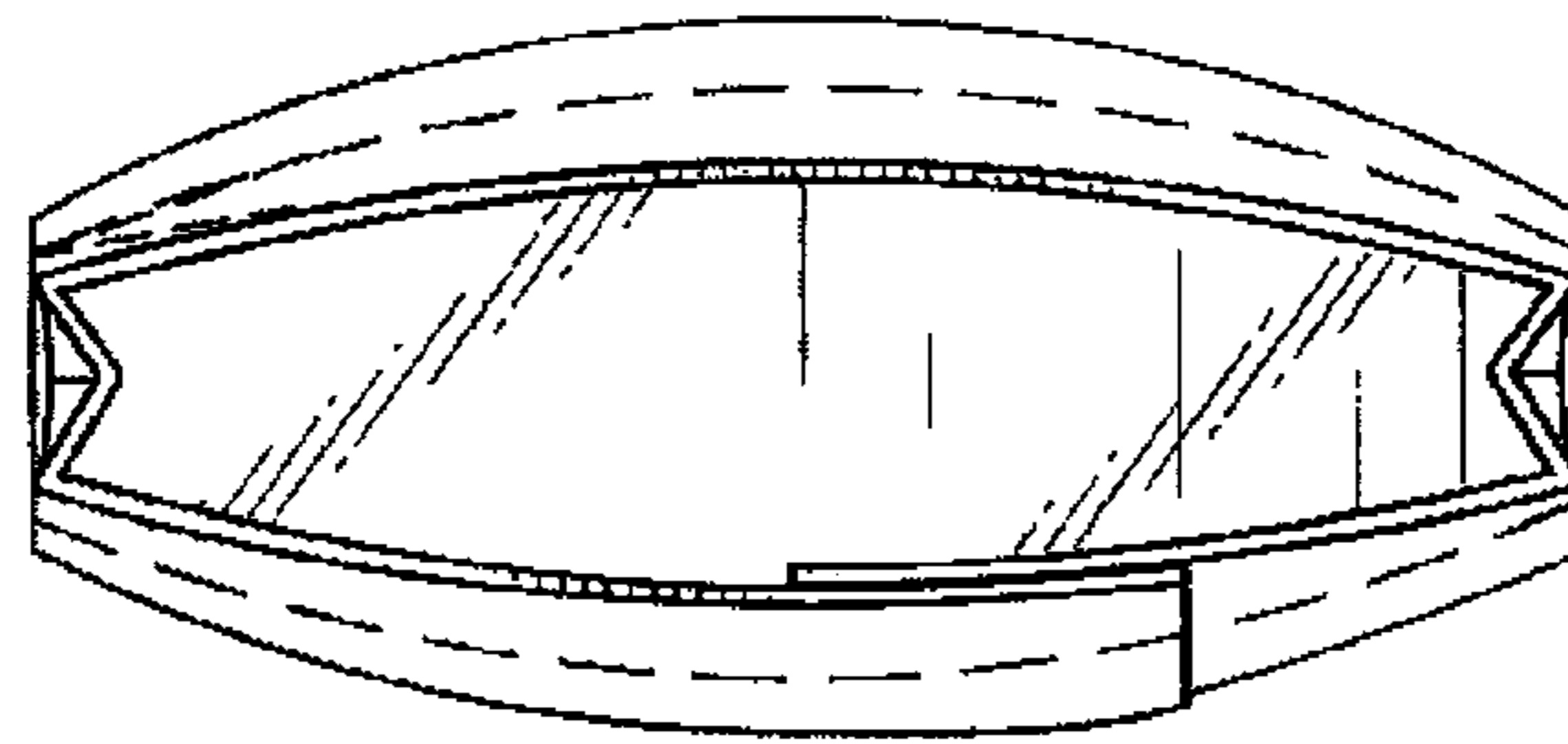


FIG. 15

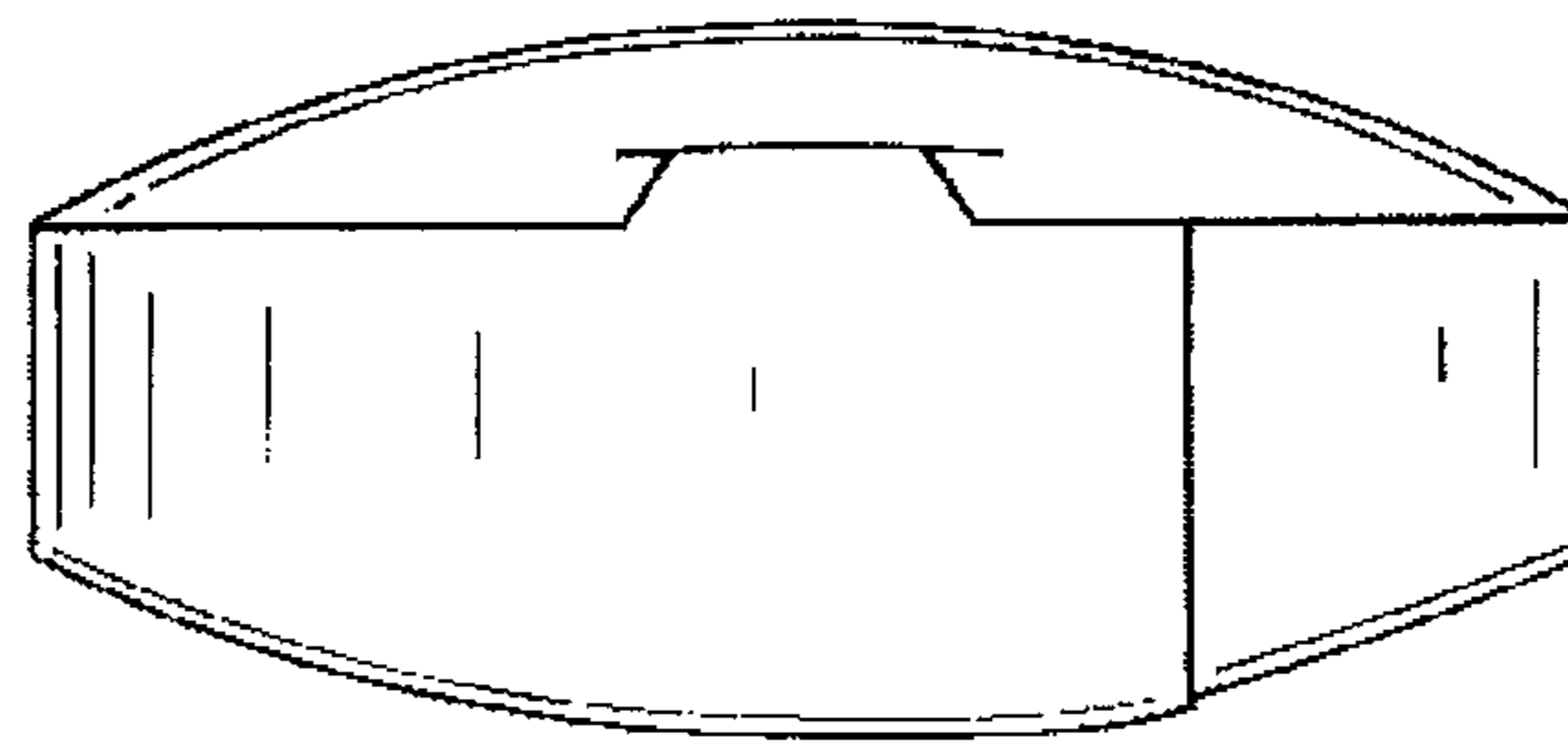


FIG. 16