



US00D694120S

(12) **United States Design Patent**
Baussan

(10) **Patent No.:** **US D694,120 S**

(45) **Date of Patent:** **** Nov. 26, 2013**

(54) **PUMP BOTTLE**

D581,800 S * 12/2008 Rica D9/574
D653,558 S * 2/2012 Kania D9/652
D655,612 S * 3/2012 Oge-Nichols D9/559

(75) Inventor: **Oliver Baussan**, Manosque (FR)

* cited by examiner

(73) Assignee: **Laboratories M&L**, Manosque (FR)

Primary Examiner — Sandra Morris

(**) Term: **14 Years**

(74) *Attorney, Agent, or Firm* — Roberts Mlotkowski Safran & Cole, P.C.; David S. Safran

(21) Appl. No.: **29/432,054**

(22) Filed: **Sep. 13, 2012**

(30) **Foreign Application Priority Data**

Jul. 20, 2012 (EM) 002077107-0001

(51) **LOC (9) Cl.** **09-01**

(52) **U.S. Cl.**
USPC **D9/652; D9/694; D9/560**

(58) **Field of Classification Search**
USPC D9/69, 516, 559–561, 600, 652, 667;
206/457, 527; 215/400; 220/890
See application file for complete search history.

(56) **References Cited**

U.S. PATENT DOCUMENTS

D266,987 S * 11/1982 Perez Carasa y Perez de
Guzman D9/694
D357,179 S * 4/1995 Nedstedt D9/560
D457,036 S * 5/2002 Manuel D7/533
D491,070 S * 6/2004 Boldrini et al. D9/560
D527,646 S * 9/2006 Cornet et al. D9/560
D555,002 S * 11/2007 Lloyd et al. D9/560
D566,569 S * 4/2008 Matthiesen D9/516
D579,785 S * 11/2008 Rica D9/574
D580,773 S * 11/2008 Rica D9/574

(57) **CLAIM**

The ornamental design for a pump bottle, as shown in the accompanying drawings.

DESCRIPTION

FIG. 1 is a perspective view of the design of a pump bottle in accordance with the present invention as seen looking toward the front right corner.

FIG. 2 is a top view of the bottle top of the design of the pump bottle in accordance with the present invention.

FIG. 3 is a bottom view of the pump bottle in accordance with the present invention.

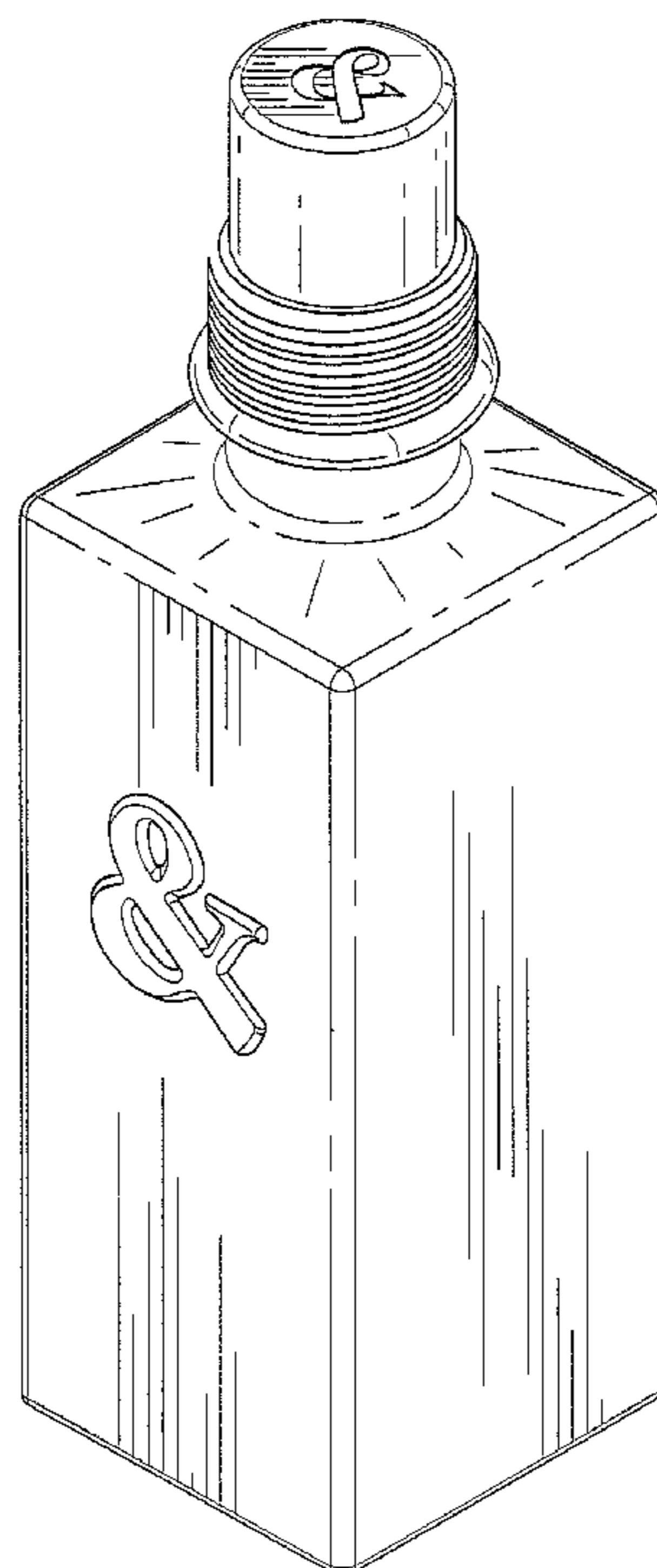
FIG. 4 is a front view of the pump bottle in accordance with the present invention.

FIG. 5 is a right side view of the pump bottle in accordance with the present invention.

FIG. 6 is a back view of the pump bottle in accordance with the present invention; and,

FIG. 7 is a left side view of the pump bottle in accordance with the present invention.

1 Claim, 3 Drawing Sheets



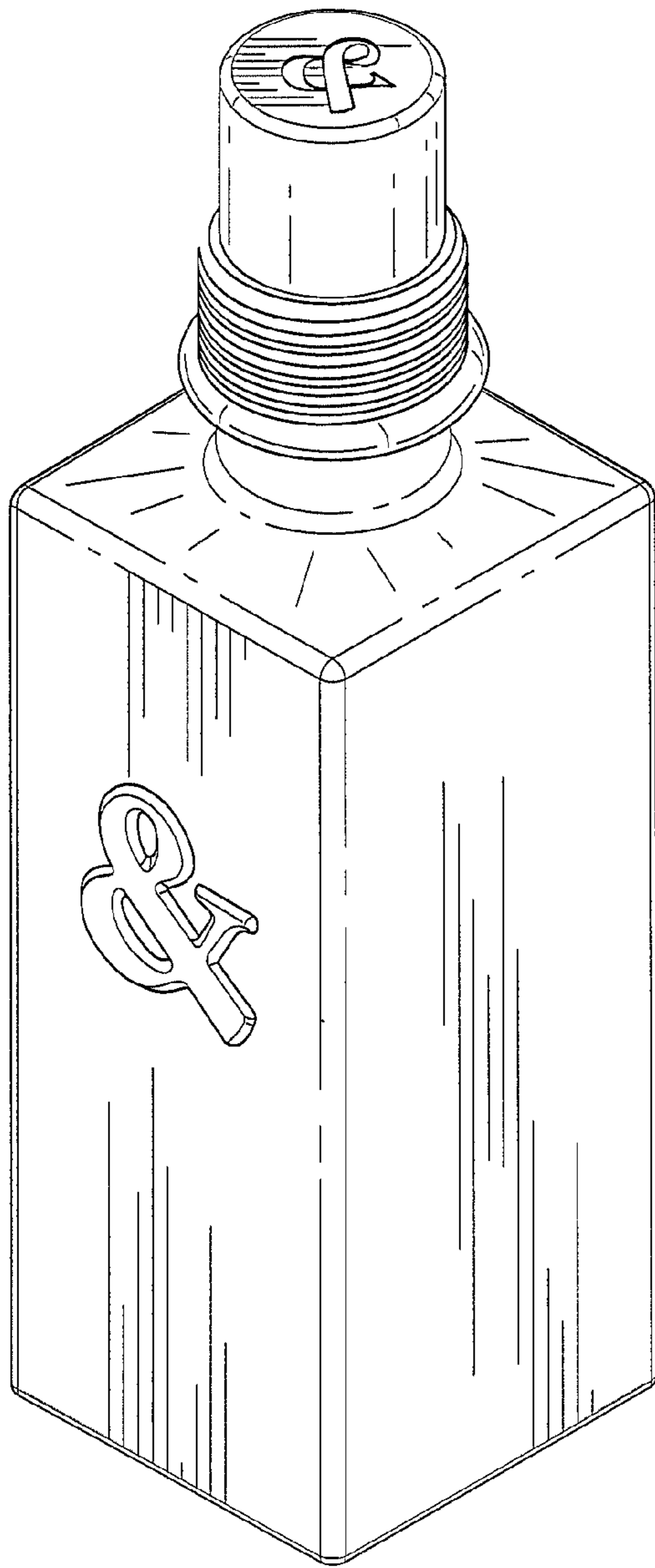


FIG. 1

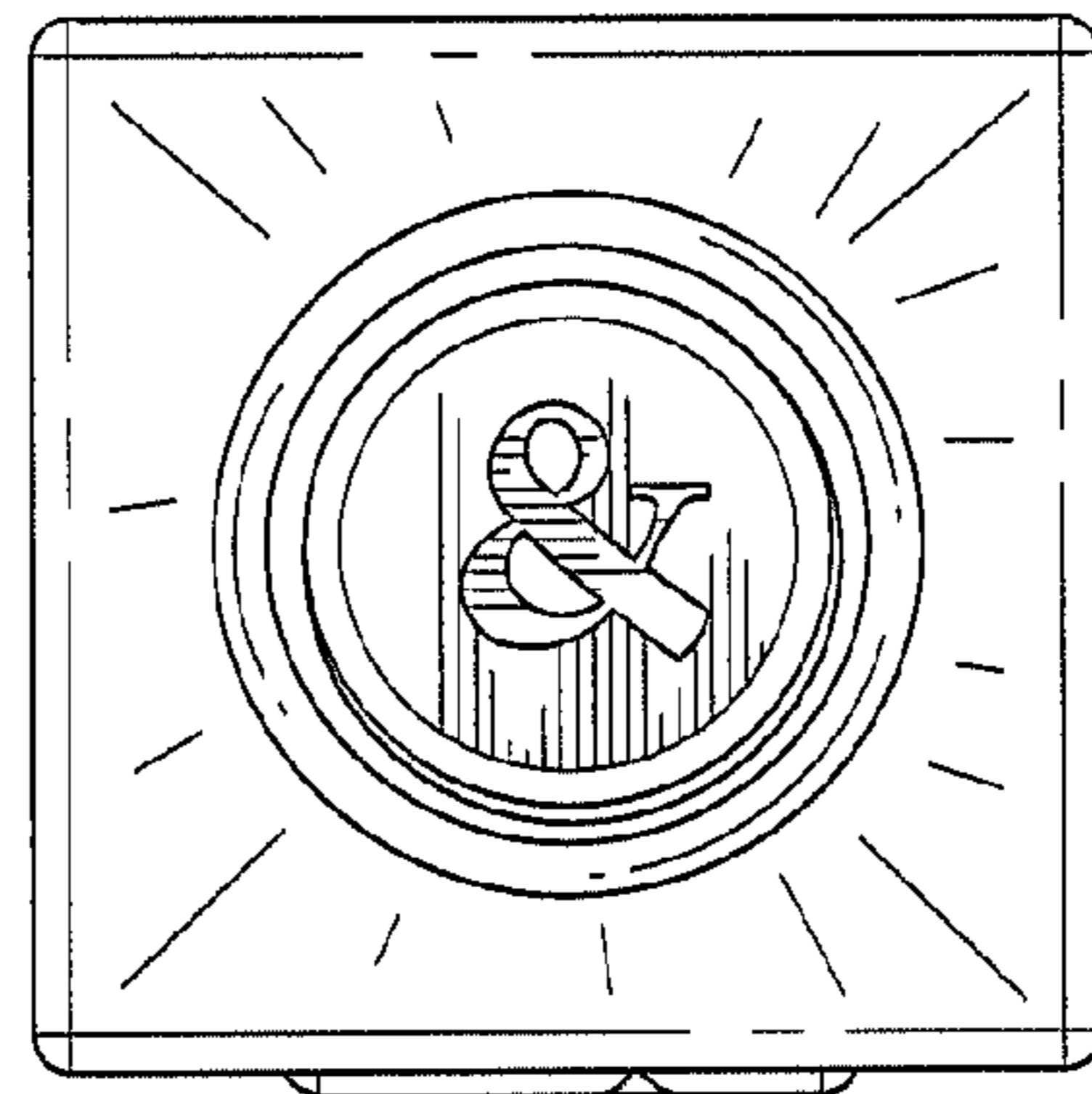


FIG. 2

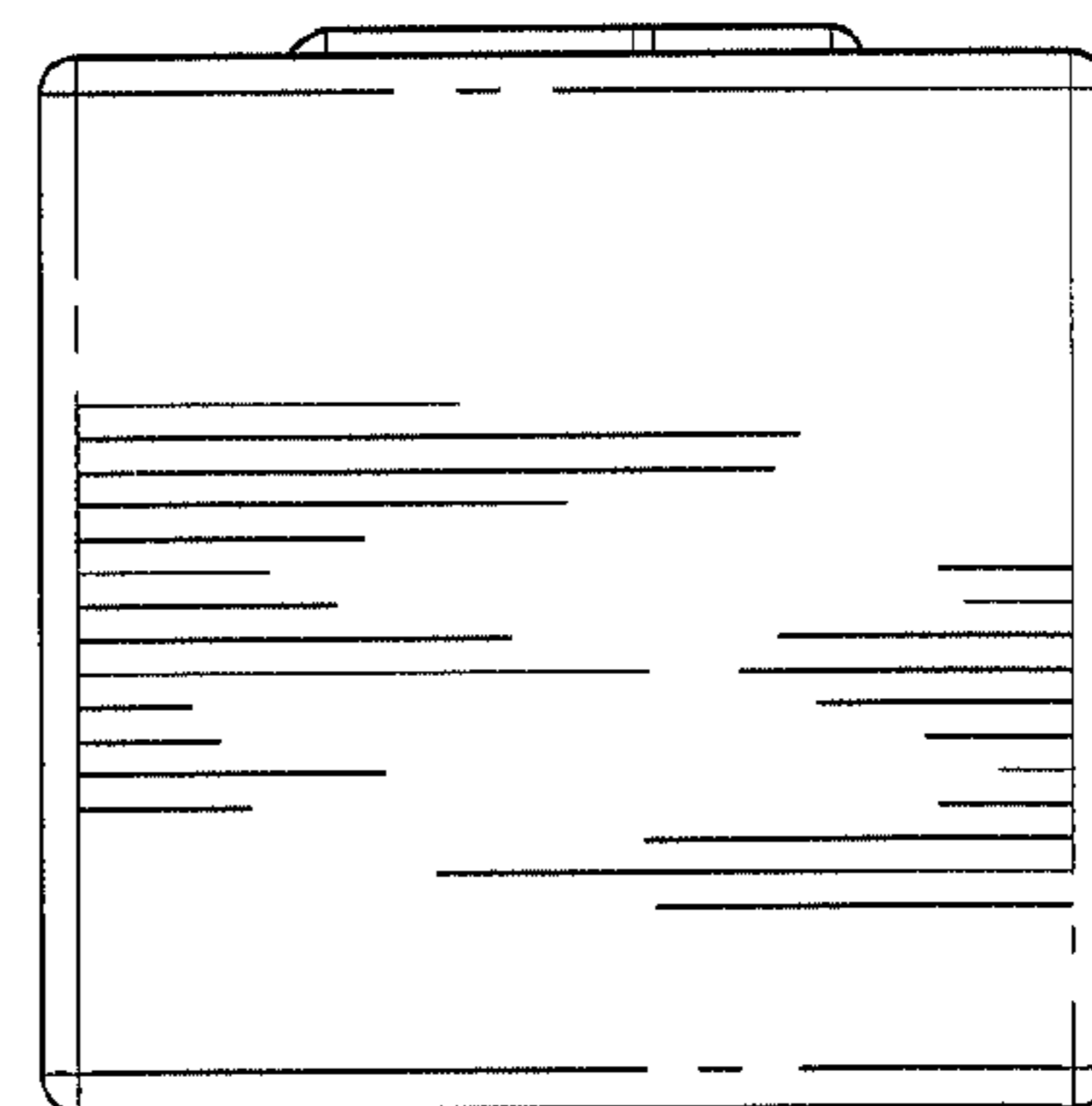


FIG. 3

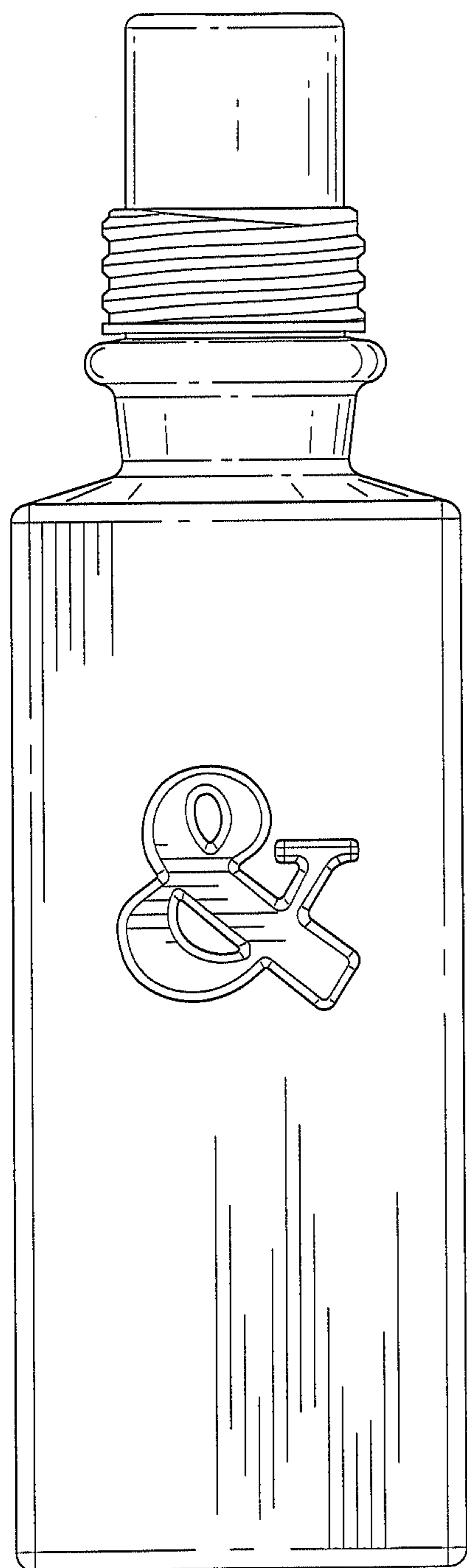


FIG. 4

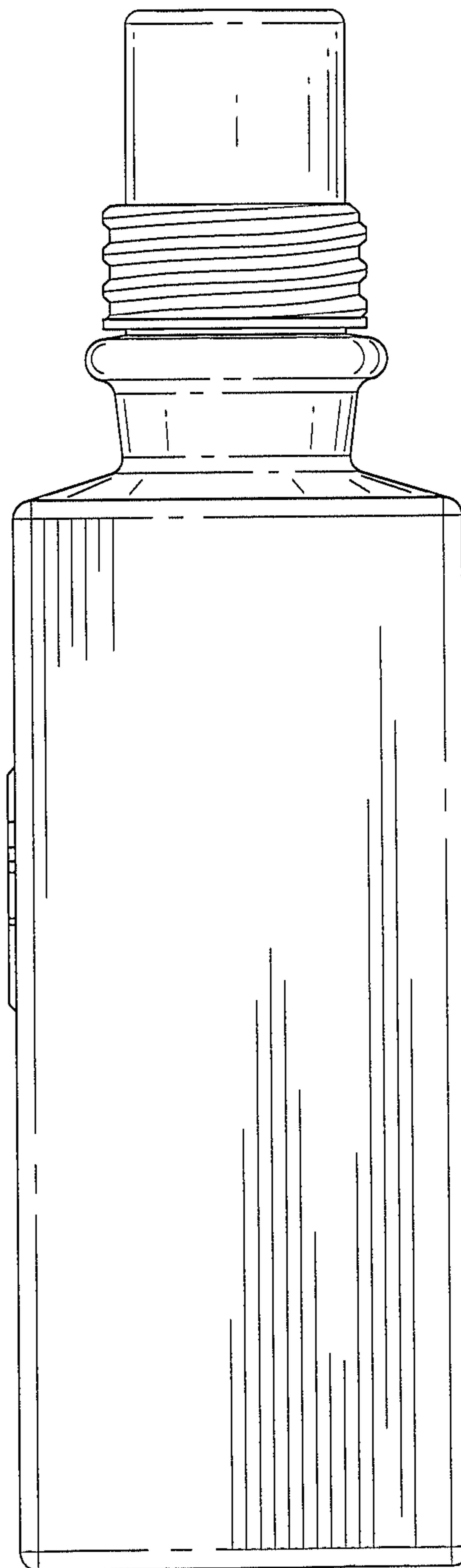


FIG. 5

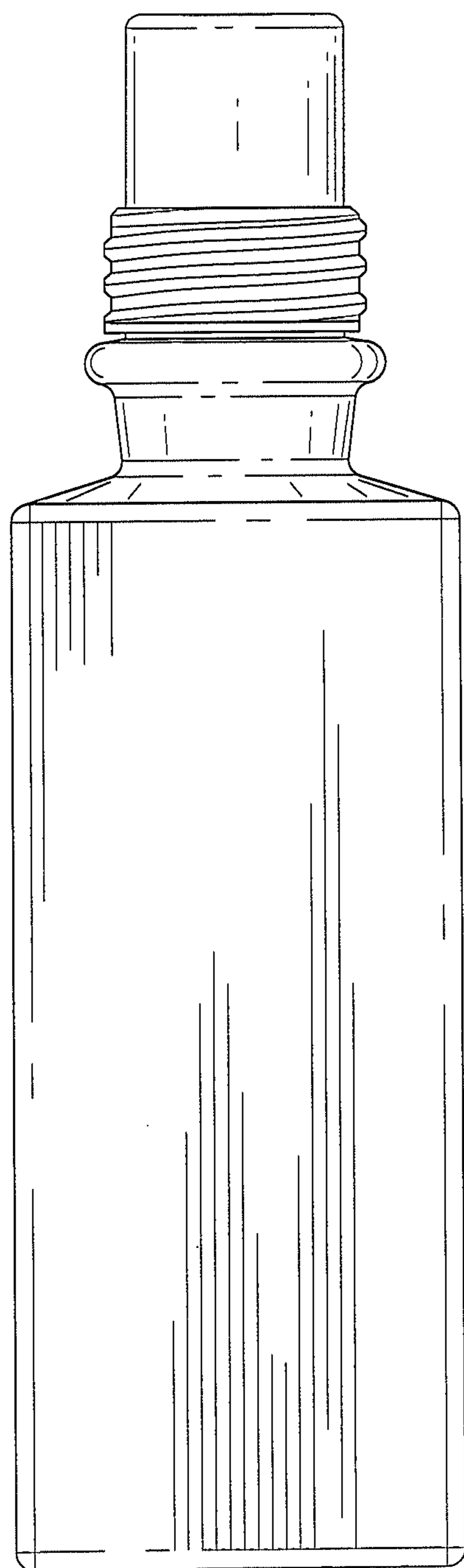


FIG. 6

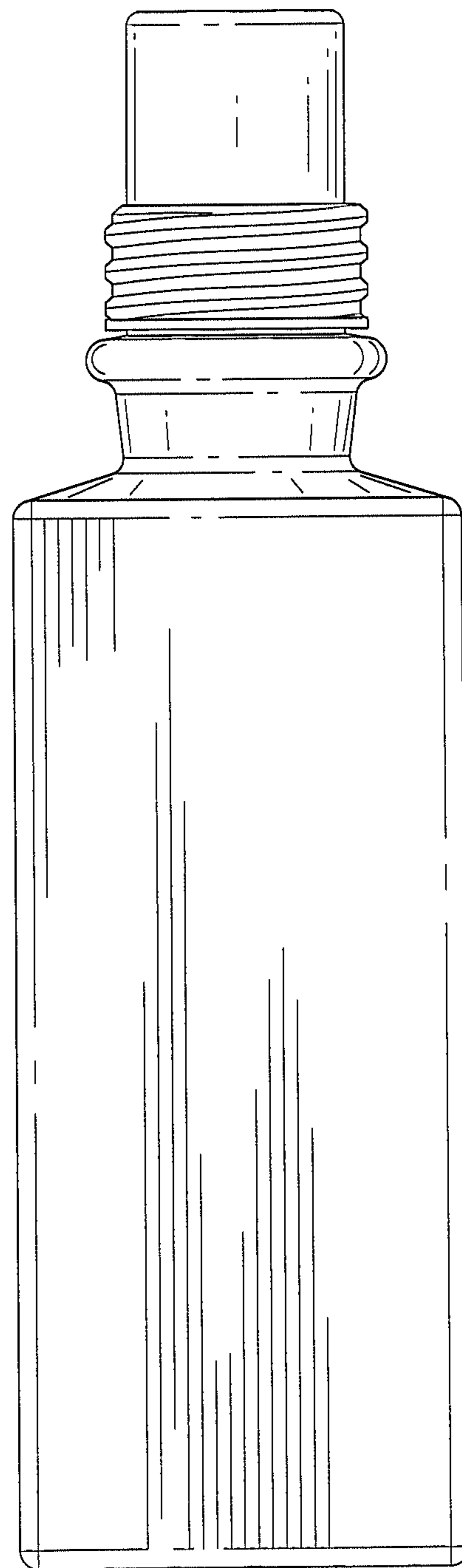


FIG. 7