



US00D694111S

(12) **United States Design Patent**
Porter et al.

(10) **Patent No.:** **US D694,111 S**

(45) **Date of Patent:** **** Nov. 26, 2013**

(54) **PREFORM FOR DOSING BOTTLE**

(75) Inventors: **Randal D. Porter**, Norcross, GA (US);
William J. Peek, Lawrenceville, GA
(US); **Brian J. Benell**, Monroe, GA (US)

(73) Assignee: **Silgan Plastics LLC**, Chesterfield, MO
(US)

(**) Term: **14 Years**

(21) Appl. No.: **29/404,738**

(22) Filed: **Oct. 25, 2011**

Related U.S. Application Data

(63) Continuation of application No. 12/003,300, filed on
Dec. 21, 2007, now Pat. No. 8,057,733.

(51) **LOC (9) Cl.** **09-01**

(52) **U.S. Cl.**
USPC **D9/500; D9/521**

(58) **Field of Classification Search**
USPC D9/682, 686, 688-692, 516, 500,
D9/502-505, 529, 539-540, 542-545, 549,
D9/558, 574-575, 435, 454; 215/379,
215/381-384; 220/660, 662, 669, 675;
D7/591, 597, 679; D28/4, 76
See application file for complete search history.

(56) **References Cited**

U.S. PATENT DOCUMENTS

3,347,420	A	10/1967	Donoghue	
3,581,953	A	6/1971	Donoghue	
3,628,700	A	12/1971	Donoghue	
D225,526	S *	12/1972	Baum	D24/224
3,900,120	A *	8/1975	Sincock	215/40 X
4,070,140	A	1/1978	Lucas et al.	
4,201,316	A	5/1980	Klingaman	
4,451,426	A	5/1984	Branchadell	

D281,534	S *	11/1985	Ushikubo	D24/224
D285,115	S *	8/1986	Proud et al.	D24/224
4,603,831	A	8/1986	Krishnakumar et al.	
D288,662	S	3/1987	Obuchowski	
4,646,925	A	3/1987	Nohara	
4,671,763	A	6/1987	Weiler	
4,715,504	A	12/1987	Chang et al.	
4,818,575	A	4/1989	Hirata et al.	
D304,681	S	11/1989	Metaxa	
4,915,992	A *	4/1990	Takakusaki et al.	215/371 X
4,954,376	A	9/1990	Krishnakumar et al.	
D310,963	S	10/1990	Segati	
4,971,226	A	11/1990	Donoghue	
D313,935	S	1/1991	Miller	
D316,815	S	5/1991	Kalin et al.	
5,049,349	A	9/1991	McCullough et al.	

(Continued)

OTHER PUBLICATIONS

U.S. Appl. No. 13/226,175, filed Sep. 6, 2011, Porter et al.

Primary Examiner — Carol P Rademaker

(74) *Attorney, Agent, or Firm* — Reinhart Boerner Van
Deuren s.c.

(57) **CLAIM**

We claim the ornamental design for a preform for dosing
bottle, as shown and described.

DESCRIPTION

FIG. 1 is a top, front perspective view of a preform for dosing
bottle, showing our new design and shown in a partially
inverted orientation;

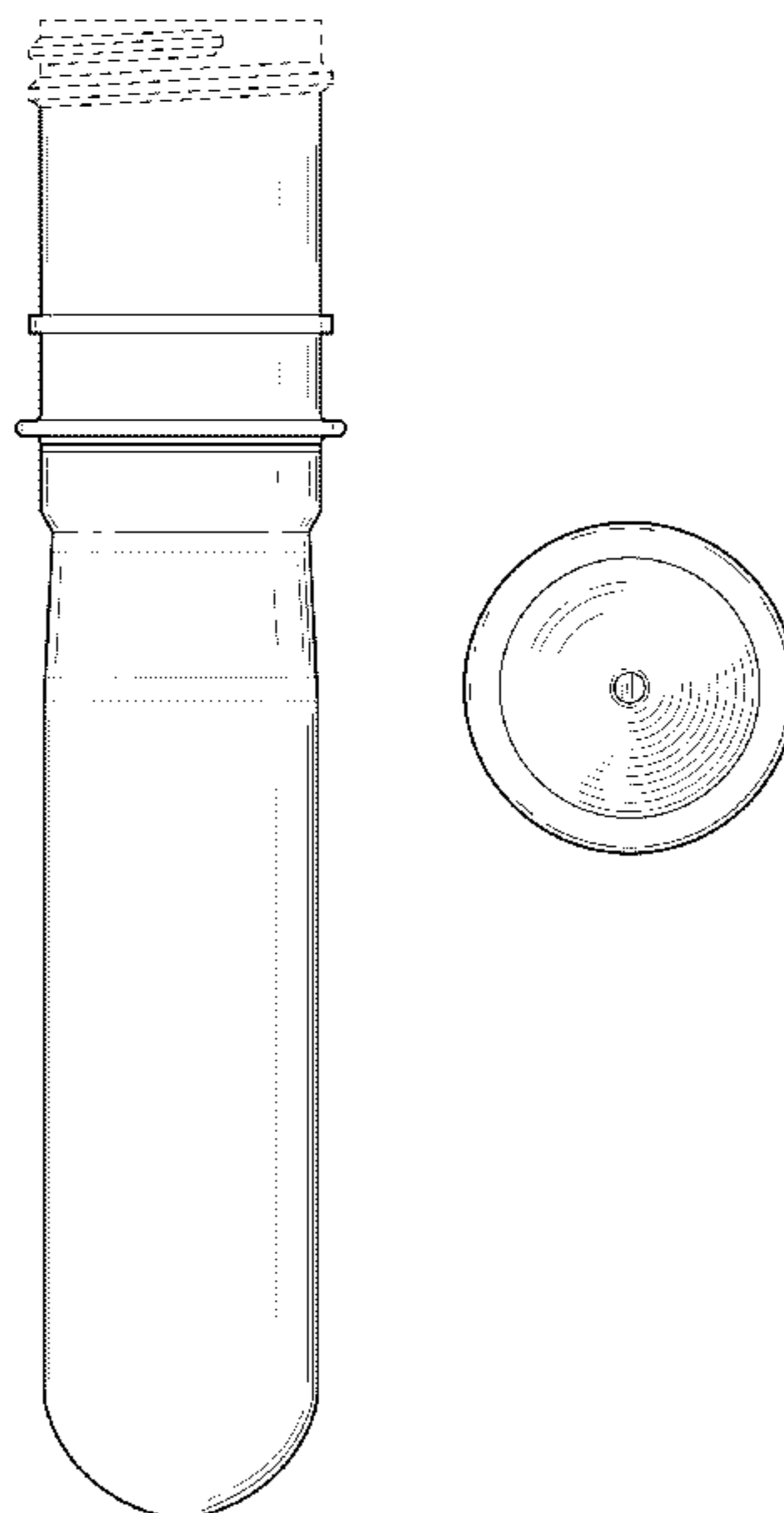
FIG. 2 is a front elevational view of the preform for dosing
bottle in FIG. 1, shown in an upright orientation;

FIG. 3 top plan view thereof; and,

FIG. 4 bottom plan view thereof.

The broken lines shown in the drawing views are included for
the purpose of showing environmental structure that forms no
part of the claimed design.

1 Claim, 3 Drawing Sheets



(56)

References Cited

U.S. PATENT DOCUMENTS

D321,651 S	11/1991	Cochran	6,572,812 B2	6/2003	Collette et al.
D321,829 S	11/1991	Iazzetta	D484,419 S	12/2003	Potocki et al.
D323,617 S	2/1992	Miller	RE38,396 E *	1/2004	Gellert 425/526
5,122,325 A	6/1992	Bartley et al.	6,673,303 B2	1/2004	White et al.
D336,046 S	6/1993	Donoghue	6,681,548 B2	1/2004	Silvers et al.
5,255,889 A	10/1993	Collette et al.	D486,072 S	2/2004	Potocki et al.
D342,028 S *	12/1993	Stenger D9/521	6,709,624 B2	3/2004	Lisch et al.
5,330,081 A	7/1994	Davenport	6,808,820 B2 *	10/2004	Lee et al. 428/480
5,364,585 A	11/1994	Takeuchi	D498,144 S	11/2004	Illenberger et al.
D353,324 S	12/1994	Rice, III	D505,079 S	5/2005	Mulder et al.
D356,502 S	3/1995	Poandl	6,890,621 B2	5/2005	Nakamura et al.
D357,416 S	4/1995	Valentine	D511,460 S	11/2005	Deubel et al.
5,411,698 A	5/1995	Mero et al.	D512,316 S	12/2005	Illenberger et al.
D360,363 S	7/1995	Minale	D583,481 S *	12/2008	Yamamoto et al. D24/224
D360,831 S	8/1995	Boisset	D607,731 S *	1/2010	Soliman D9/521
5,447,766 A	9/1995	Orimoto et al.	7,717,057 B2 *	5/2010	Hutchinson et al. 118/412
5,588,544 A	12/1996	Takashima et al.	D633,392 S *	3/2011	Northrop et al. D9/521
D379,765 S	6/1997	Hencher	D644,536 S *	9/2011	Witz et al. D9/740
D387,993 S	12/1997	Workman et al.	D646,973 S	10/2011	Flanagan-Kent et al.
D388,712 S	1/1998	Lyngdal et al.	D646,981 S	10/2011	Flanagan-Kent et al.
5,735,420 A	4/1998	Nakamaki et al.	8,057,733 B2	11/2011	Begley et al.
5,780,130 A	7/1998	Hansen et al.	D664,165 S *	7/2012	Witz D15/136
D400,434 S	11/1998	Amos et al.	8,435,027 B2 *	5/2013	Nemoto et al. 425/525
5,888,598 A	3/1999	Brewster et al.	2002/0037338 A1	3/2002	Lisch et al.
5,911,344 A	6/1999	Kieras	2002/0037377 A1 *	3/2002	Schmidt et al. 428/35.8
5,918,752 A	7/1999	Meyer	2003/0077349 A1	4/2003	Derouault et al.
6,082,565 A	7/2000	Harrold	2004/0247735 A1 *	12/2004	Hutchinson et al. 425/533
6,209,762 B1	4/2001	Haffner et al.	2006/0051451 A1	3/2006	Hutchinson et al.
6,217,819 B1	4/2001	Wunderlich	2006/0204694 A1	9/2006	Porter et al.
D450,597 S	11/2001	Bobchenok et al.	2008/0038500 A1 *	2/2008	Page et al. 428/36.92
6,312,641 B1	11/2001	Hutchinson	2009/0085261 A1	4/2009	Porter et al.
D452,159 S	12/2001	Belser et al.	2009/0159482 A1	6/2009	Begley et al.
6,382,954 B1	5/2002	Mai	2010/0307633 A1 *	12/2010	Dierickx 220/602 X
6,568,156 B2	5/2003	Silvers et al.	2012/0061883 A1 *	3/2012	Gottlieb et al. 264/513
			2012/0263902 A1 *	10/2012	Hanan 428/36.92
			2012/0306126 A1 *	12/2012	Fuss et al. 264/512
			2013/0071592 A1 *	3/2013	Liu et al. 428/36.4

* cited by examiner

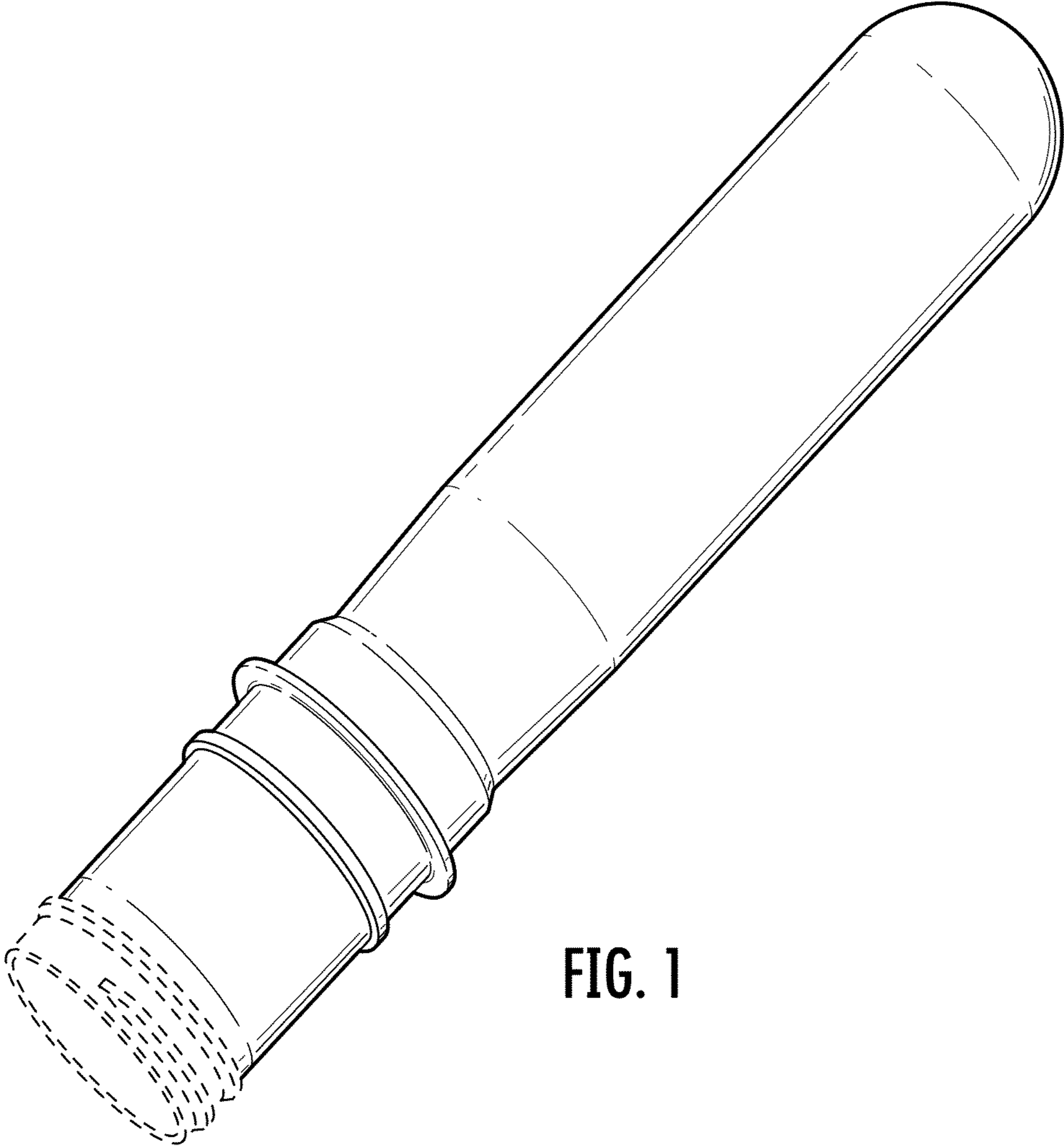


FIG. 1

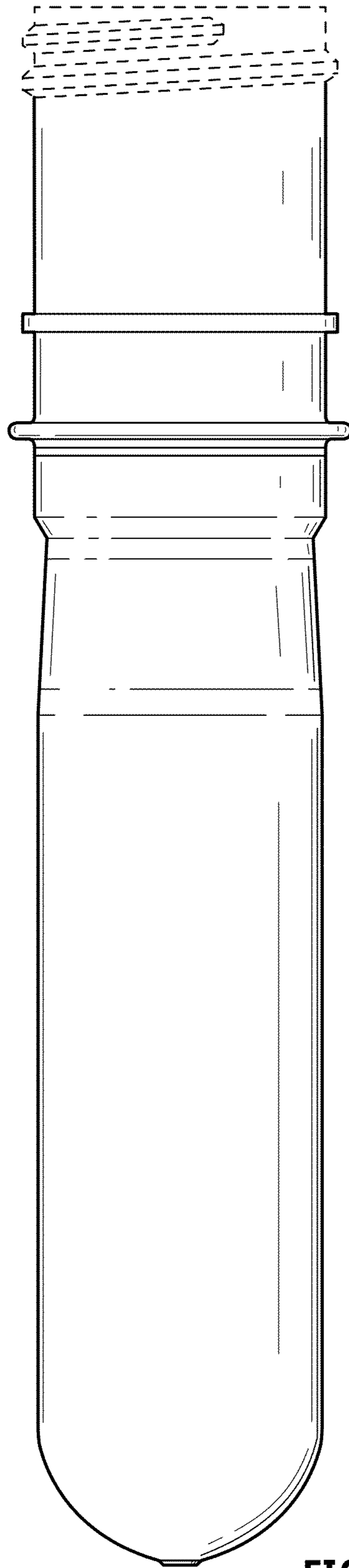


FIG. 2

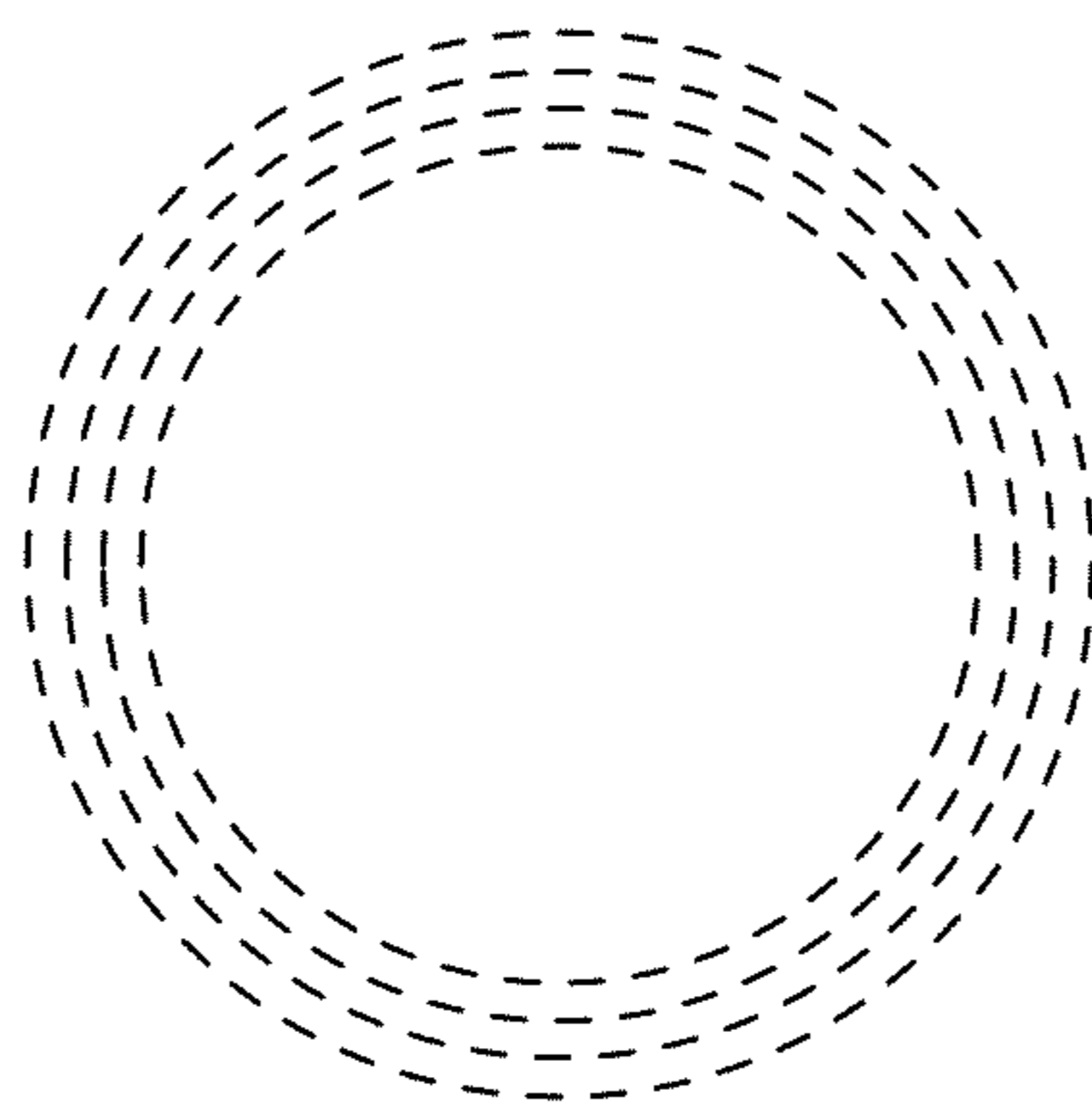


FIG. 3

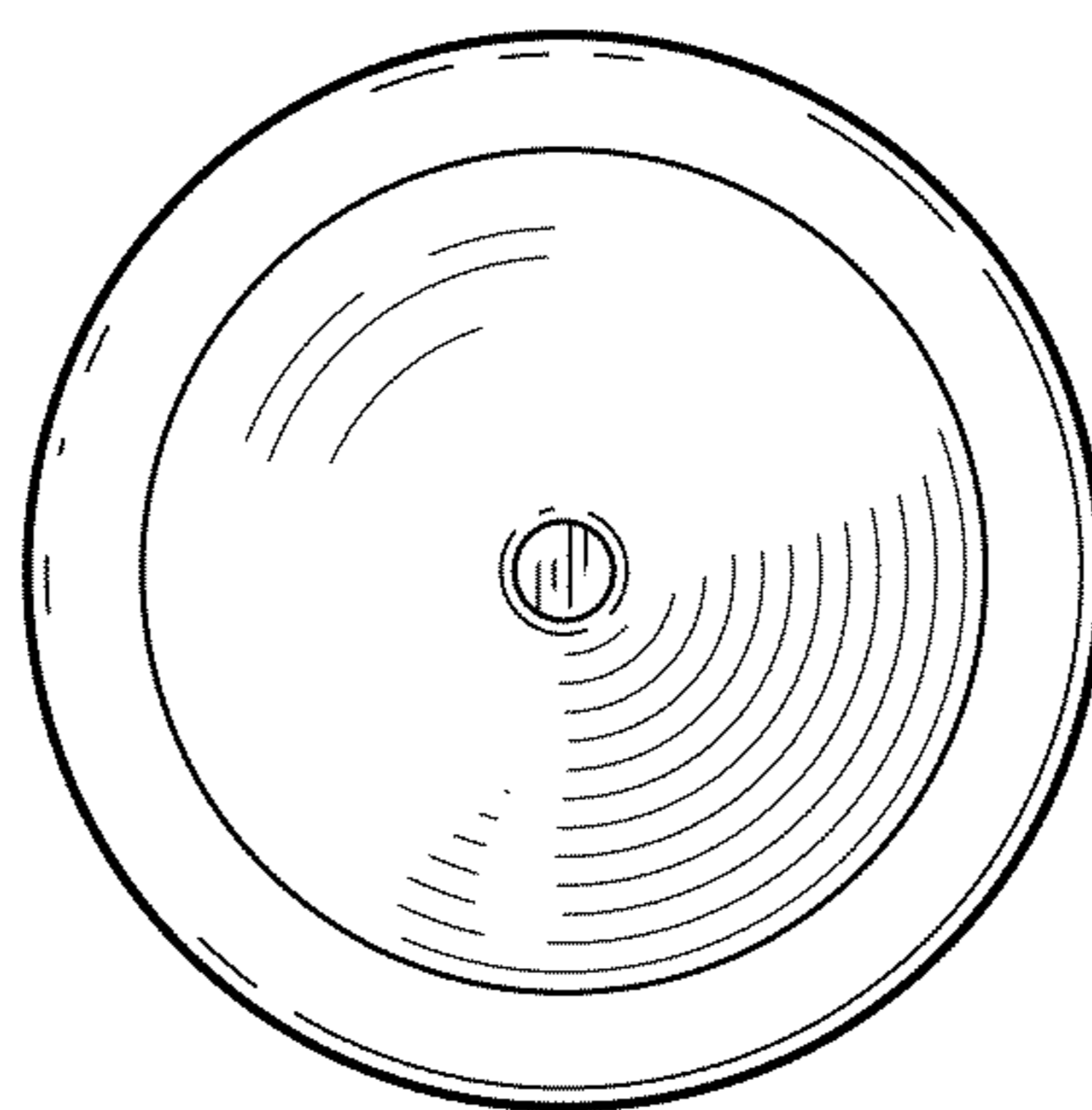


FIG. 4