



US00D694109S

(12) **United States Design Patent**
Tanner

(10) **Patent No.:** **US D694,109 S**

(45) **Date of Patent:** **** Nov. 26, 2013**

(54) **CAP WITH SEPTUM**

(75) Inventor: **Rolf Tanner**, Löhningen (CH)

(73) Assignee: **TPP Techno Plastic Products AG** (CH)

(**) Term: **14 Years**

(21) Appl. No.: **29/427,989**

(22) Filed: **Jul. 24, 2012**

(51) **LOC (9) Cl.** **09-07**

(52) **U.S. Cl.**
USPC **D9/453; D9/452; D9/447**

(58) **Field of Classification Search**
USPC D9/455, 454, 453, 444, 440, 435, 434;
D7/396.2; 222/490; 220/903, 739, 200;
215/200, 252, 254, 340

See application file for complete search history.

(56) **References Cited**

U.S. PATENT DOCUMENTS

| | | | | |
|---------------|---------|--------------|-------|---------|
| D63,273 S * | 11/1923 | Switzer | | D7/392 |
| 2,585,527 A * | 2/1952 | Adams | | 222/490 |
| D318,804 S * | 8/1991 | Ochs | | D9/453 |
| D527,633 S * | 9/2006 | Stull et al. | | D9/454 |
| D571,310 S * | 6/2008 | Collins | | D13/171 |

| | | | | |
|--------------|---------|-----------------|-------|--------|
| D584,149 S * | 1/2009 | Lohrman et al. | | D9/453 |
| D606,864 S * | 12/2009 | Robinson | | D9/453 |
| D617,192 S * | 6/2010 | Casey et al. | | D9/453 |
| D632,958 S * | 2/2011 | Fuchs | | D9/453 |
| D637,081 S * | 5/2011 | Collins | | D9/453 |
| D671,834 S * | 12/2012 | Chasteen et al. | | D9/453 |
| D674,277 S * | 1/2013 | Hanson et al. | | D9/446 |

* cited by examiner

Primary Examiner — Susan Bennett Hattan

(74) *Attorney, Agent, or Firm* — Banner & Witcoff, Ltd.

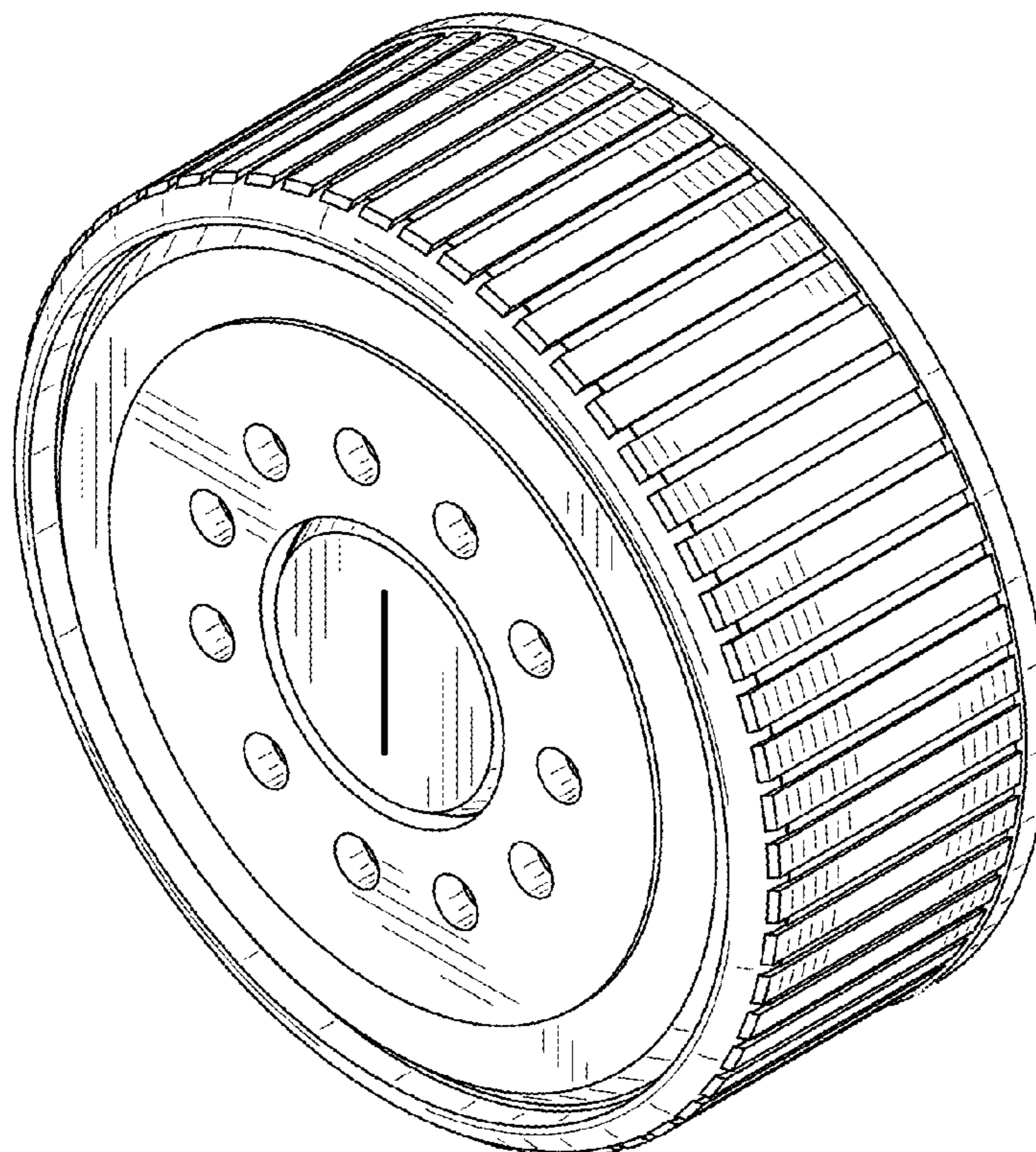
(57) **CLAIM**

The ornamental design for a cap with septum, as shown and described.

DESCRIPTION

FIG. 1 is a front perspective view of a cap with septum showing my new design;
FIG. 2 is a top view thereof, the bottom, left and right side views being identical thereto;
FIG. 3 is a front view thereof;
FIG. 4 is a rear view thereof; and,
FIG. 5 is a rear perspective view thereof.

1 Claim, 3 Drawing Sheets



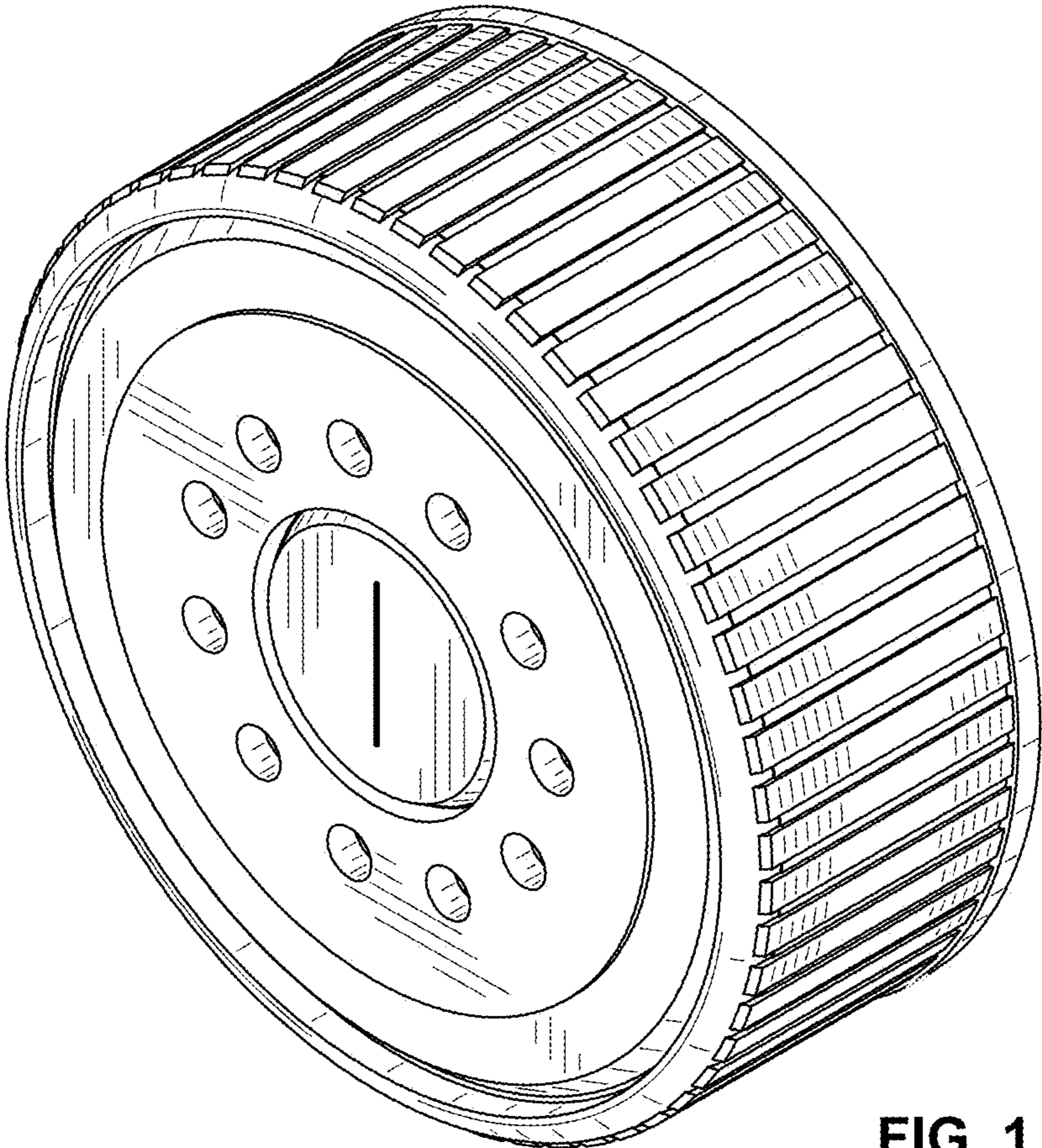


FIG. 1

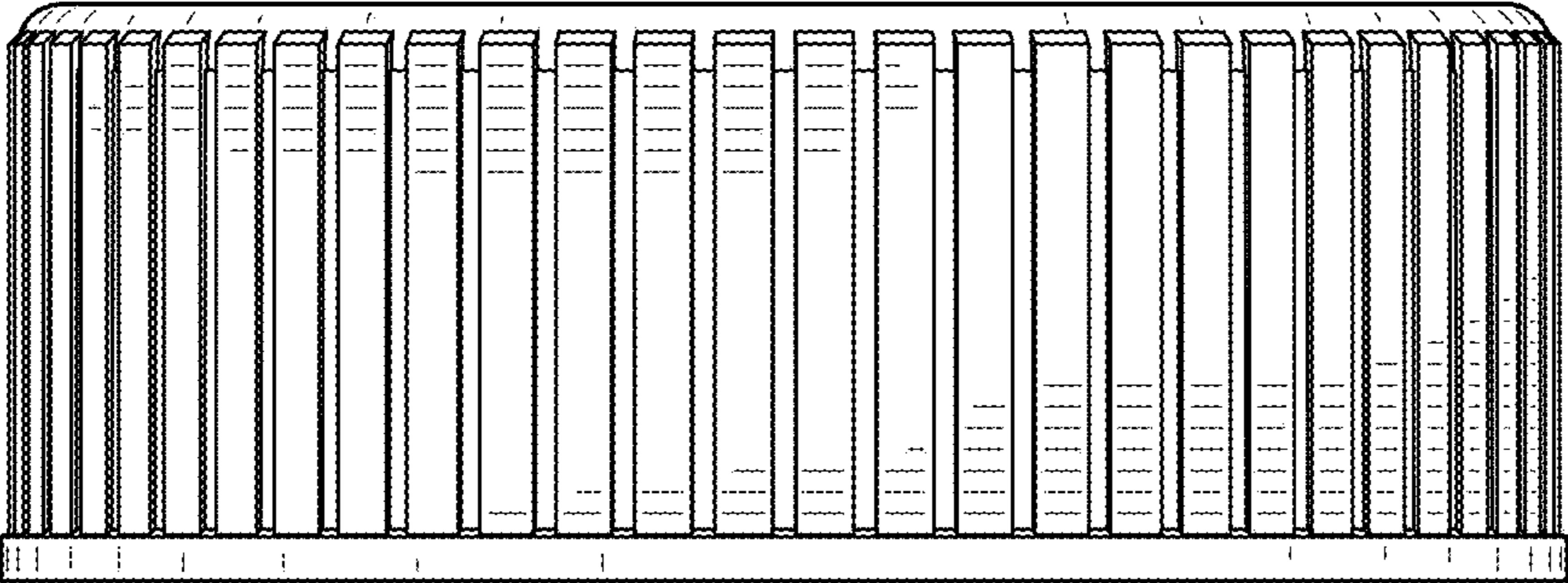


FIG. 2

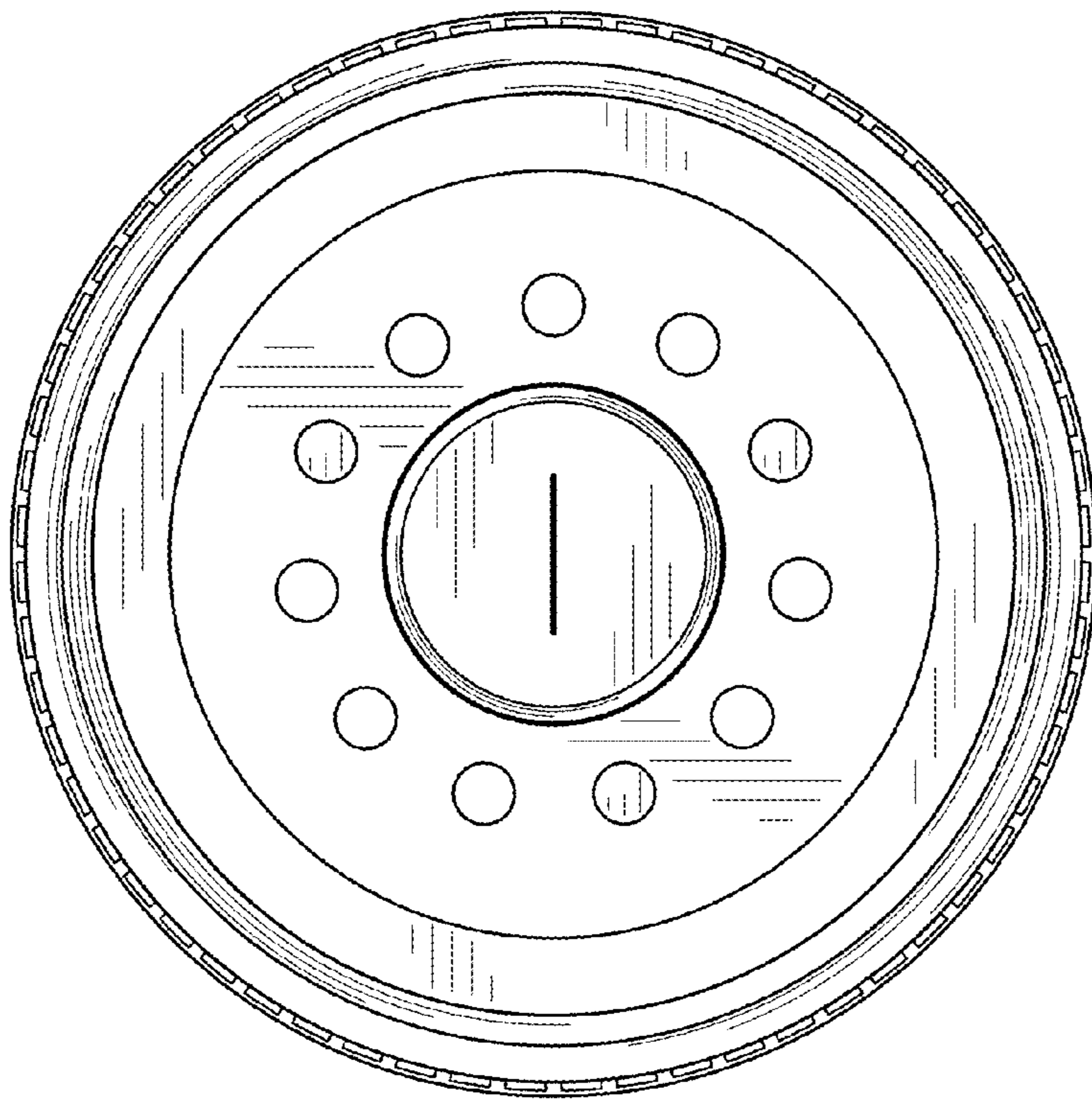


FIG. 3

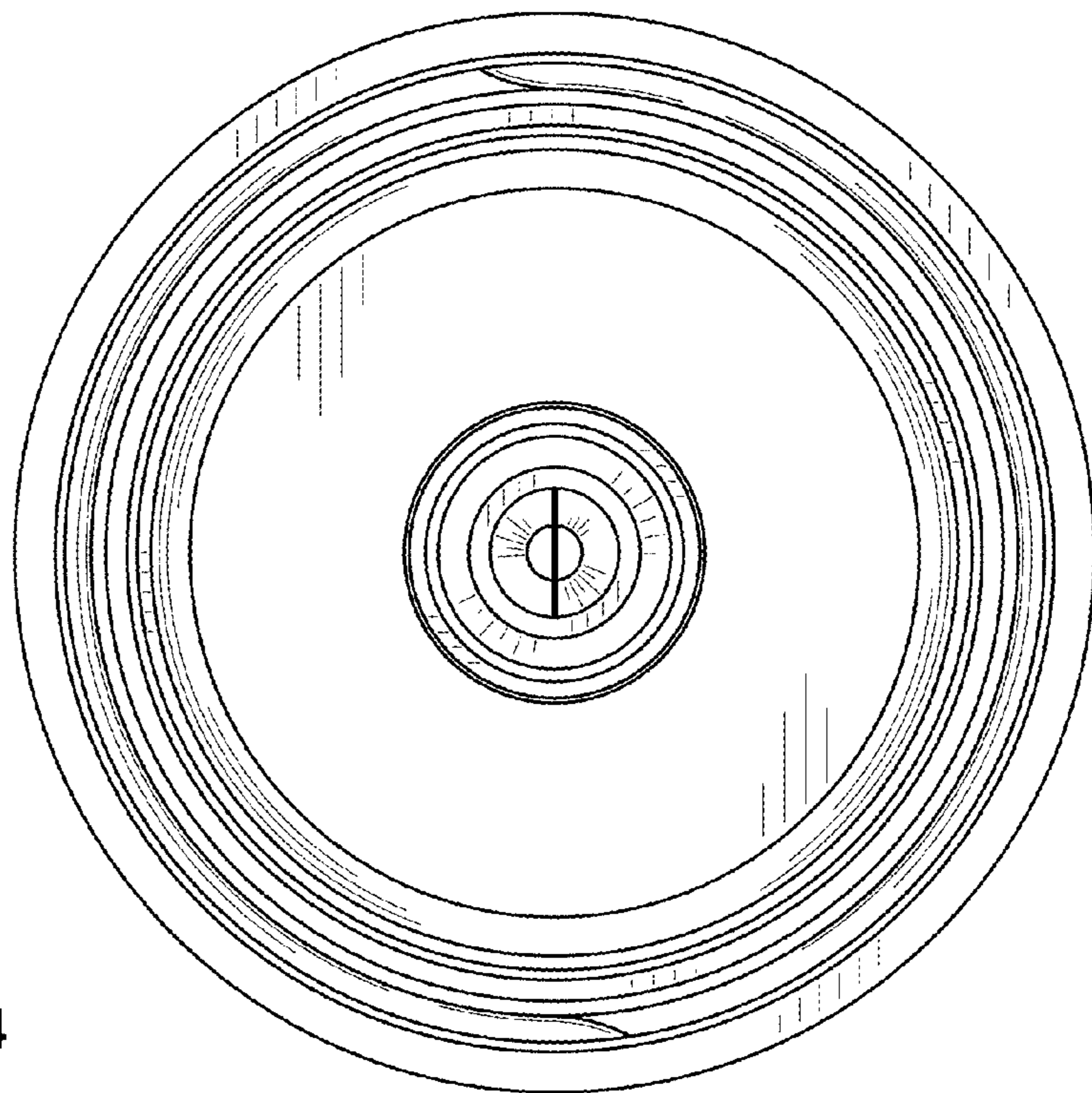


FIG. 4

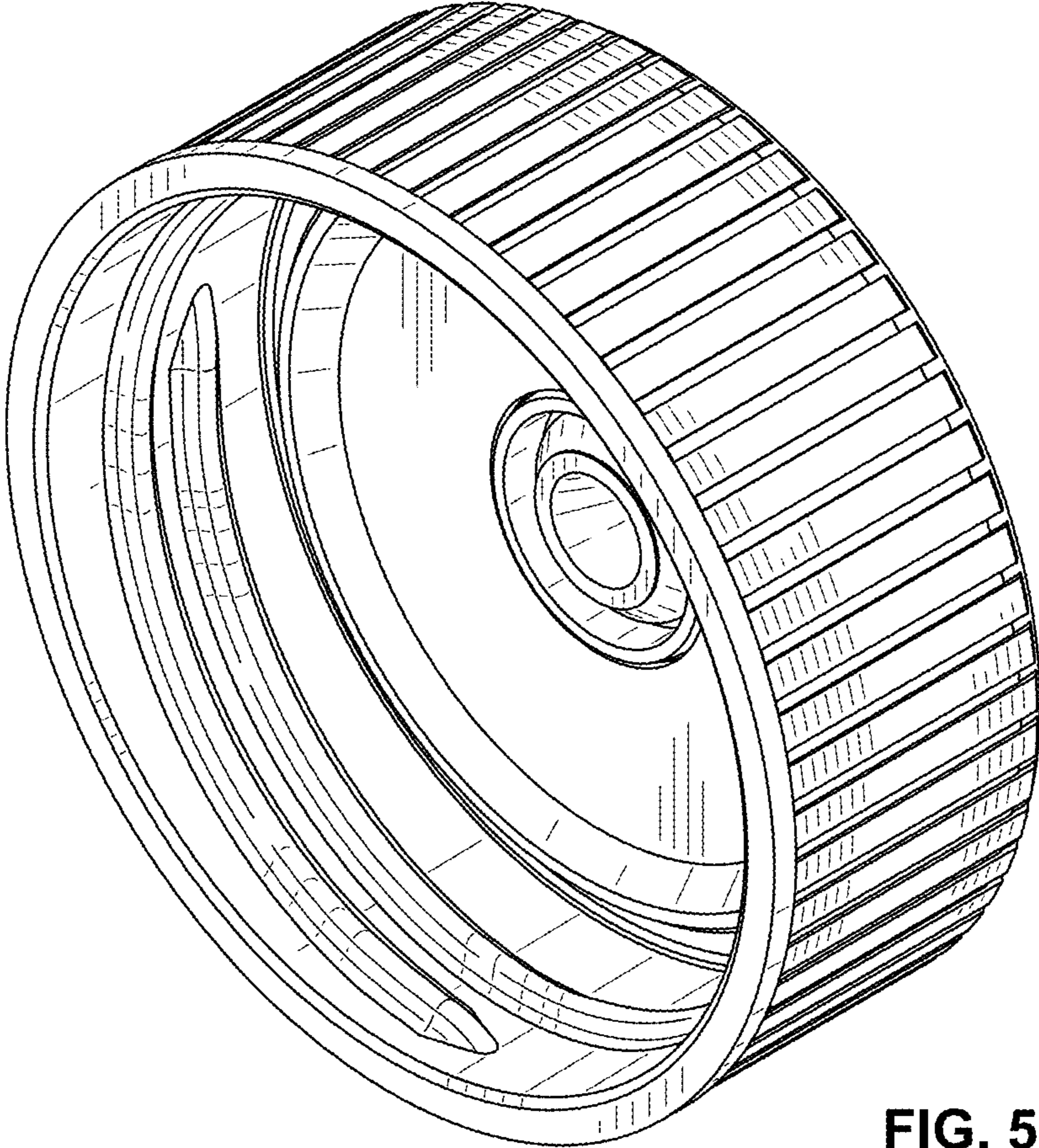


FIG. 5