



US00D694107S

(12) **United States Design Patent**  
**Didio**

(10) **Patent No.:** **US D694,107 S**

(45) **Date of Patent:** **\*\* Nov. 26, 2013**

(54) **BOTTLE TAG**

(71) Applicant: **Larysa Didio**, Brewster, NY (US)

(72) Inventor: **Larysa Didio**, Brewster, NY (US)

(\*\*) Term: **14 Years**

(21) Appl. No.: **29/451,925**

(22) Filed: **Apr. 10, 2013**

**Related U.S. Application Data**

(63) Continuation of application No. 13/524,181, filed on Jun. 15, 2012, which is a continuation of application No. 12/040,118, filed on Feb. 29, 2008, now abandoned.

(51) **LOC (9) Cl.** ..... **09-07**

(52) **U.S. Cl.**  
USPC ..... **D9/434**

(58) **Field of Classification Search**  
USPC ..... D9/455, 454, 453, 444, 440, 435, 434;  
D7/396.2; D30/152; D2/627; D11/218,  
D11/216, 215; 40/310; 222/490; 220/903,  
220/739  
See application file for complete search history.

(56) **References Cited**

**U.S. PATENT DOCUMENTS**

D340,886 S \* 11/1993 Anscher ..... D11/218  
5,529,019 A \* 6/1996 Ekholm et al. .... 119/654  
D381,046 S \* 7/1997 Hiers et al. .... D20/22

D386,125 S \* 11/1997 Anscher ..... D11/218  
D441,652 S \* 5/2001 Valentine, Jr. .... D9/434  
D456,957 S \* 5/2002 Koch ..... D30/152  
D481,176 S \* 10/2003 Kellner ..... D30/152  
D523,999 S \* 6/2006 Olson et al. .... D30/152  
D616,332 S \* 5/2010 Anscher ..... D11/216  
D667,338 S \* 9/2012 Kaneko ..... D11/216  
D672,512 S \* 12/2012 Reed ..... D30/152  
2007/0107670 A1 \* 5/2007 Pampena et al. .... 119/858  
2008/0115739 A1 \* 5/2008 Clenney ..... 119/863

\* cited by examiner

*Primary Examiner* — Susan Bennett Hattan

(74) *Attorney, Agent, or Firm* — The Dobrusin Law Firm, PC

(57) **CLAIM**

The ornamental design for a bottle tag, as shown and described.

**DESCRIPTION**

FIG. 1 is a front view of the present teachings located on a bottle.

FIG. 2 is a perspective view of the present invention.

FIG. 3 is a front elevational view thereof

FIG. 4 is a back elevational view thereof.

FIG. 5 is a top view thereof.

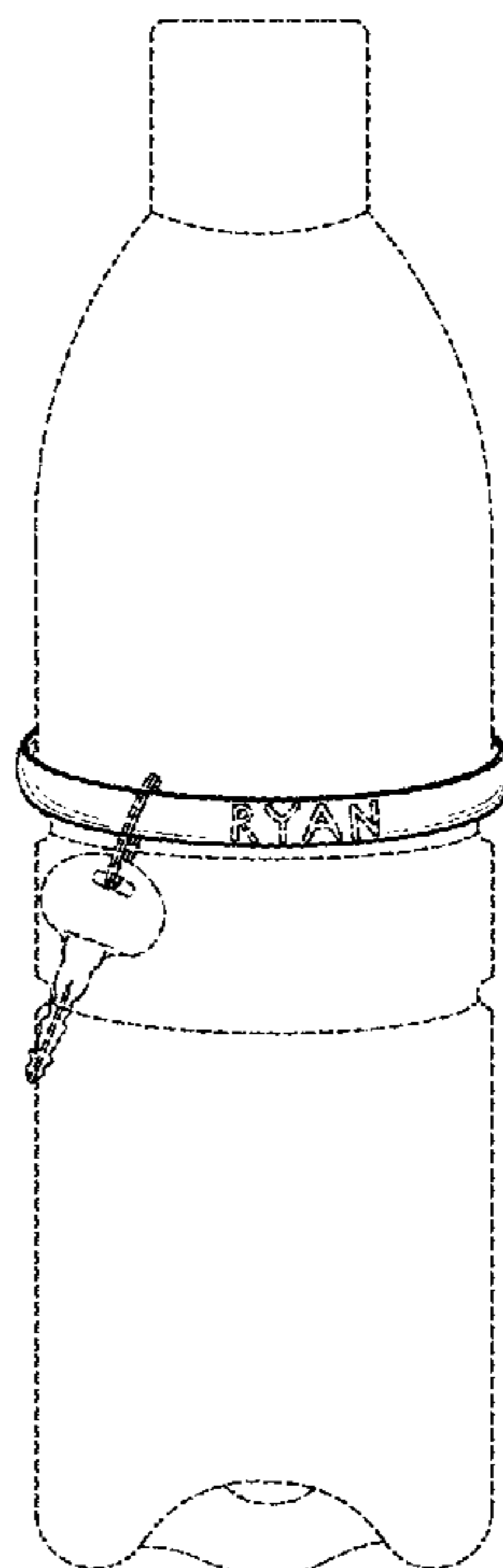
FIG. 6 is a left-side elevational view thereof.

FIG. 7 is a right-side elevational view thereof; and,

FIG. 8 is a bottom view thereof.

The broken lines showing environment in the drawings are for illustrative purposes only and form no part of the claimed design.

**1 Claim, 2 Drawing Sheets**



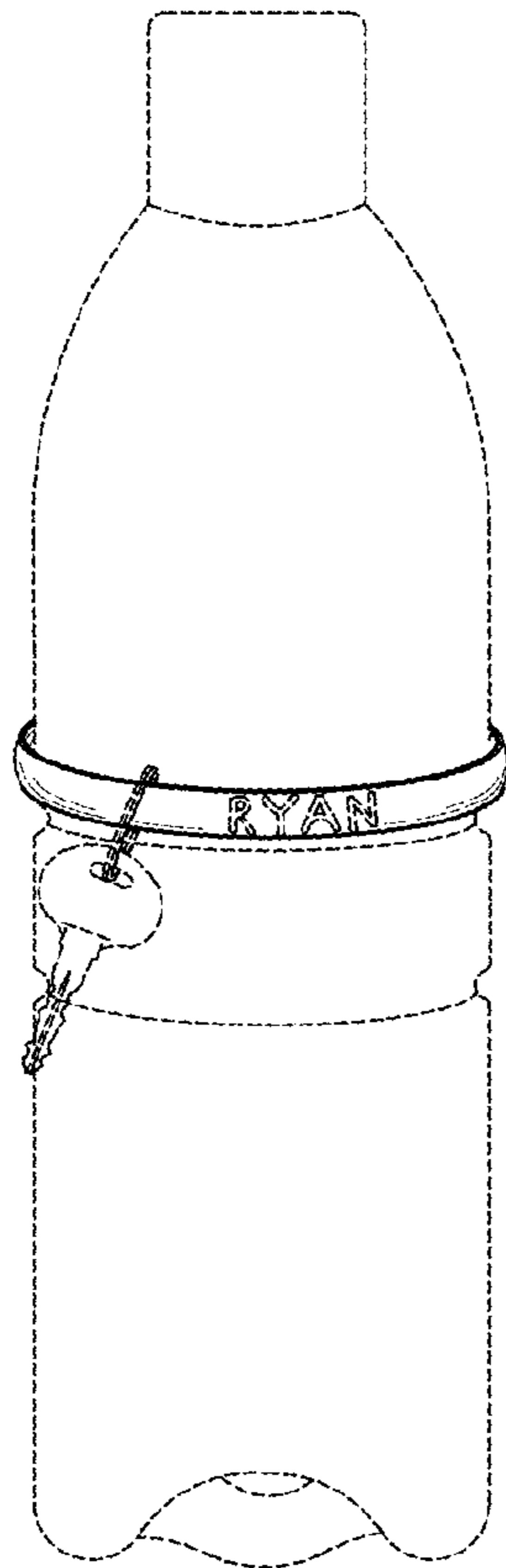


Fig-1

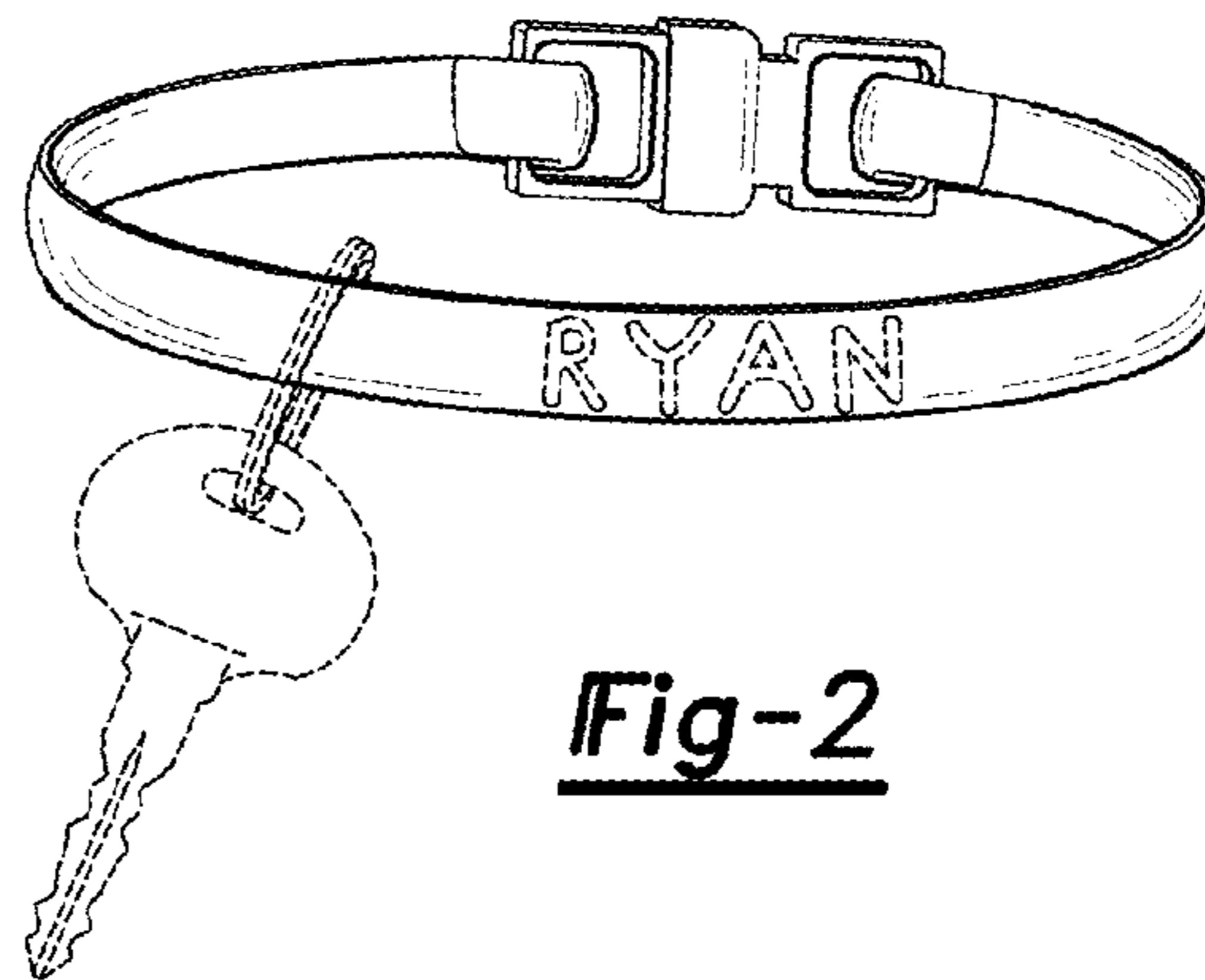


Fig-2

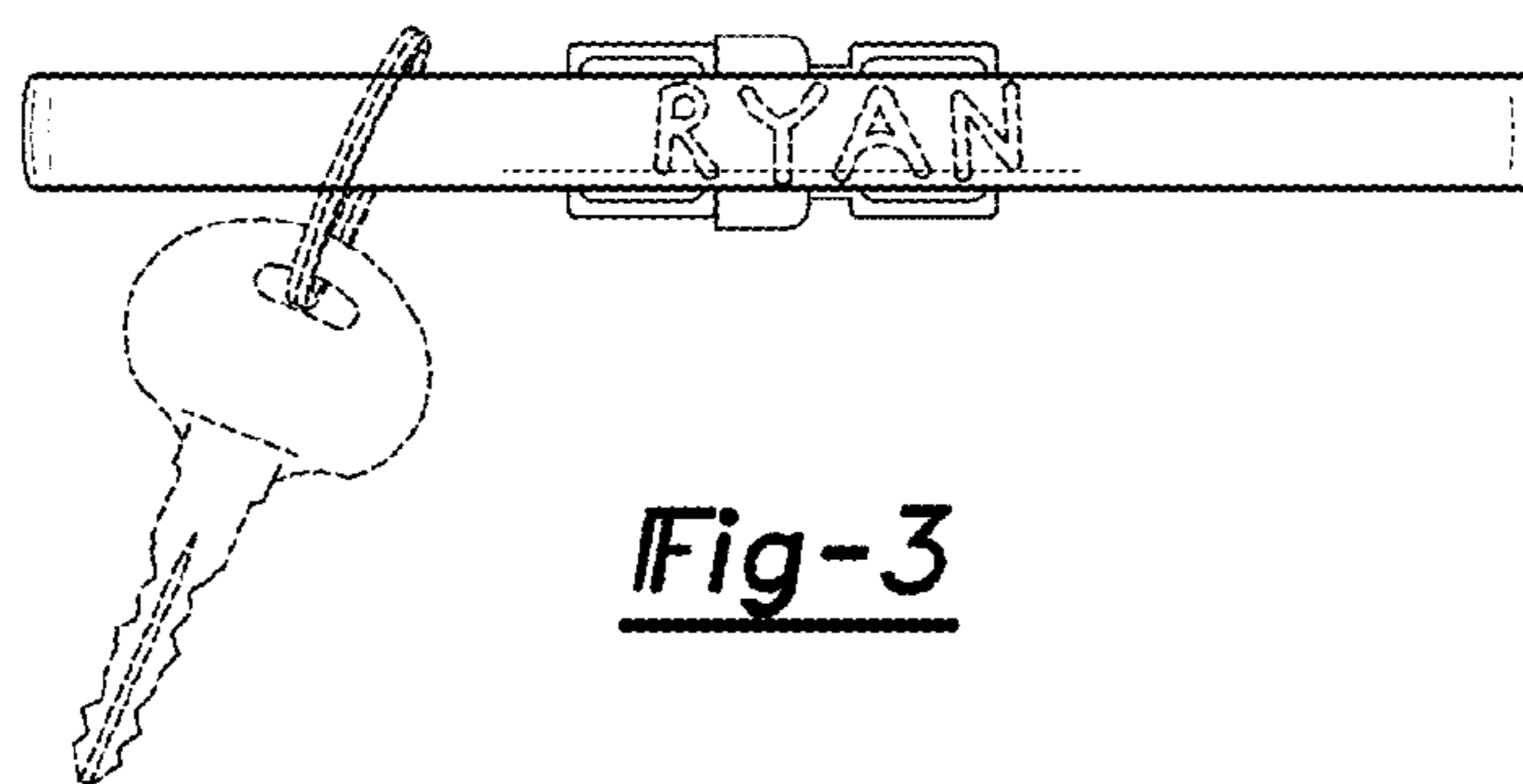


Fig-3

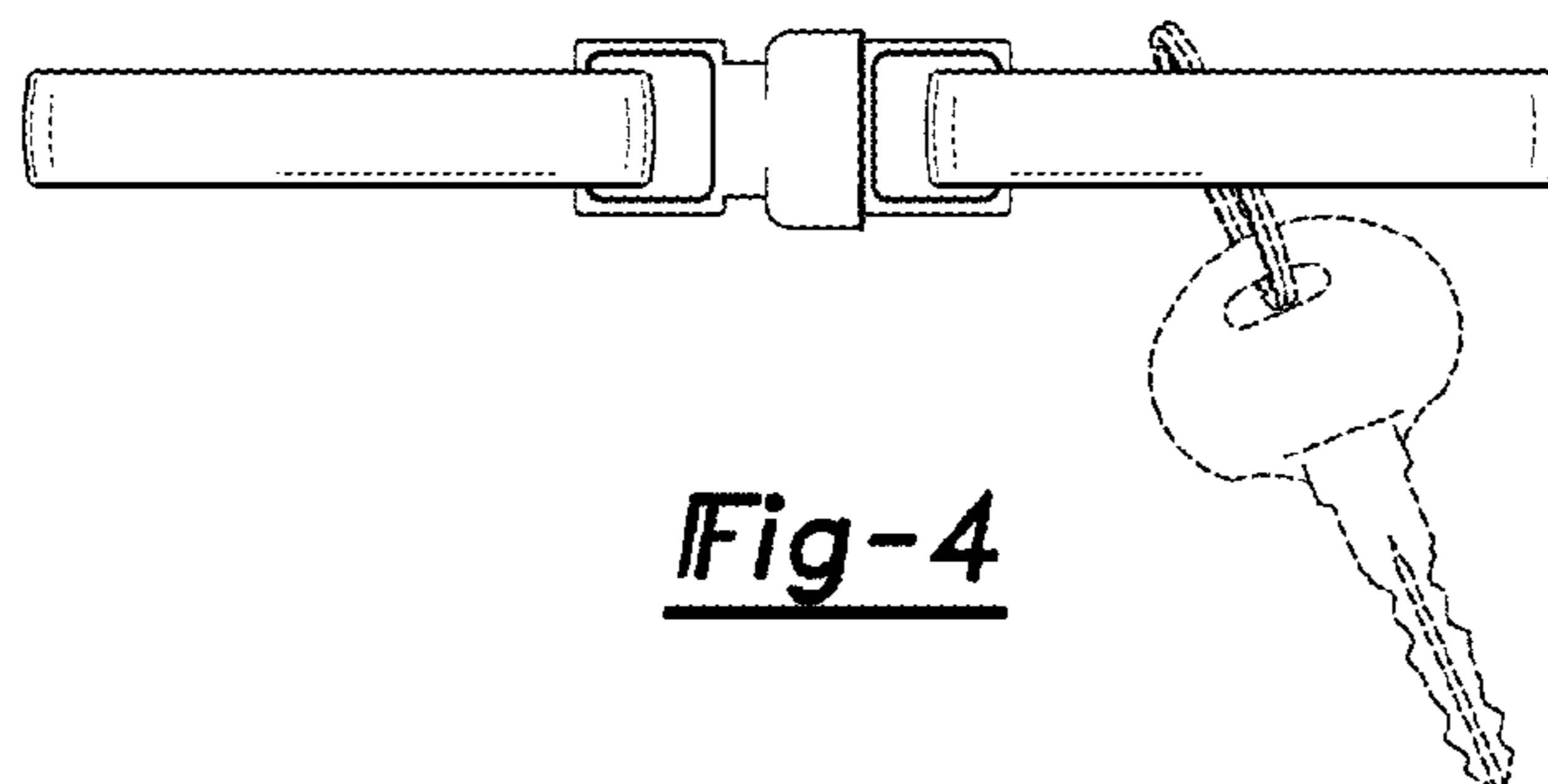


Fig-4

Fig-5

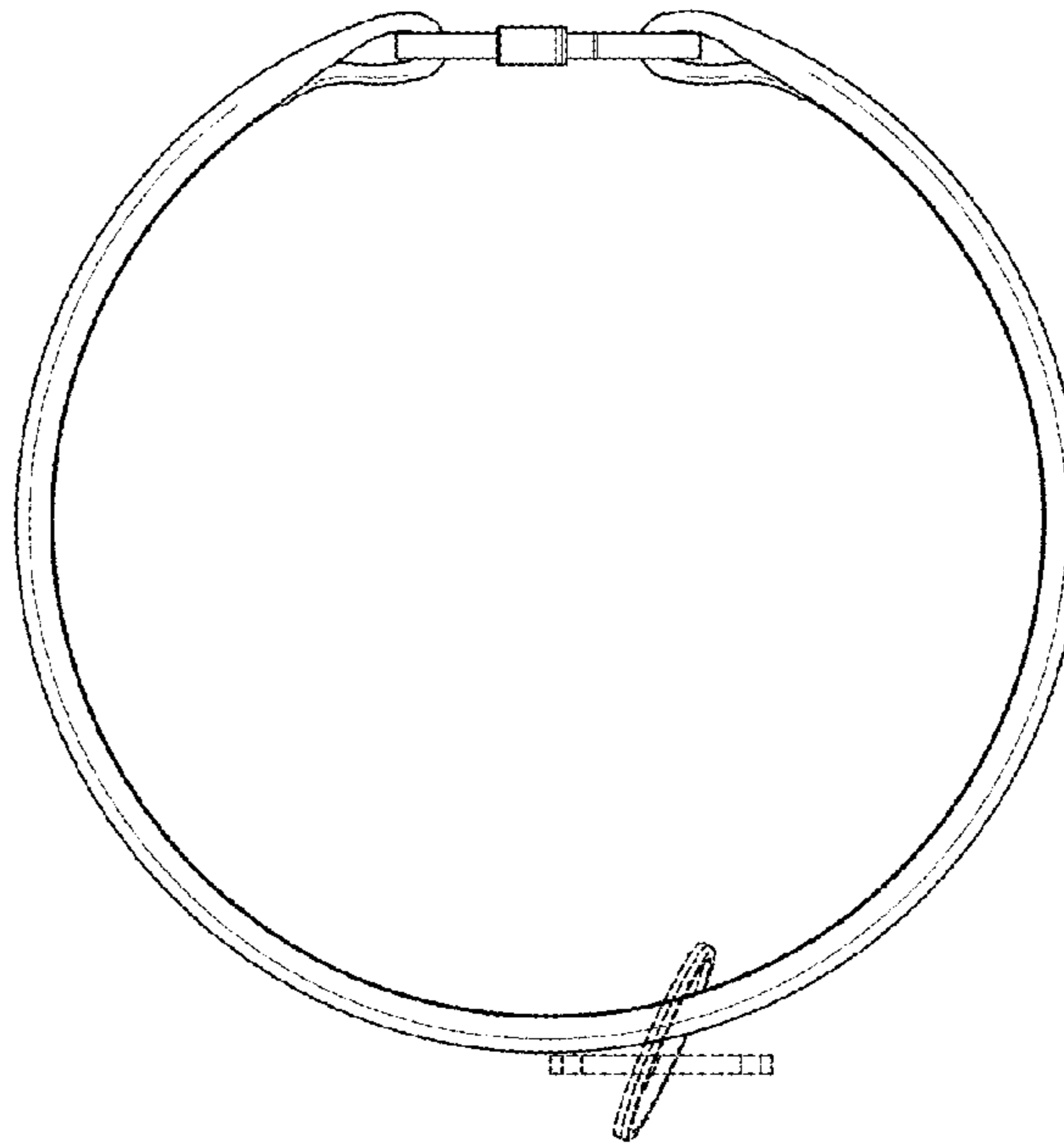


Fig-6

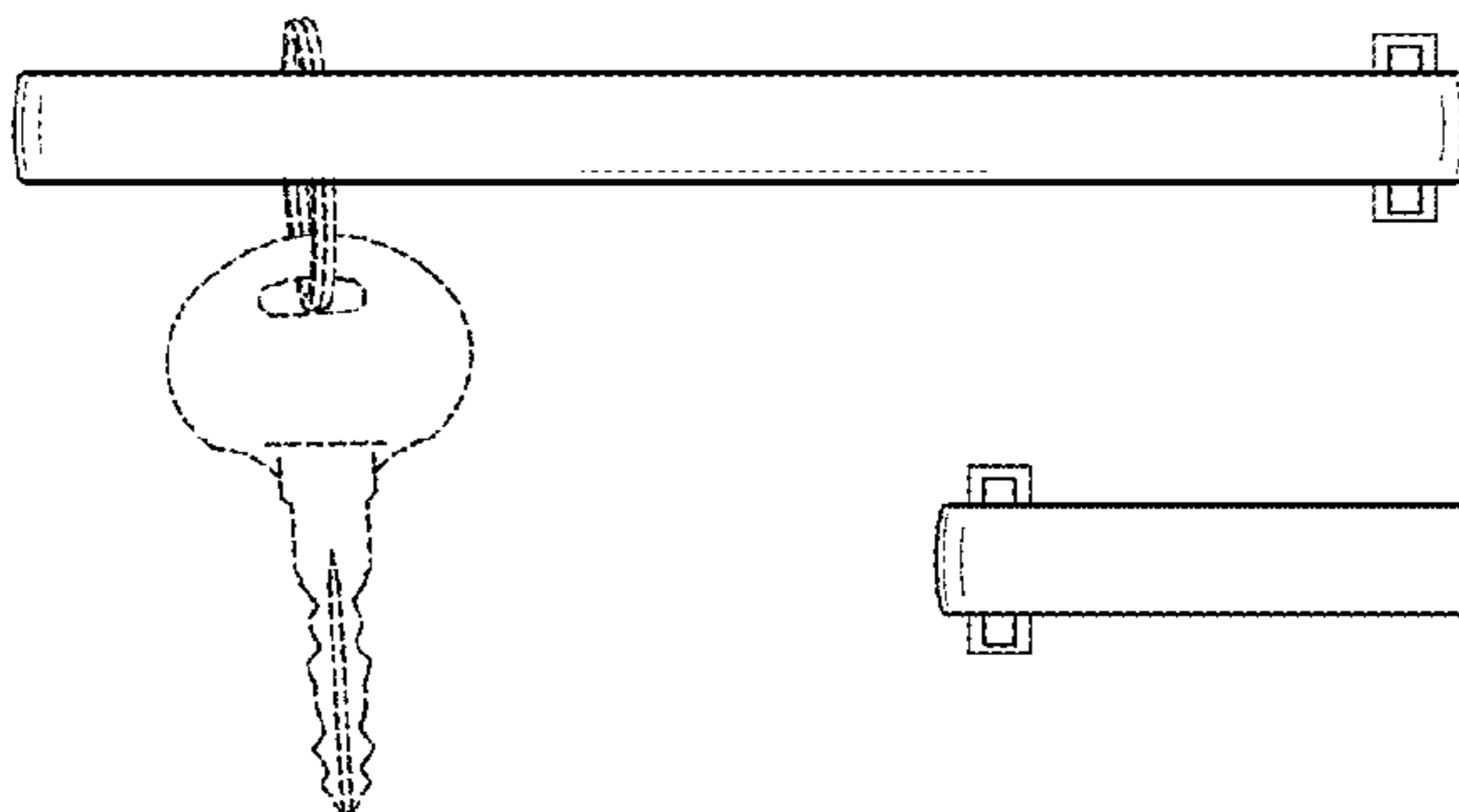


Fig-7

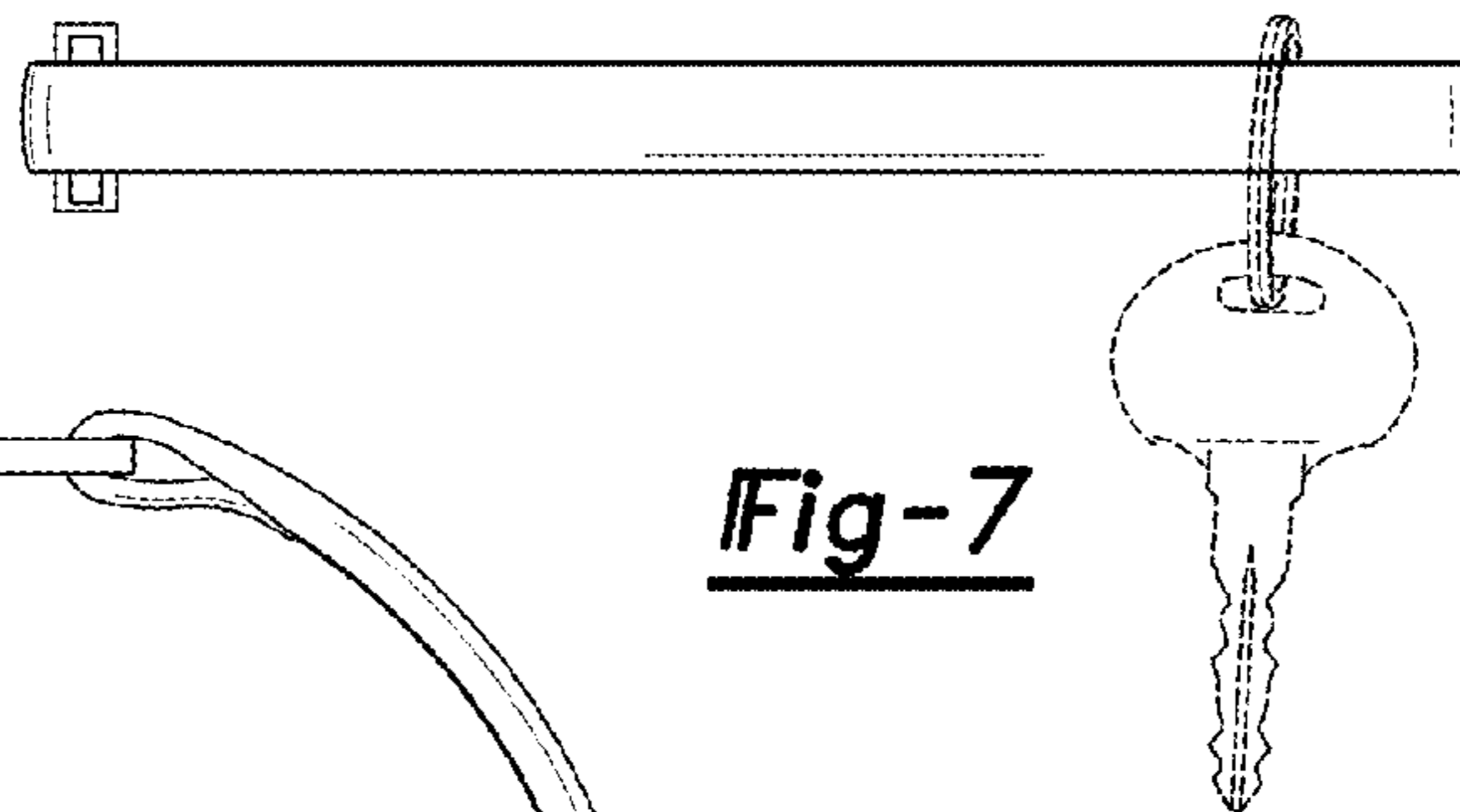


Fig-8

