

US00D694102S

(12) **United States Design Patent**
Bellamah et al.

(10) **Patent No.:** **US D694,102 S**
(45) **Date of Patent:** **** Nov. 26, 2013**

(54) **CONTAINER**

(75) Inventors: **Stephen J. Bellamah**, Midlothian, VA (US); **William T. Griffin**, Chesterfield, VA (US); **Dominic J. C. Howard**, Midlothian, VA (US); **Robert T. Mitten**, Glen Allen, VA (US)

(73) Assignee: **Philip Morris USA Inc.**, Richmond, VA (US)

(**) Term: **14 Years**

(21) Appl. No.: **29/428,897**

(22) Filed: **Aug. 3, 2012**

Related U.S. Application Data

(62) Division of application No. 29/403,181, filed on Oct. 3, 2011, now Pat. No. Des. 665,253, which is a division of application No. 29/293,587, filed on Nov. 30, 2007, now Pat. No. Des. 646,159.

(51) **LOC (9) Cl.** **09-03**

(52) **U.S. Cl.**

USPC **D9/424**

(58) **Field of Classification Search**

USPC D9/424, 414, 416, 422, 425, 428, 429, D9/432; D3/205, 265, 273, 294, 312; 206/352, 354, 355, 503-505, 508, 581, 206/815, 822; 220/345.1, 345.3, 659, 669, 220/675, 691; 229/406

See application file for complete search history.

(56) **References Cited**

U.S. PATENT DOCUMENTS

411,773 A 10/1889 Atkinson
663,415 A 12/1900 Charles
1,072,820 A 9/1913 Carnes
2,023,341 A 12/1935 Downes-Shaw et al.

2,062,542 A 12/1936 Warren
2,412,528 A 12/1946 Morrell
2,523,251 A 9/1950 Pantalone et al.
3,042,247 A 7/1962 Bonnet
3,206,016 A 9/1965 Fowle et al.
3,894,654 A 7/1975 Frankenberg
3,913,774 A 10/1975 Vajtay
4,098,421 A 7/1978 Foster
4,190,170 A 2/1980 Boyd
D265,977 S 8/1982 Strongwater
D267,983 S * 2/1983 Cheung D28/64.1
4,440,307 A 4/1984 Bartels et al.
4,646,933 A 3/1987 Jurczenia et al.
D291,608 S 8/1987 Chevassus

(Continued)

FOREIGN PATENT DOCUMENTS

CA 2547369 A1 11/2007
CH 694145 A5 8/2004

(Continued)

OTHER PUBLICATIONS

Copending U.S. Appl. No. 12/292,607, filed Nov. 21, 2008.

(Continued)

Primary Examiner — Derrick Holland

(74) *Attorney, Agent, or Firm* — Buchanan Ingersoll & Rooney PC

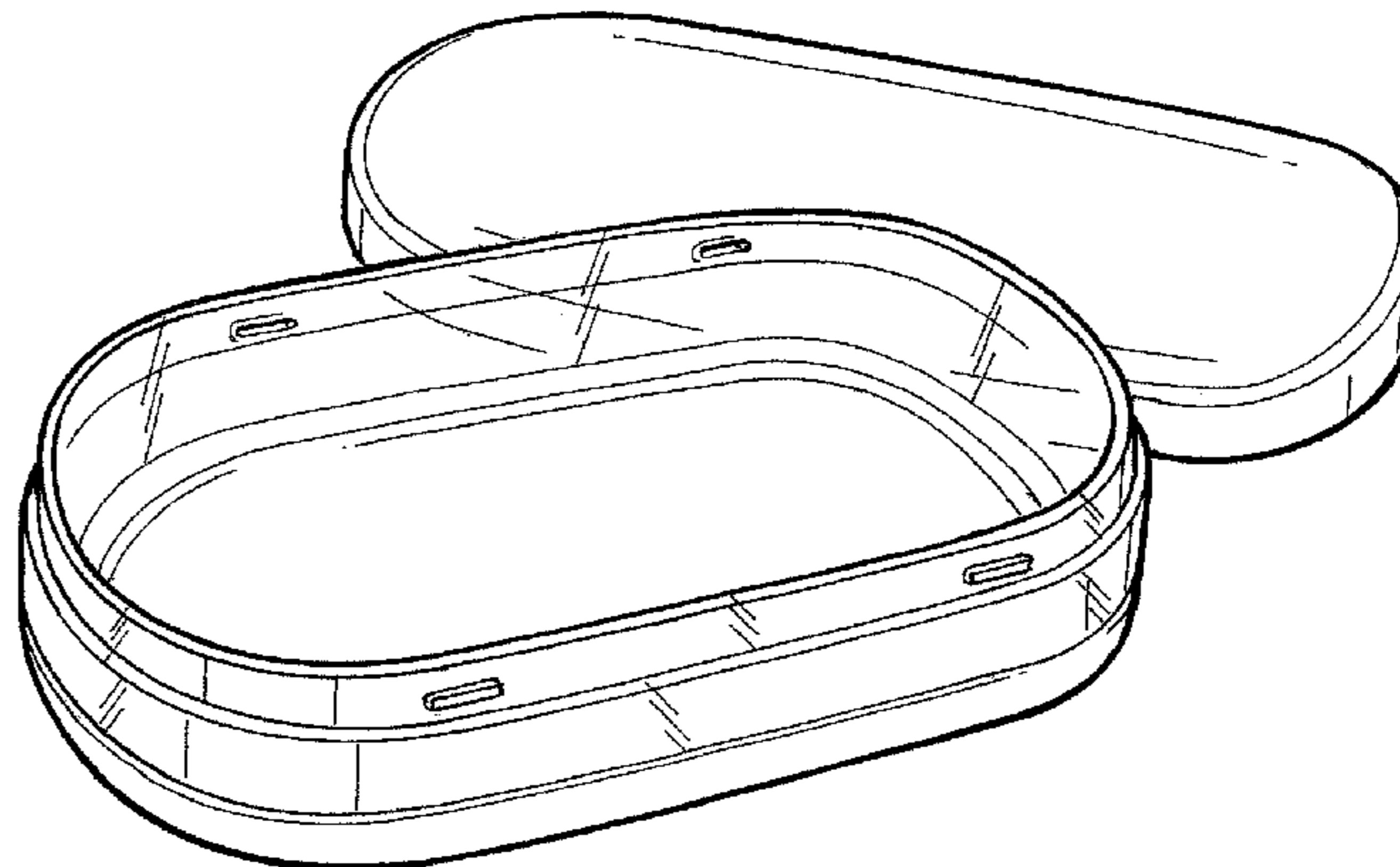
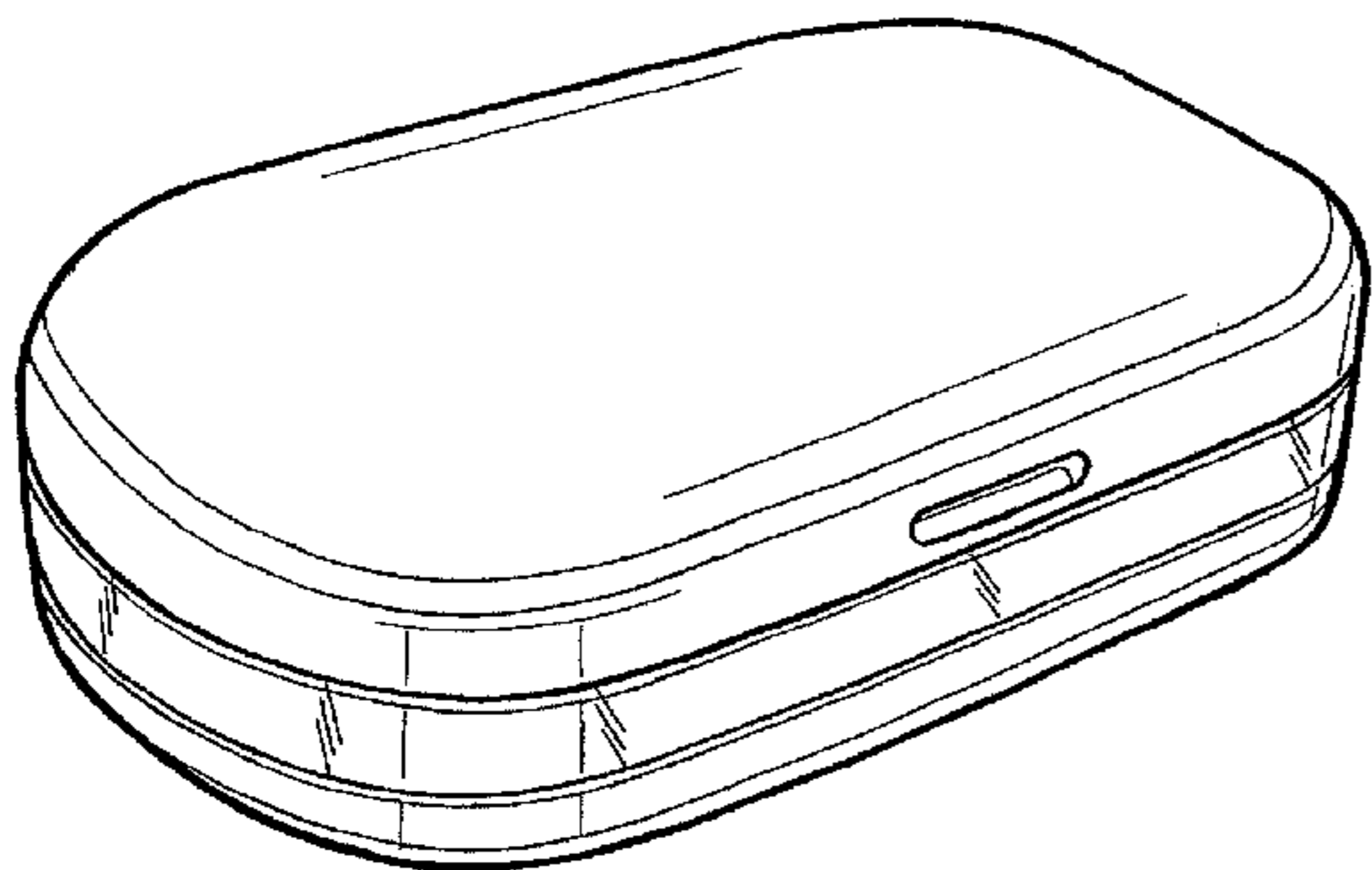
(57) **CLAIM**

The ornamental design for a container, as shown and described.

DESCRIPTION

FIG. 1 is a front, left and top perspective view of a container showing our new design, the rear, right view being a mirror image thereof; and, FIG. 2 is a front, left perspective view thereof in an open position.

1 Claim, 1 Drawing Sheet



(56)

References Cited

U.S. PATENT DOCUMENTS

4,715,496 A 12/1987 Hackmann
 4,804,101 A 2/1989 Heath
 4,850,504 A 7/1989 Gindrod et al.
 4,955,531 A 9/1990 Graboyes
 5,143,282 A 9/1992 Pham
 D341,482 S 11/1993 McMillan
 5,259,526 A 11/1993 Stolzman
 5,341,925 A 8/1994 Fleenor et al.
 5,460,287 A 10/1995 Cargile et al.
 5,478,011 A 12/1995 Pham
 5,611,451 A 3/1997 Mosior et al.
 5,676,272 A 10/1997 Baerenwald
 5,782,371 A 7/1998 Baerenwald et al.
 5,791,473 A 8/1998 Decker et al.
 5,794,814 A 8/1998 Baerenwald
 D407,972 S 4/1999 Hilton
 D412,786 S 8/1999 Killinger
 D427,432 S 7/2000 Au et al.
 D433,940 S 11/2000 Lindsay et al.
 D448,668 S 10/2001 Baerenwald et al.
 6,341,710 B1 * 1/2002 Danielson et al. 220/281
 D454,689 S 3/2002 Gonda et al.
 D456,713 S 5/2002 Bried et al.
 D462,613 S 9/2002 Bried et al.
 D464,567 S 10/2002 Baerenwald et al.
 D469,607 S 2/2003 Wolff
 D474,402 S 5/2003 Baerenwald
 D481,867 S 11/2003 Hotz
 D484,409 S 12/2003 Haggerty et al.
 6,732,873 B2 5/2004 Bried et al.
 D491,315 S 6/2004 Dittmer et al.
 D494,474 S 8/2004 Houk et al.
 D502,095 S * 2/2005 Tucker et al. D9/425
 D512,636 S 12/2005 Pace
 D514,936 S 2/2006 Pace et al.
 D515,426 S 2/2006 Pace et al.
 D515,429 S 2/2006 Pace
 D515,439 S 2/2006 Pace

D515,928 S 2/2006 Pace
 D518,728 S 4/2006 Frantz
 D523,752 S 6/2006 Bried et al.
 D525,120 S 7/2006 Maskell et al.
 D527,995 S 9/2006 Tanner
 D531,036 S 10/2006 Bried et al.
 D536,614 S 2/2007 Peterson et al.
 D539,641 S * 4/2007 Tanner D3/203.1
 D541,176 S 4/2007 Bried
 D548,070 S 8/2007 Swain
 2003/0153446 A1 8/2003 Focke et al.
 2004/0144661 A1 7/2004 Lutzig
 2006/0060480 A1 3/2006 Budd
 2006/0101564 A1 5/2006 Powdermaker
 2006/0118589 A1 6/2006 Arnarp et al.
 2006/0283721 A1 12/2006 Kutsch et al.
 2007/0012711 A1 1/2007 Kutsch et al.
 2007/0110928 A1 5/2007 Bried et al.
 2007/0130811 A1 6/2007 Shevelev et al.

FOREIGN PATENT DOCUMENTS

DE 4103612 A1 8/1992
 DE 4109702 A1 9/1992
 EP 0434962 A1 7/1991
 EP 0900736 A2 3/1999
 GB 1004671 A 9/1965
 GB 2032887 5/1980
 WO WO 00/43289 7/2000

OTHER PUBLICATIONS

Partial International Search Report dated Oct. 13, 2008 for PCT/IB2008/001836.
 International Search Report and Written Opinion mailed Feb. 23, 2009 by the European Patent Office in International Application No. PCT/EP2008/010056.
 International Preliminary Report on Patentability mailed Jun. 10, 2010 by The International Bureau of WIPO in corresponding International Application No. PCT/EP2008/010056.

* cited by examiner

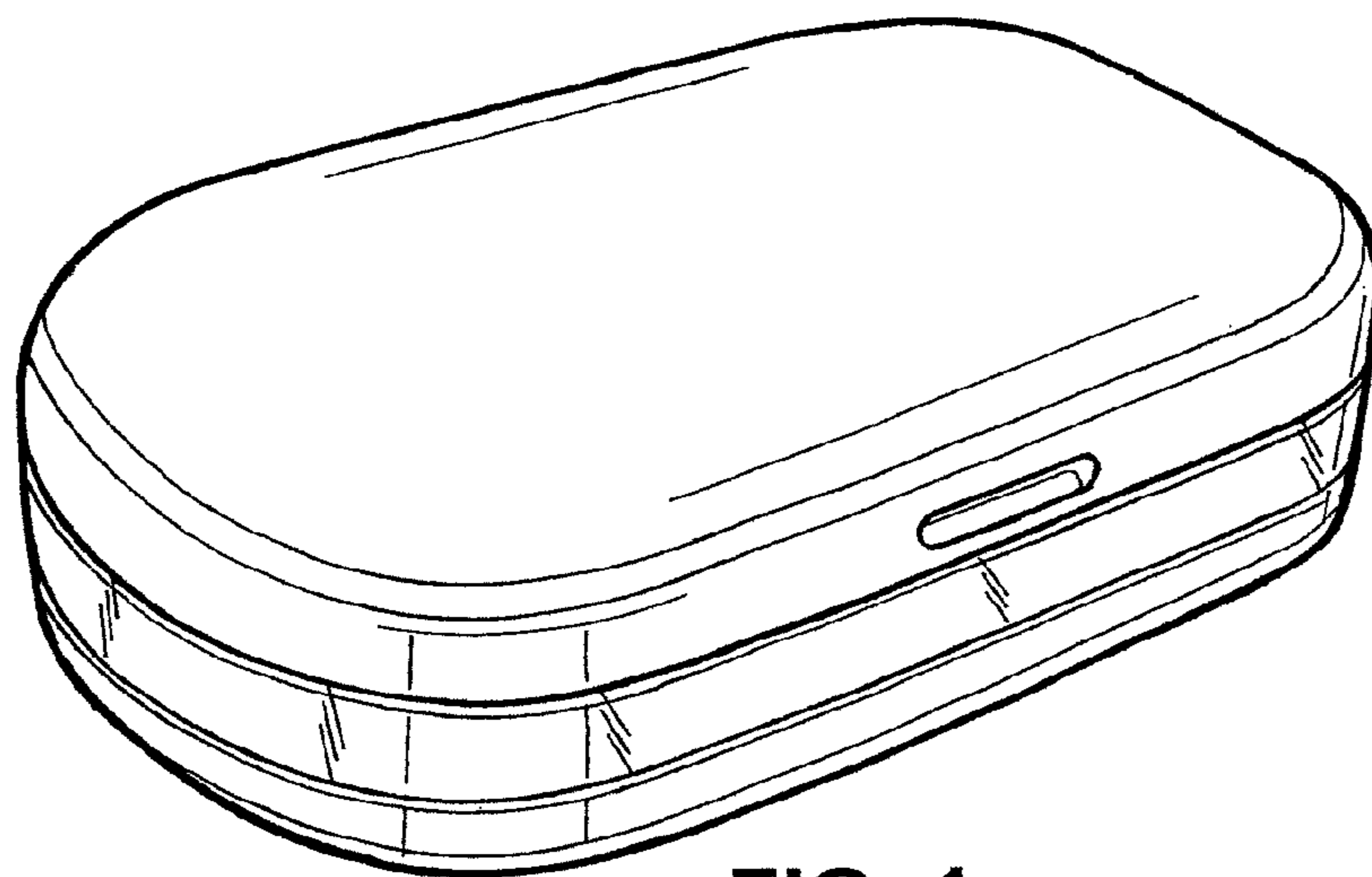


FIG. 1

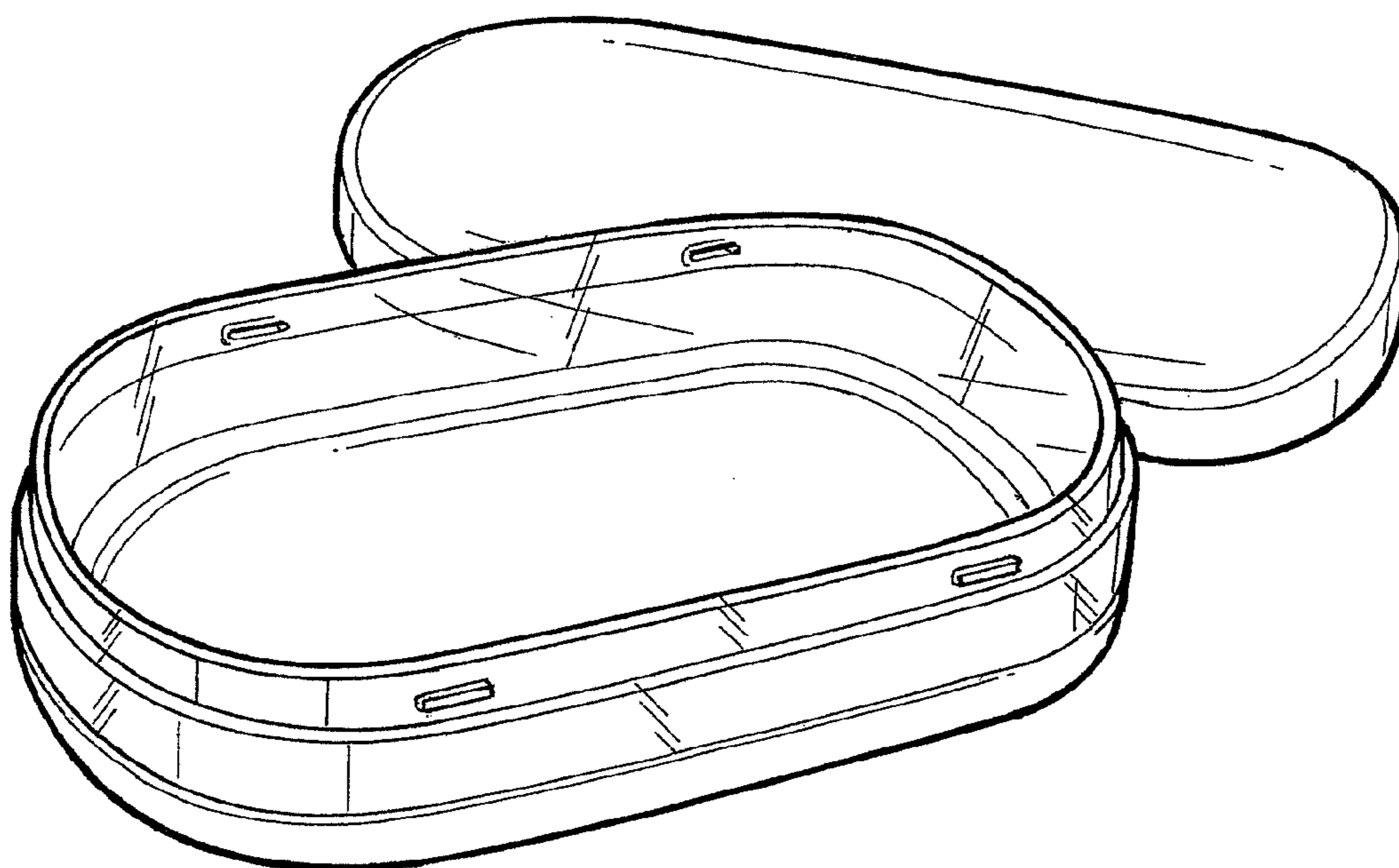


FIG. 2