



US00D694098S

(12) **United States Design Patent**
Byron et al.

(10) **Patent No.:** **US D694,098 S**

(45) **Date of Patent:** **** Nov. 26, 2013**

(54) **CLIP ASSEMBLY**

(71) Applicant: **Texturadesign, Inc.**, Seattle, WA (US)

(72) Inventors: **David Byron**, Seattle, WA (US); **Joshua Buessler**, Seattle, WA (US); **Wesley Pierce**, Seattle, WA (US)

(73) Assignee: **TexturaDesign, Inc.**, Seattle, WA (US)

(**) Term: **14 Years**

(21) Appl. No.: **29/437,907**

(22) Filed: **Nov. 21, 2012**

(51) **LOC (9) Cl.** **08-08**

(52) **U.S. Cl.**
USPC **D8/394**

(58) **Field of Classification Search**
USPC D8/354, 356, 371, 394-396; D19/65,
D19/86; D24/128; 248/74.2, 215, 227.1, 49,
248/300, 301, 316.7, 51, 489; 24/570, 3.12;
D32/61; D11/78.1

See application file for complete search history.

(56) **References Cited**

U.S. PATENT DOCUMENTS

3,604,425	A *	9/1971	Le Roy	606/158
D331,462	S *	12/1992	Kraus et al.	D24/143
D394,096	S *	5/1998	Edgar	D22/110
D447,564	S *	9/2001	Stewart, Jr.	D24/143
D467,802	S *	12/2002	Amundson	D9/443
D474,968	S *	5/2003	Hicks et al.	D9/443
D564,352	S *	3/2008	Rice	D9/434

D565,944	S *	4/2008	Pitcher	D8/395
D600,000	S *	9/2009	Horito et al.	D13/103
2003/0188510	A1 *	10/2003	Vargas	53/410
2008/0155790	A1 *	7/2008	Hsu	24/30.5 R

* cited by examiner

Primary Examiner — John Windmuller

(74) *Attorney, Agent, or Firm* — Dorsey & Whitney LLP;
Bridget M. Hayden

(57) **CLAIM**

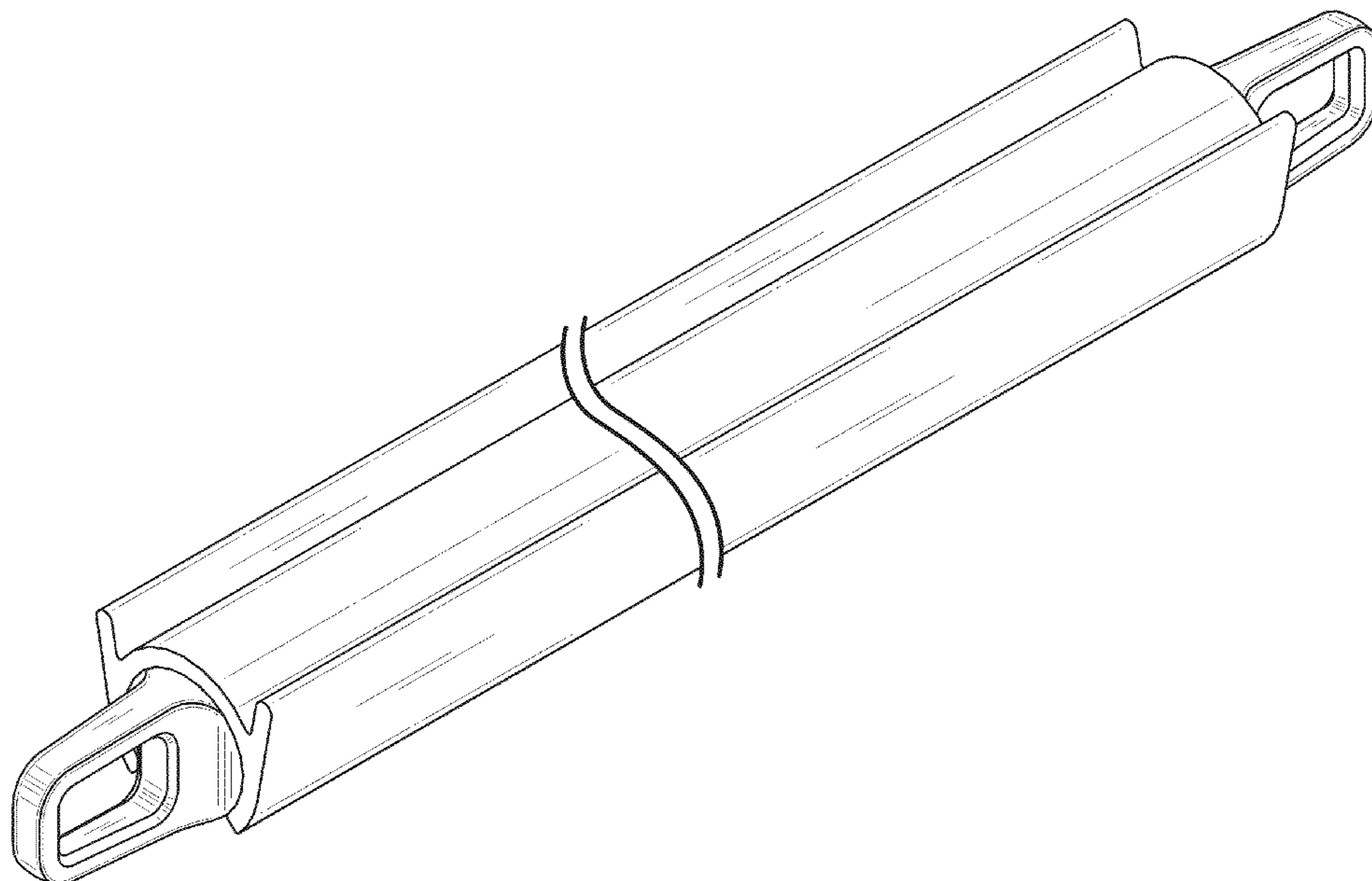
We claim the ornamental design for a clip assembly, substantially as shown and described.

DESCRIPTION

FIG. 1 is a front isometric view of a clip assembly of the present invention;
FIG. 2 is a right side elevation view of the clip assembly of FIG. 1;
FIG. 3 is a top plan view of the clip assembly of FIG. 1;
FIG. 4 is a bottom plan view of the clip assembly of FIG. 1;
and,
FIG. 5 is a rear end elevation view of the clip assembly of FIG. 1; where the left side elevation view is a mirror image of the right side elevation view of FIG. 2 and the front end elevation view is a mirror image of the rear end elevation view of FIG. 5.

The clip assembly is shown broken away in the middle to indicate that it has no particular length beyond what is shown.

1 Claim, 4 Drawing Sheets



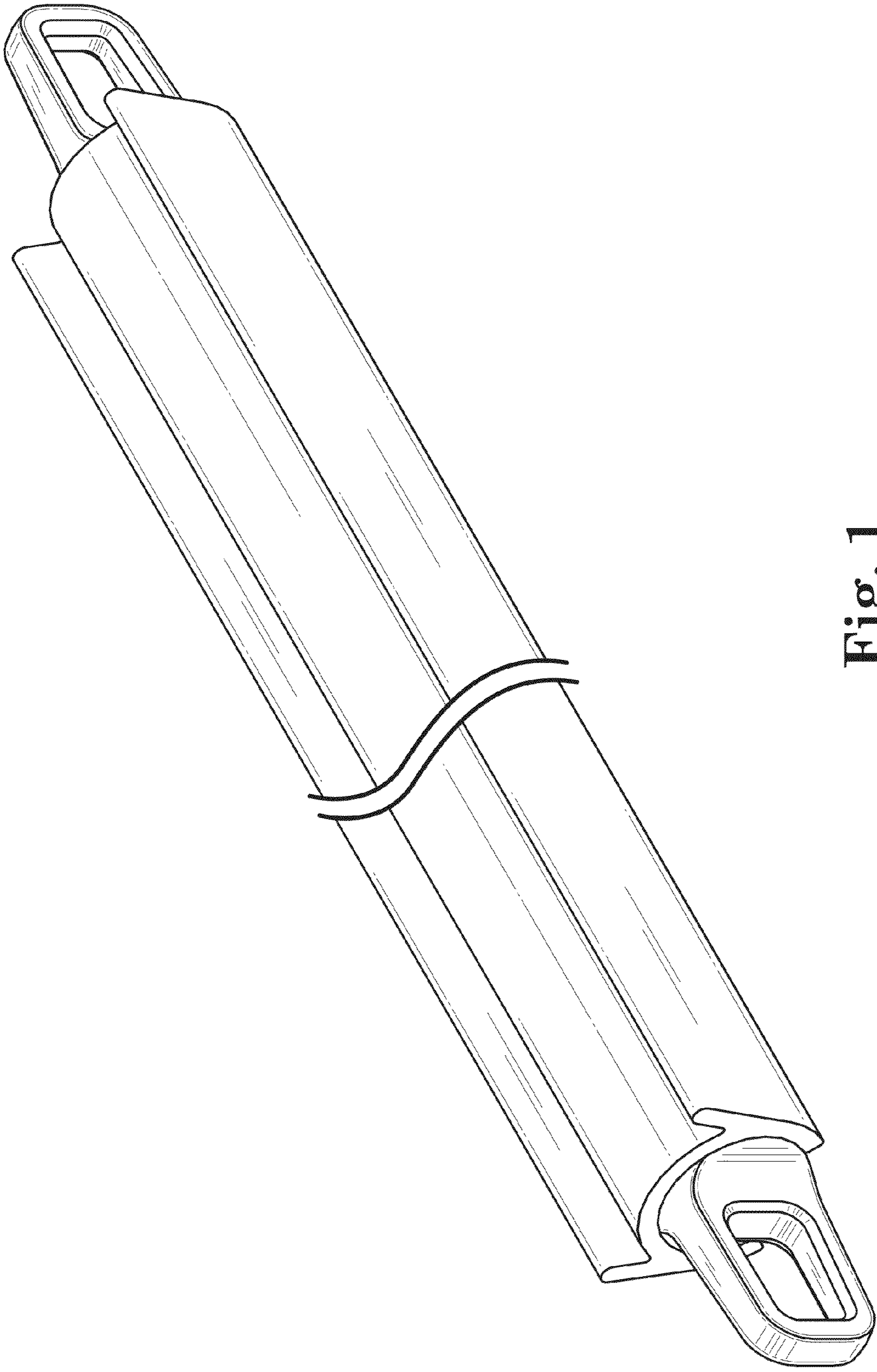


Fig. 1

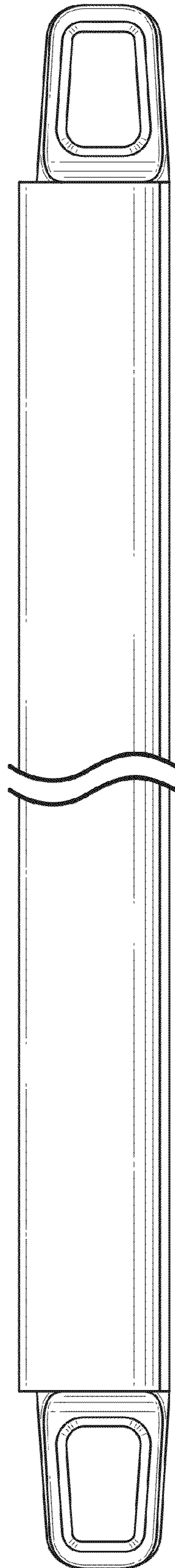


Fig. 2

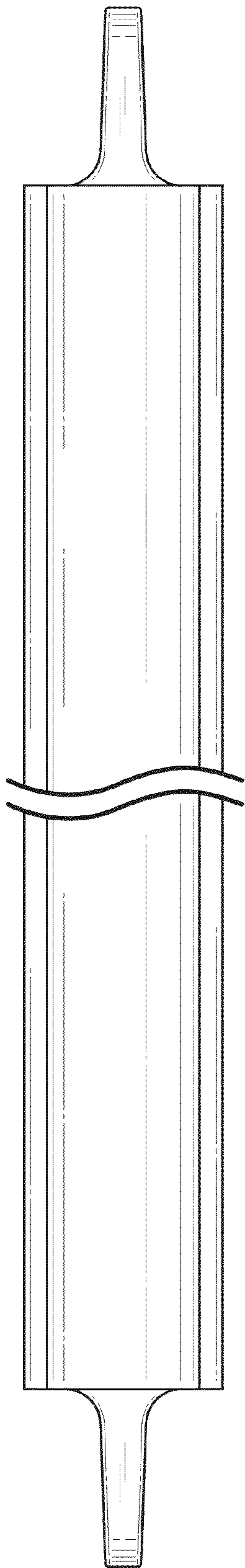


Fig. 3

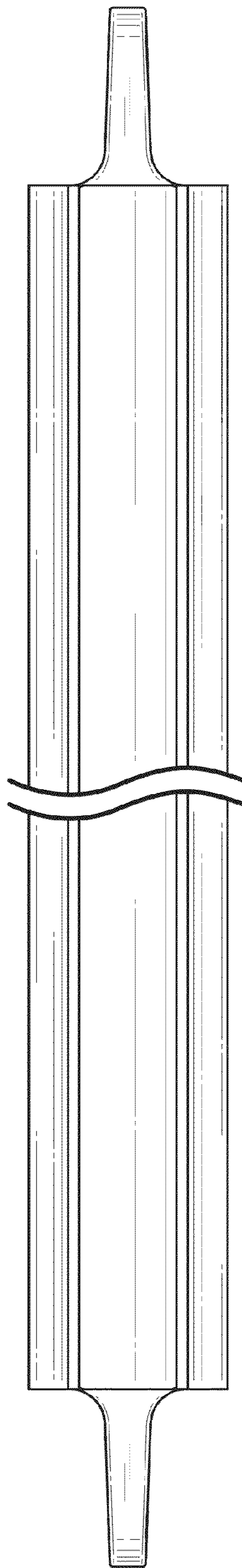


Fig. 4

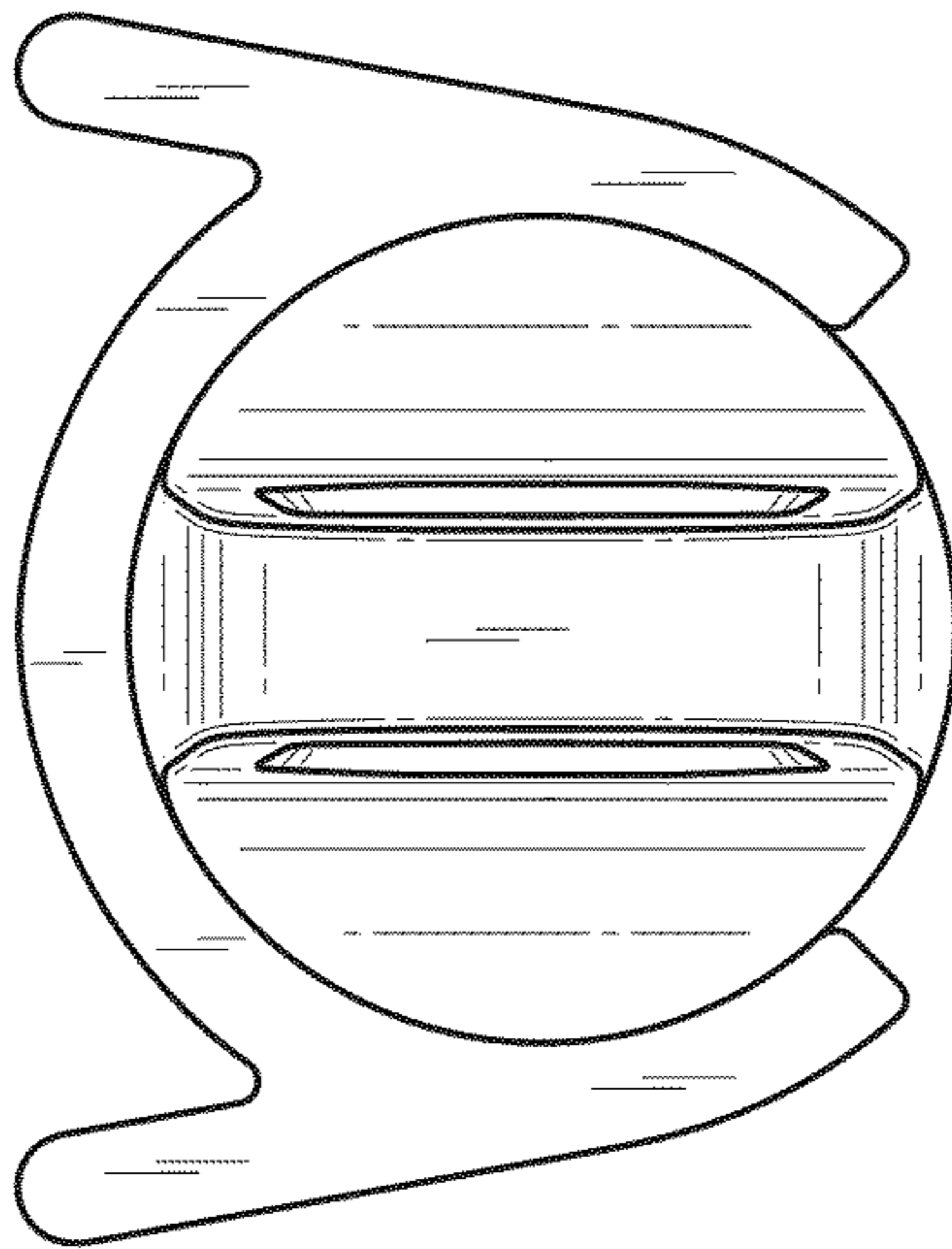


Fig. 5