



US00D694097S

(12) **United States Design Patent**
Hammer

(10) **Patent No.:** **US D694,097 S**

(45) **Date of Patent:** **** Nov. 26, 2013**

(54) **HOOK RAIL**

(75) Inventor: **Allison Michelle Hammer**, Chicago, IL
(US)

(73) Assignee: **Liberty Hardware Mfg. Corp.**,
Winston-Salem, NC (US)

(**) Term: **14 Years**

(21) Appl. No.: **29/422,147**

(22) Filed: **May 17, 2012**

(51) **LOC (9) Cl.** **08-05**

(52) **U.S. Cl.**
USPC **D8/372**

(58) **Field of Classification Search**
USPC D8/372, 367; 248/301, 304, 215;
D6/323

See application file for complete search history.

(56) **References Cited**

U.S. PATENT DOCUMENTS

D472,134 S *	3/2003	Goodman et al.	D8/372
D547,584 S *	7/2007	Little	D6/569
D551,009 S *	9/2007	Pulliam	D6/569
D646,959 S *	10/2011	Goodman et al.	D8/372
D647,390 S *	10/2011	Goodman et al.	D8/372

* cited by examiner

Primary Examiner — Holly Baynham

(74) *Attorney, Agent, or Firm* — Lora J. Graentzdoerffer

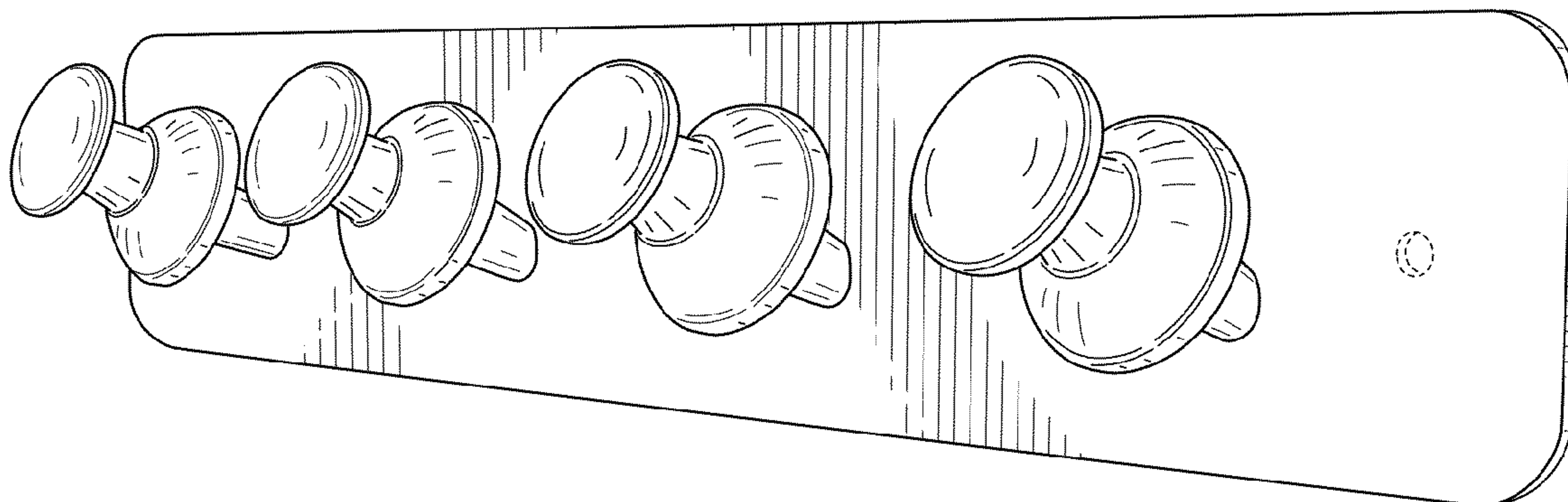
(57) **CLAIM**

The ornamental design for a hook rail, as shown and described.

DESCRIPTION

FIG. 1 is a perspective view according to one embodiment;
 FIG. 2 is a front elevational view;
 FIG. 3 is a rear elevational view;
 FIG. 4 is a top plan view;
 FIG. 5 is a bottom plan view;
 FIG. 6 is a left side elevational view;
 FIG. 7 is a right side elevational view;
 FIG. 8 is a perspective view according to another embodiment;
 FIG. 9 is a front elevational view;
 FIG. 10 is a rear elevational view;
 FIG. 11 is a top plan view;
 FIG. 12 is a bottom plan view;
 FIG. 13 is a left side elevational view; and,
 FIG. 14 is a right side elevational view.
 The broken lines showing a portion of a back plate are included for the purpose of illustrating environment and form no part of the claimed design.

1 Claim, 8 Drawing Sheets



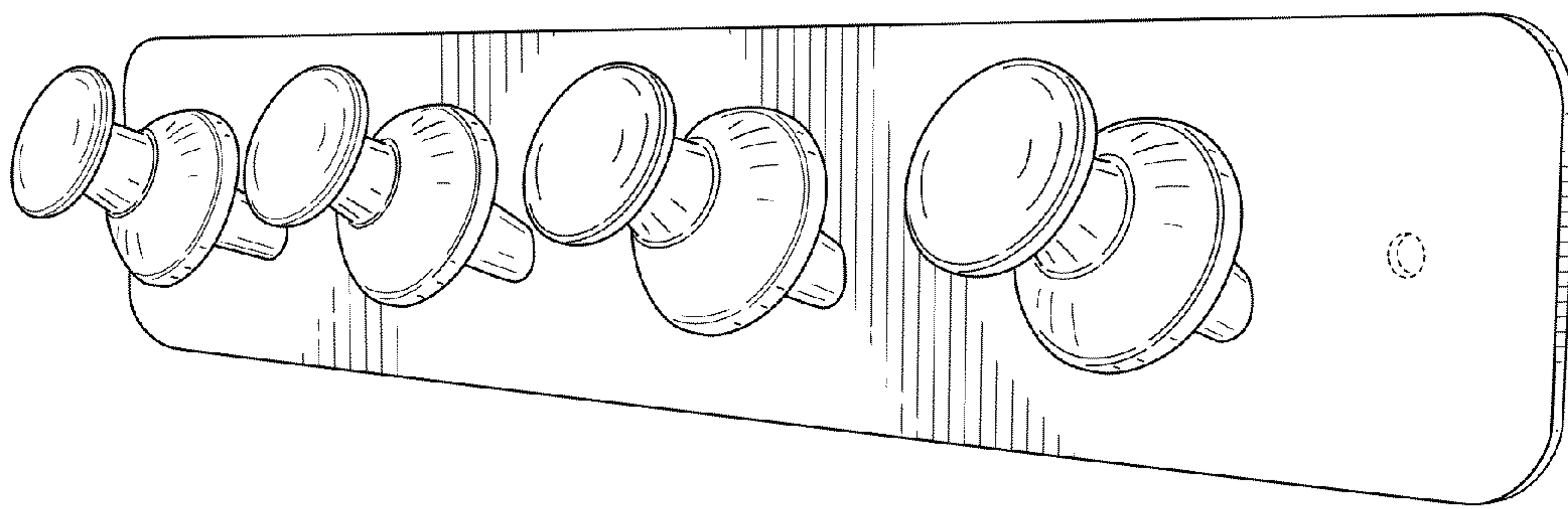


FIG. 1

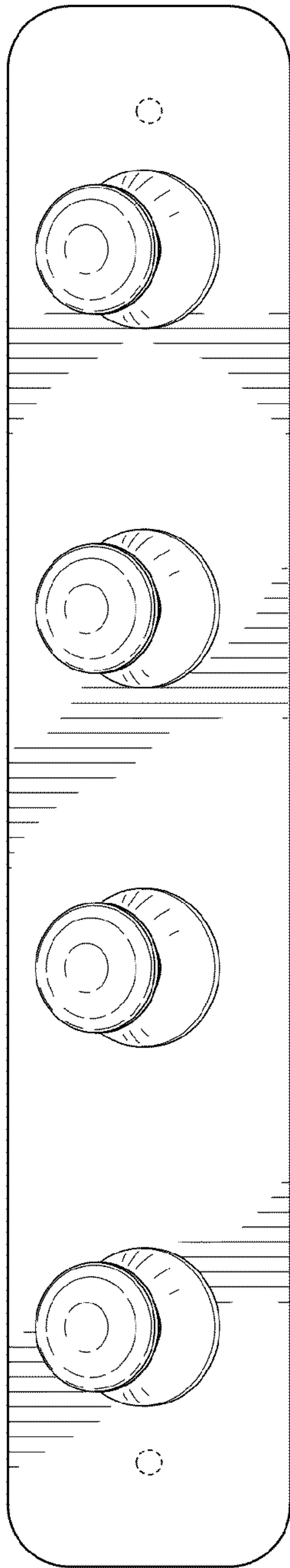


FIG. 2

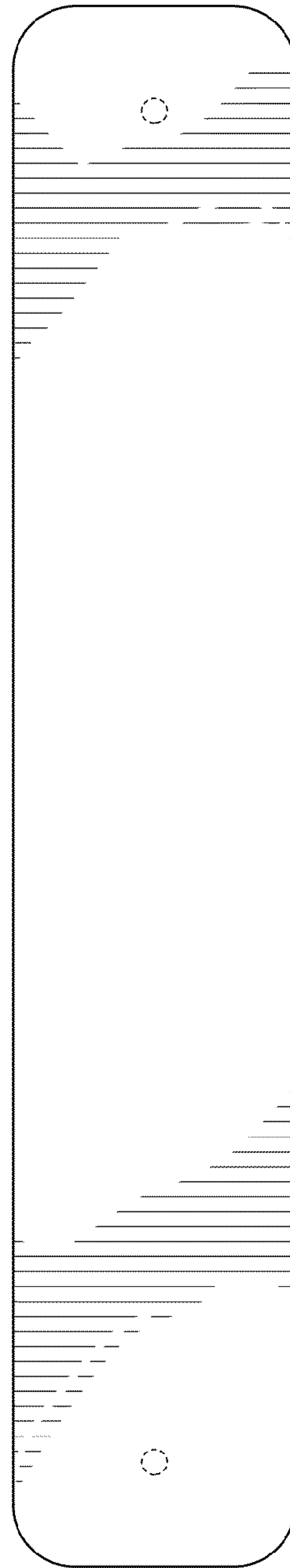


FIG. 3

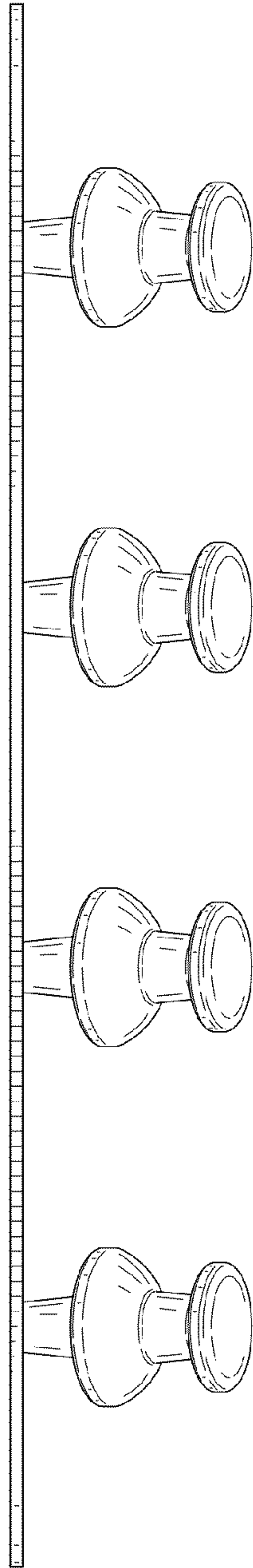


FIG. 4

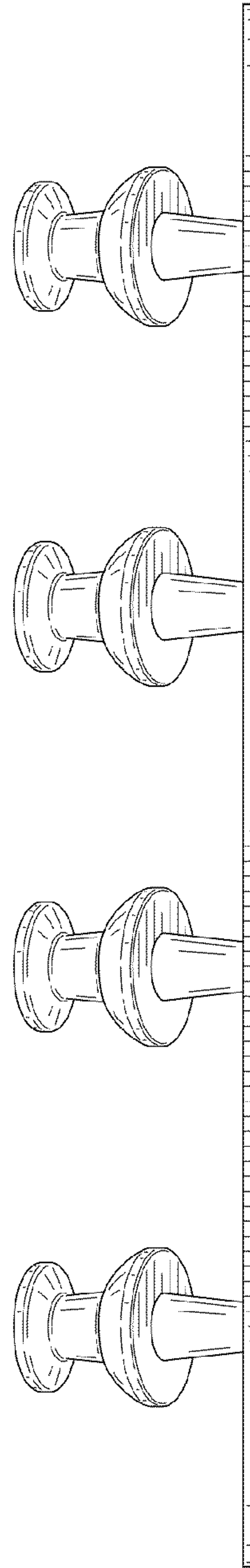


FIG. 5

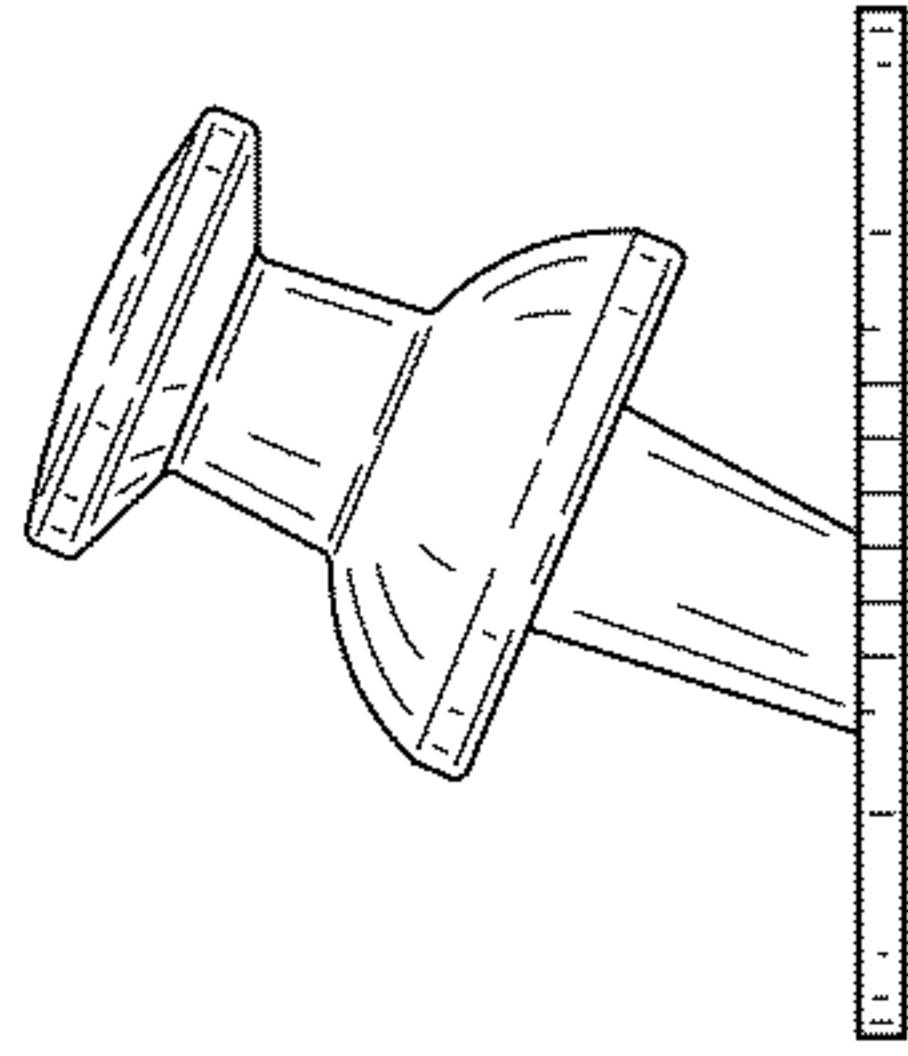


FIG. 6

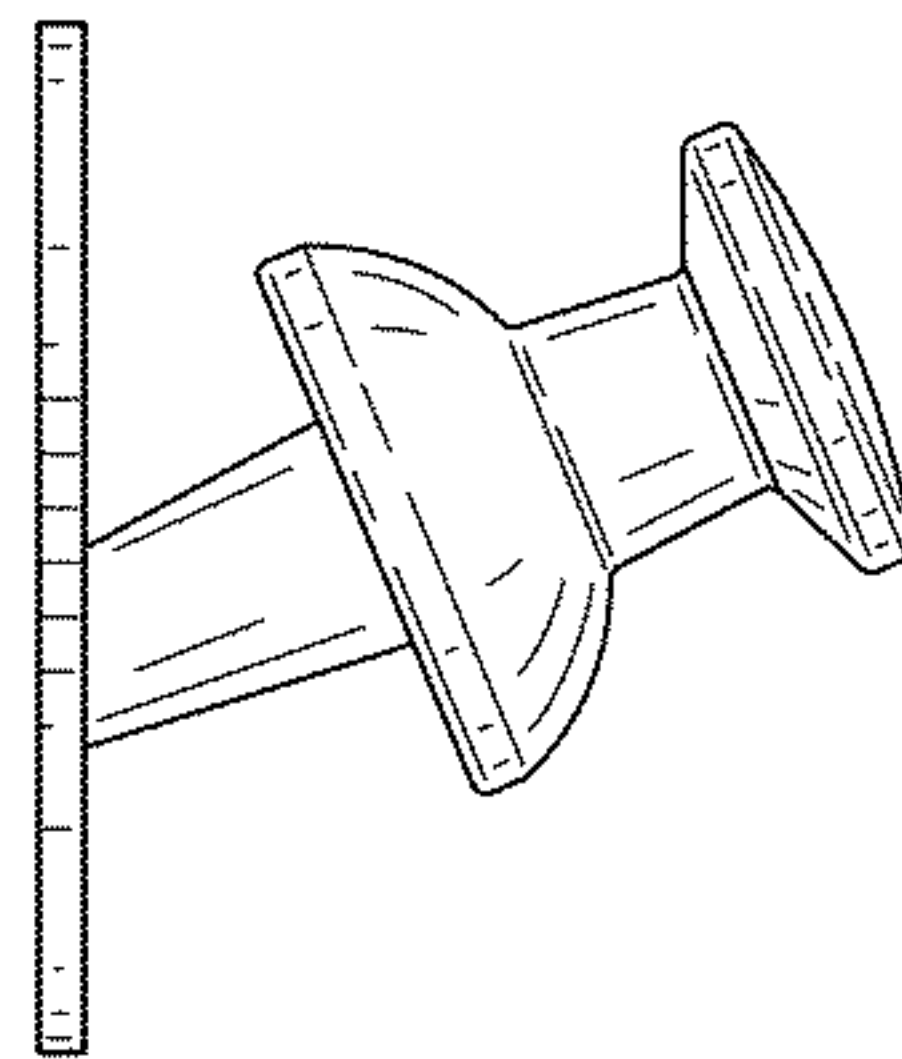


FIG. 7

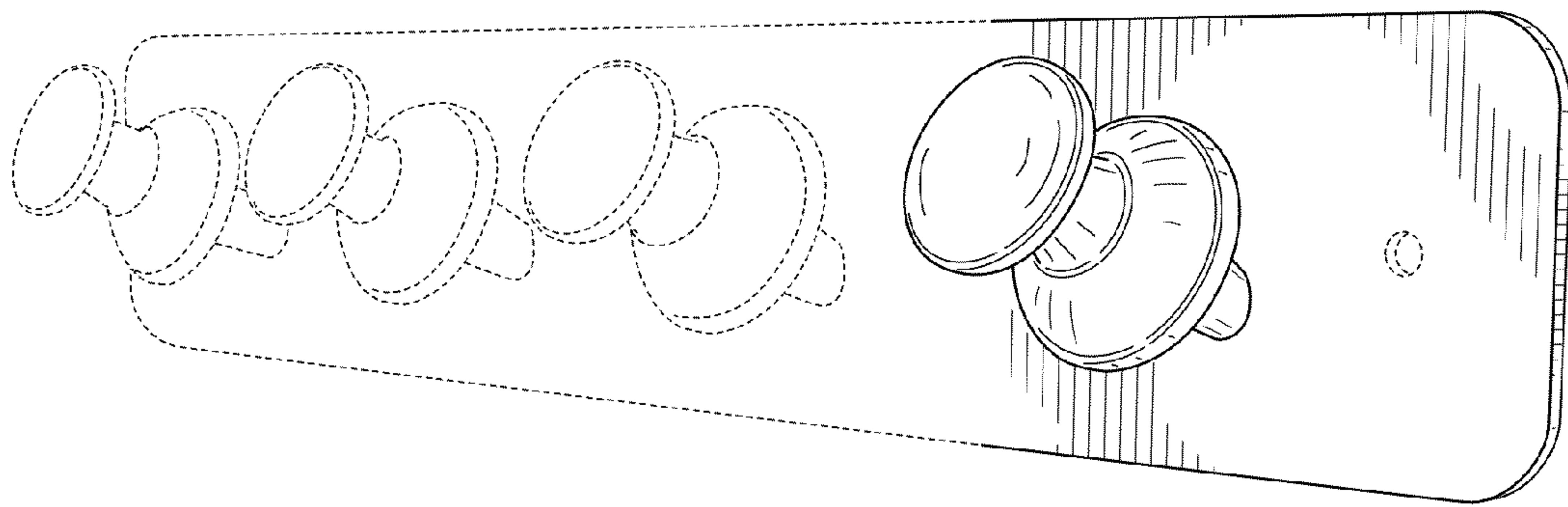


FIG. 8

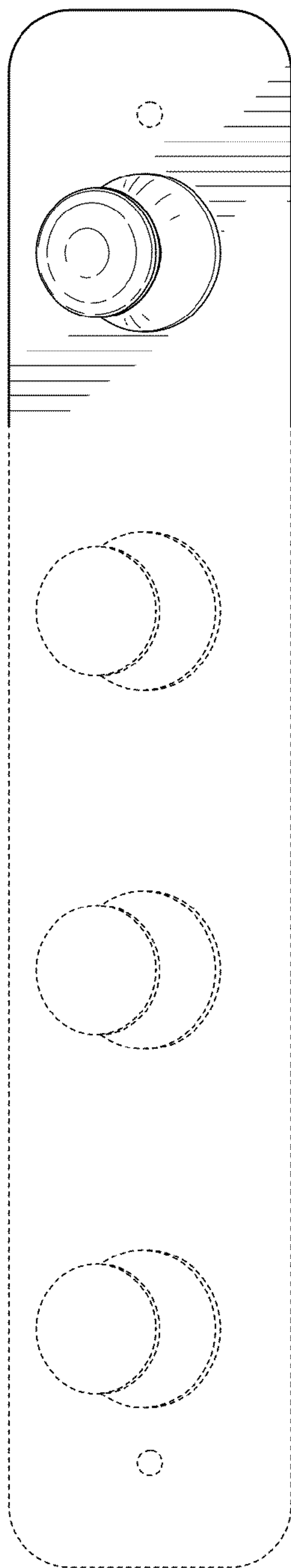


FIG. 9

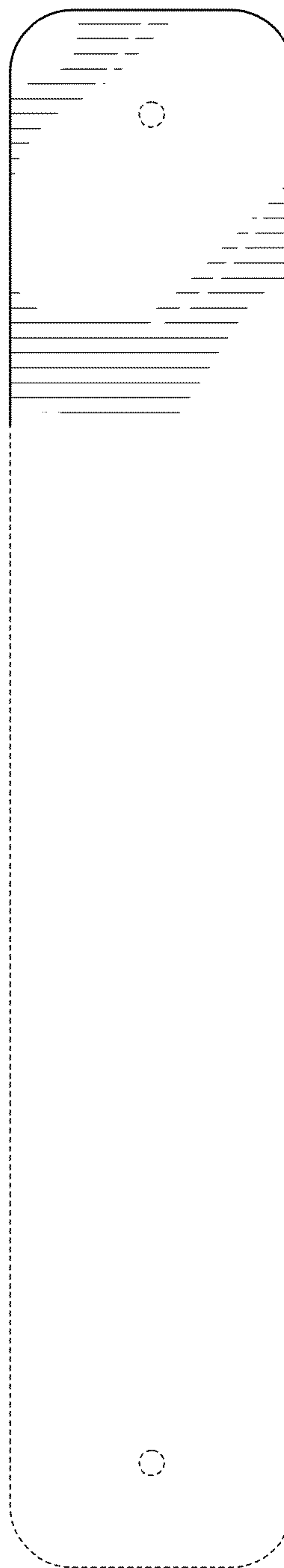


FIG. 10

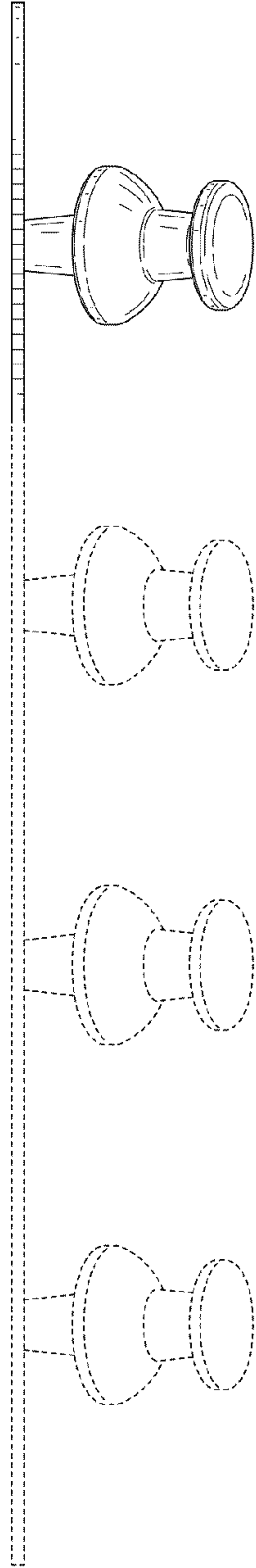


FIG. 11

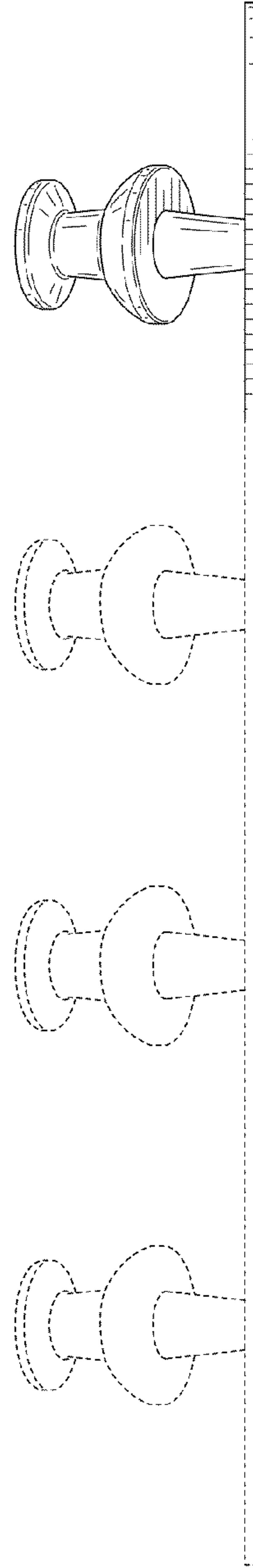


FIG. 12

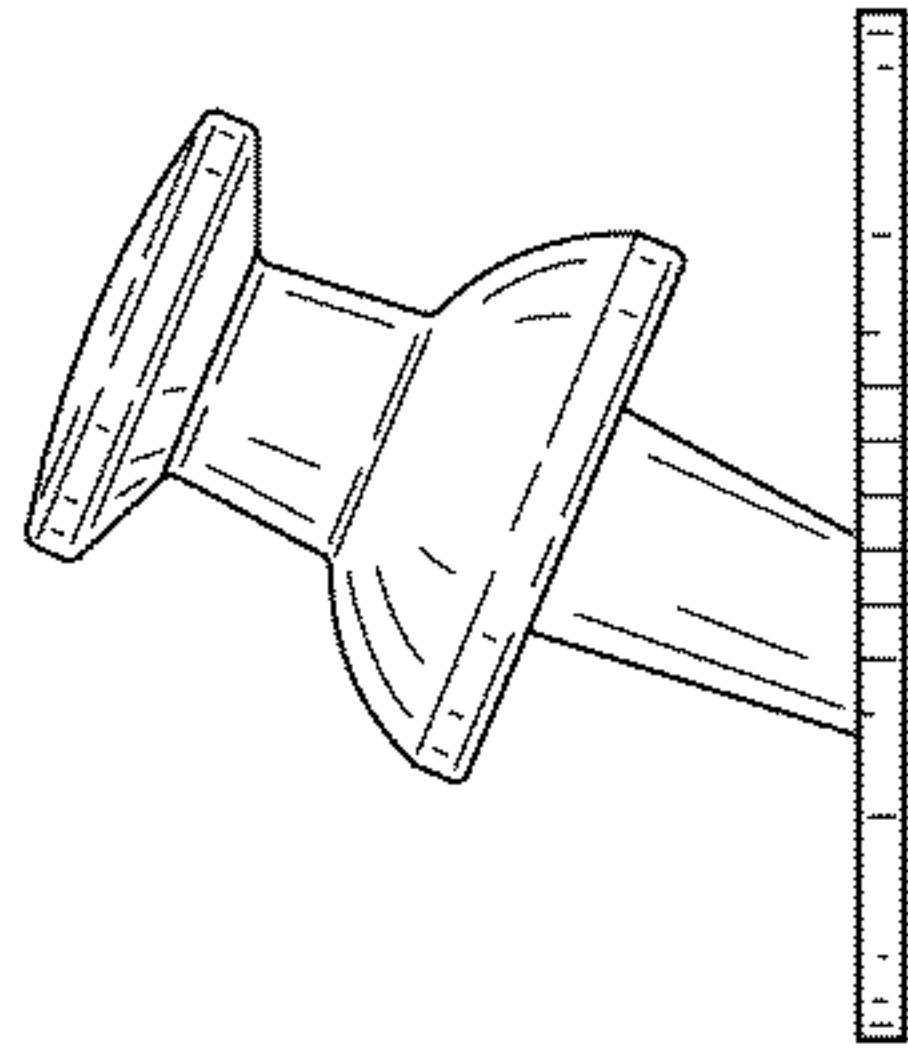


FIG. 13

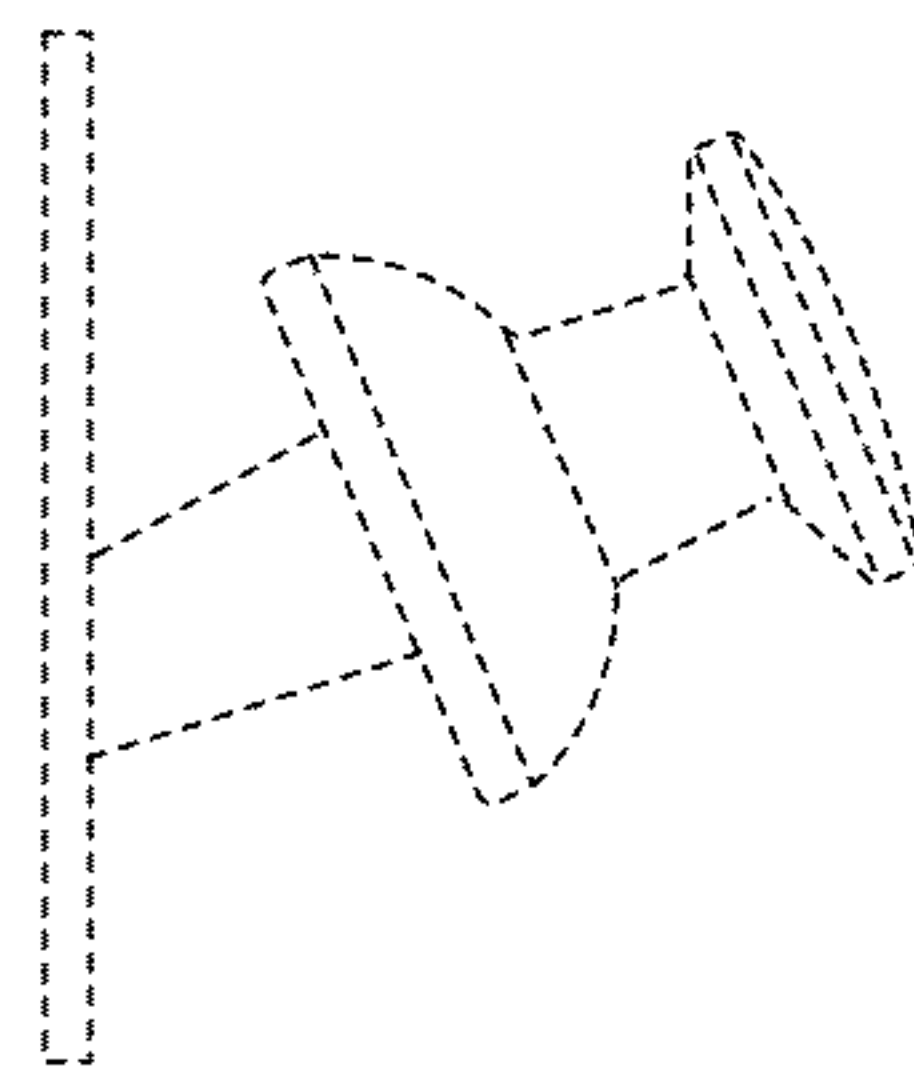


FIG. 14