



US00D694096S

(12) **United States Design Patent**  
**DeFrancisci**

(10) **Patent No.:** **US D694,096 S**

(45) **Date of Patent:** **\*\* Nov. 26, 2013**

(54) **HOOK**

(71) Applicant: **Leonard J. DeFrancisci**, West  
Melbourne, FL (US)

(72) Inventor: **Leonard J. DeFrancisci**, West  
Melbourne, FL (US)

(\*\*) Term: **14 Years**

(21) Appl. No.: **29/436,805**

(22) Filed: **Nov. 9, 2012**

(51) **LOC (9) Cl.** ..... **08-05**

(52) **U.S. Cl.**  
USPC ..... **D8/367**

(58) **Field of Classification Search**  
USPC ..... D8/367, 354, 349, 373; D6/323;  
248/301-304, 339, 205.3  
See application file for complete search history.

(56) **References Cited**

**U.S. PATENT DOCUMENTS**

424,516	A *	4/1890	Turnbull	.....	24/197
535,502	A *	3/1895	Knighton	.....	24/16 R
3,653,565	A *	4/1972	McAusland	.....	294/166
3,994,048	A *	11/1976	Rosenthal	.....	24/306
4,878,274	A *	11/1989	Patricy	.....	24/306
4,963,410	A *	10/1990	Bryant	.....	428/100
5,325,568	A *	7/1994	Bruhm	.....	24/301
D401,137	S *	11/1998	Boelling	.....	D8/394
5,881,436	A *	3/1999	Lyons	.....	24/16 R
D441,413	S *	5/2001	Cataldi et al.	.....	D21/692
6,287,062	B1 *	9/2001	Vallance	.....	410/97

6,353,975	B1 *	3/2002	Phillips	.....	24/16 R
D460,344	S *	7/2002	Smith	.....	D8/367
D480,946	S *	10/2003	Estep, Jr.	.....	D8/367
6,755,383	B2 *	6/2004	Davis	.....	248/508
D554,977	S *	11/2007	Ravoy, Jr.	.....	D8/354
D580,257	S *	11/2008	Squyres	.....	D8/349
D618,536	S *	6/2010	Eason	.....	D8/349
D628,876	S *	12/2010	Pierce	.....	D8/367
D654,639	S *	2/2012	Huber et al.	.....	D30/153
D659,516	S *	5/2012	Schoen et al.	.....	D8/355
D687,699	S *	8/2013	Hollis et al.	.....	D8/356

\* cited by examiner

*Primary Examiner* — Cynthia Underwood

(74) *Attorney, Agent, or Firm* — Allen Dyer Doppelt  
Milbrath & Gilchrist, P.A.

(57) **CLAIM**

The ornamental design for a hook, as shown and described.

**DESCRIPTION**

FIG. 1 is a top, left, front perspective view thereof;

FIG. 2 is a top view thereof;

FIG. 3 is a bottom view thereof;

FIG. 4 is a left side view thereof;

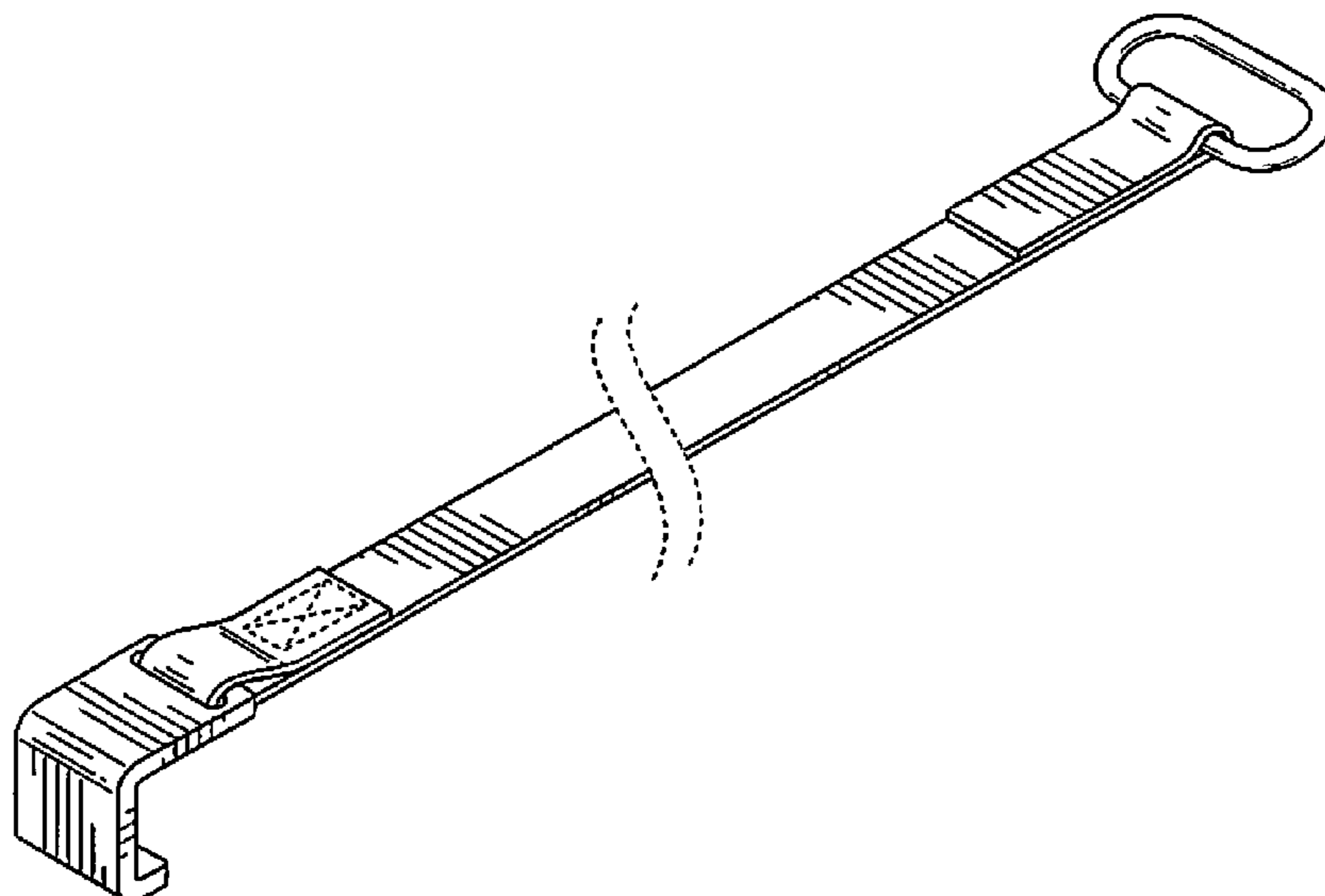
FIG. 5 is a right side view thereof;

FIG. 6 is a front view thereof; and,

FIG. 7 is a rear view thereof.

The broken away symbols in the drawings indicate that any portion of the article beyond what is shown forms no part of the claimed design.

**1 Claim, 4 Drawing Sheets**



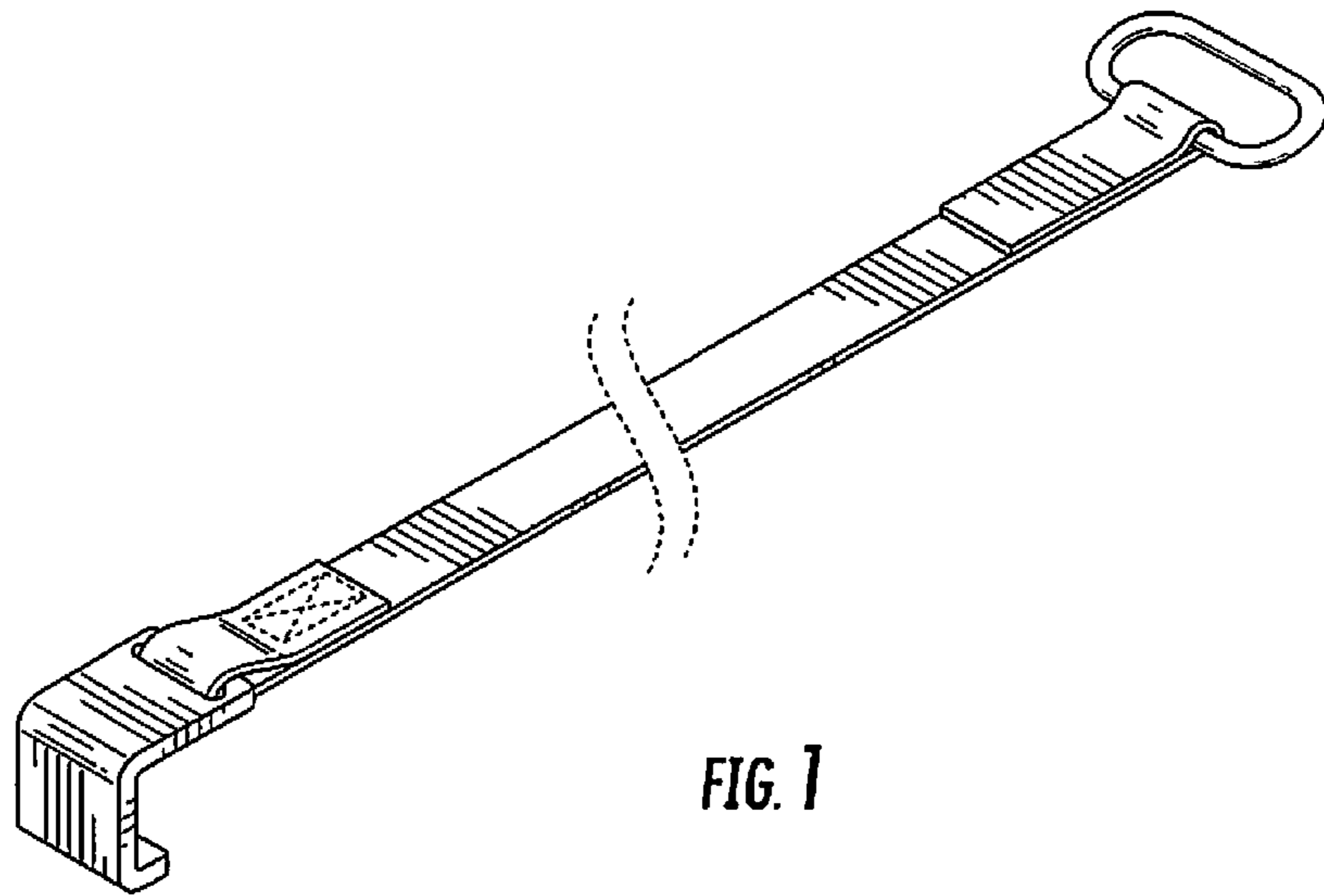


FIG. 1

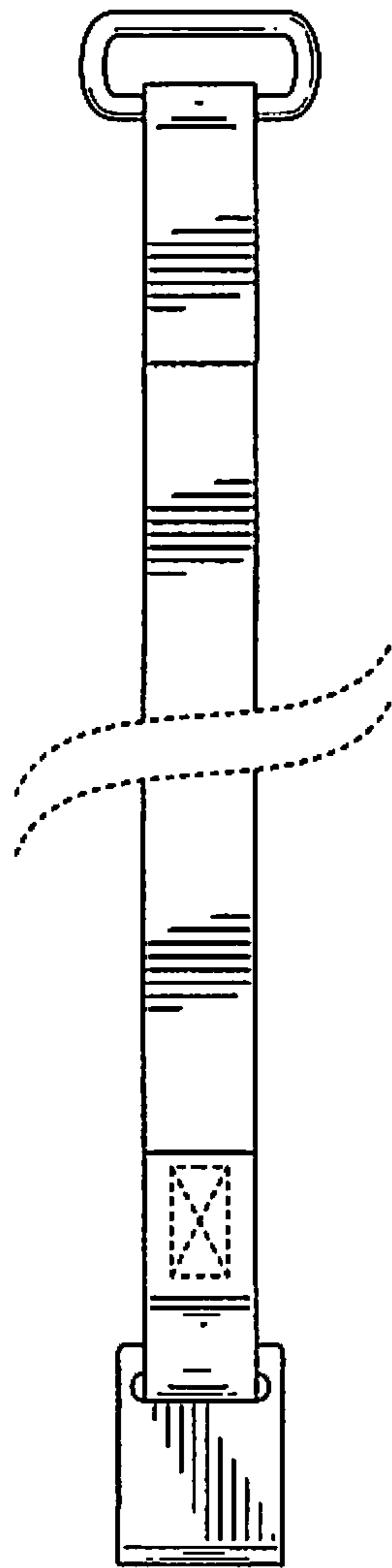


FIG. 2

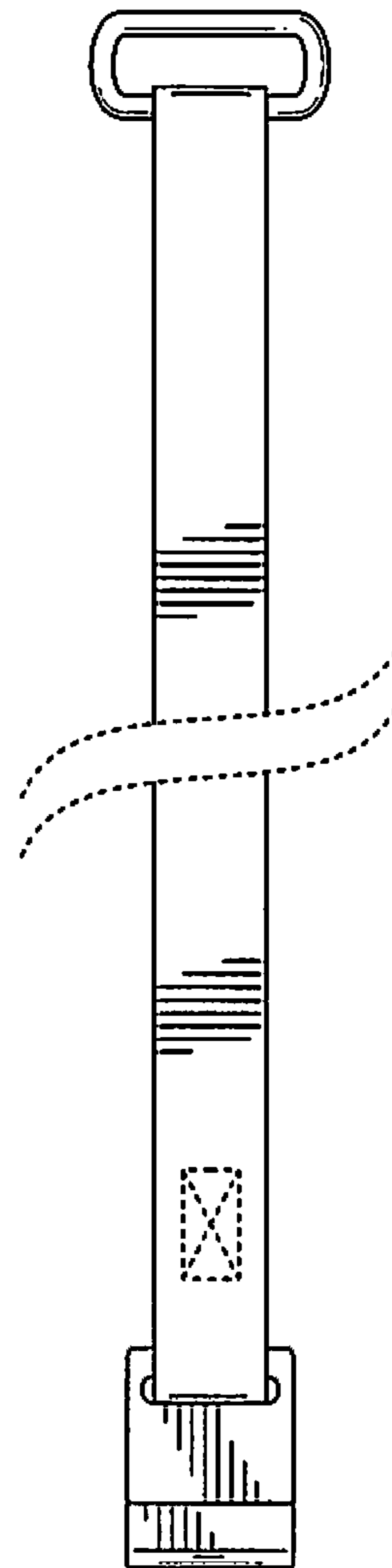


FIG. 3

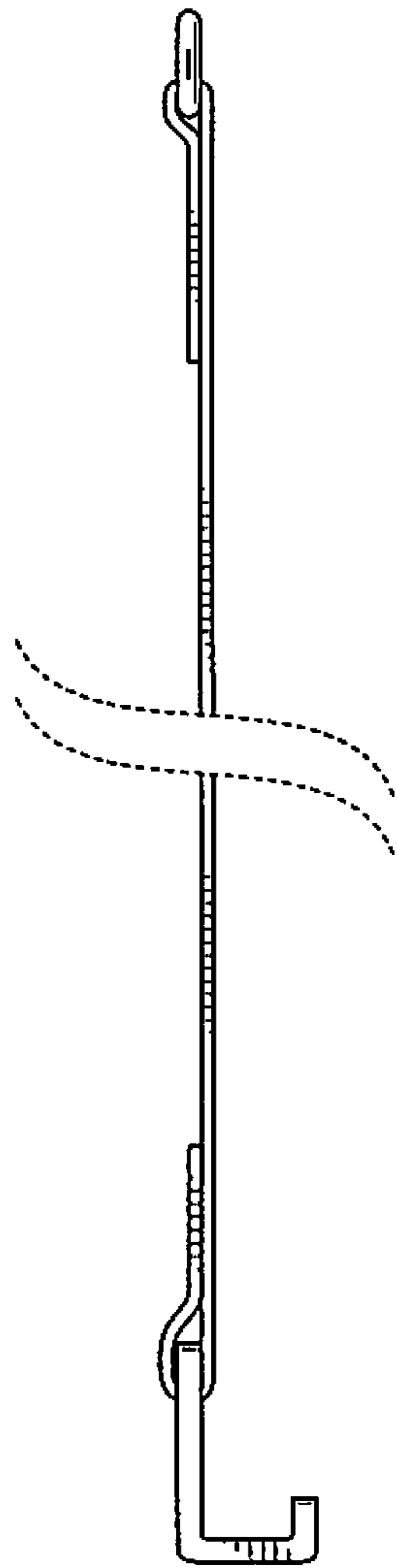


FIG. 4

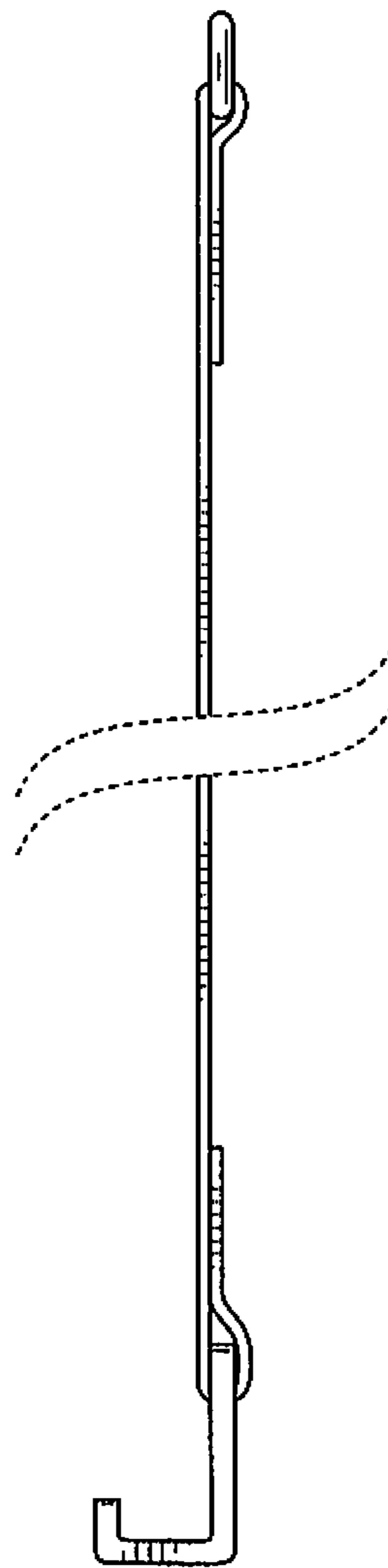


FIG. 5



**FIG. 6**



**FIG. 7**