



US00D694094S

(12) **United States Design Patent**
Yang

(10) **Patent No.:** **US D694,094 S**

(45) **Date of Patent:** **** Nov. 26, 2013**

(54) **LOCK**

(71) Applicant: **Yao-Kun Yang**, Changhua County (TW)

(72) Inventor: **Yao-Kun Yang**, Changhua County (TW)

(**) Term: **14 Years**

(21) Appl. No.: **29/438,468**

(22) Filed: **Nov. 30, 2012**

(51) **LOC (9) Cl.** **08-07**

(52) **U.S. Cl.**
USPC **D8/334**

(58) **Field of Classification Search**
USPC D8/330, 331, 334, 343, 346, 333;
70/14, 20-28, 35, 51, 52, 38 A, 53, 54,
70/DIG. 9, DIG. 63, DIG. 71, 284, 285,
70/312, 315, 317, 318
See application file for complete search history.

(56) **References Cited**

U.S. PATENT DOCUMENTS

3,750,431	A	*	8/1973	Atkinson	70/21
4,224,813	A	*	9/1980	Hampton	70/51
4,226,100	A	*	10/1980	Hampton et al.	70/51
D321,824	S	*	11/1991	Appelbaum	D8/334
5,761,935	A	*	6/1998	Adelmeyer	70/55
D547,161	S	*	7/2007	Blomstrom et al.	D8/334
D566,521	S	*	4/2008	Rohde et al.	D8/333

D606,841	S	*	12/2009	Stevens	D8/334
D614,044	S	*	4/2010	Mouquet	D8/334
D630,260	S	*	1/2011	Cole et al.	D21/483
D646,148	S	*	10/2011	Good et al.	D8/334
D656,384	S	*	3/2012	Wojtak	D8/334
D683,611	S	*	6/2013	Walter	D8/334

* cited by examiner

Primary Examiner — Prabhakar Deshmukh

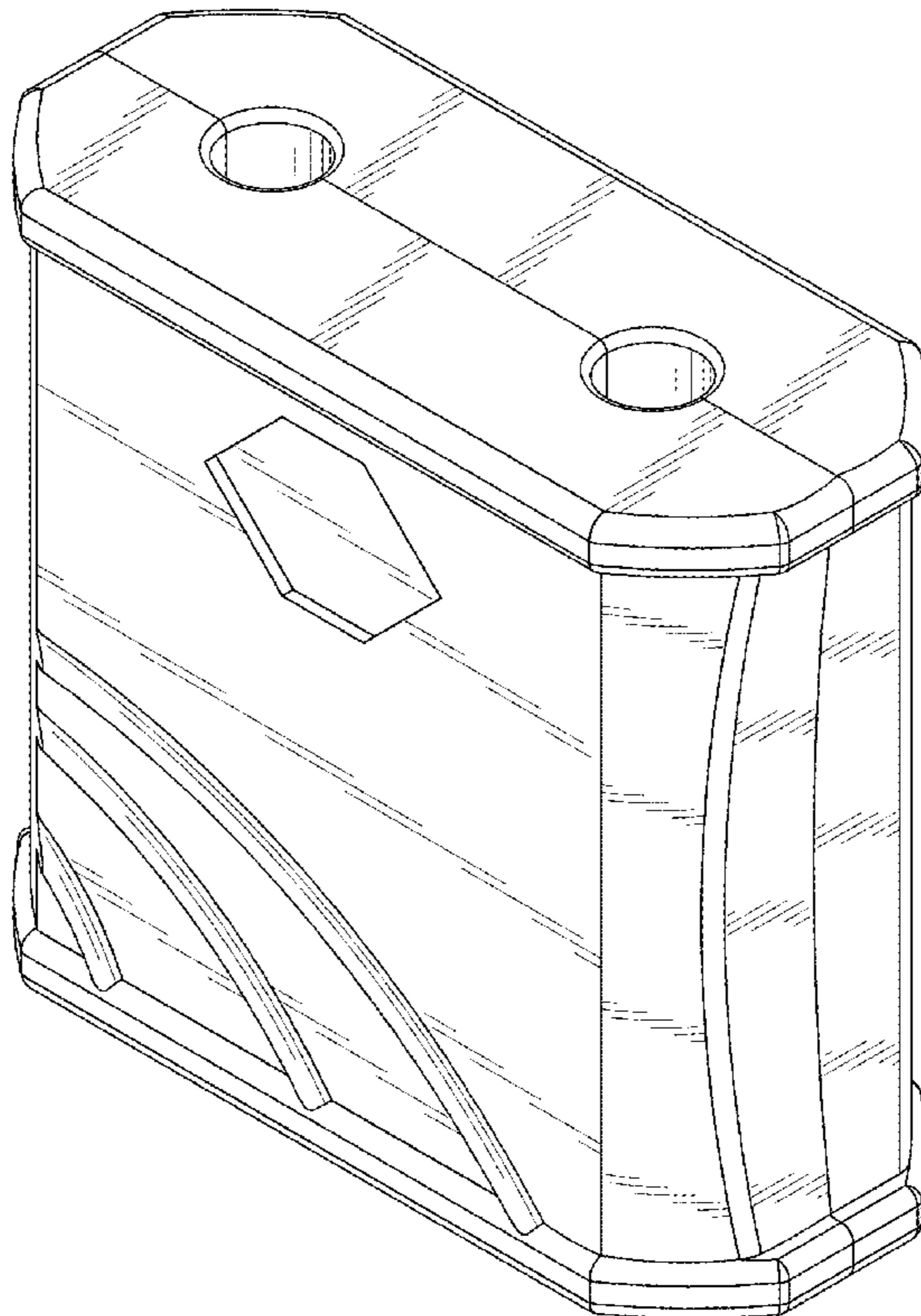
(57) **CLAIM**

The ornamental design for a lock, as shown and described.

DESCRIPTION

FIG. 1 is a perspective view of a lock showing my new design;
FIG. 2 is a front elevational view thereof;
FIG. 3 is a rear elevational view thereof;
FIG. 4 is a left side view thereof;
FIG. 5 is a right side view thereof;
FIG. 6 is a top plan view thereof;
FIG. 7 is a bottom plan view thereof; and,
FIG. 8 is an assembled view for showing a shackle is
assembled to the lock, wherein the broken line portion is for
illustrative purpose only and forms no part of the claimed
design.

1 Claim, 7 Drawing Sheets



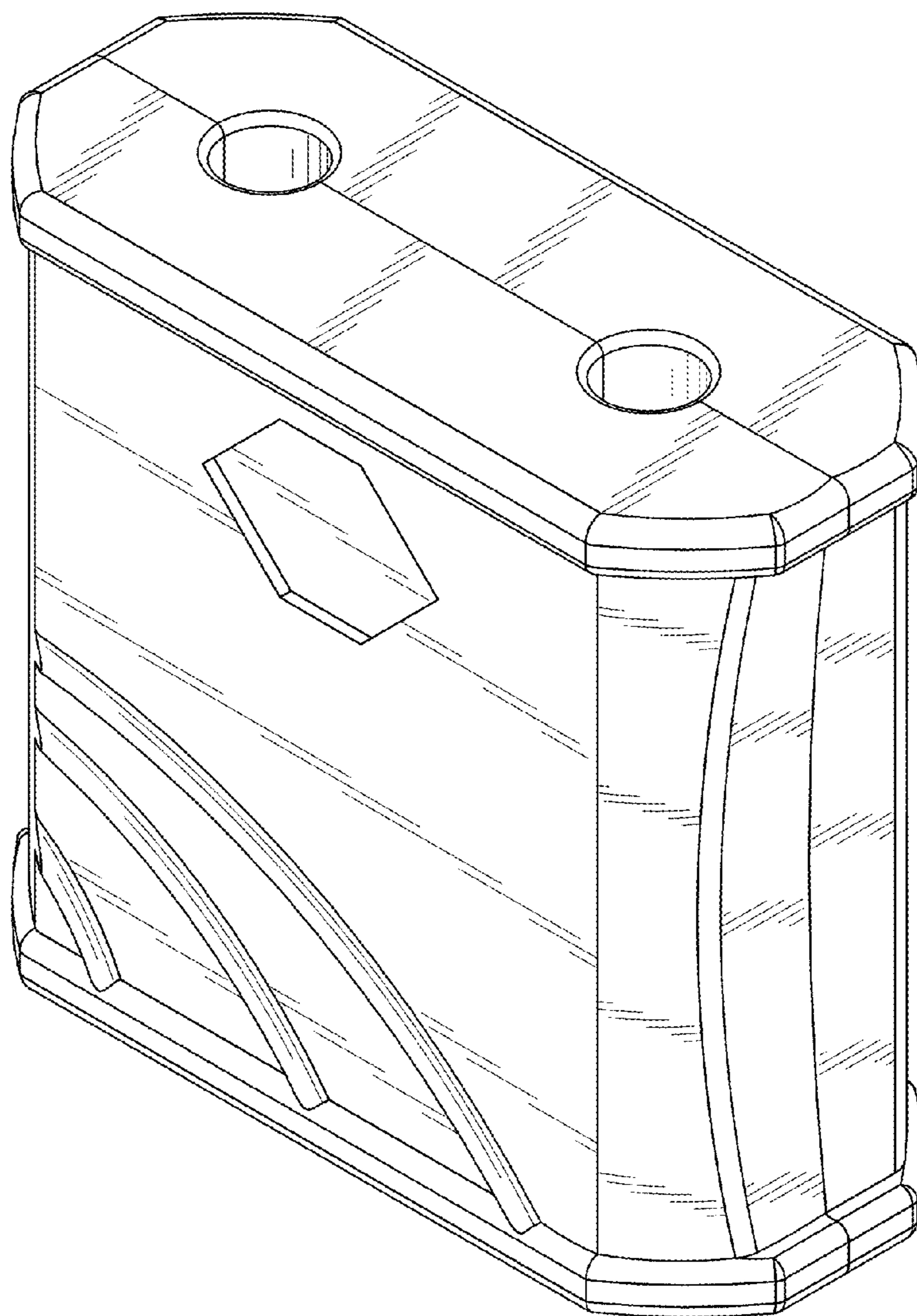


FIG. 1

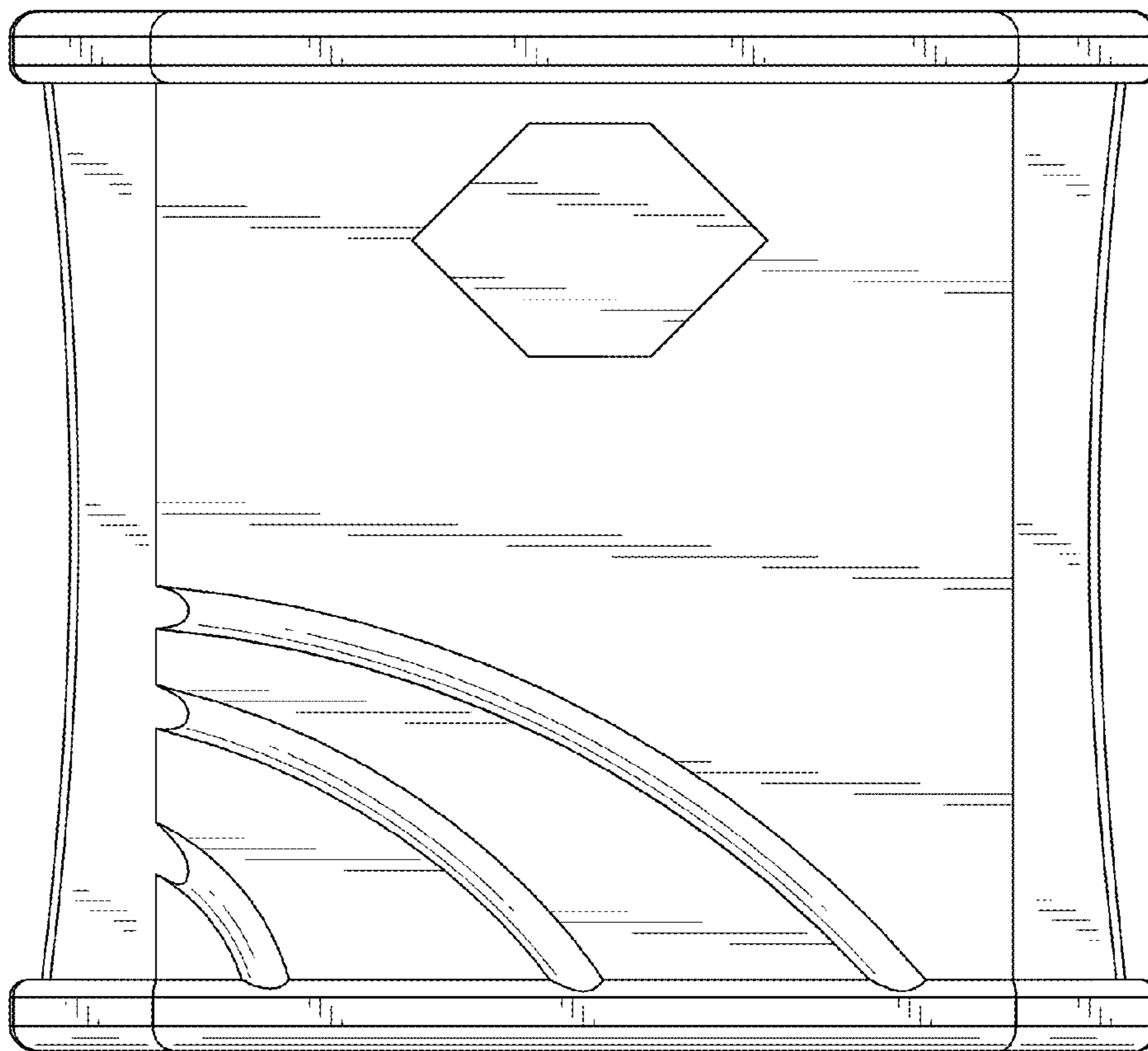


FIG. 2

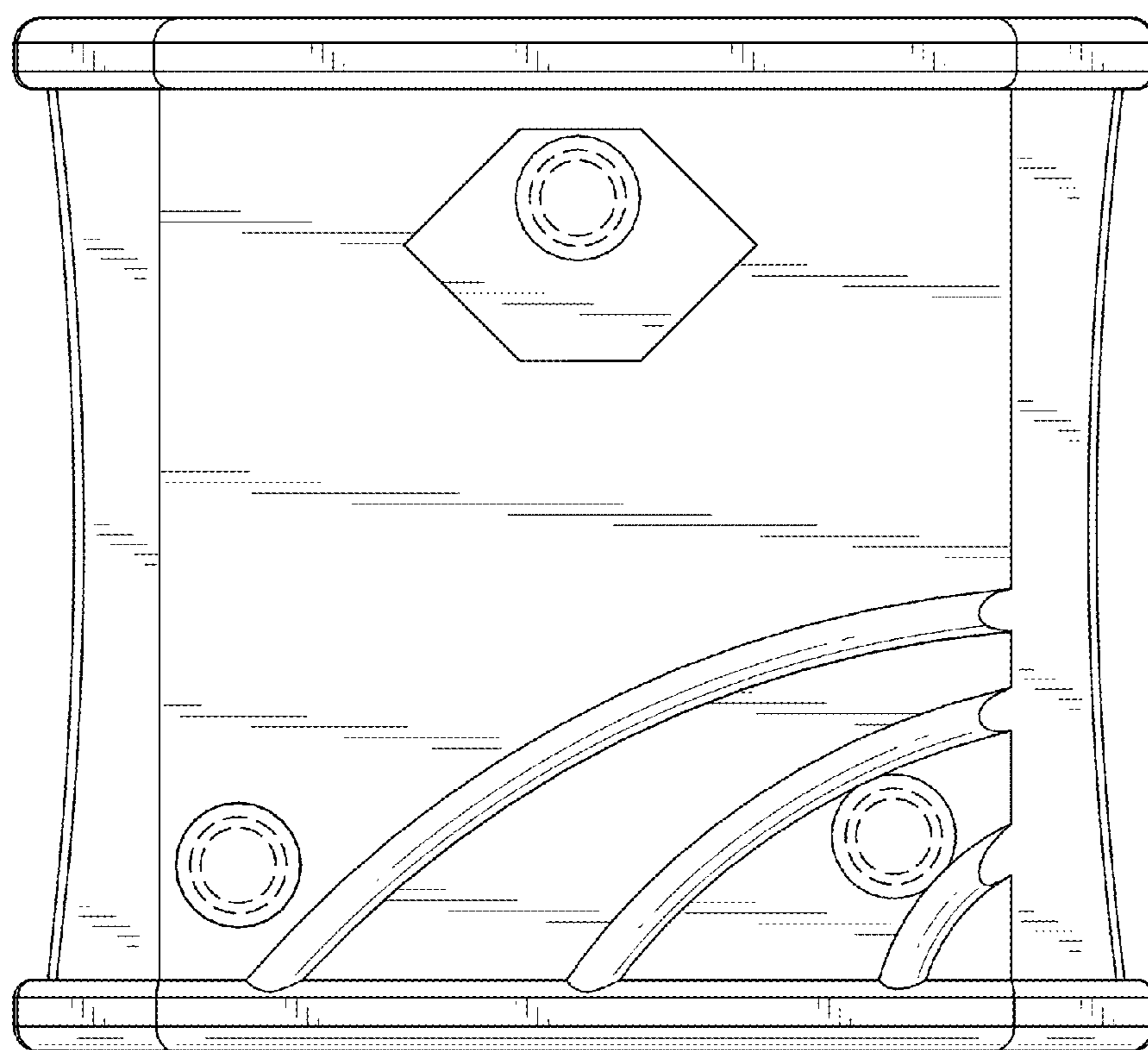


FIG. 3

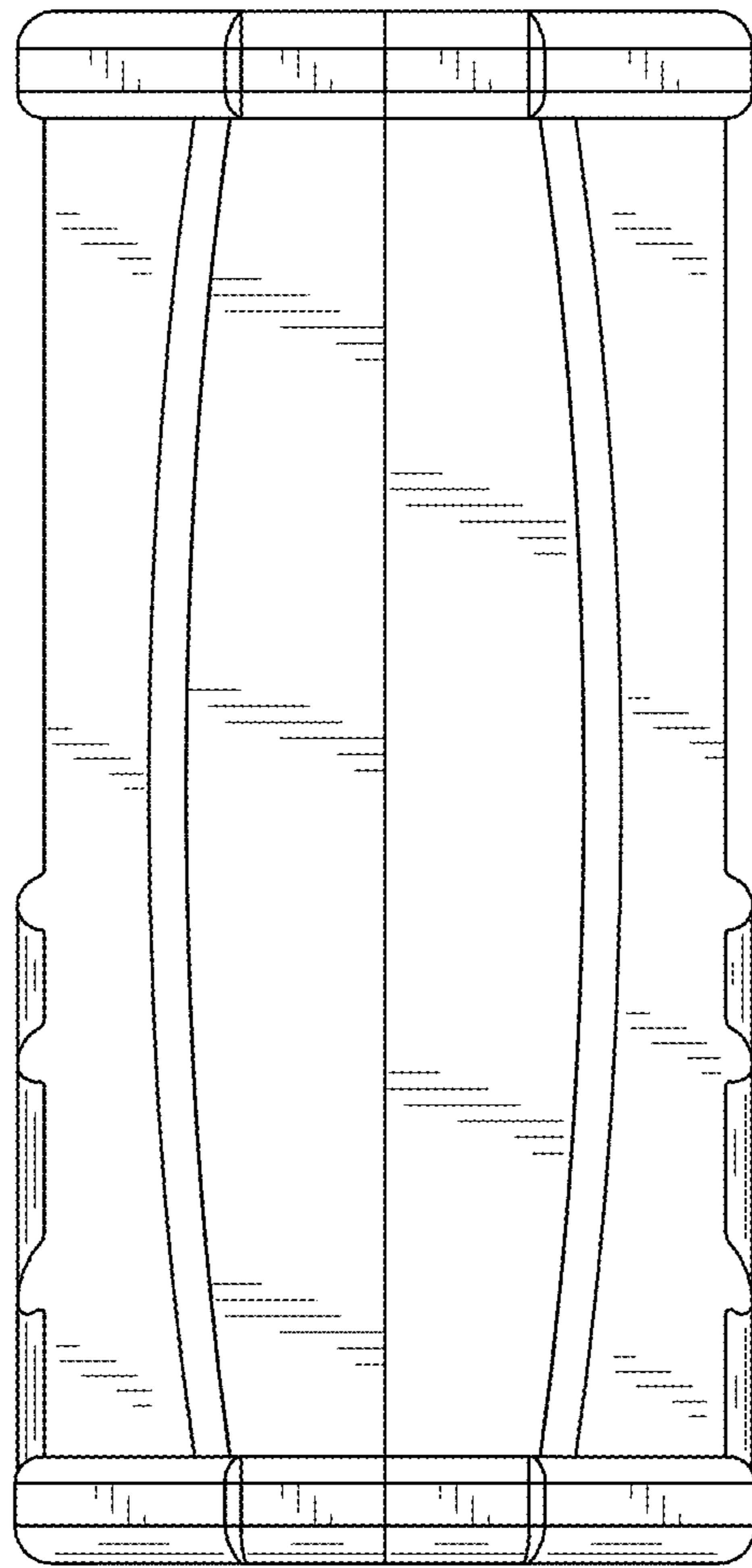


FIG. 4

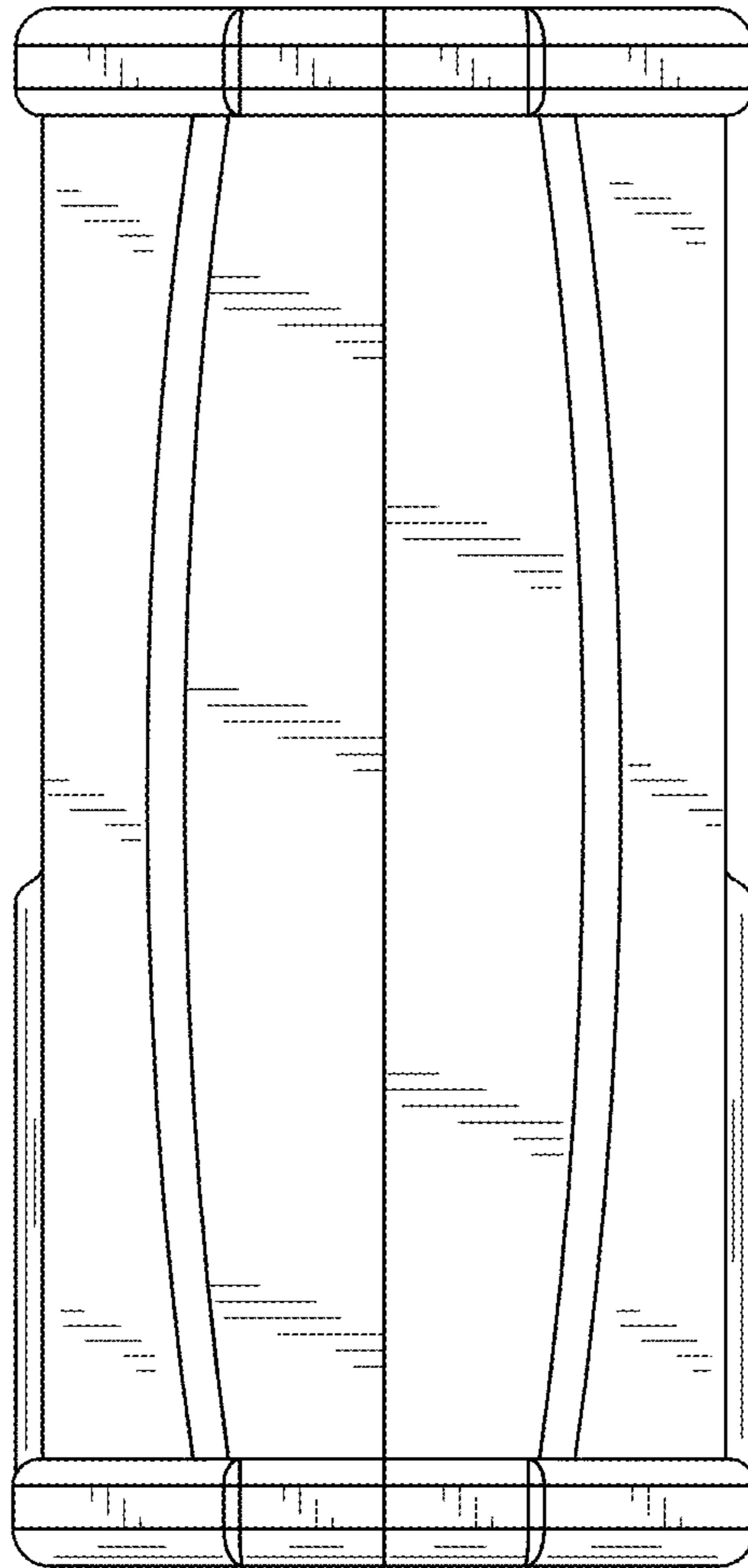


FIG. 5

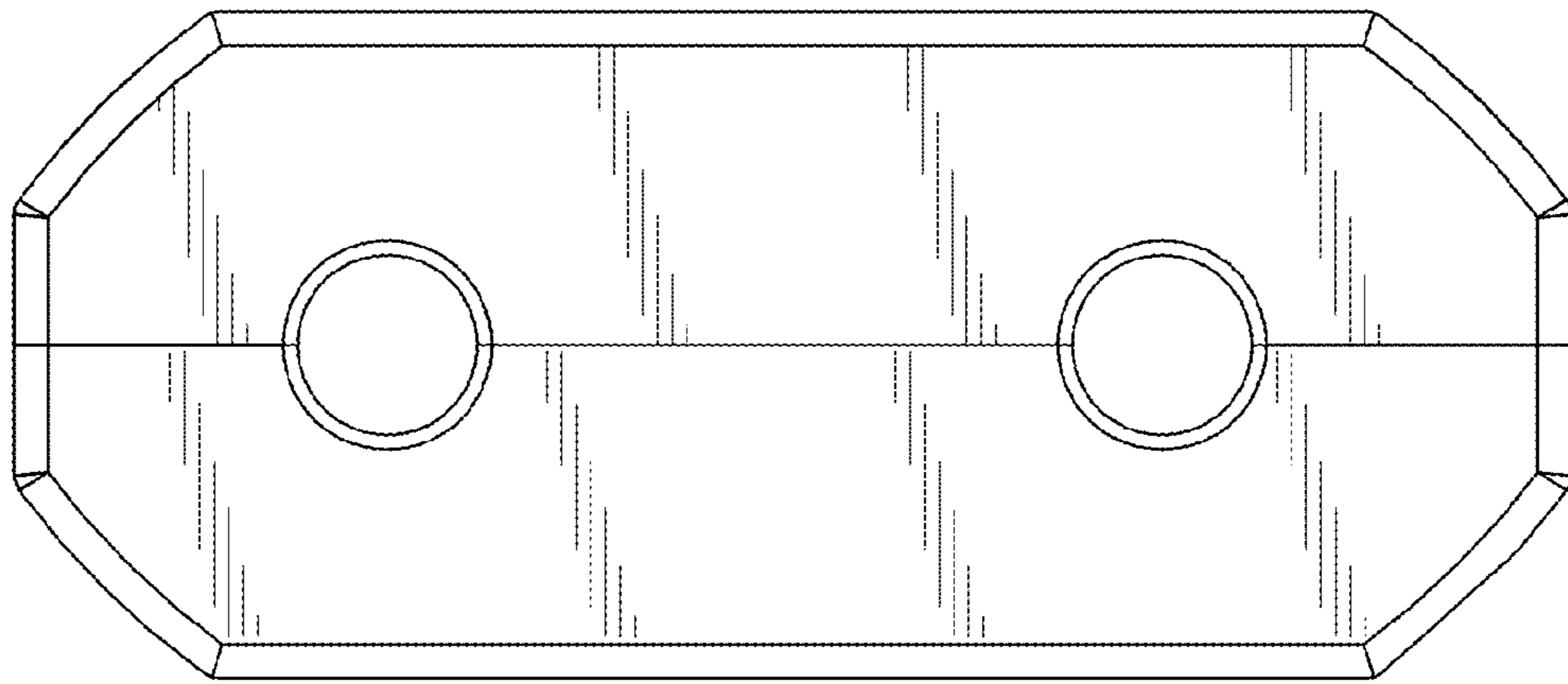


FIG. 6

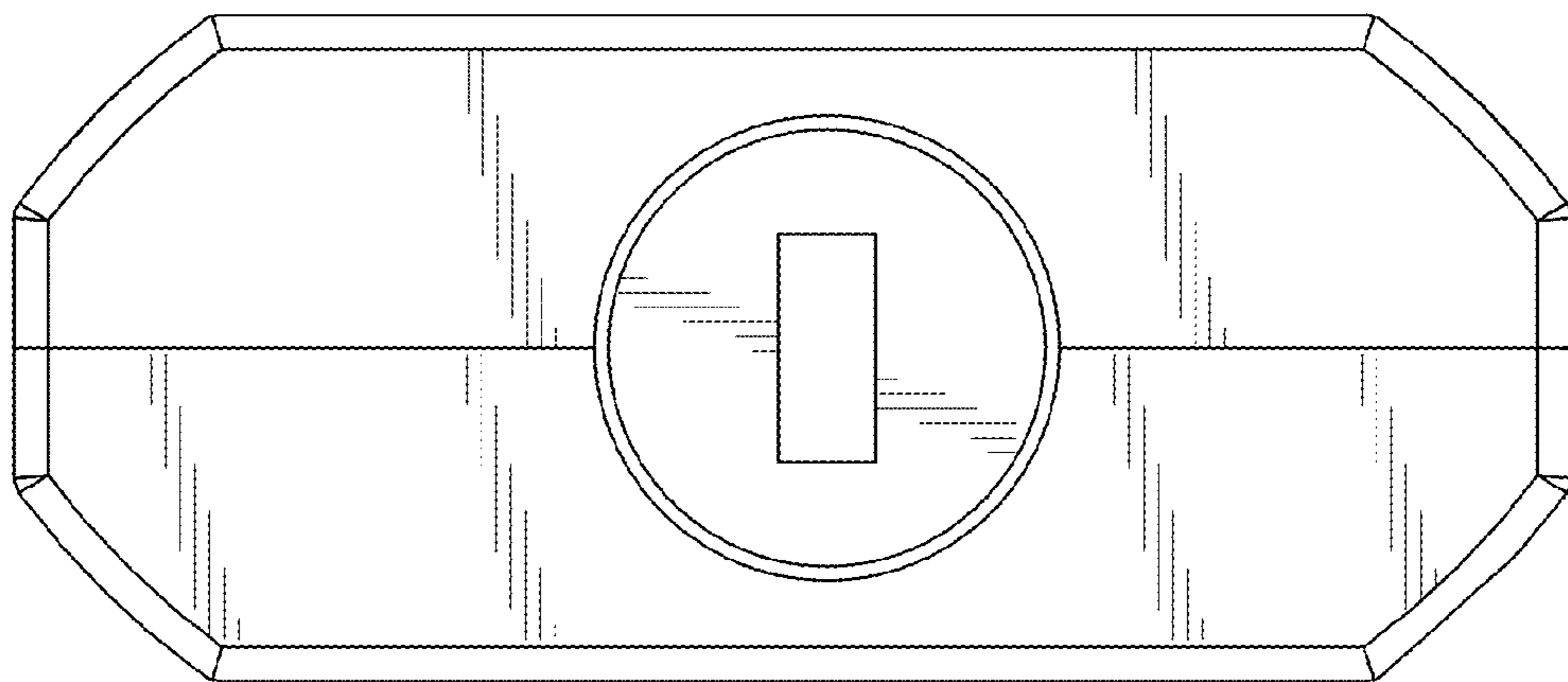


FIG. 7

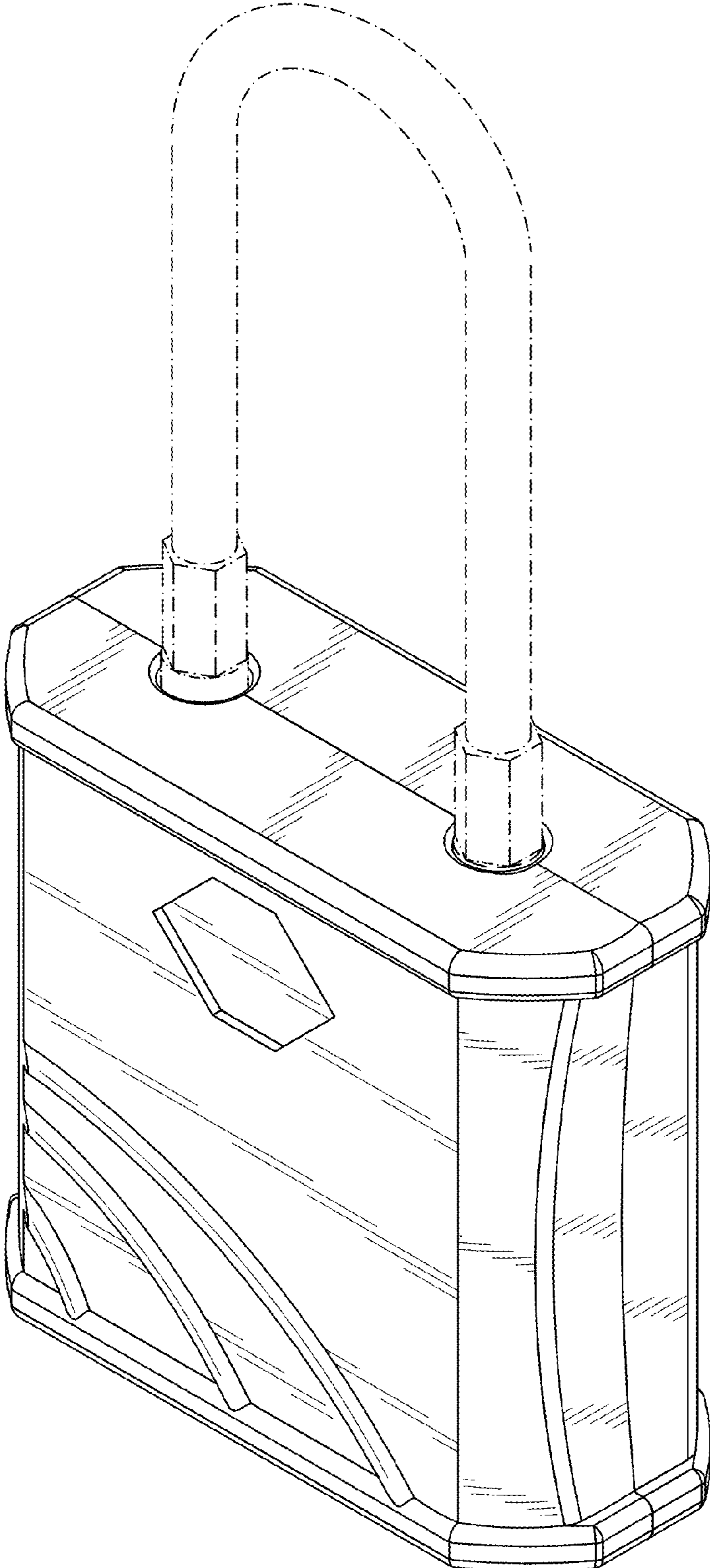


FIG. 8