



US00D694092S

(12) **United States Design Patent**
Davidson et al.

(10) **Patent No.:** **US D694,092 S**

(45) **Date of Patent:** **** *Nov. 26, 2013**

(54) **CABLE LOCK**

(75) Inventors: **Hugo Davidson**, Richmond (AU);
Malcolm McKechnie, Richmond (AU);
Chris Bilanenko, Richmond (AU);
Kynan Taylor, Richmond (AU);
Jonathan Chan, Richmond (AU)

4,831,849 A 5/1989 Kortenbrede
D339,054 S * 9/1993 Saito D8/333
5,291,765 A 3/1994 Hoisington
D347,157 S * 5/1994 Brown D8/333
5,327,752 A * 7/1994 Myers et al. 70/58
5,406,810 A 4/1995 Chen

(Continued)

(73) Assignee: **Knog Pty. Ltd.** (AU)

(*) Notice: This patent is subject to a terminal disclaimer.

(**) Term: **14 Years**

(21) Appl. No.: **29/370,502**

(22) Filed: **Jul. 28, 2010**

(30) **Foreign Application Priority Data**

Jan. 28, 2010 (AU) 2010010325

(51) **LOC (9) Cl.** **08-07**

(52) **U.S. Cl.**
USPC **D8/333**

(58) **Field of Classification Search**
USPC D8/330, 331, 333-343; 70/14, 20, 23,
70/30, 31, 49, 50, 52, 58, 57.1, 233, 38 A
See application file for complete search history.

(56) **References Cited**

U.S. PATENT DOCUMENTS

3,841,118 A * 10/1974 Stone 70/33
3,987,653 A * 10/1976 Lyon et al. 70/19
D242,111 S * 11/1976 Proskin D8/333
D242,112 S * 11/1976 Sander D8/333
D242,983 S * 1/1977 Saitou D8/333
4,068,504 A * 1/1978 Pickard 70/18
4,075,878 A 2/1978 Best
4,819,464 A 4/1989 Kuo

FOREIGN PATENT DOCUMENTS

JP 2008-57197 3/2008
WO 2011/091474 8/2011

OTHER PUBLICATIONS

2006 LOX Max Series Cable Lock, Moore Large Catalog, UK, 2006.

(Continued)

Primary Examiner — Prabhakar Deshmukh

(74) *Attorney, Agent, or Firm* — Saidman DesignLaw Group

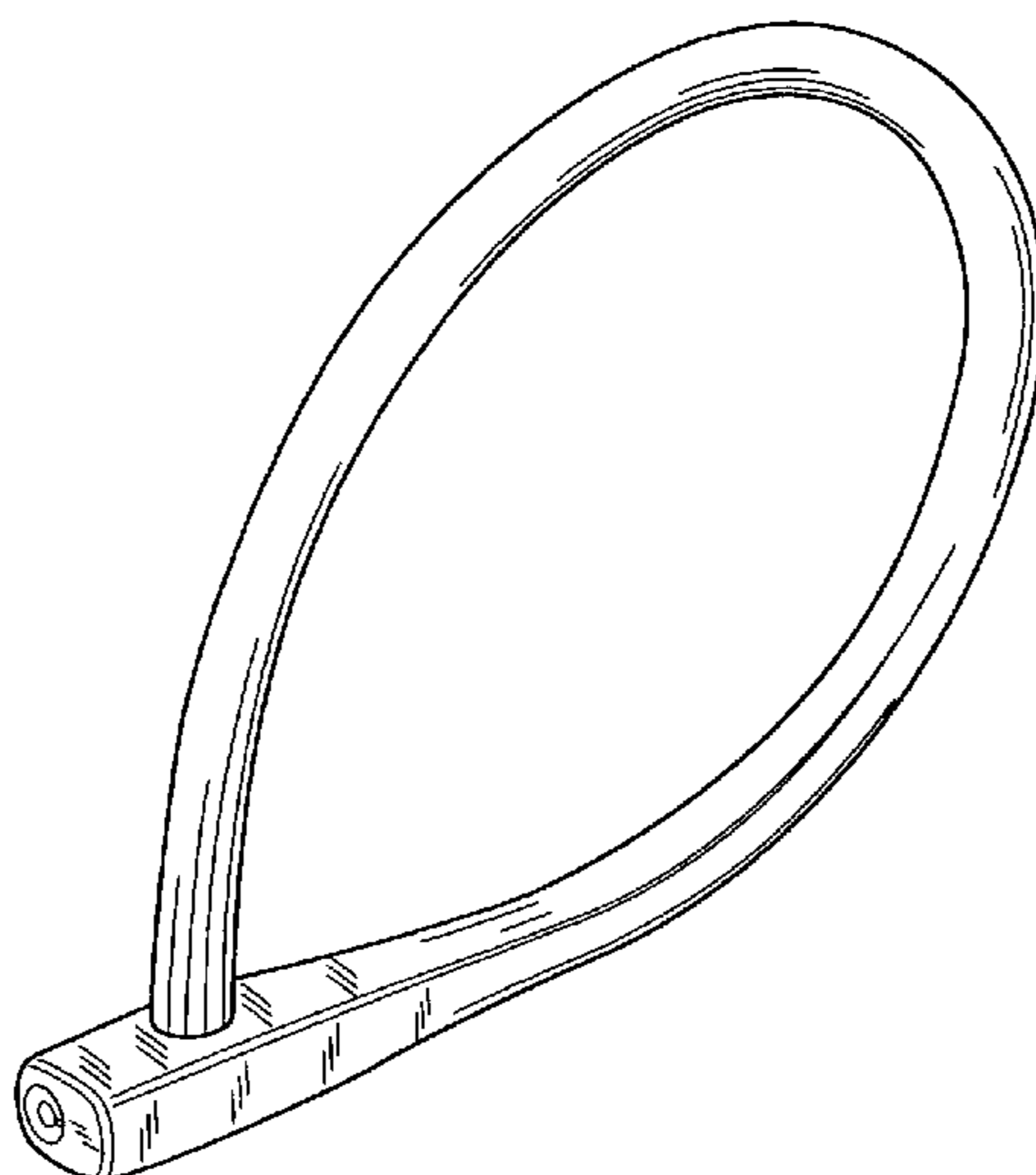
(57) **CLAIM**

The ornamental design for a cable lock, as shown and described.

DESCRIPTION

FIG. 1 is a front elevational view of a cable lock showing our new design;
FIG. 2 is a rear elevational view thereof;
FIG. 3 is a right side elevational view thereof;
FIG. 4 is a left side elevational view thereof;
FIG. 5 is a top plan view thereof;
FIG. 6 is a bottom plan view thereof;
FIG. 7 is a front and right side perspective view thereof;
FIG. 8 is a front and right side perspective view thereof, shown in closed position;
FIG. 9 is front and left side perspective view thereof; and,
FIG. 10 is a front and left side perspective view thereof, shown in closed position.

1 Claim, 10 Drawing Sheets



(56)

References Cited

U.S. PATENT DOCUMENTS

D370,401 S * 6/1996 Minkin D8/333
 5,568,740 A 10/1996 Lin
 D390,771 S * 2/1998 Egger D8/333
 5,752,416 A 5/1998 Nien
 5,761,934 A 6/1998 Kuo
 5,785,289 A 7/1998 Shieh
 5,829,280 A 11/1998 Chen
 5,937,678 A 8/1999 Kuo
 6,006,555 A 12/1999 Shu-Fen
 6,016,673 A 1/2000 McDaid
 6,026,664 A 2/2000 Lin
 6,055,833 A 5/2000 Ding-Chiang
 6,192,720 B1 * 2/2001 Kan 70/49
 6,227,016 B1 * 5/2001 Yu 70/30
 6,263,711 B1 7/2001 Kuo
 6,430,973 B1 8/2002 Huang
 6,481,250 B1 11/2002 Kuo
 6,923,027 B1 8/2005 Kuo
 7,104,083 B2 * 9/2006 Dube 62/272
 7,412,854 B2 * 8/2008 Raemisch et al. 70/30
 7,478,847 B2 * 1/2009 Kleynerman et al. 292/323
 7,543,467 B2 6/2009 Sheehan
 7,568,718 B1 * 8/2009 Thomas 280/507
 8,087,558 B2 * 1/2012 Tsai 224/425

8,117,875 B2 * 2/2012 Ellis 70/233
 8,223,488 B2 * 7/2012 Peter 361/679.57
 8,429,940 B2 4/2013 Evans
 2008/0022734 A1 1/2008 McDaid et al.
 2012/0131966 A1 5/2012 Yuan

OTHER PUBLICATIONS

2006 On Guard Akita X4 Power Cable Lock, Moore Large Catalog, UK, 2006.
 2006 Magnum Cable Lock, Moore Large Catalog, UK, 2006.
 2007 Trelock KS210, Fuchs-Movesa AG Catalog, Switzerland, 2007.
 2007 Trelock KS630, Fuchs-Movesa AG Catalog, Switzerland, 2007.
 2007 Trelock KS808, Fuchs-Movesa AG Catalog, Switzerland, 2007.
 2008 Magnum CL1-3019, Biker's Best Catalog, Denmark, 2008.
 2008 Magnum CL7, Biker's Best Catalog, Denmark, 2008.
 2009 On Guard X2 Power Cable Lock, OnGuard security products catalog, 2009.
 2010 YPK Café Lock, Diatech catalog, Japan, 2010.
 Knog Sausage Locks, Taipei trade show Mar. 2010.
 Abus 1900/55 kids lock, 2010.
 Kryptonite HardWire 15m, 2010.
 Kryptonite Gorgon, 2010.
 Handyway, Taipei Trade Fair, Apr. 2012.
 Abus Ugrip Cable Locks, Eurobike Trade Show, Aug. 30, 2012.

* cited by examiner

Fig. 1

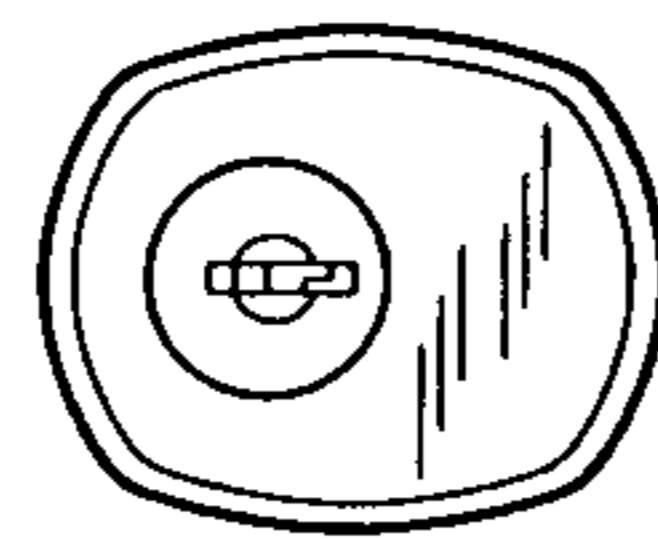


Fig. 2

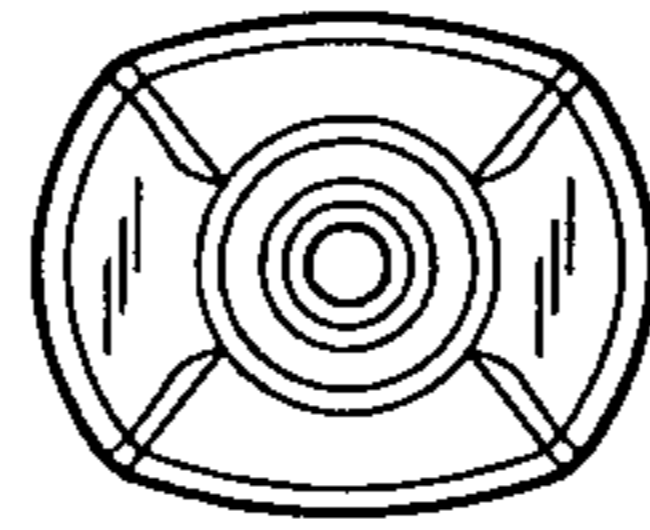


Fig. 3

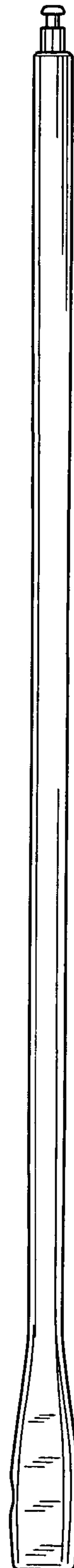


Fig. 4



Fig. 5

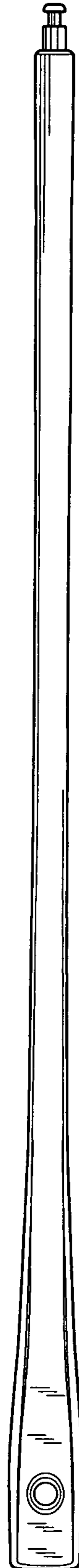


Fig. 6

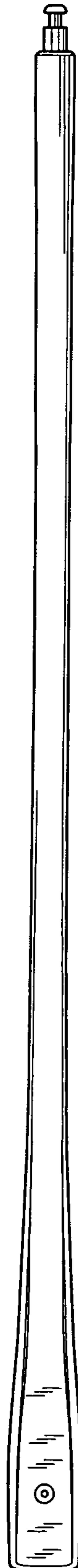


Fig. 7

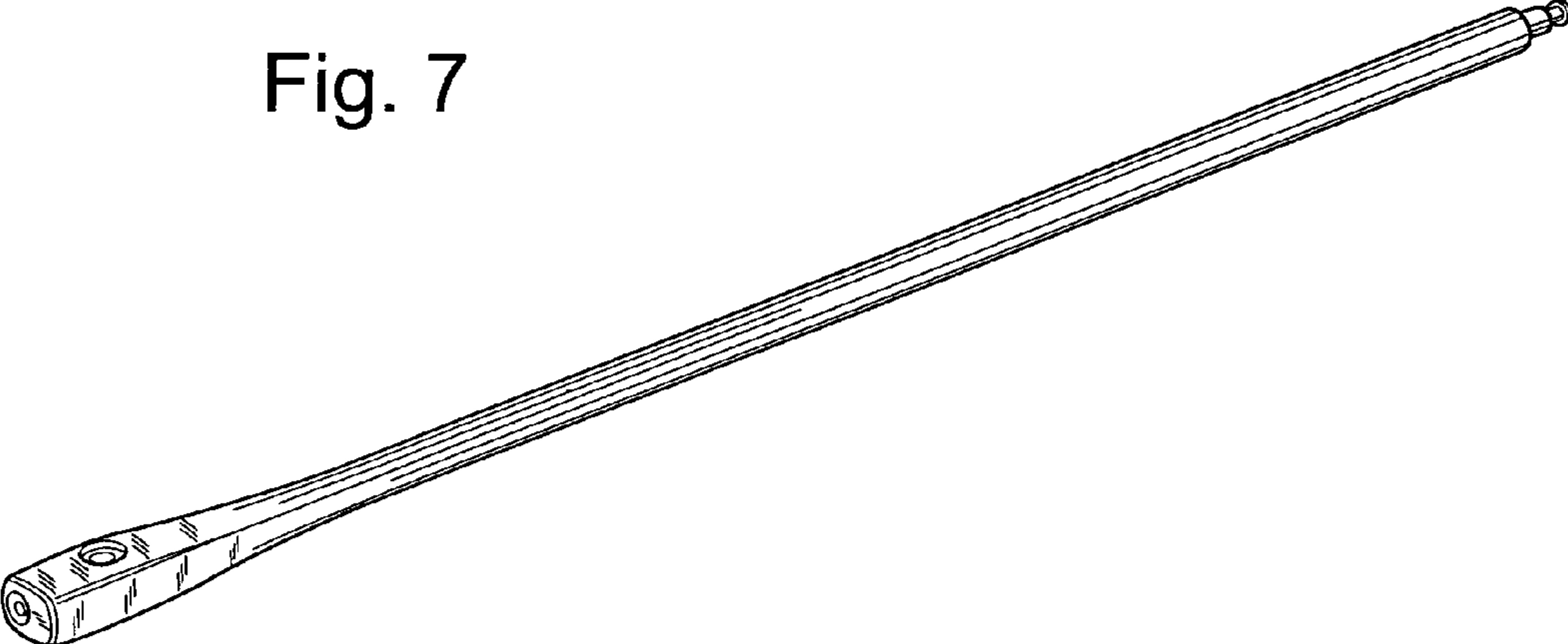
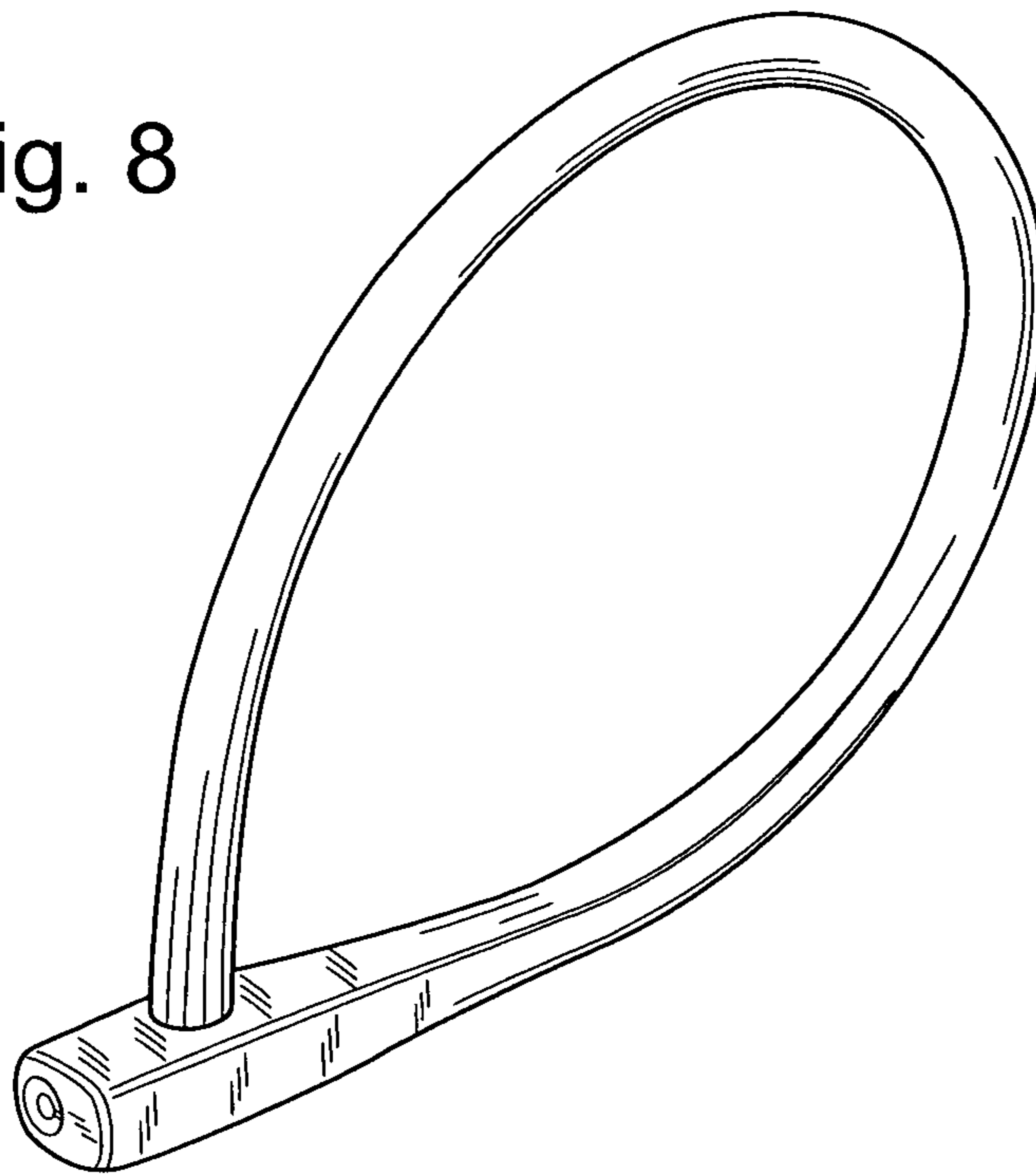


Fig. 8



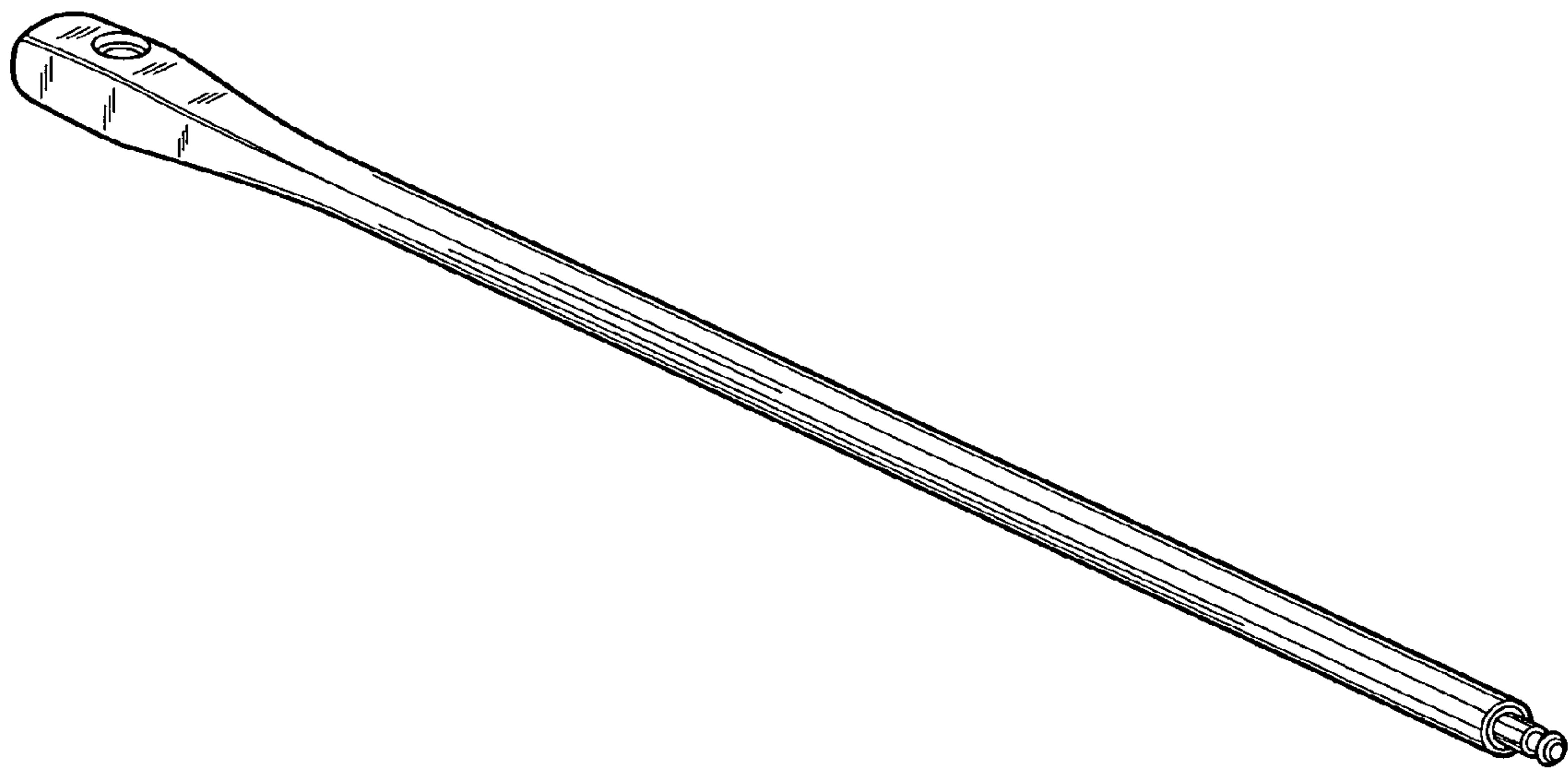


Fig. 9

Fig. 10

