

US00D694091S

(12) **United States Design Patent**  
**Gartner**

(10) **Patent No.:** **US D694,091 S**

(45) **Date of Patent:** **\*\* Nov. 26, 2013**

(54) **ELECTRONIC LOCK INPUT DIAL**

(75) **Inventor:** **Klaus W. Gartner**, Palos Verdes Estates,  
CA (US)

(73) **Assignee:** **Klaus W. Gartner**, Palos Verdes Estates,  
CA (US)

(\*\*) **Term:** **14 Years**

(21) **Appl. No.:** **29/423,359**

(22) **Filed:** **May 31, 2012**

(51) **LOC (9) Cl.** ..... **08-07**

(52) **U.S. Cl.**  
USPC ..... **D8/330; D8/343**

(58) **Field of Classification Search**  
USPC ..... D8/330, 331, 343, 345, 301; 70/14, 20,  
70/57, 58, 22, 158, 266, 277, 286, 291,  
70/294, 448, 51, 52, 416, 33 R  
See application file for complete search history.

(56) **References Cited**

**U.S. PATENT DOCUMENTS**

D272,823	S	*	2/1984	Fukunaga	.....	D14/247
D354,922	S	*	1/1995	Gartner	.....	D10/106.95
5,609,051	A	*	3/1997	Donaldson	.....	70/278.7
D388,309	S	*	12/1997	Hamilton et al.	.....	D8/330
5,887,467	A	*	3/1999	Butterweck et al.	.....	70/278.7
6,016,677	A	*	1/2000	Clark	.....	70/416
D438,447	S	*	3/2001	Gartner	.....	D8/331

D484,390	S	*	12/2003	Abernethy et al.	.....	D8/331
6,919,824	B2	*	7/2005	Lee	.....	341/20
D513,582	S	*	1/2006	Osiecki et al.	.....	D8/343
D618,081	S	*	6/2010	Moyer	.....	D8/331
D634,181	S	*	3/2011	Kang	.....	D8/331

\* cited by examiner

*Primary Examiner* — Prabhakar Deshmukh

(74) *Attorney, Agent, or Firm* — Barbara A. Wrigley;  
Oppenheimer Wolff & Donnelly LLP

(57) **CLAIM**

The ornamental design for an electronic lock input dial, as shown and described.

**DESCRIPTION**

FIG. 1 is a perspective view of an electronic lock input dial showing my new design;  
 FIG. 2 is a top plan view thereof;  
 FIG. 3 is a right side elevational view thereof;  
 FIG. 4 is a left side elevational view thereof;  
 FIG. 5 is a front elevational view thereof;  
 FIG. 6 is a rear elevational view thereof;  
 FIG. 7 is a perspective view of a second embodiment of FIG. 1;  
 FIG. 8 is a top plan view of FIG. 7 thereof; and,  
 FIG. 9 is a rear elevational view of FIG. 7 thereof.  
 The right side, left side and front elevational views of the second embodiment are identical to FIGS. 3, 4, and 5 respectively.

**1 Claim, 5 Drawing Sheets**

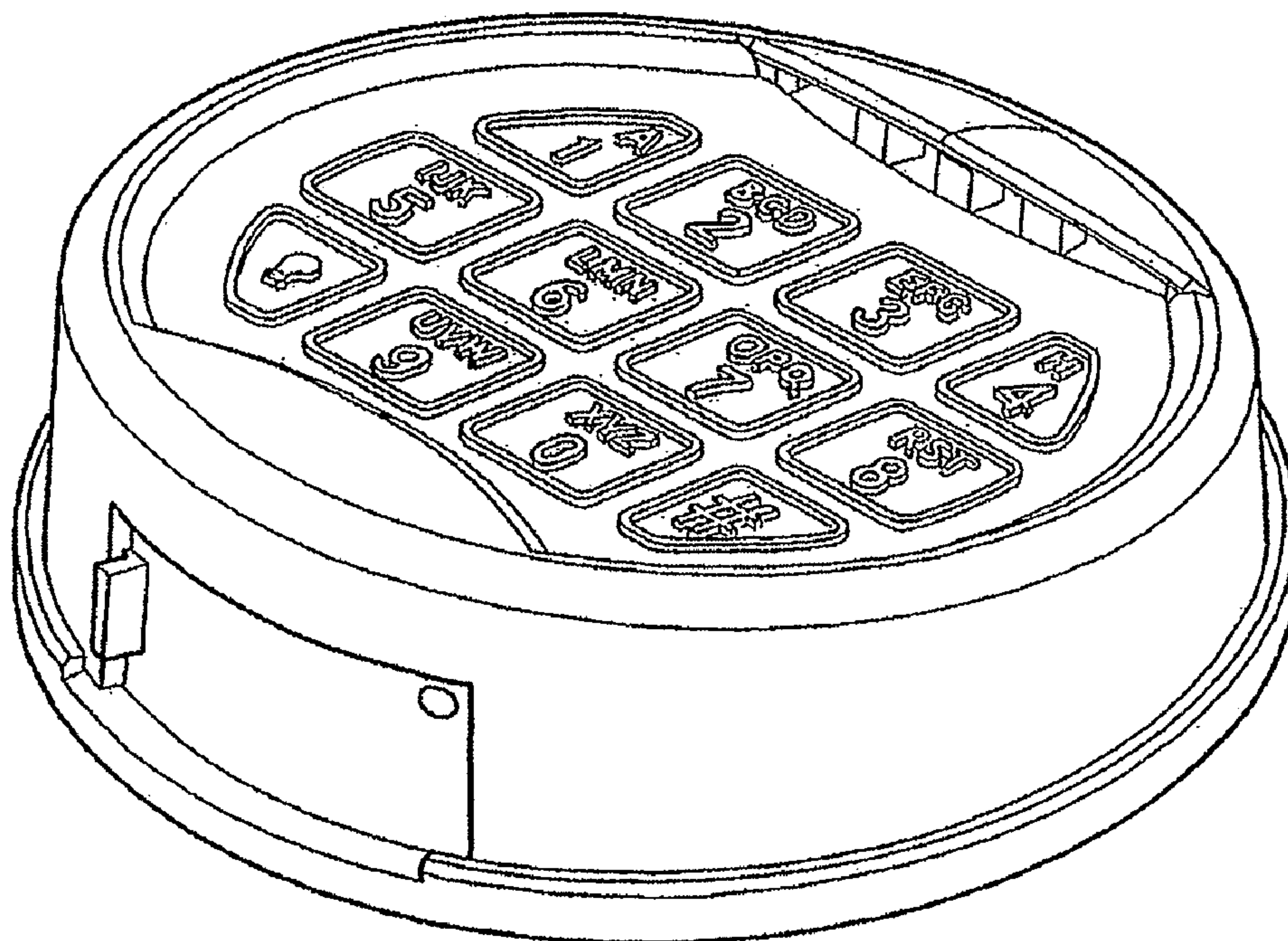


FIG. 1

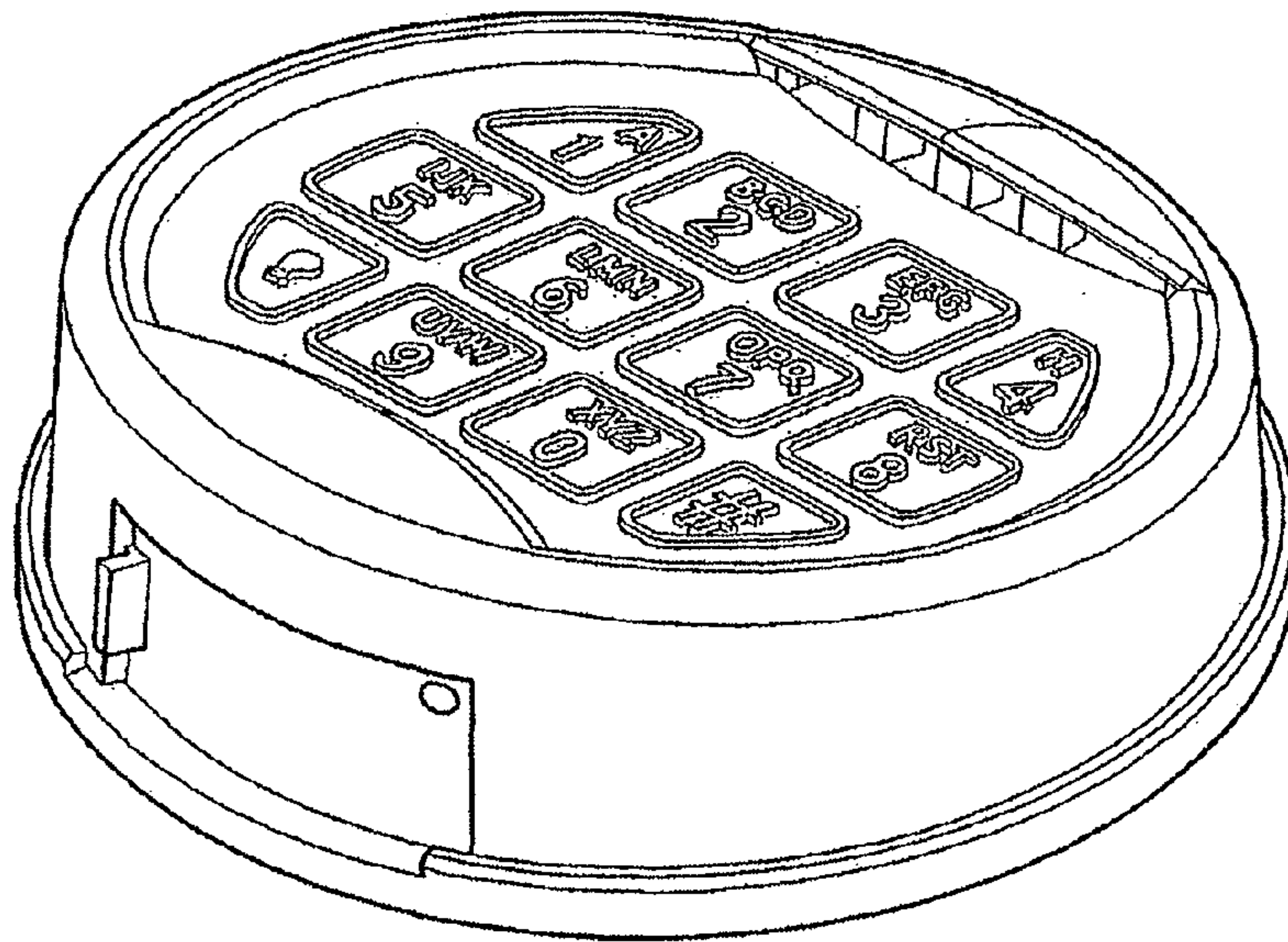


FIG. 3

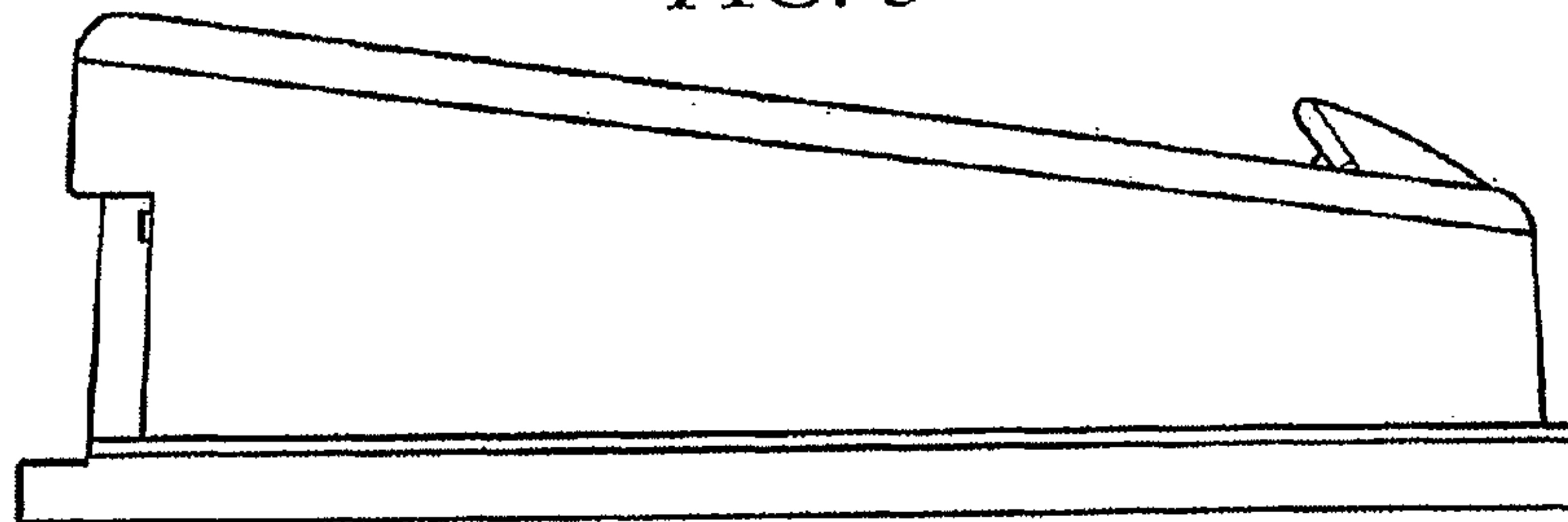


FIG. 4

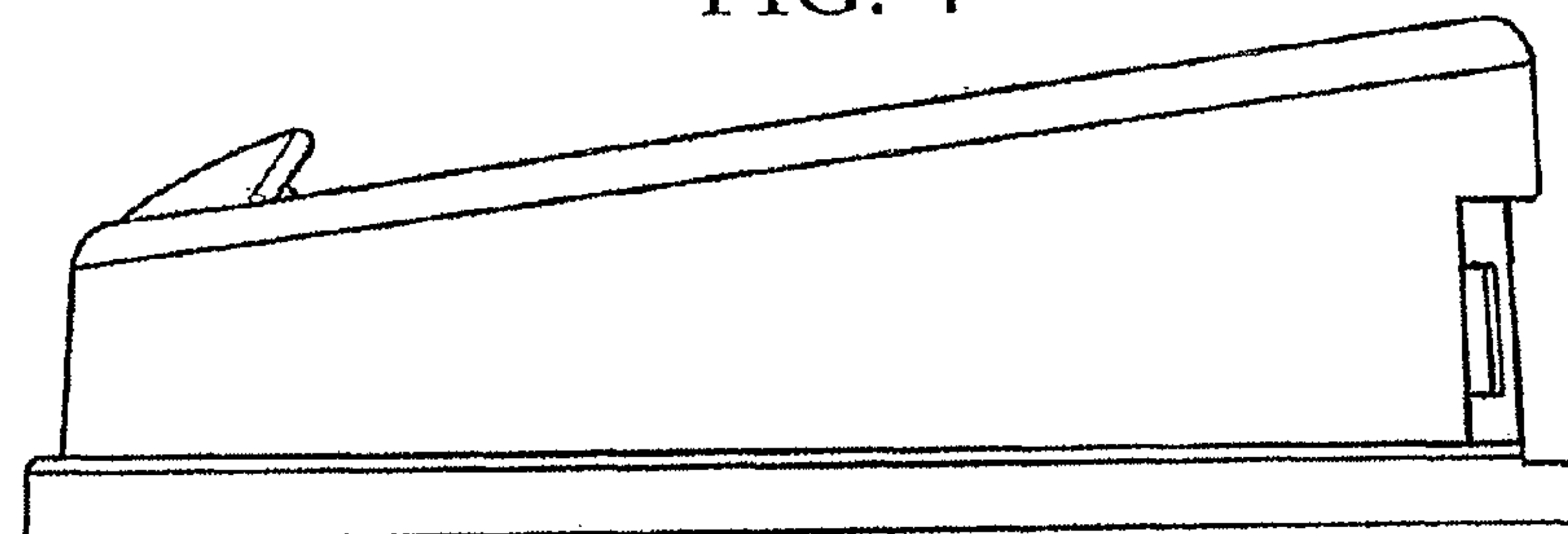


FIG. 2

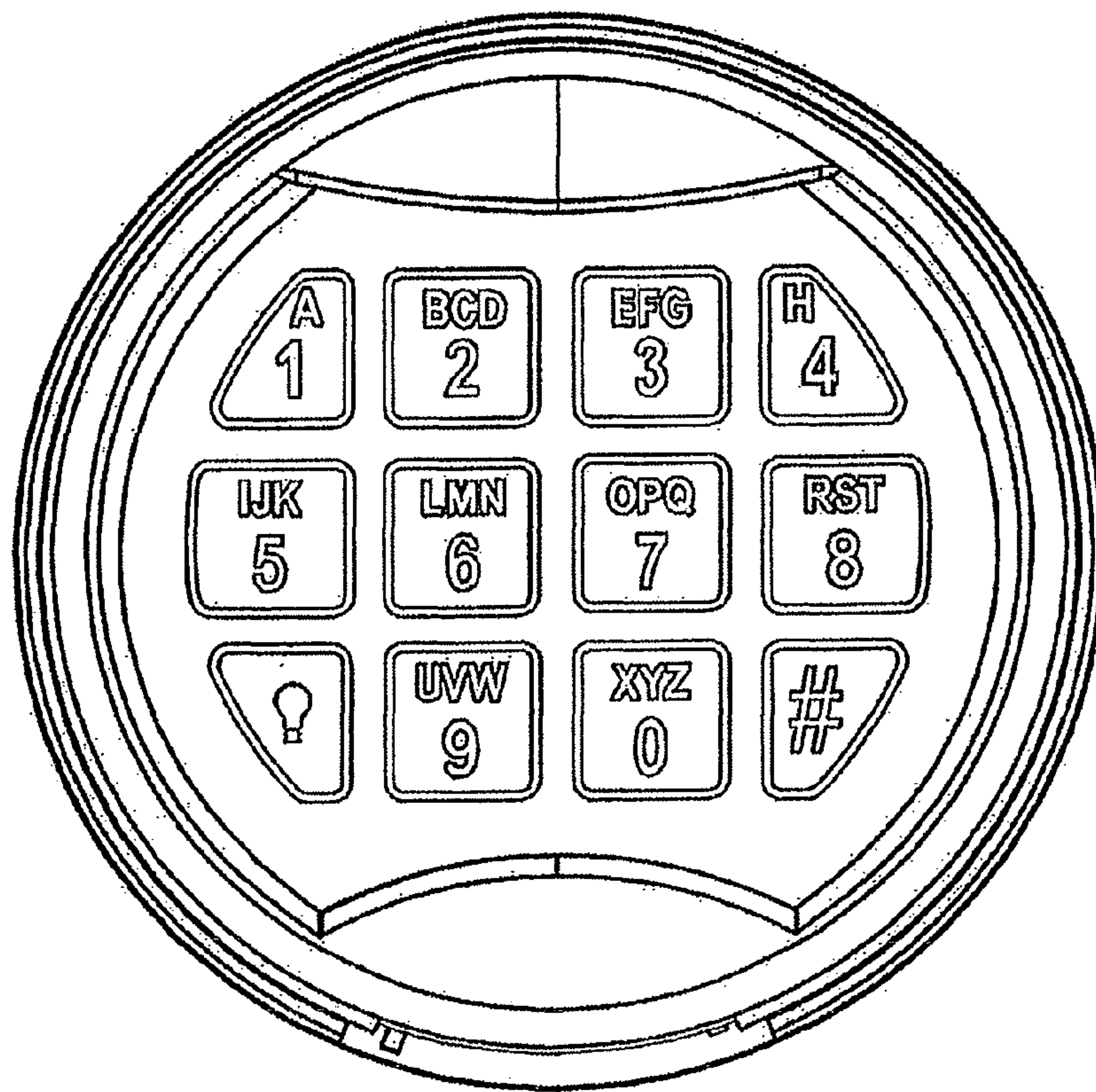




FIG. 5

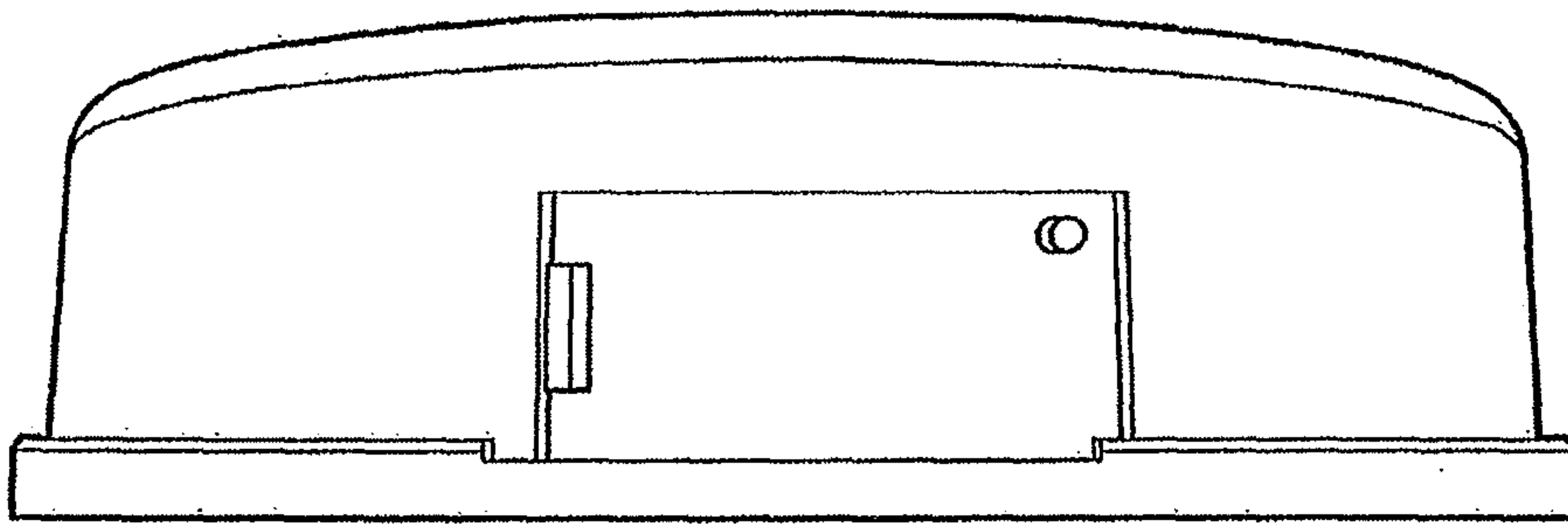


FIG. 6

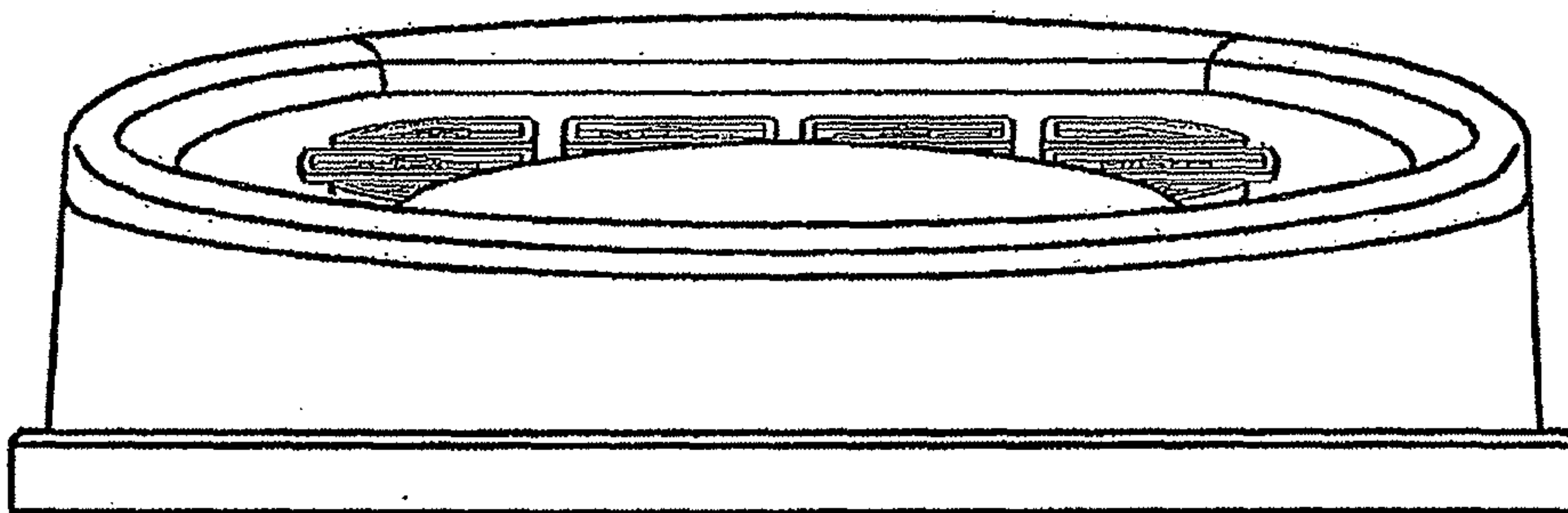


FIG. 7

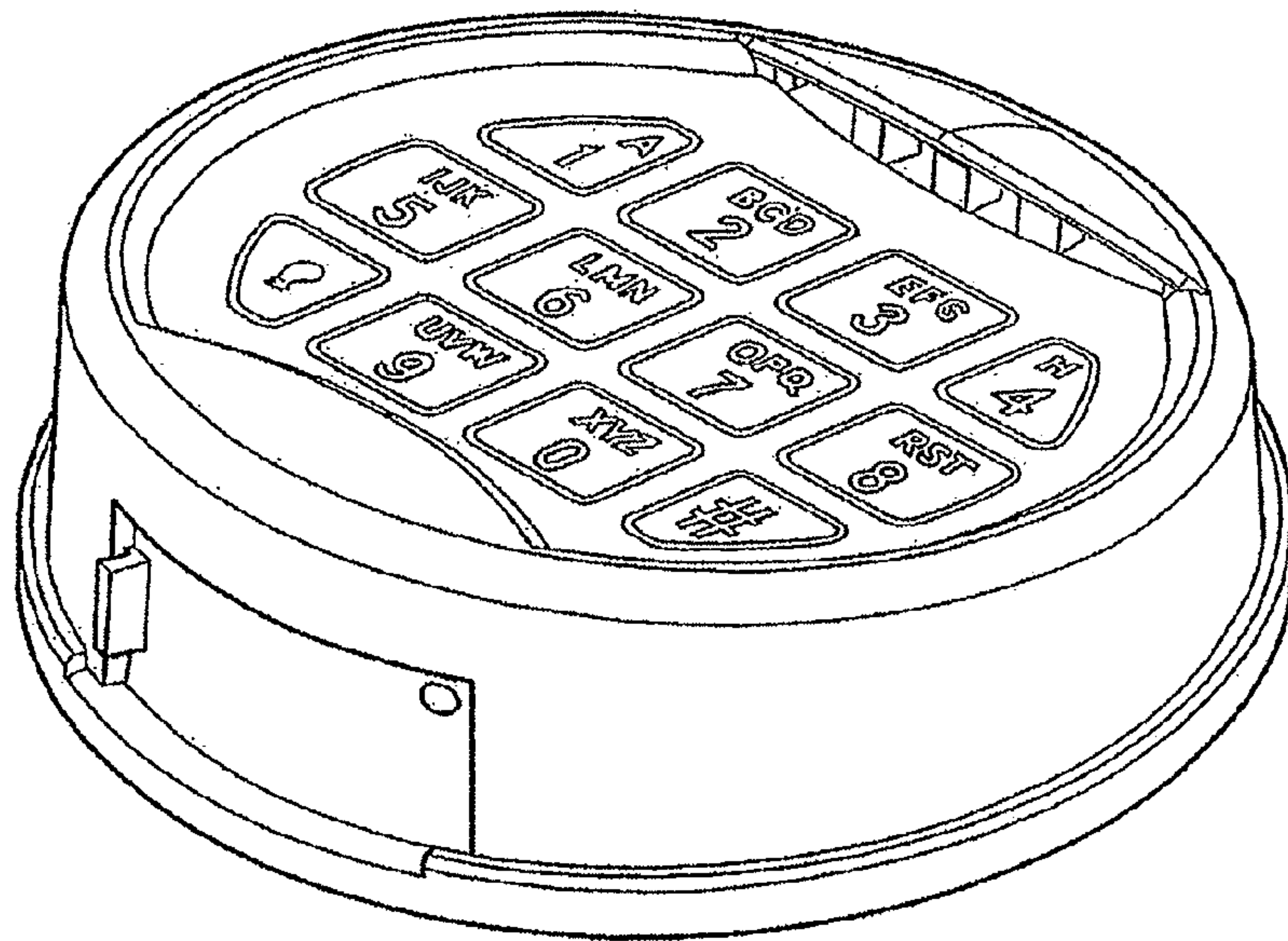


FIG. 8

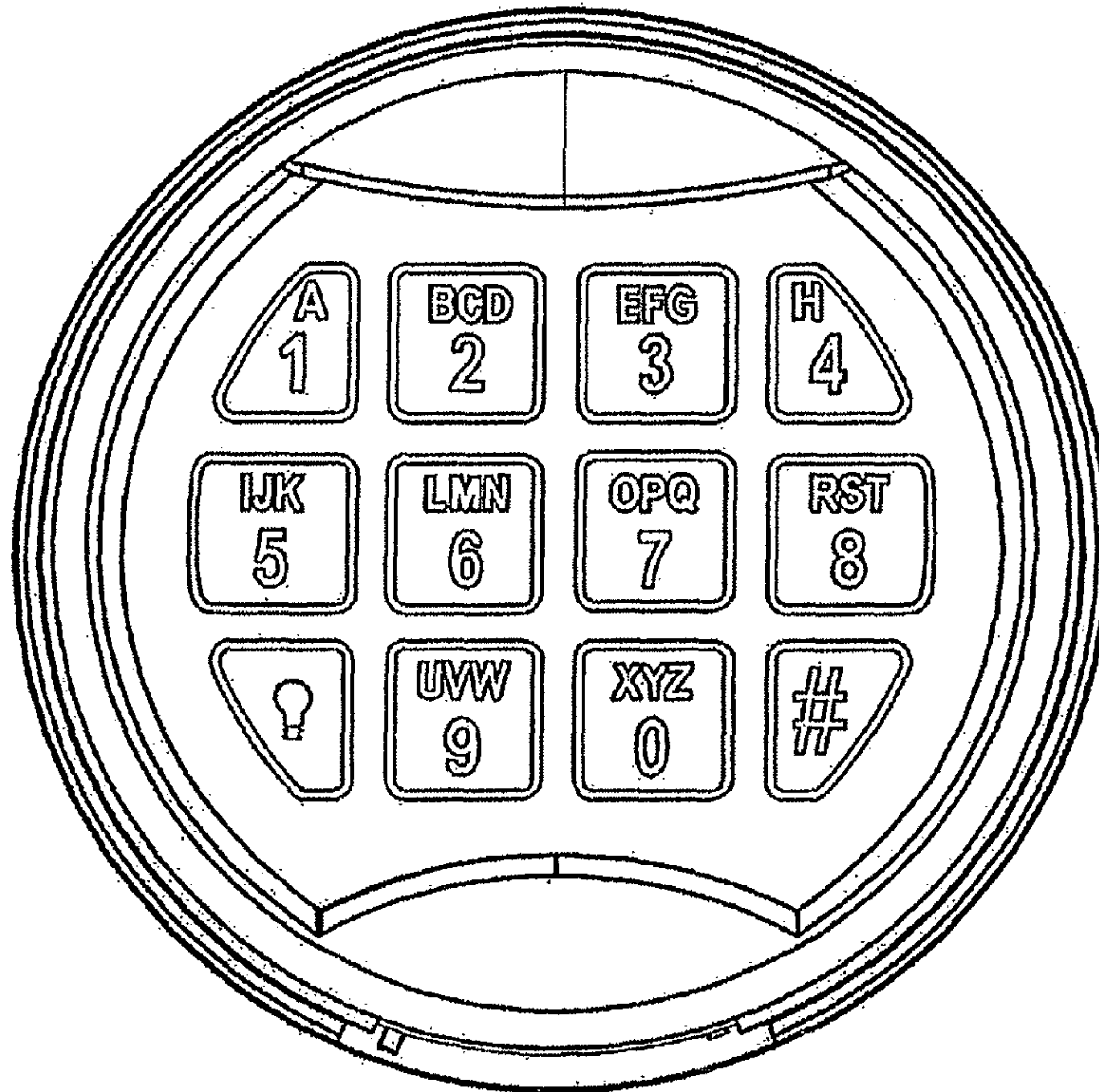


FIG. 9

