



US00D694090S

(12) **United States Design Patent**
Nave

(10) **Patent No.:** **US D694,090 S**

(45) **Date of Patent:** **** Nov. 26, 2013**

(54) **LOCK AND KEY**

(75) Inventor: **Zachery T. Nave**, Oak Creek, WI (US)

(73) Assignee: **Master Lock Company LLC**, Oak Creek, WI (US)

(**) Term: **14 Years**

(21) Appl. No.: **29/422,707**

(22) Filed: **May 23, 2012**

(51) **LOC (9) Cl.** **08-07**

(52) **U.S. Cl.**
USPC **D8/330; D8/343; D8/347**

(58) **Field of Classification Search**
USPC D8/330, 331, 334, 339, 342-344,
D8/347-349; 70/14, 20, 31, 51, 52, 57,
70/57.1, 78, 85, 156, 224, 284, 285, 291,
70/336, 431, 447, DIG. 13
See application file for complete search history.

(56) **References Cited**

U.S. PATENT DOCUMENTS

3,499,302 A 3/1970 Flora et al.
3,526,111 A * 9/1970 Jacobi 70/368

(Continued)

FOREIGN PATENT DOCUMENTS

AU 142220 11/2000
EP 000551973-0002 6/2006

(Continued)

OTHER PUBLICATIONS

Office Action from Japanese Patent Application No. 2012-28816,
dated Feb. 25, 2013.

(Continued)

Primary Examiner — Prabhakar Deshmukh

(74) *Attorney, Agent, or Firm* — Calfee, Halter & Griswold LLP

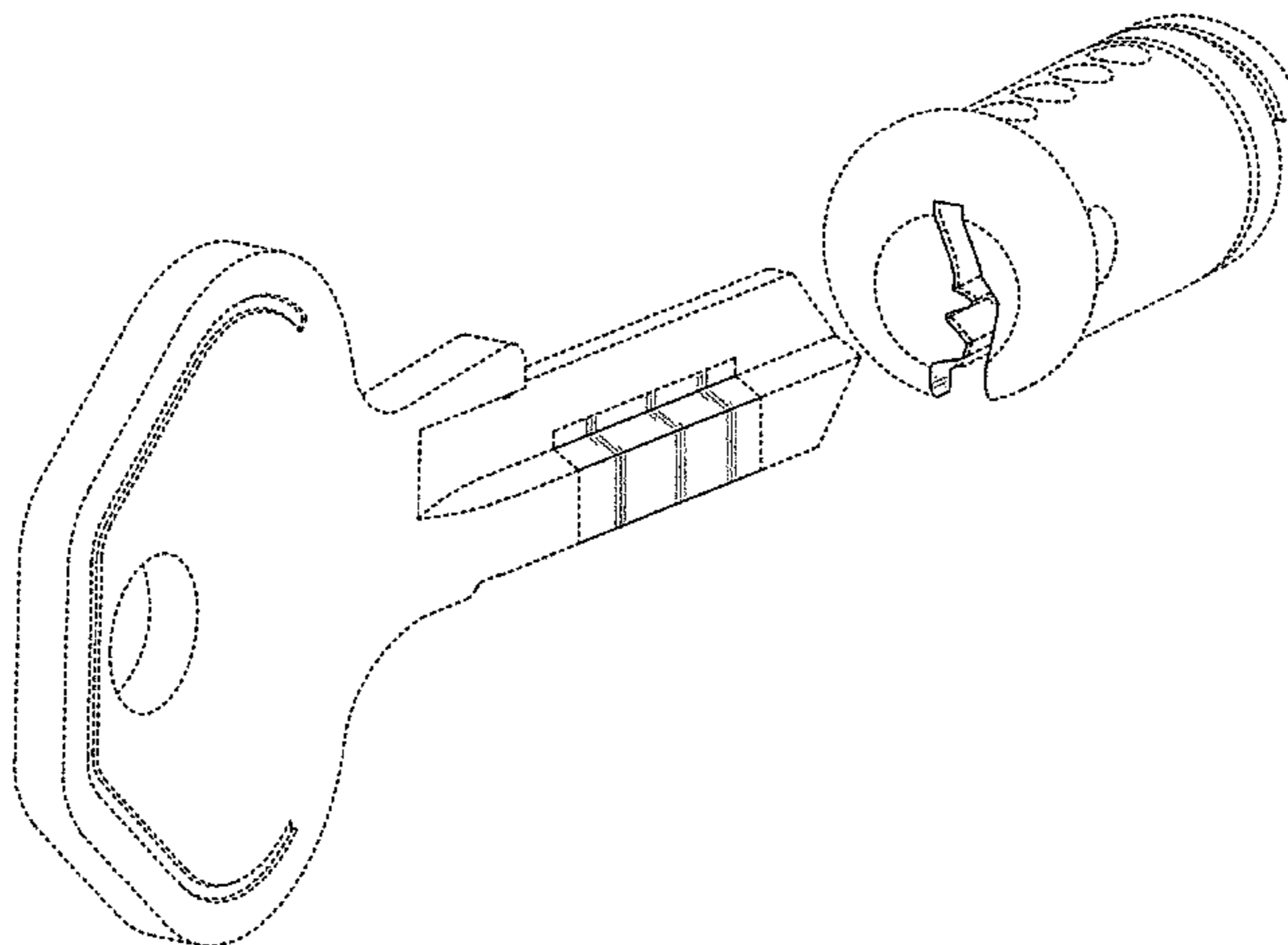
(57) **CLAIM**

I claim the ornamental design for a lock and key, as shown and described.

DESCRIPTION

FIG. 1 is a front left perspective view of a lock and key of the new design, wherein the key is shown removed from the lock; FIG. 2 is a front right perspective view of the lock and key of FIG. 1; FIG. 3 is a front elevational view of the lock and key of FIG. 1; FIG. 4 is a rear elevational view of the lock and key of FIG. 1; FIG. 5 is a right side elevational view of the lock and key of FIG. 1; FIG. 6 is a left side elevational view of the lock and key of FIG. 1; FIG. 7 is a top plan view of the lock and key of FIG. 1; FIG. 8 is a bottom plan view of the lock and key of FIG. 1; FIG. 9 is a front left perspective view of the lock and key of FIG. 1, wherein the key is shown in a different orientation relative to the lock; FIG. 10 is a front elevational view of the lock and key of FIG. 9; FIG. 11 is a rear elevational view of the lock and key of FIG. 9; FIG. 12 is a left side elevational view of the lock and key of FIG. 9; FIG. 13 is a right side elevational view of the lock and key of FIG. 9; FIG. 14 is a top plan view of the lock and key of FIG. 9; and, FIG. 15 is a bottom plan view of the lock and key of FIG. 9. The broken lines immediately adjacent the shaded areas represent the bounds of the claimed design while all other broken lines are directed to environment and are for illustrative purposes only; the broken lines form no part of the claimed design.

1 Claim, 12 Drawing Sheets



US D694,090 S

Page 2

(56)

References Cited

U.S. PATENT DOCUMENTS

3,648,492 A * 3/1972 Walters et al. 70/491
3,793,500 A * 2/1974 Gerber 200/43.08
4,012,928 A * 3/1977 Dauenbaugh 70/81
4,114,411 A 9/1978 Schlage
4,208,894 A * 6/1980 Surko, Jr. 70/494
4,608,842 A 9/1986 Tietz
4,723,427 A 2/1988 Oliver
4,964,288 A 10/1990 Braun et al.
D324,383 S 3/1992 Best et al.
D328,856 S 8/1992 Best et al.
D341,073 S * 11/1993 Omori D8/346
D350,059 S * 8/1994 Hoffman et al. D8/347
D350,061 S 8/1994 Hoffman et al.
5,337,588 A 8/1994 Chhatwal
D378,346 S 3/1997 Aston
7,040,126 B2 5/2006 Edwards, Jr.
7,043,945 B2 * 5/2006 Hollingsworth 70/16
7,207,200 B2 4/2007 Eden et al.

D559,655 S 1/2008 Meckbach
7,337,639 B2 3/2008 Edwards, Jr.
D630,084 S * 1/2011 Lin D8/347

FOREIGN PATENT DOCUMENTS

RU 54786 7/2004
RU 59053 5/2006

OTHER PUBLICATIONS

Office Action from Japanese Patent Application No. 2012-28817, dated Feb. 26, 2013.

Master Lock 2011 Commercial Price List, effective Jun. 1, 2011; 3 pages.

Master Lock Commercial Products Technical Manual, issue Jul. 2010.; pp. 15-16.

English translation of Office Action from Russian Patent Application No. 2012504030, received Jul. 16, 2013.

* cited by examiner

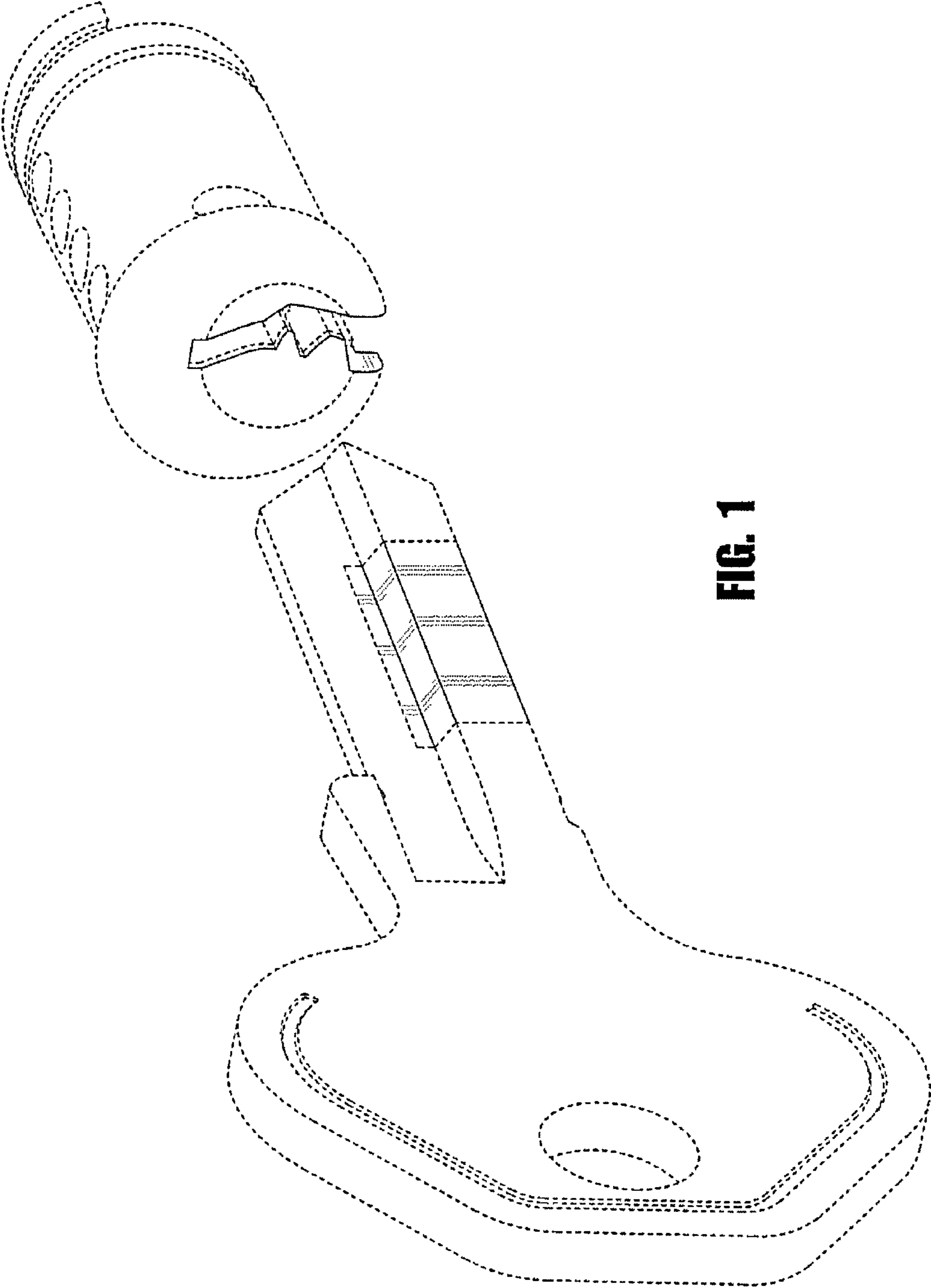


FIG. 1

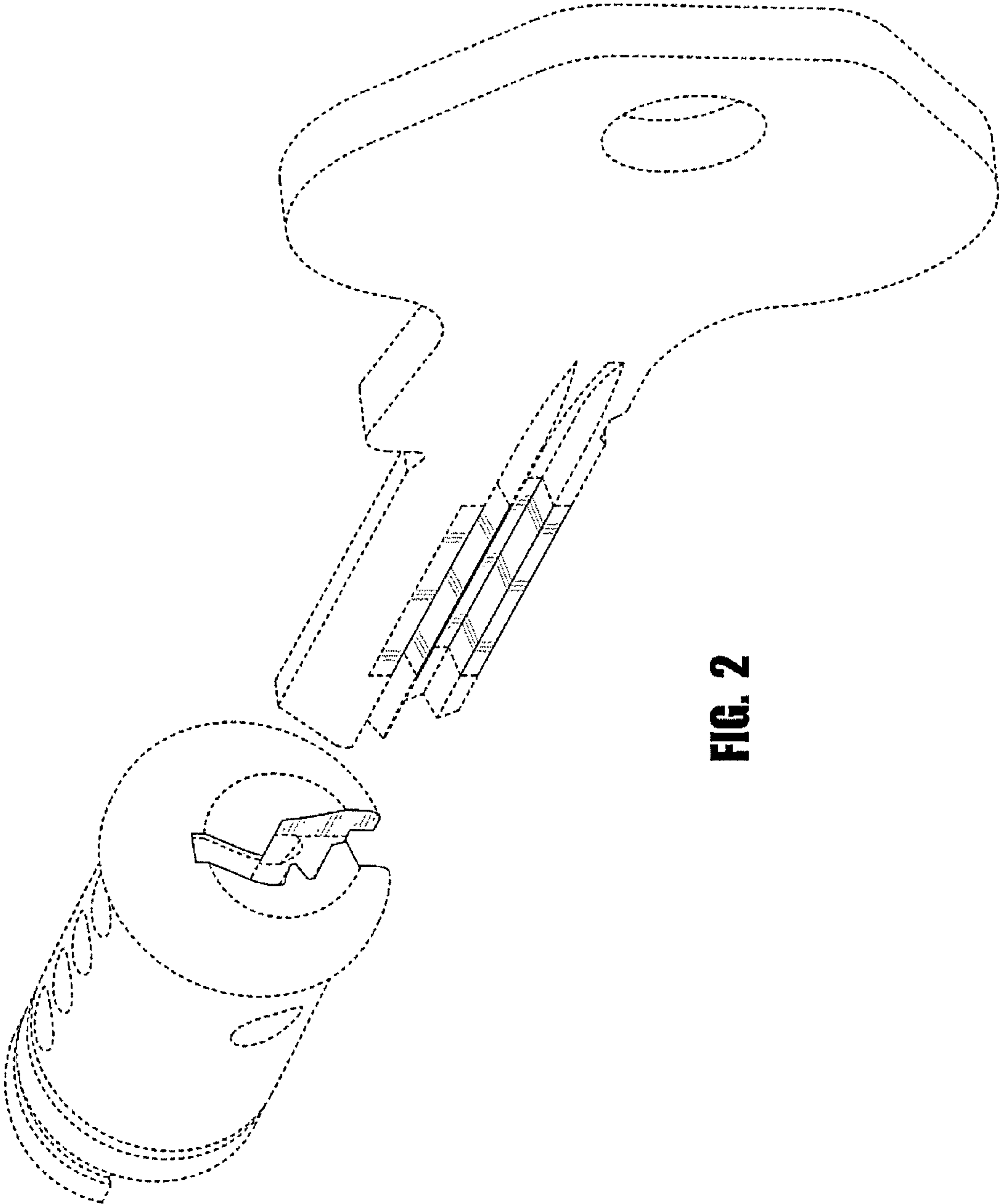


FIG. 2

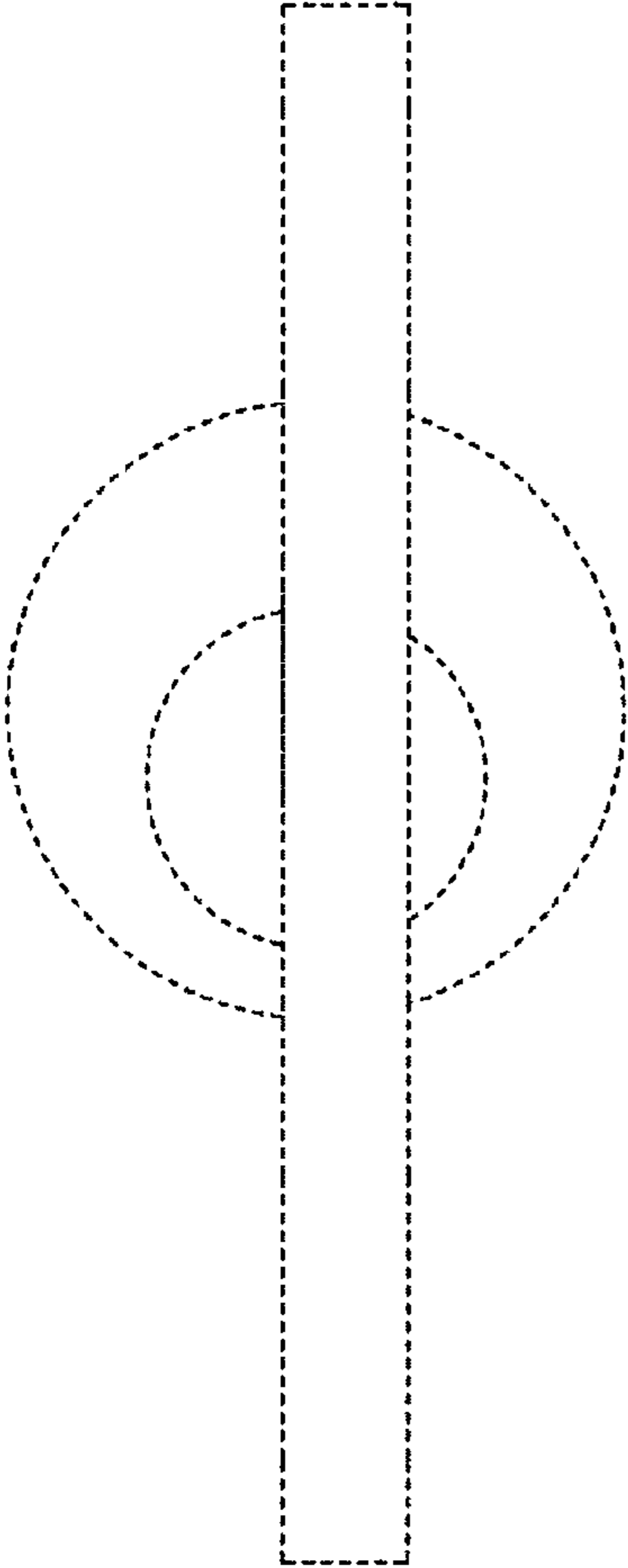


FIG. 3

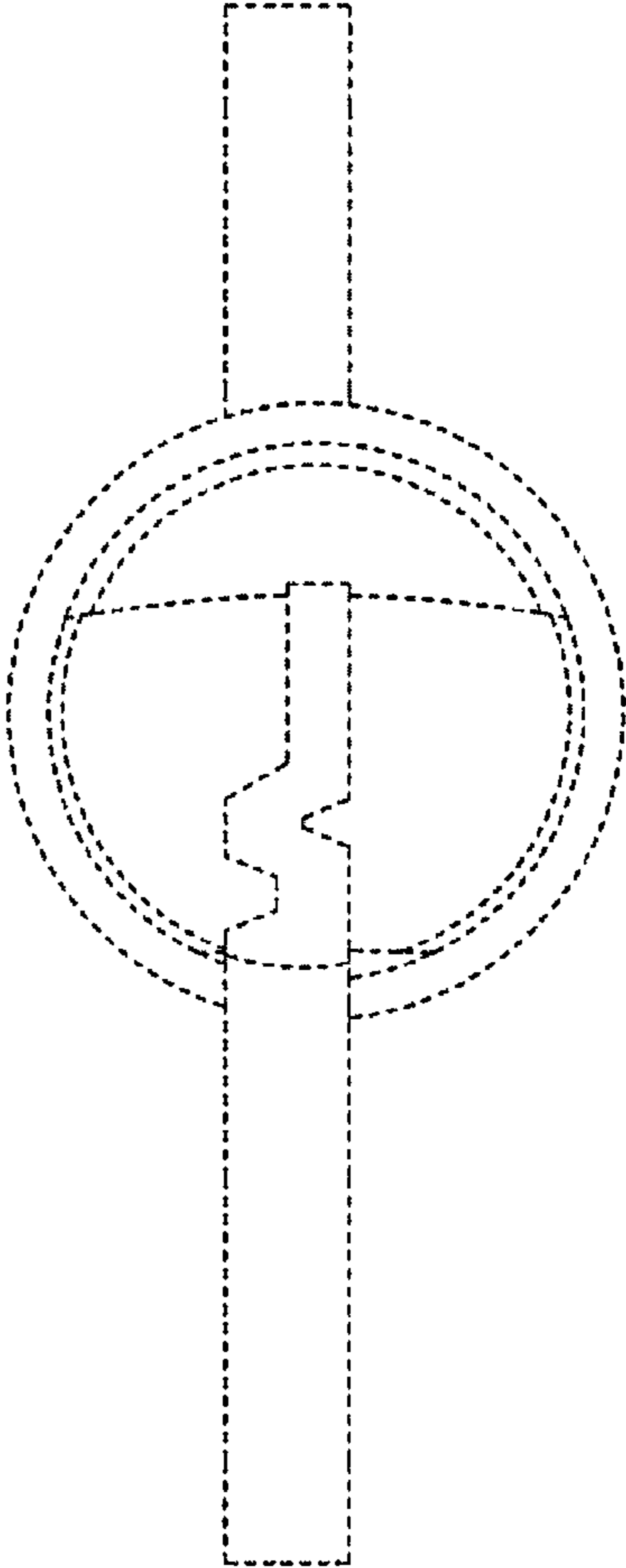


FIG. 4

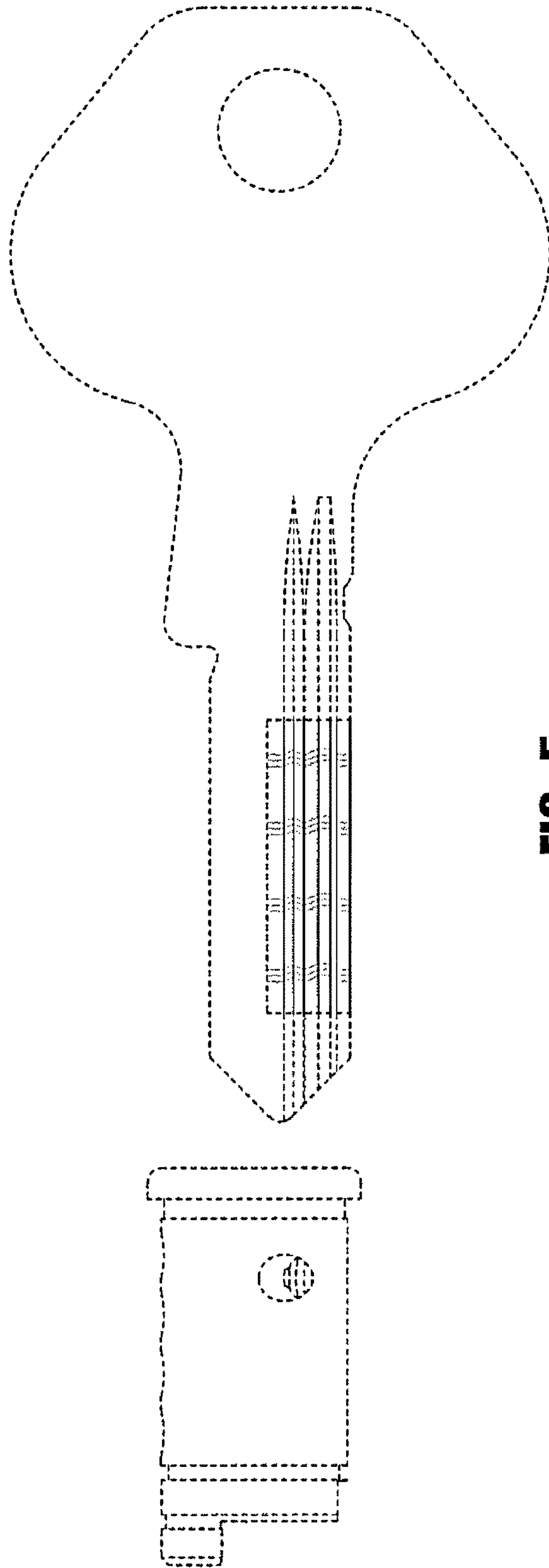


FIG. 5

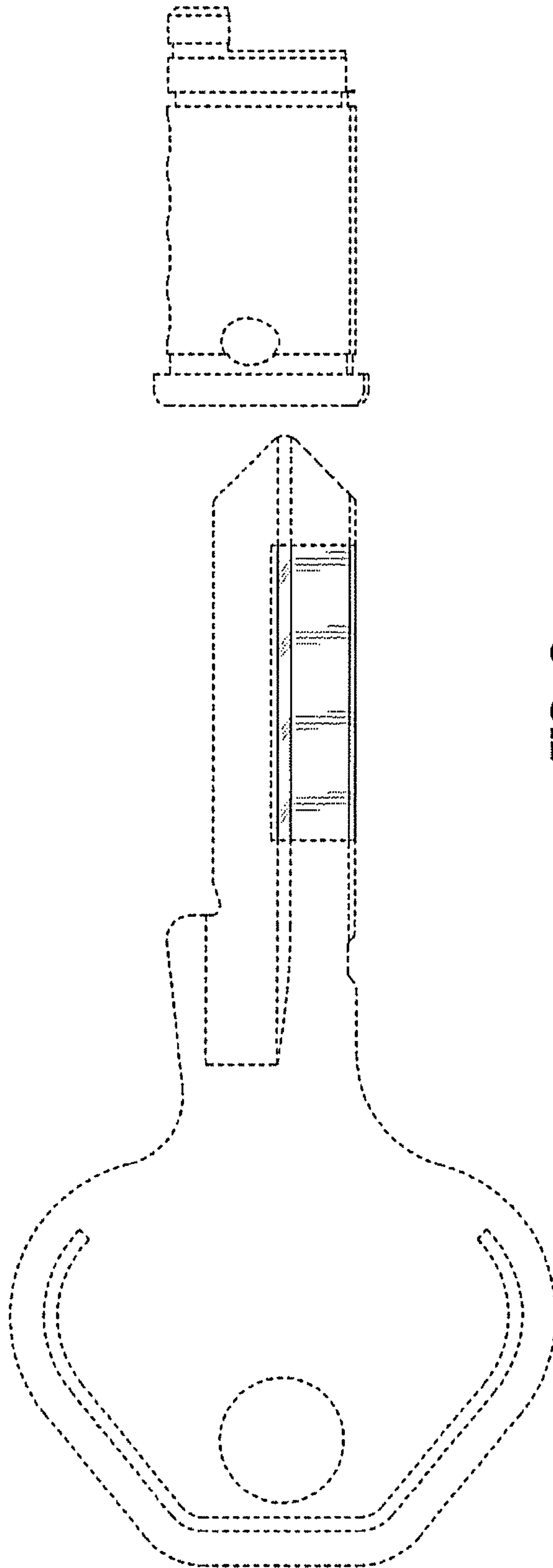


FIG. 6

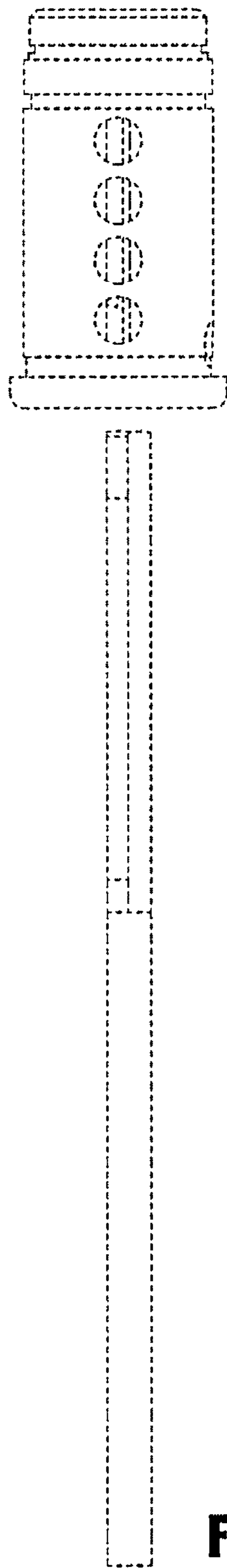


FIG. 7

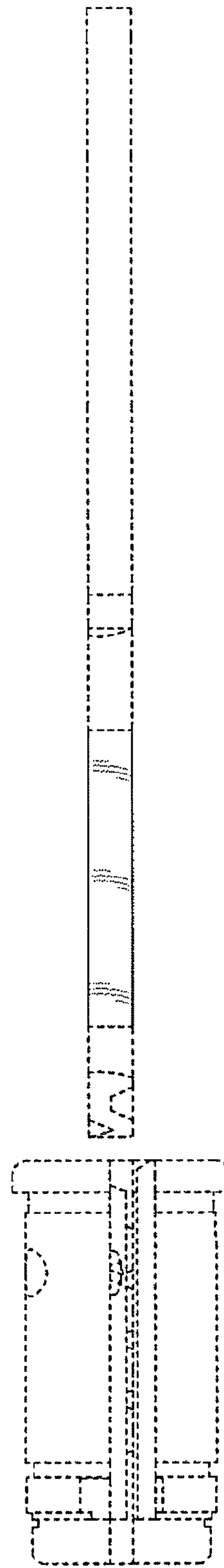


FIG. 8

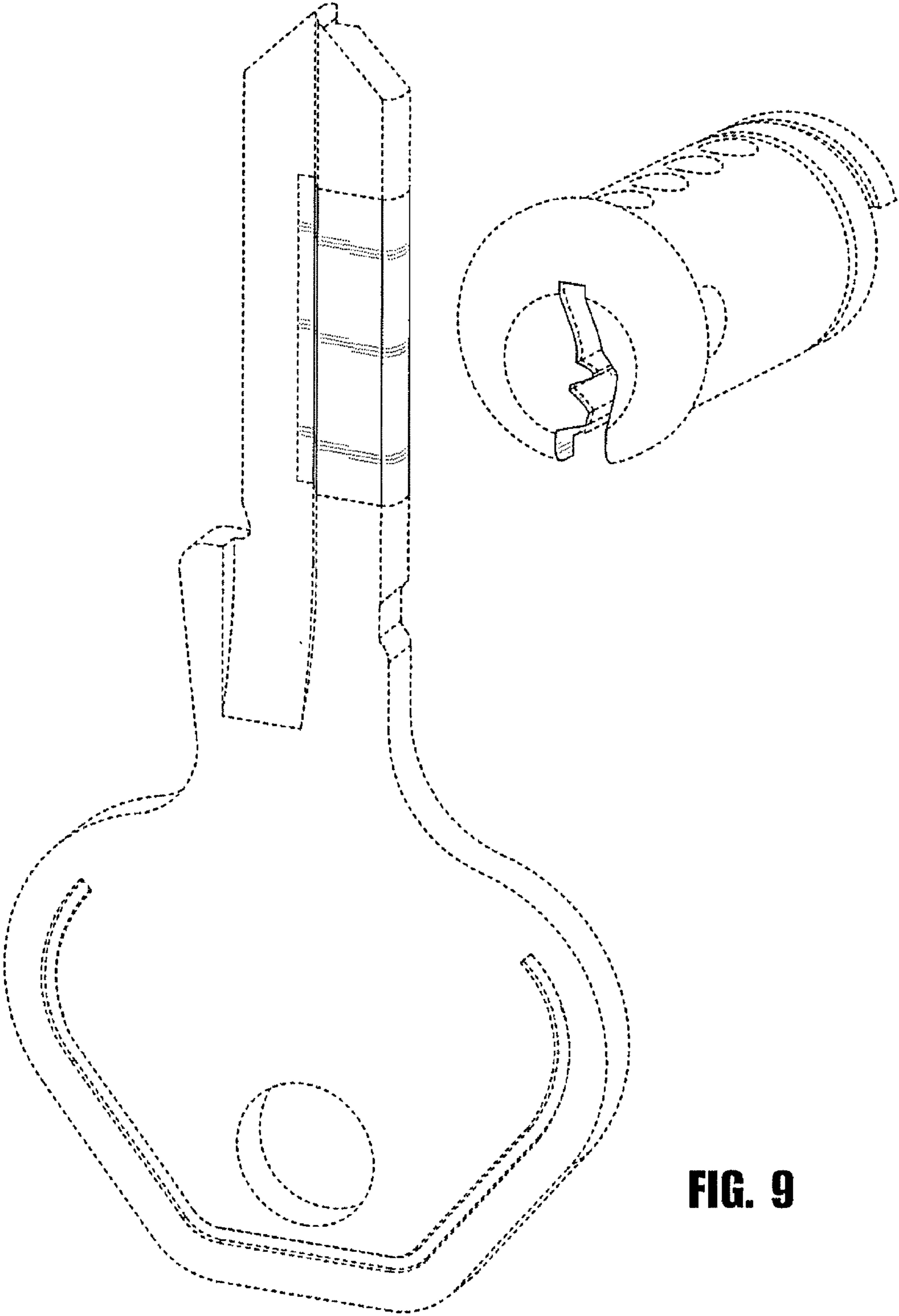


FIG. 9

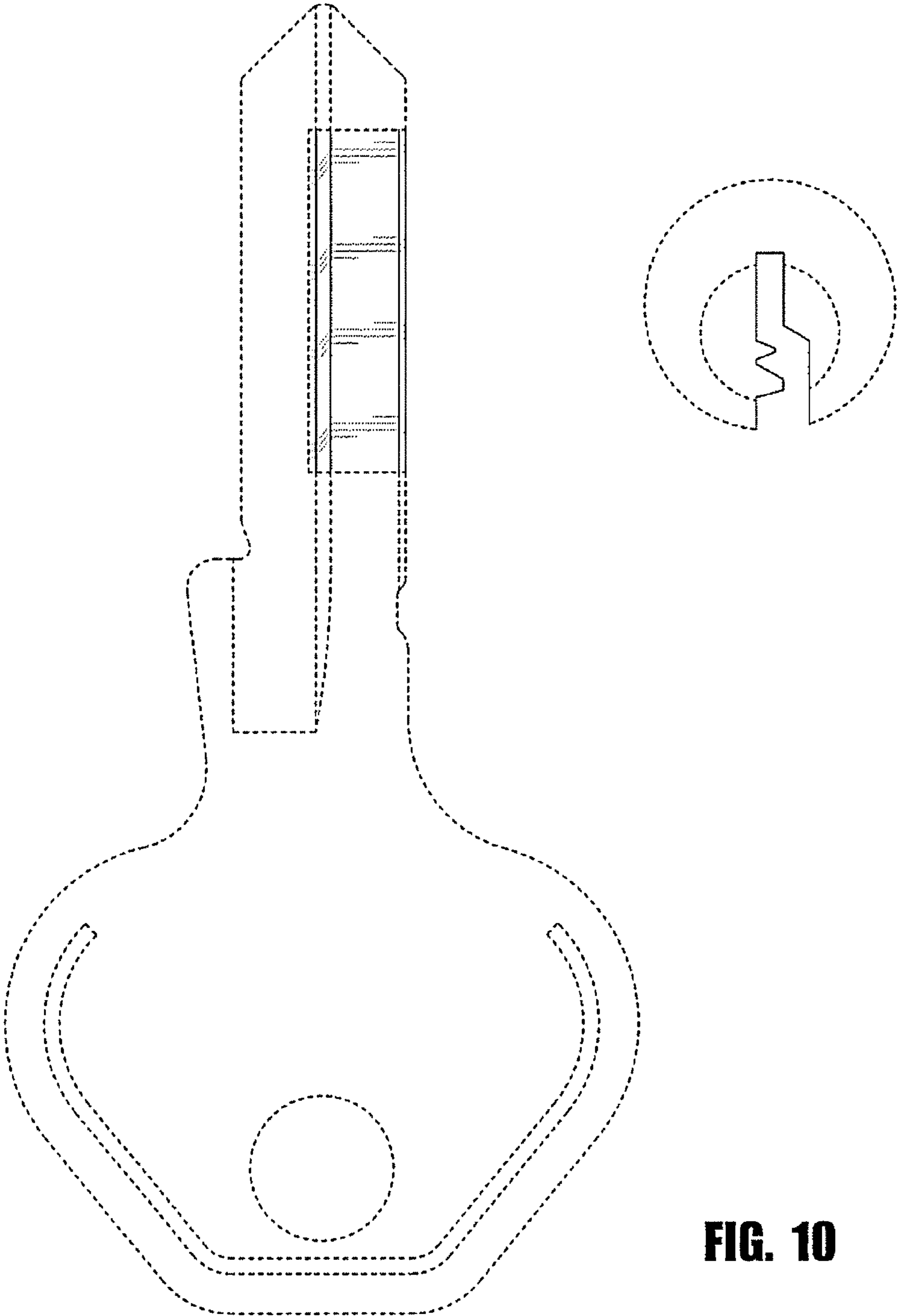


FIG. 10

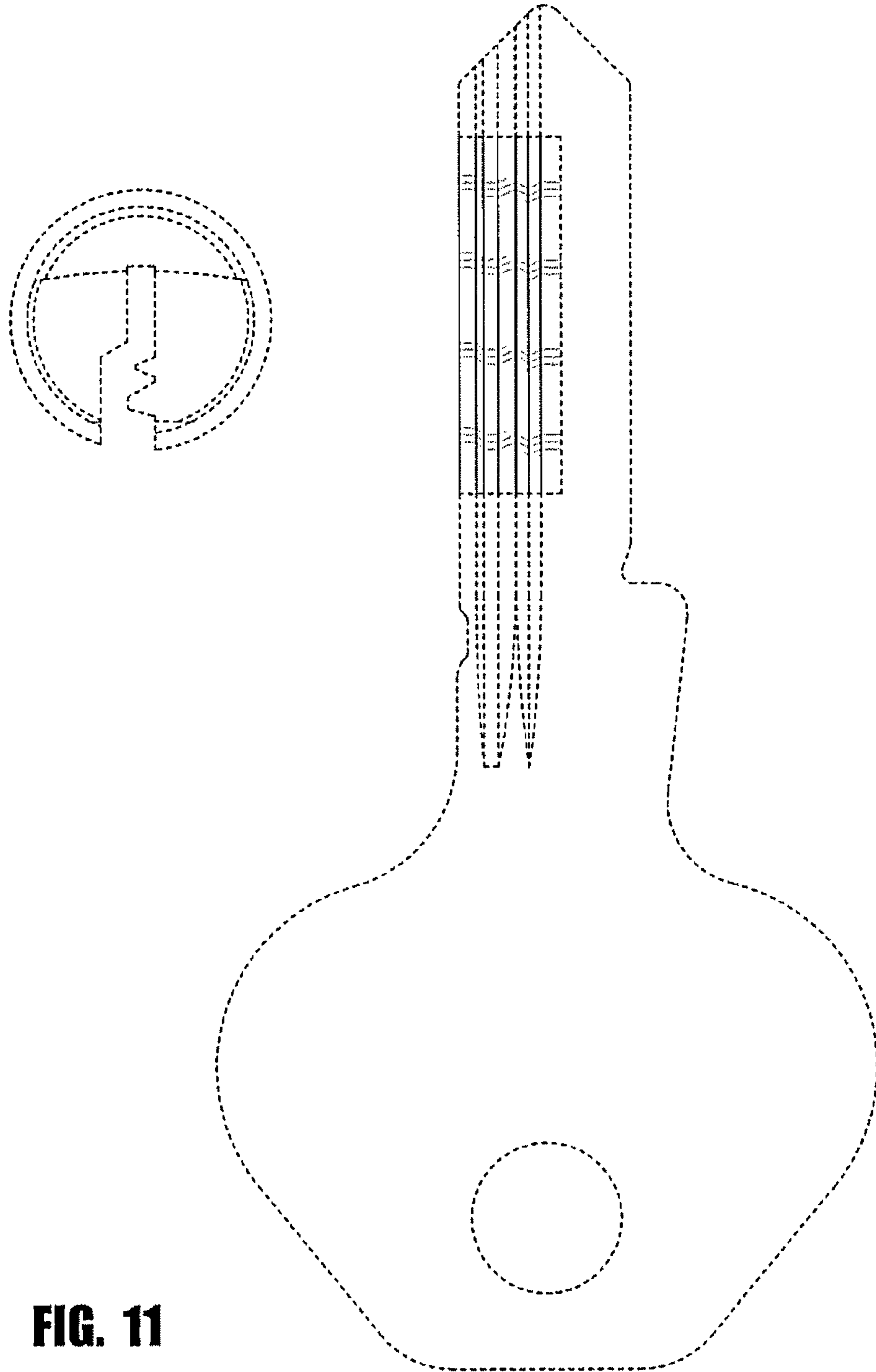


FIG. 11

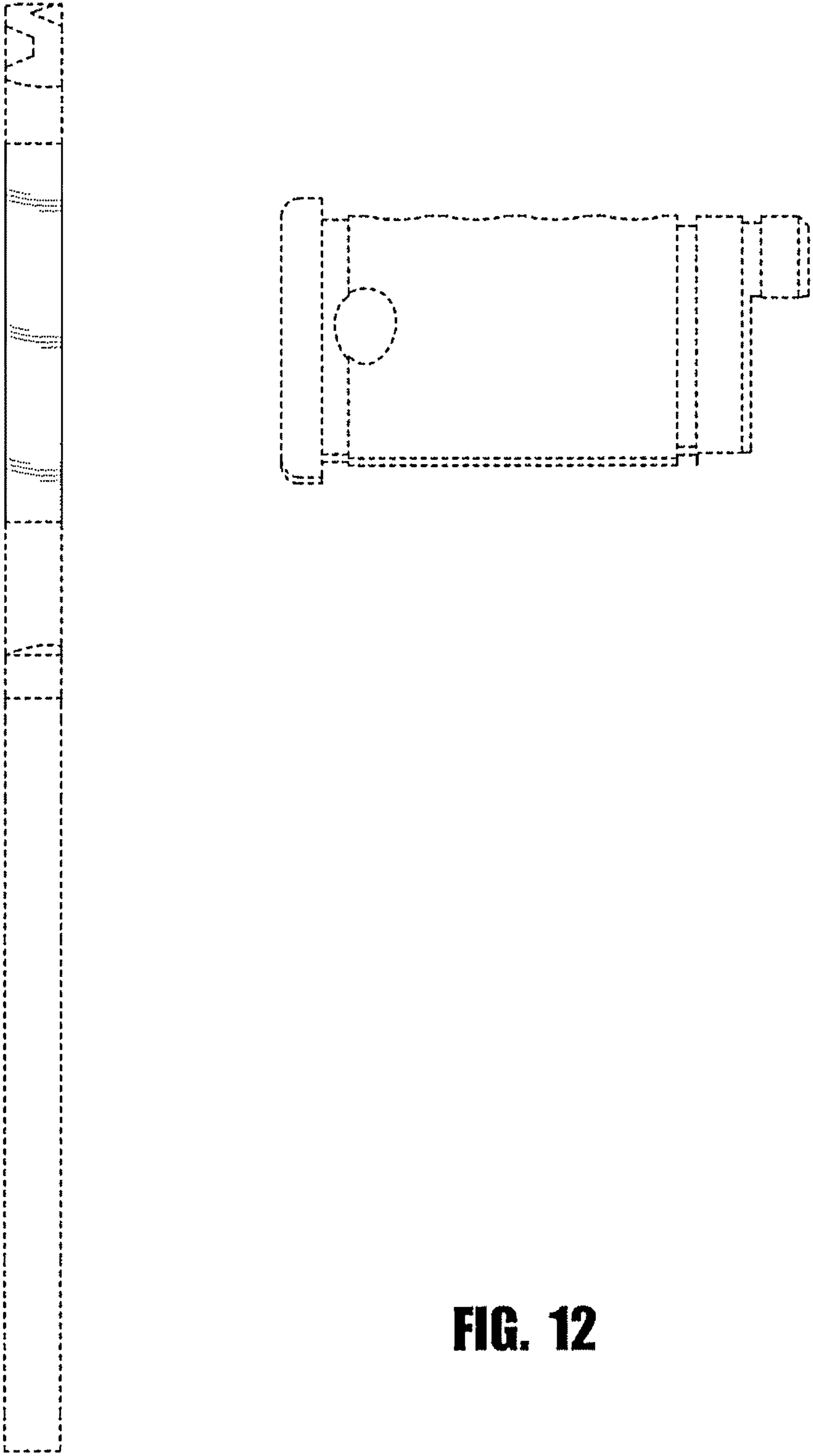


FIG. 12

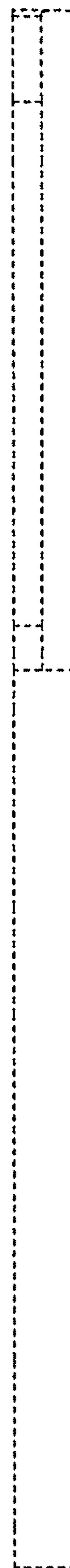
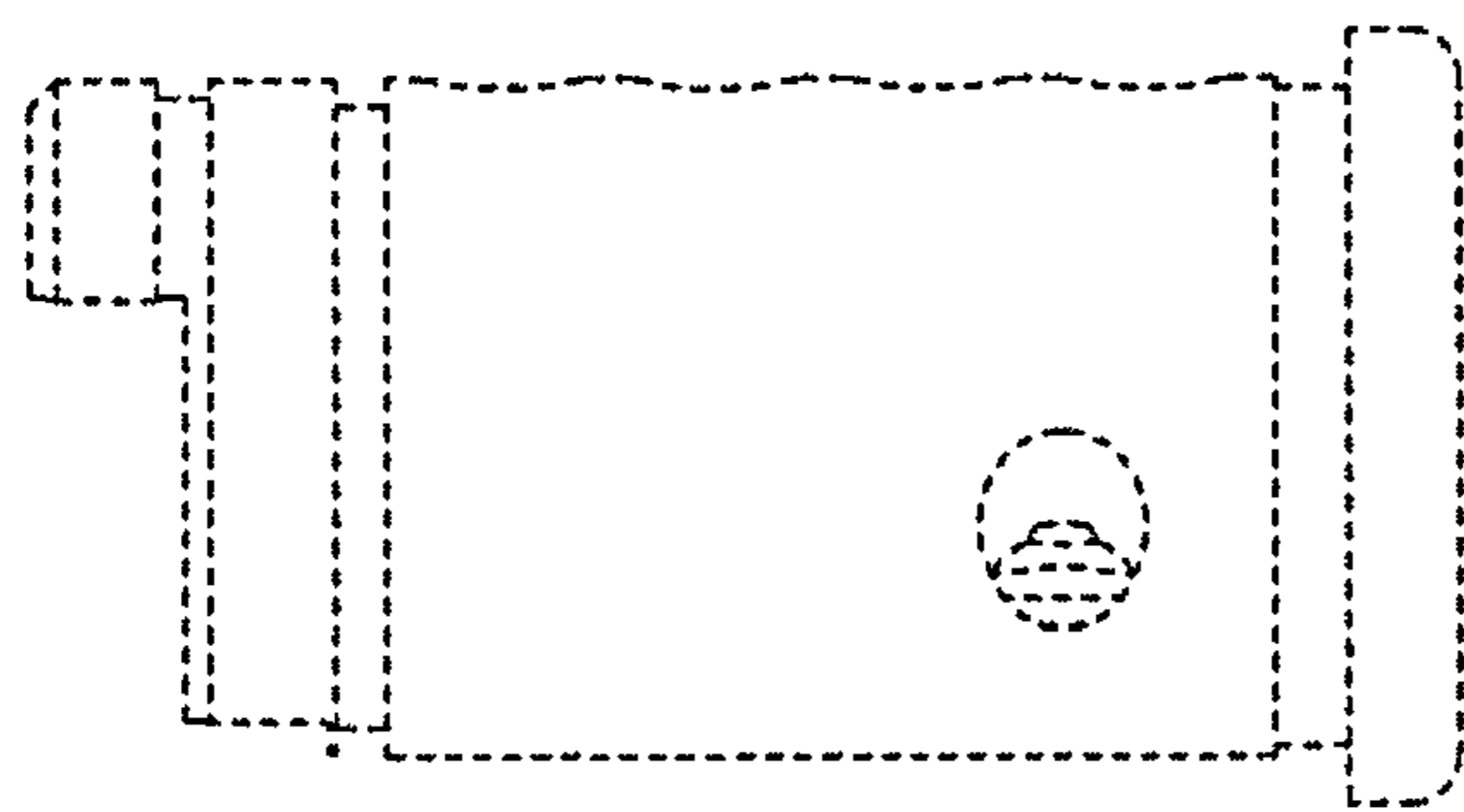


FIG. 13

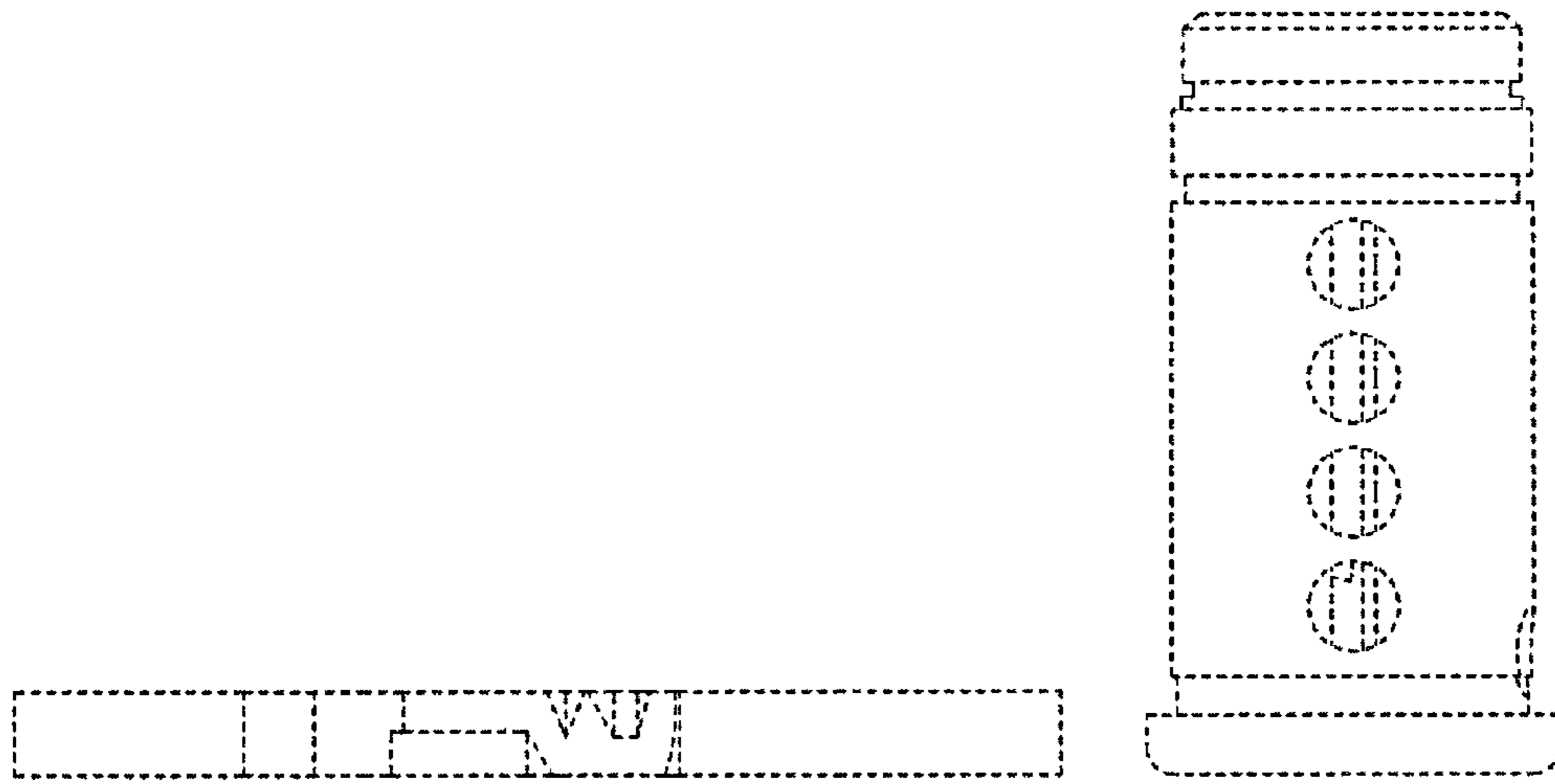


FIG. 14

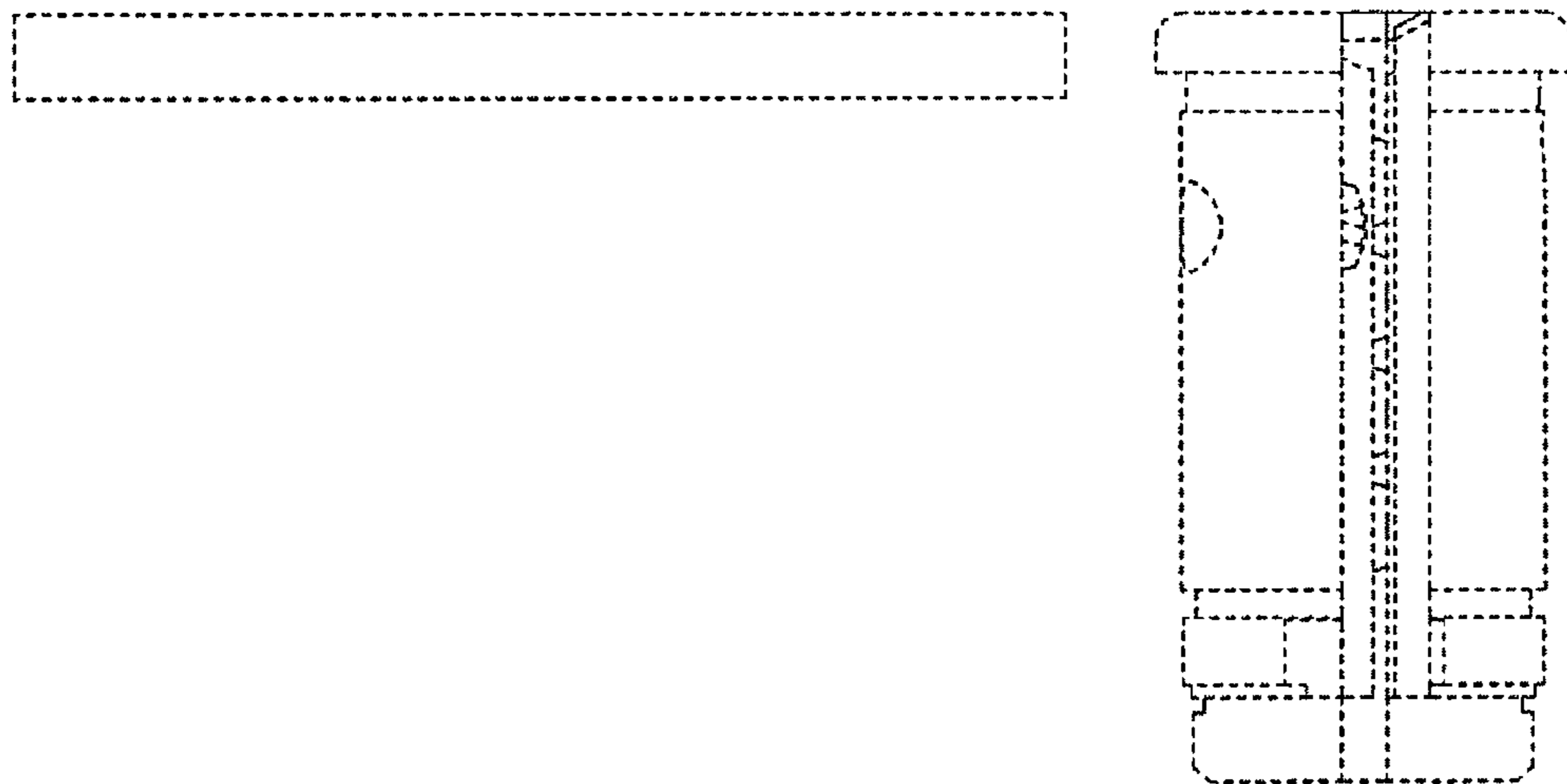


FIG. 15