



US00D694087S

(12) **United States Design Patent**  
**Burns et al.**

(10) **Patent No.:** **US D694,087 S**  
(45) **Date of Patent:** **\*\* Nov. 26, 2013**

(54) **DOOR HANDLE WITH PADDLE ACTUATOR**

(75) Inventors: **Jayden Burns**, Lime Springs, IA (US);  
**David L. Root**, Tripoli, IA (US);  
**Alexander C. Everett**, Charles City, IA  
(US); **Jennifer L. Bearman**, New  
Hampton, IA (US)

(73) Assignee: **Trimark Corporation**, New Hampton,  
IA (US)

(\*\*) Term: **14 Years**

(21) Appl. No.: **29/427,117**

(22) Filed: **Jul. 13, 2012**

(51) **LOC (9) Cl.** ..... **08-06**

(52) **U.S. Cl.**  
USPC ..... **D8/302**

(58) **Field of Classification Search**  
USPC ..... D8/302, 301, 300, 308, 331, 338;  
70/208; 292/216, DIG. 31, 336.3;  
16/110.1, 412  
See application file for complete search history.

(56) **References Cited**

U.S. PATENT DOCUMENTS

2,987,908	A *	6/1961	Pelcin	70/483
3,743,336	A *	7/1973	Andrews	292/173
4,438,964	A *	3/1984	Peters	292/216
D303,618	S *	9/1989	Russell et al.	D8/306
D339,050	S	9/1993	Gleason et al.	
5,299,844	A *	4/1994	Gleason	292/240
D346,731	S	5/1994	Larsen et al.	
D369,084	S	4/1996	McConnell et al.	
D369,089	S	4/1996	Zenner	
D371,500	S	7/1996	McConnell et al.	
D373,298	S	9/1996	Miehe et al.	
D383,664	S *	9/1997	Bennett	D8/331
D390,086	S *	2/1998	Weinerman et al.	D8/306

5,983,682	A *	11/1999	Parikh	70/208
D419,421	S	1/2000	Larsen et al.	
D459,969	S	7/2002	Larsen et al.	
D460,680	S *	7/2002	Weinerman et al.	D8/353
6,543,821	B1 *	4/2003	Weinerman et al.	292/123
6,708,537	B1 *	3/2004	Eschweiler et al.	70/208
D496,576	S	9/2004	Pickar et al.	
D498,405	S	11/2004	Weinerman et al.	
D501,393	S	2/2005	Hansen	
D502,380	S	3/2005	Misner et al.	
D502,642	S	3/2005	Misner et al.	
D504,803	S	5/2005	Misner et al.	
D519,823	S	5/2006	Pickar et al.	
D537,701	S	3/2007	Houdek et al.	
D567,061	S	4/2008	Paige et al.	
D628,041	S *	11/2010	Tieu et al.	D8/302
D656,383	S *	3/2012	Matre	D8/331
8,146,394	B2 *	4/2012	Krueger	70/279.1
2010/0300162	A1 *	12/2010	Cappuccio et al.	70/257

\* cited by examiner

*Primary Examiner* — Paula Greene

(74) *Attorney, Agent, or Firm* — McKee, Voorhees & Sease, P.L.C.

(57) **CLAIM**

We claim the ornamental design for a door handle with paddle actuator, substantially as shown and described.

**DESCRIPTION**

FIG. 1 is a perspective view of the door handle having a paddle actuator according to the present invention.

FIG. 2 is a top plan view of the door handle of the present invention.

FIG. 3 is a side elevational view thereof;

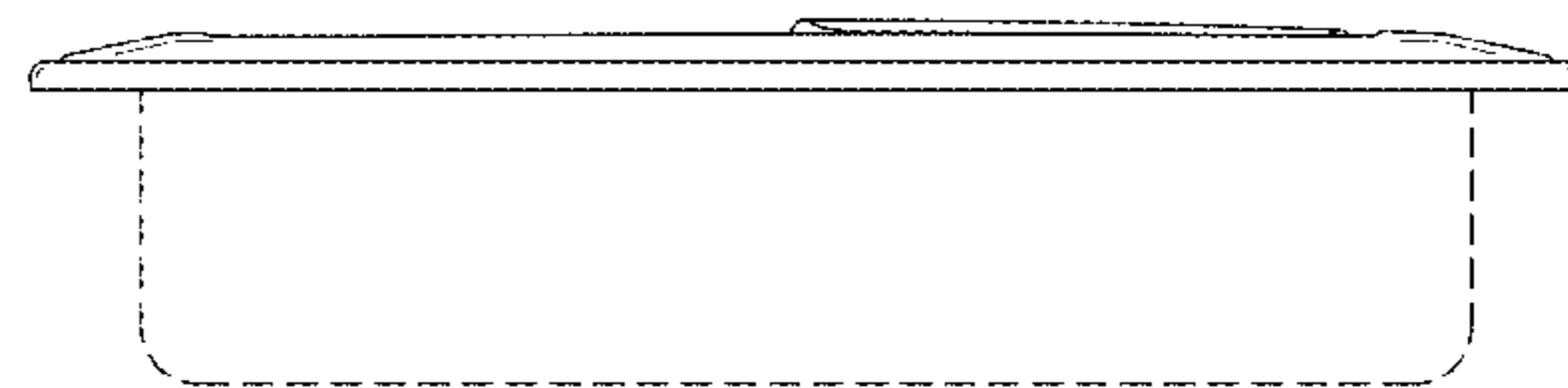
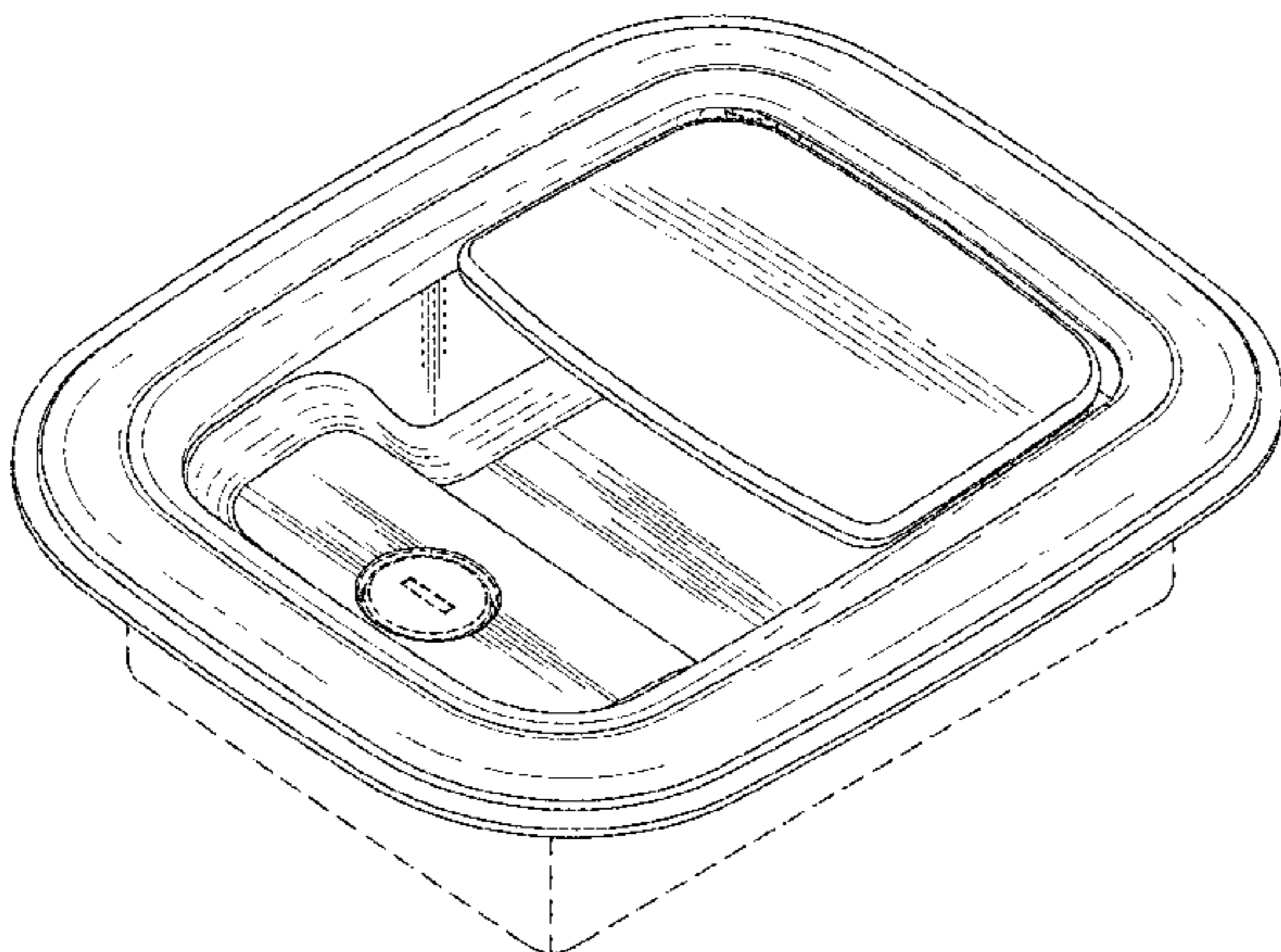
FIG. 4 is an opposite side elevational view thereof;

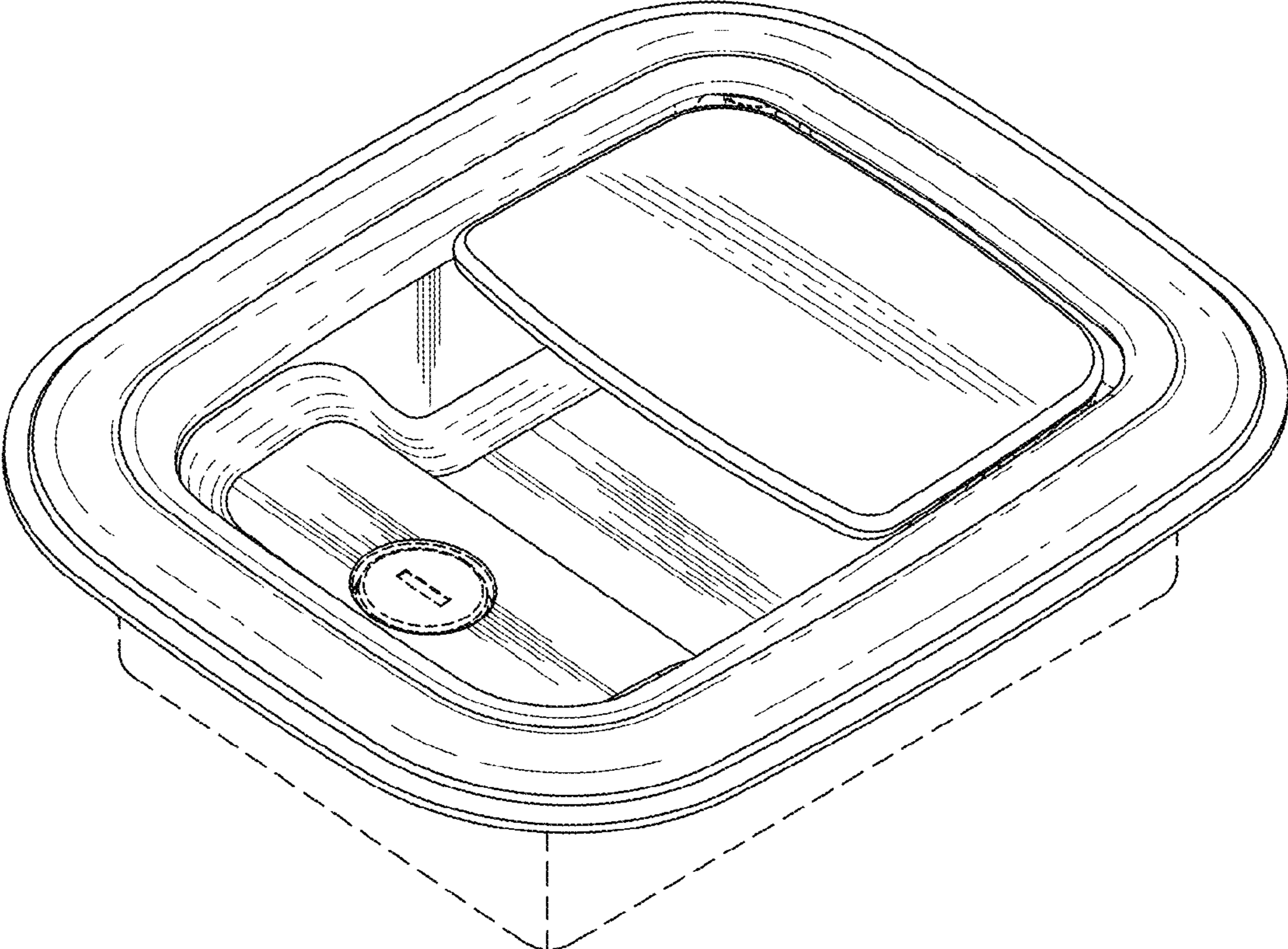
FIG. 5 is an end elevational view thereof; and,

FIG. 6 is an opposite end elevational view thereof.

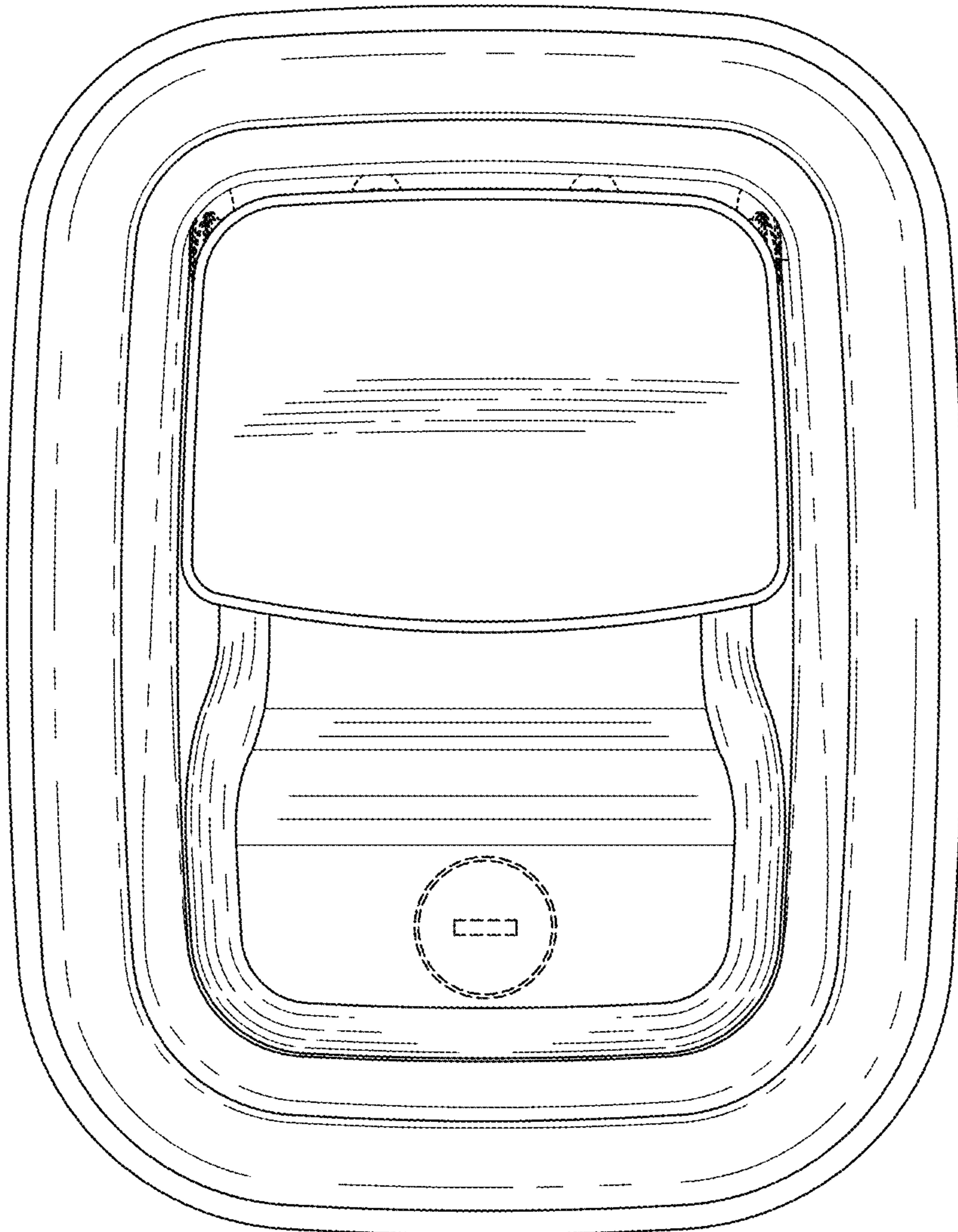
No claim is made to the bottom or rear side of the door handle, or to structures shown in broken lines.

**1 Claim, 3 Drawing Sheets**

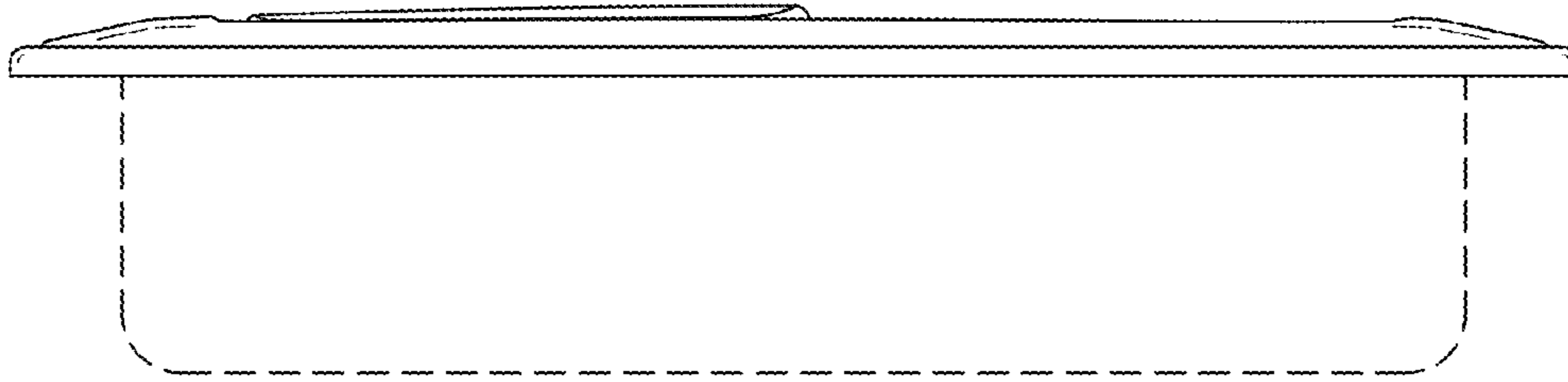




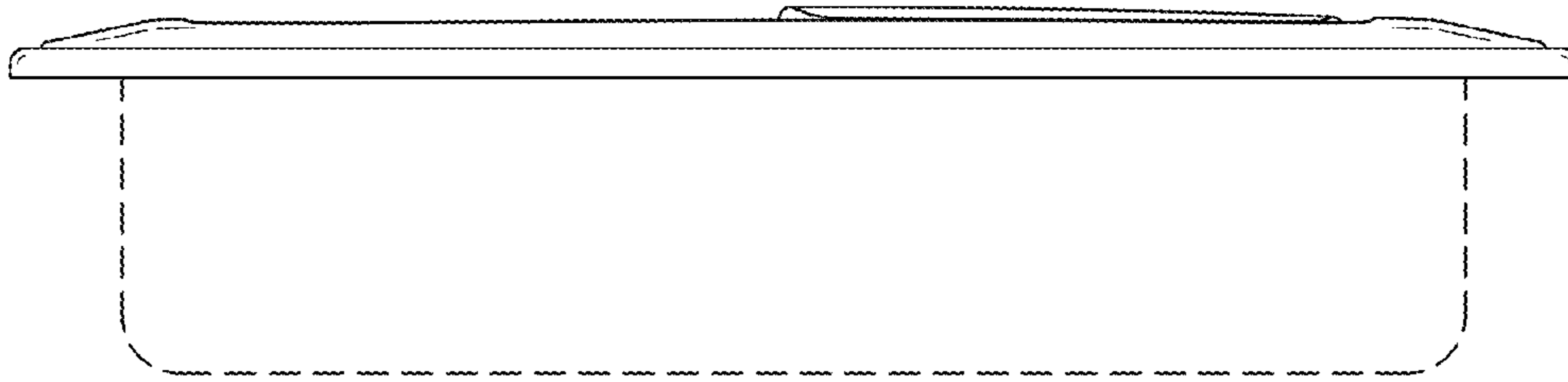
*Fig. 1*



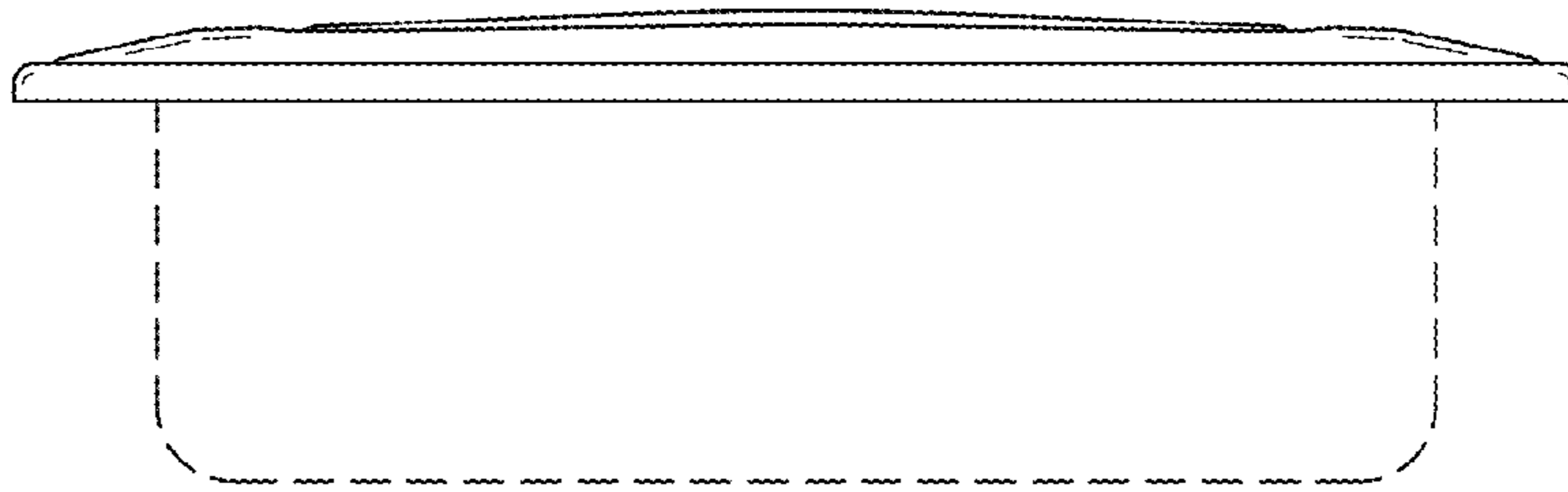
*Fig. 2*



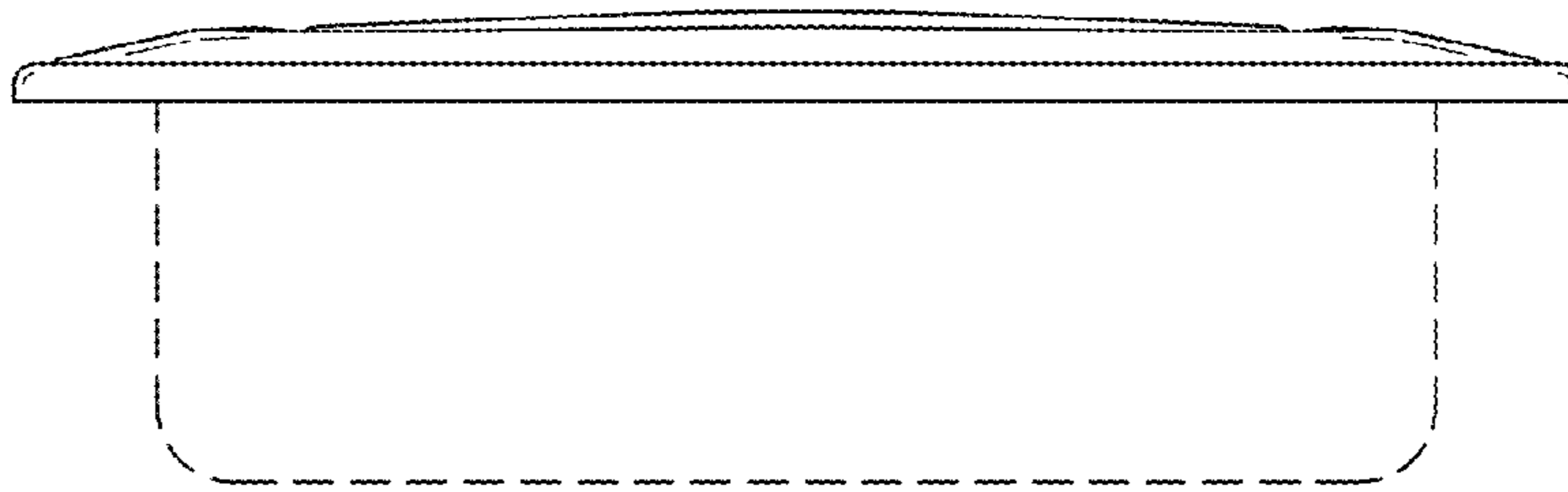
*Fig. 3*



*Fig. 4*



*Fig. 5*



*Fig. 6*