



US00D694085S

(12) **United States Design Patent**
Fukano et al.

(10) **Patent No.:** **US D694,085 S**

(45) **Date of Patent:** **** Nov. 26, 2013**

- (54) **ELECTRIC CLAMP APPARATUS**
- (71) Applicants: **Yoshihiro Fukano**, Tsukubamirai (JP);
Noriyuki Miyazaki, Tsukubamirai (JP);
Takeshi Seo, Tsukubamirai (JP)
- (72) Inventors: **Yoshihiro Fukano**, Tsukubamirai (JP);
Noriyuki Miyazaki, Tsukubamirai (JP);
Takeshi Seo, Tsukubamirai (JP)

6,473,953	B1 *	11/2002	Portnoff	269/3
6,938,938	B2 *	9/2005	Risle et al.	294/207
D587,087	S *	2/2009	Takeda et al.	D8/72
D588,431	S *	3/2009	Fukano et al.	D8/72
D590,686	S *	4/2009	Fukano et al.	D8/72
D609,546	S *	2/2010	Fukano et al.	D8/72
D615,840	S *	5/2010	Copper et al.	D8/72
8,303,007	B2 *	11/2012	Fukano et al.	269/240
D682,653	S *	5/2013	Coope et al.	D8/74
2004/0061268	A1 *	4/2004	Sawdon	269/32

* cited by examiner

(73) Assignee: **SMC Corporation**, Chiyoda-ku, Tokyo (JP)

Primary Examiner — David Muller

(**) Term: **14 Years**

(74) *Attorney, Agent, or Firm* — Yokoi & Co., U.S.A., Inc.;
Toshiyuki Yokoi

(21) Appl. No.: **29/441,585**

(57) **CLAIM**

(22) Filed: **Jan. 7, 2013**

The ornamental design for an electric clamp apparatus, as shown and described.

(30) **Foreign Application Priority Data**

DESCRIPTION

Jul. 12, 2012 (JP) 2012-016574

(51) **LOC (9) Cl.** **08-05**

(52) **U.S. Cl.**

USPC **D8/72**

(58) **Field of Classification Search**

USPC D8/71-74, 394-399, 59; 248/62, 63,
248/72, 74.1, 689, 124.2; 81/487; 269/3, 4,
269/6, 143, 165, 240, 243, 246-249, 254 R,
269/147-149; 29/256, 257, 276; D15/140;
D24/143; 408/103, 104-109

See application file for complete search history.

FIG. 1 shows a front view of an electric clamp apparatus showing our new design;
FIG. 2 shows a rear view thereof;
FIG. 3 shows a right side view thereof;
FIG. 4 shows a left side view thereof;
FIG. 5 shows a top view thereof;
FIG. 6 shows a bottom view thereof;
FIG. 7 shows a top, front and right side perspective view thereof;
FIG. 8 shows a top, front and right side perspective view thereof in alternative position; and,
FIG. 9 shows a top, front and right side perspective view thereof in alternative position.

(56) **References Cited**

U.S. PATENT DOCUMENTS

4,607,873	A *	8/1986	Nusbaumer et al.	294/202
D438,441	S *	3/2001	Nagai et al.	D8/72
6,471,199	B2 *	10/2002	Nagai et al.	269/32

The broken lines in FIGS. 6 and 9 are included for the purpose of illustrating portions of the electric clamp apparatus that form no part of the claimed design.

1 Claim, 8 Drawing Sheets

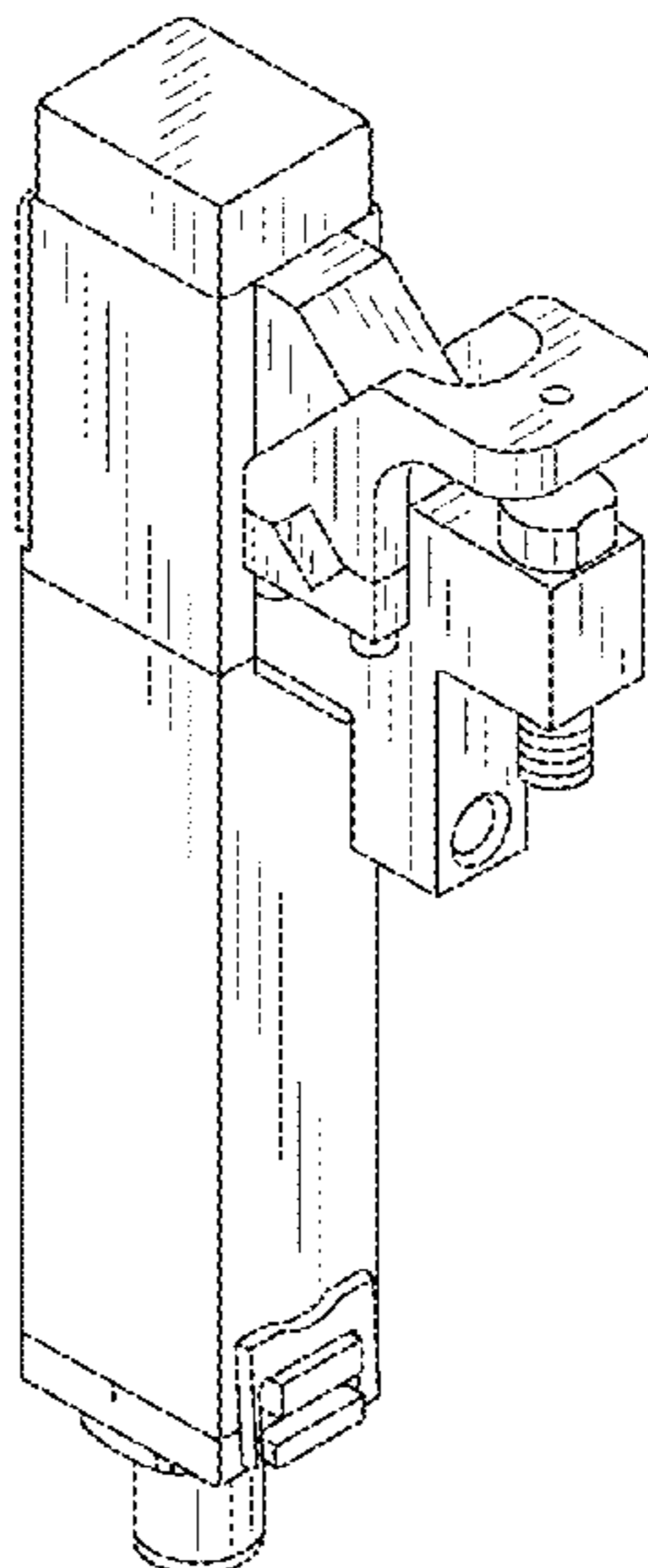


FIG. 1

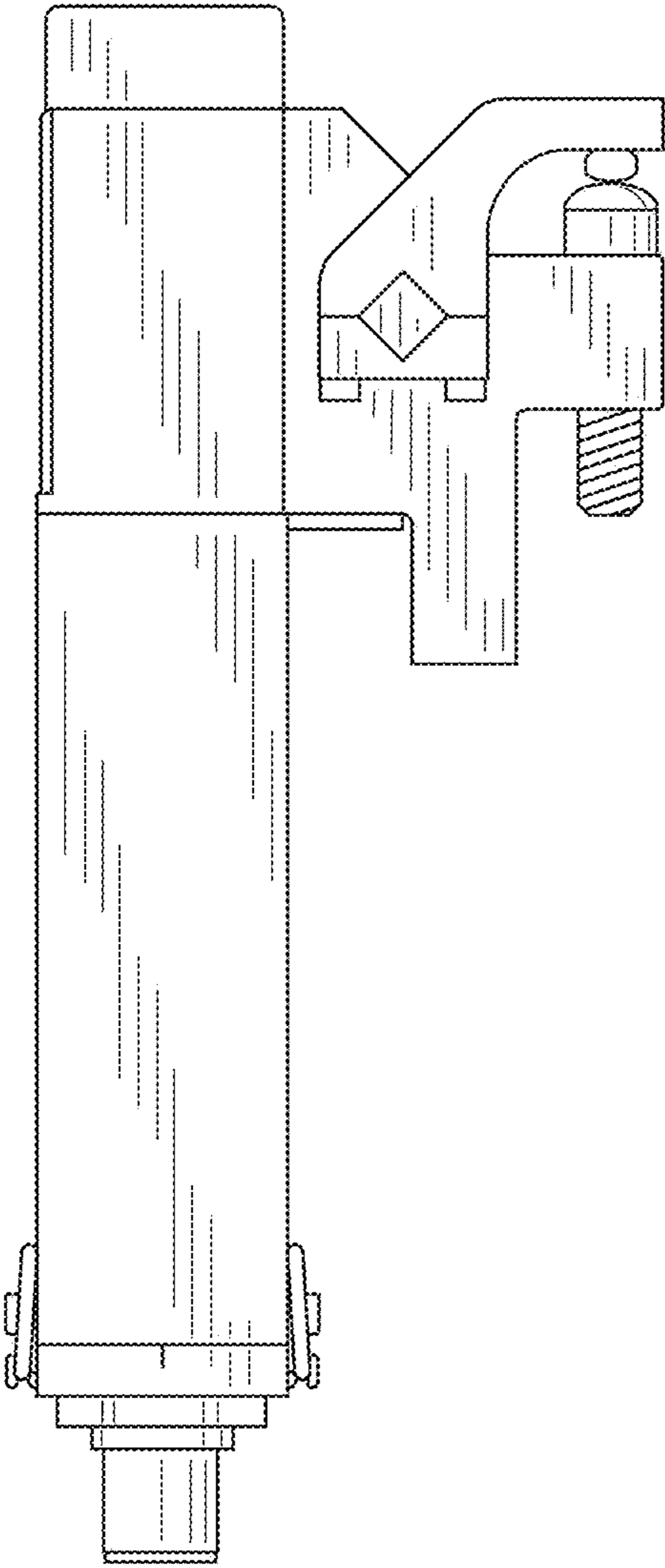


FIG. 2

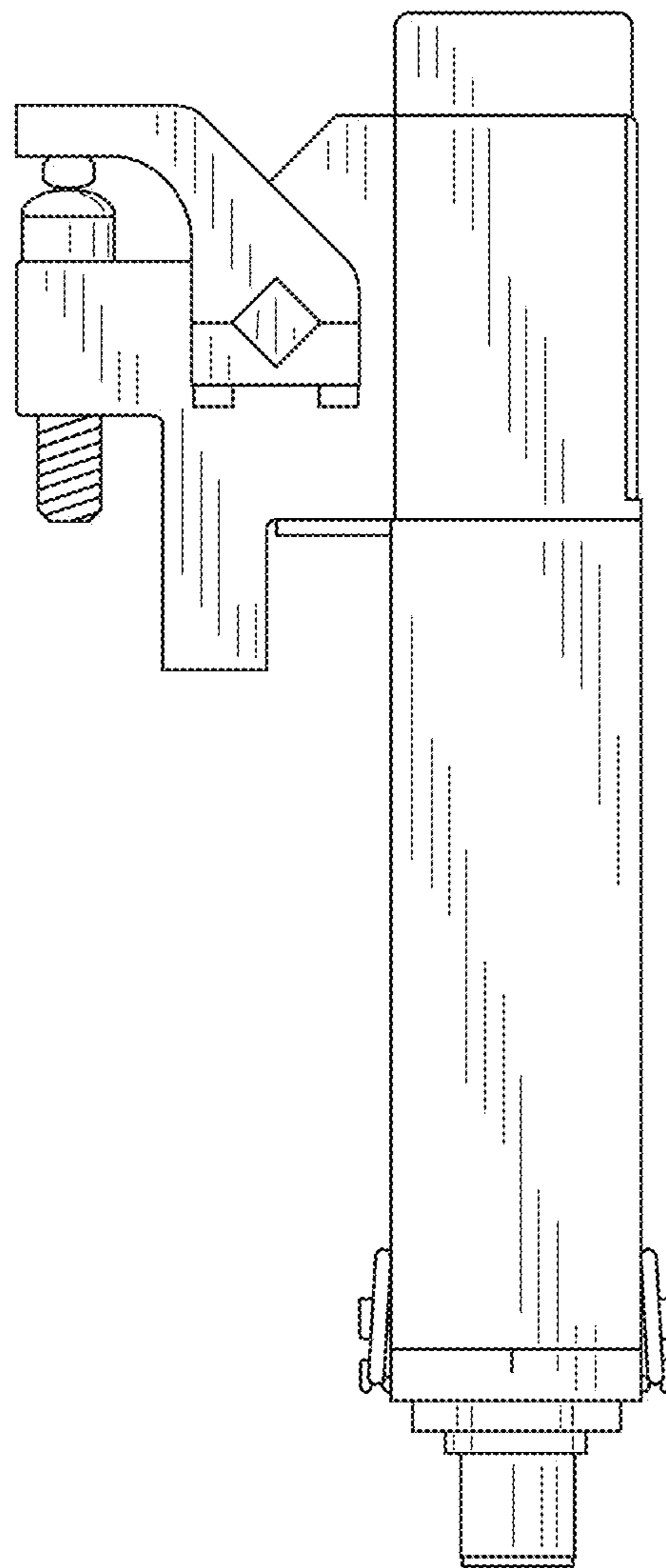


FIG. 3



FIG. 4

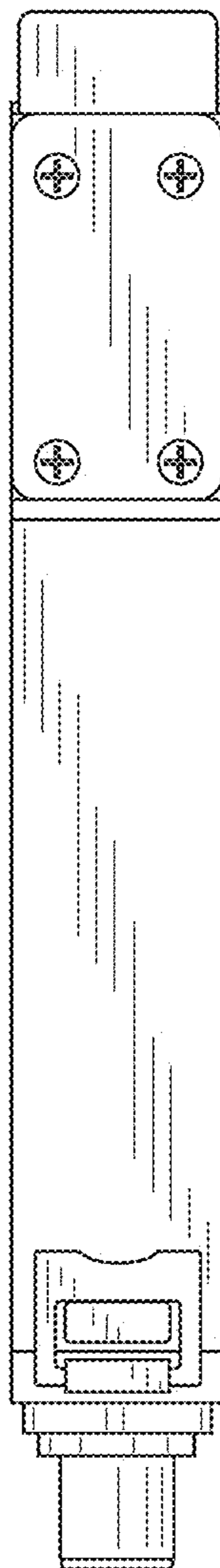


FIG. 5

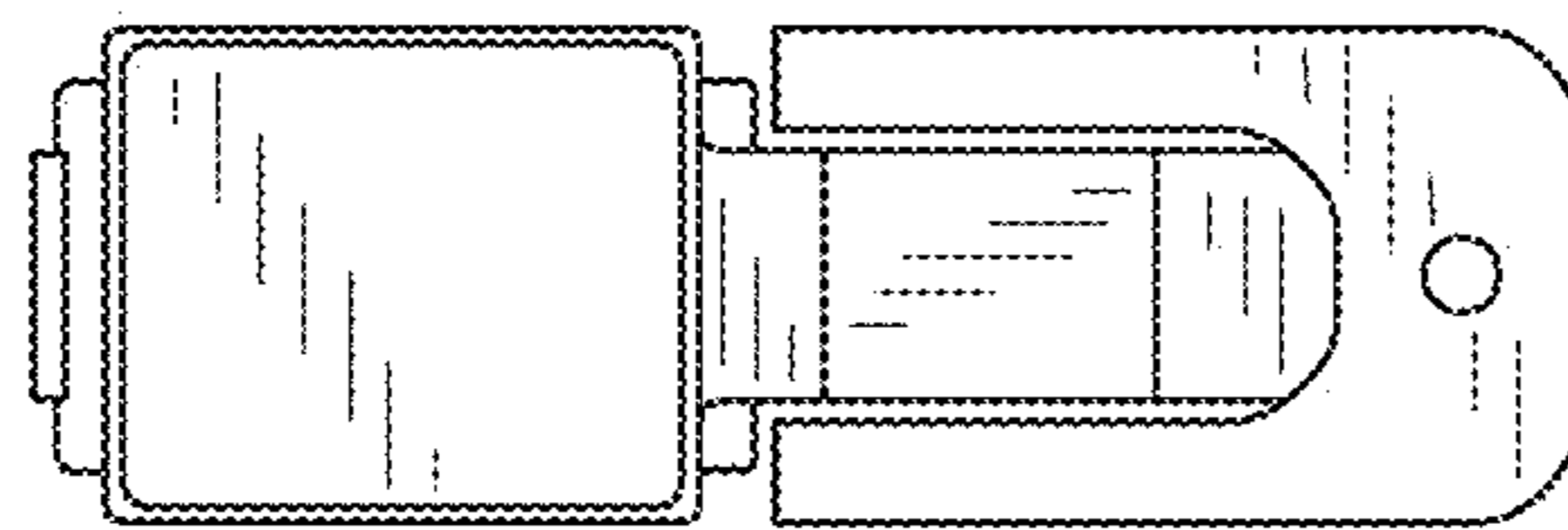


FIG. 6

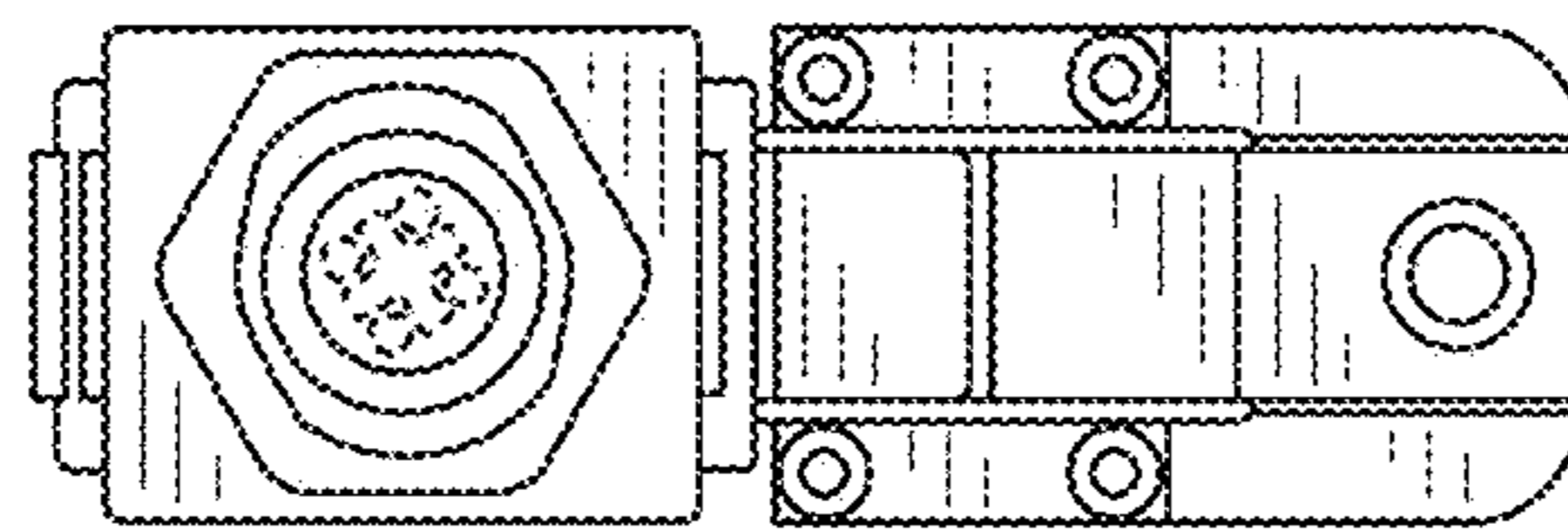


FIG. 7

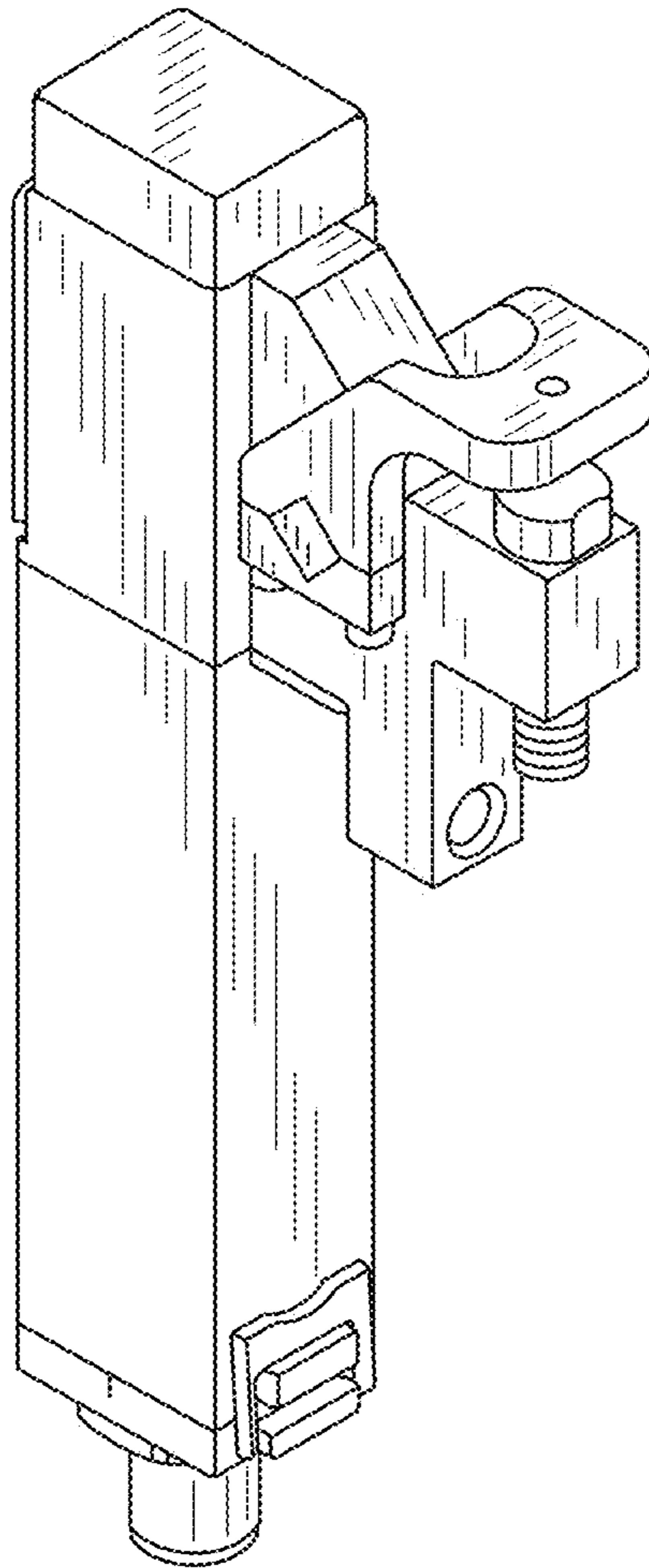


FIG. 8

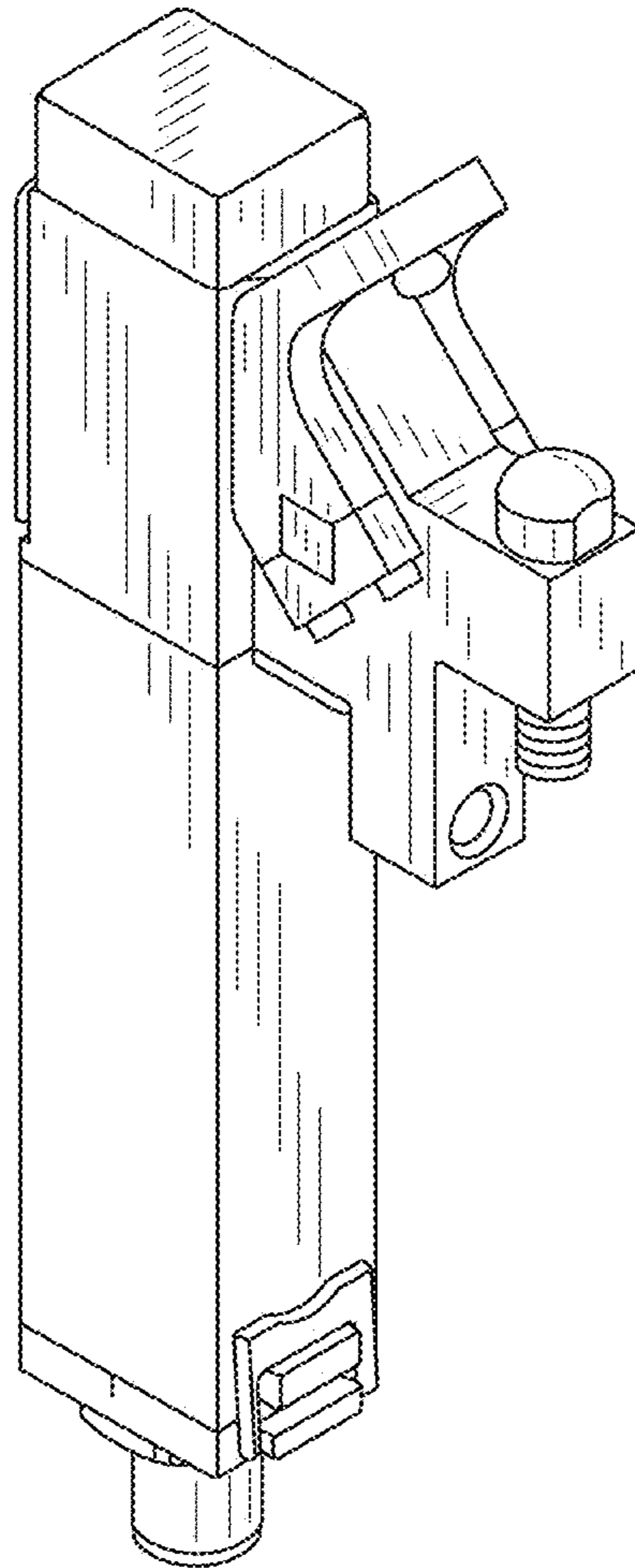


FIG. 9

