



US00D694084S

(12) **United States Design Patent**
Del Rossa

(10) **Patent No.:** **US D694,084 S**

(45) **Date of Patent:** **** Nov. 26, 2013**

(54) **JIG FOR REPAIRING BROKEN MOUNTING STUDS**

(71) Applicant: **Jeffrey Del Rossa**, Pittsburgh, PA (US)

(72) Inventor: **Jeffrey Del Rossa**, Pittsburgh, PA (US)

(**) Term: **14 Years**

(21) Appl. No.: **29/444,740**

(22) Filed: **Feb. 3, 2013**

(51) **LOC (9) Cl.** **08-05**

(52) **U.S. Cl.**
USPC **D8/71; D15/140**

(58) **Field of Classification Search**
USPC D8/71, 101; D15/138, 139, 140, 141;
30/371-378; 74/89.15, 438-441,
74/821-829; D6/328; D34/31; D28/73
See application file for complete search history.

(56) **References Cited**

U.S. PATENT DOCUMENTS

4,168,730	A	*	9/1979	Keller	144/371
D254,074	S		1/1980	Ringle		
D268,165	S	*	3/1983	Perry et al.	D8/70
D272,038	S	*	1/1984	Dicke	D8/71
D282,626	S	*	2/1986	Zelli	D8/71
D287,179	S	*	12/1986	Kuykendall	D34/31
D293,203	S	*	12/1987	Hertensteiner	D8/354
D295,016	S	*	4/1988	Forrester	D8/70

D328,698	S	*	8/1992	Worthington	D8/71
D353,527	S	*	12/1994	Drake	D8/71
D380,953	S	*	7/1997	Norgaard	D8/71
D410,767	S	*	6/1999	Carroll	D28/73
D426,127	S	*	6/2000	Boelling	D8/71
D432,886	S	*	10/2000	Hembroff	D8/74
D481,281	S	*	10/2003	Anderson	D8/71
D554,163	S	*	10/2007	Krohmer et al.	D15/140

* cited by examiner

Primary Examiner — Philip S Hyder

Assistant Examiner — Darlington Ly

(74) *Attorney, Agent, or Firm* — Ronald Law Group, LLC;
Carl A. Ronald

(57) **CLAIM**

The ornamental design for a jig for repairing broken mounting studs, as shown and described.

DESCRIPTION

FIG. 1 is a top perspective view of a jig showing my new design;

FIG. 2 is a top plan view thereof;

FIG. 3 is a side elevation view thereof;

FIG. 4 is an end elevation view thereof;

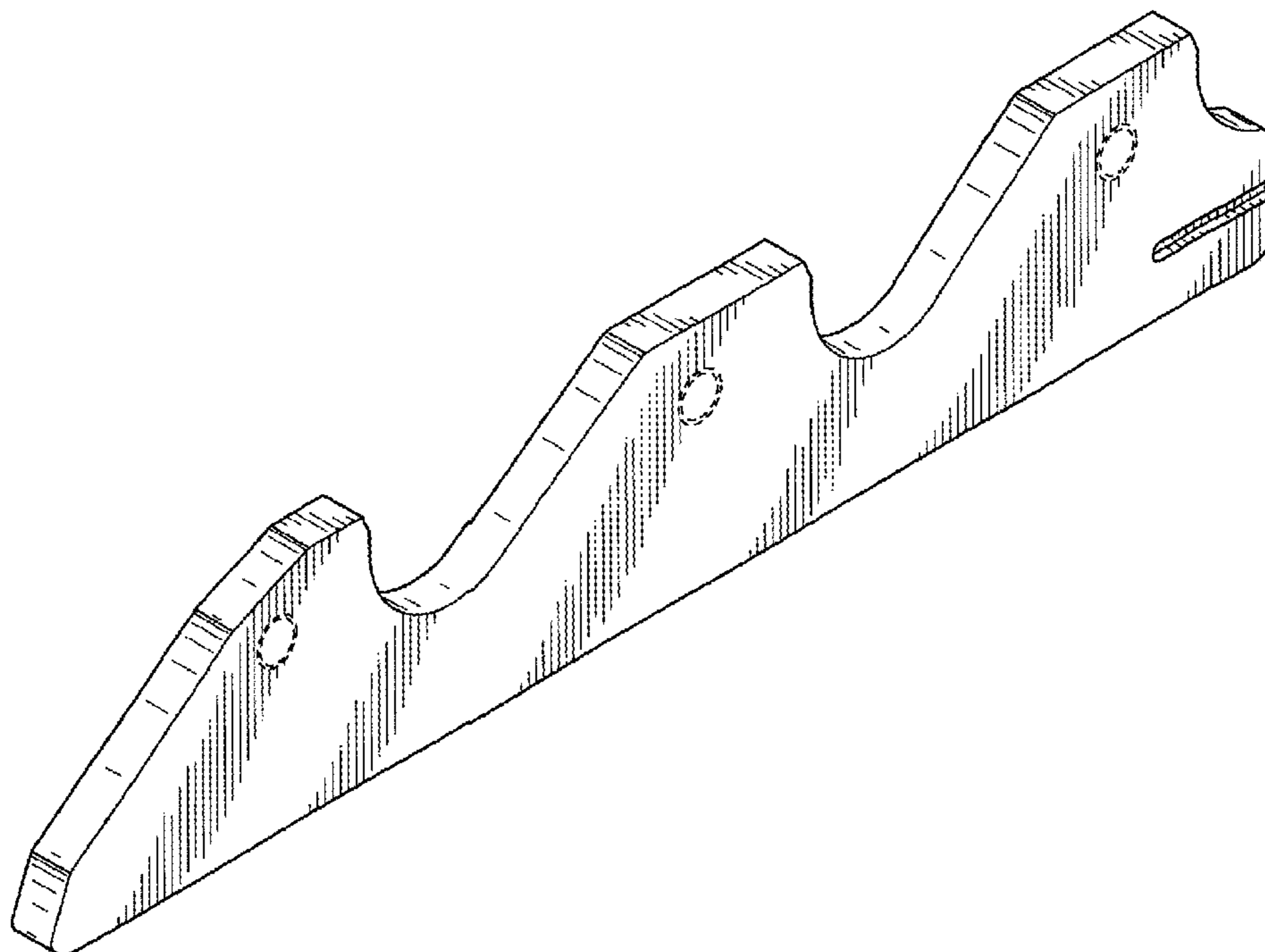
FIG. 5 is an opposite side elevation view thereof;

FIG. 6 is an opposite end elevation view thereof; and,

FIG. 7 is a bottom plan view thereof.

The broken lines shown in the drawings illustrate portions of the jig for repairing broken mounting studs that forms no part of claimed design.

1 Claim, 3 Drawing Sheets



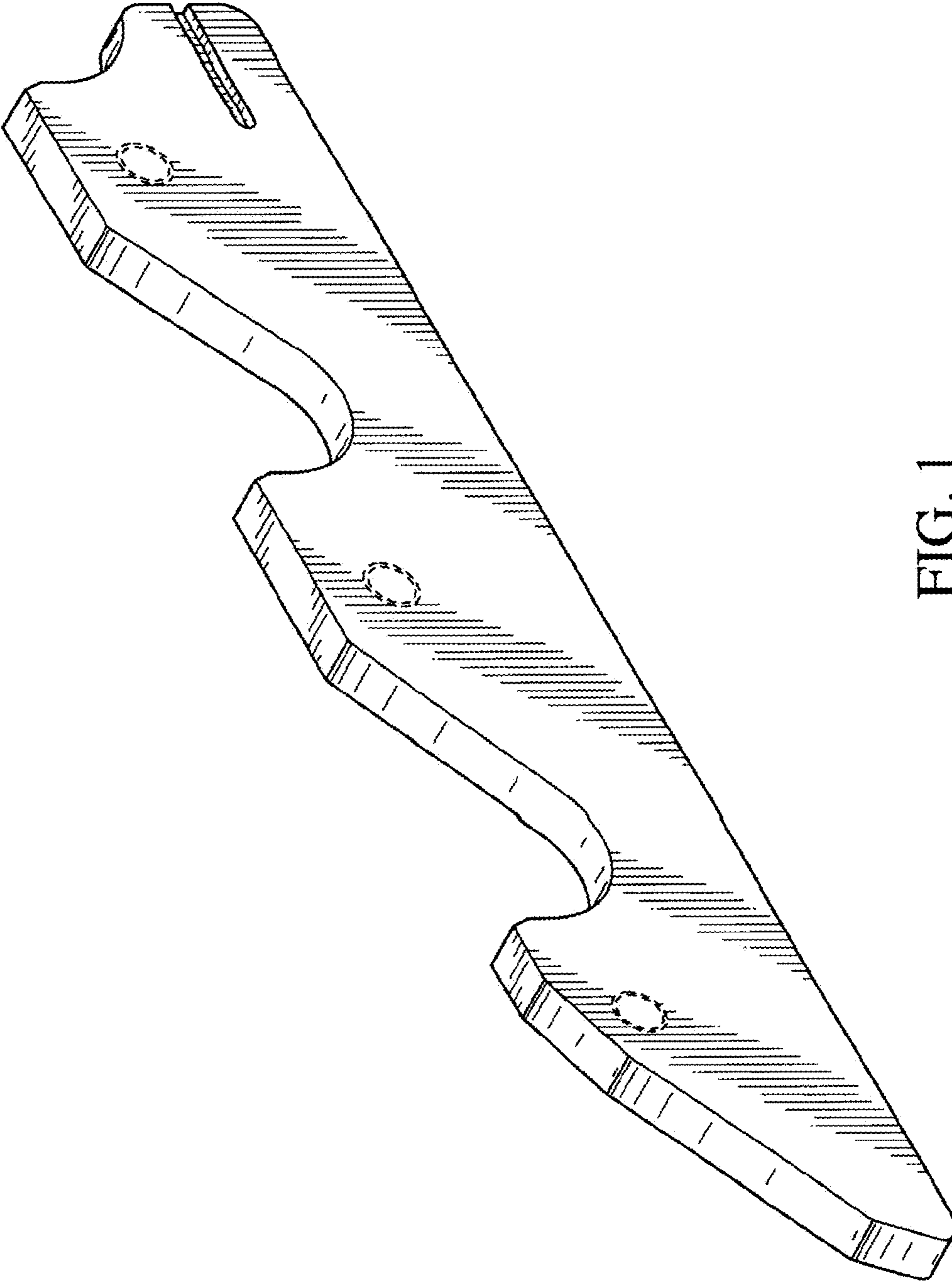


FIG. 1



FIG. 2



FIG. 4

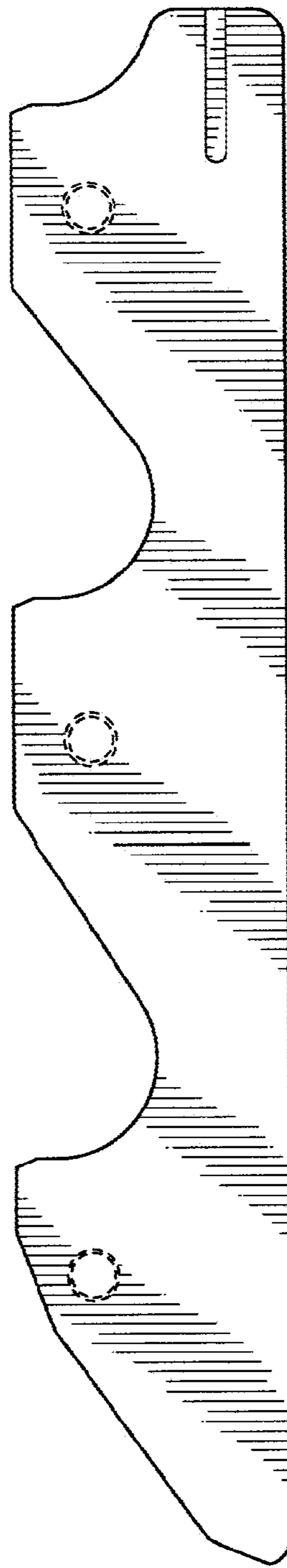


FIG. 3

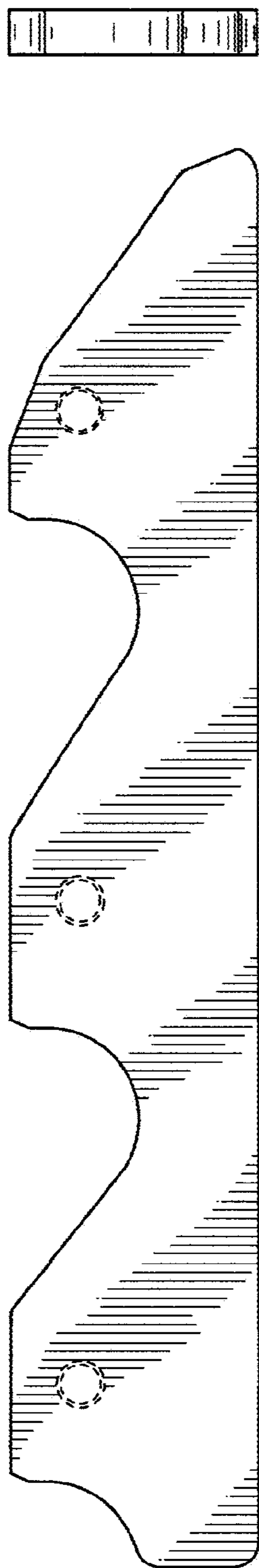


FIG. 6

FIG. 5



FIG. 7