



US00D694083S

(12) **United States Design Patent**  
**Yaschur**

(10) **Patent No.:** **US D694,083 S**

(45) **Date of Patent:** **\*\* Nov. 26, 2013**

(54) **ANGLE HEAD FOR A GRINDER OR SANDER**

(75) **Inventor:** **Jefferey Clifford Yaschur**, Doylestown, PA (US)

(73) **Assignee:** **Ingersoll-Rand Company**, Davidson, NC (US)

(\*\*) **Term:** **14 Years**

(21) **Appl. No.:** **29/423,006**

(22) **Filed:** **May 25, 2012**

(51) **LOC (9) Cl.** ..... **08-03**

(52) **U.S. Cl.**  
USPC ..... **D8/70; D15/140**

(58) **Field of Classification Search**

USPC ..... D8/61-70; D15/138-140; 16/426;  
30/388; 81/54, 57, 57.11, 57.3;  
173/164, 169, 170, 213, 216, 217;  
408/240; 451/344, 357, 358, 359

See application file for complete search history.

(56) **References Cited**

**U.S. PATENT DOCUMENTS**

D310,772 S *	9/1990	Johnson	.....	D8/70
D341,530 S *	11/1993	Staubitz et al.	.....	D8/61
6,009,776 A *	1/2000	Warren	.....	81/57.29
D439,124 S *	3/2001	Duennes	.....	D8/70
D466,783 S *	12/2002	Jamra et al.	.....	D8/70
D513,692 S *	1/2006	Baker et al.	.....	D8/70
7,052,382 B2 *	5/2006	Baker	.....	451/344
7,077,736 B2 *	7/2006	Uzumcu et al.	.....	451/359
7,207,394 B2	4/2007	Young		
D587,978 S *	3/2009	Aglassinger	.....	D8/70
D623,033 S *	9/2010	Trochum	.....	D8/62
D638,453 S *	5/2011	Buhr et al.	.....	D15/140
D667,854 S *	9/2012	Kammerer et al.	.....	D15/140
2008/0003070 A1 *	1/2008	Hor	.....	408/124

**OTHER PUBLICATIONS**

Industrial Surface Preparation, Product Listing and Description, Ingersoll Rand Industrial Technologies, © 2010 Ingersoll-Rand Company Limited, 63 pages.

\* cited by examiner

*Primary Examiner* — Philip S Hyder

*Assistant Examiner* — Darlington Ly

(74) *Attorney, Agent, or Firm* — Myers Bigel Sibley & Sajovec, P.A.

(57) **CLAIM**

The ornamental design for an angle head for a grinder or sander, as shown and described.

**DESCRIPTION**

FIG. 1 is a top, rear, side perspective view of an angle head for a grinder or sander, showing my new design;

FIG. 2 is a rear view thereof;

FIG. 3 is a bottom view thereof;

FIG. 4 is a front view thereof;

FIG. 5 is a top plan view thereof;

FIG. 6 is a side view thereof;

FIG. 7 is an opposing side view thereof;

FIG. 8 is a top, rear, side perspective view of another embodiment of the angle head for a grinder or sander;

FIG. 9 is a rear view thereof;

FIG. 10 is a bottom view thereof;

FIG. 11 is front view thereof;

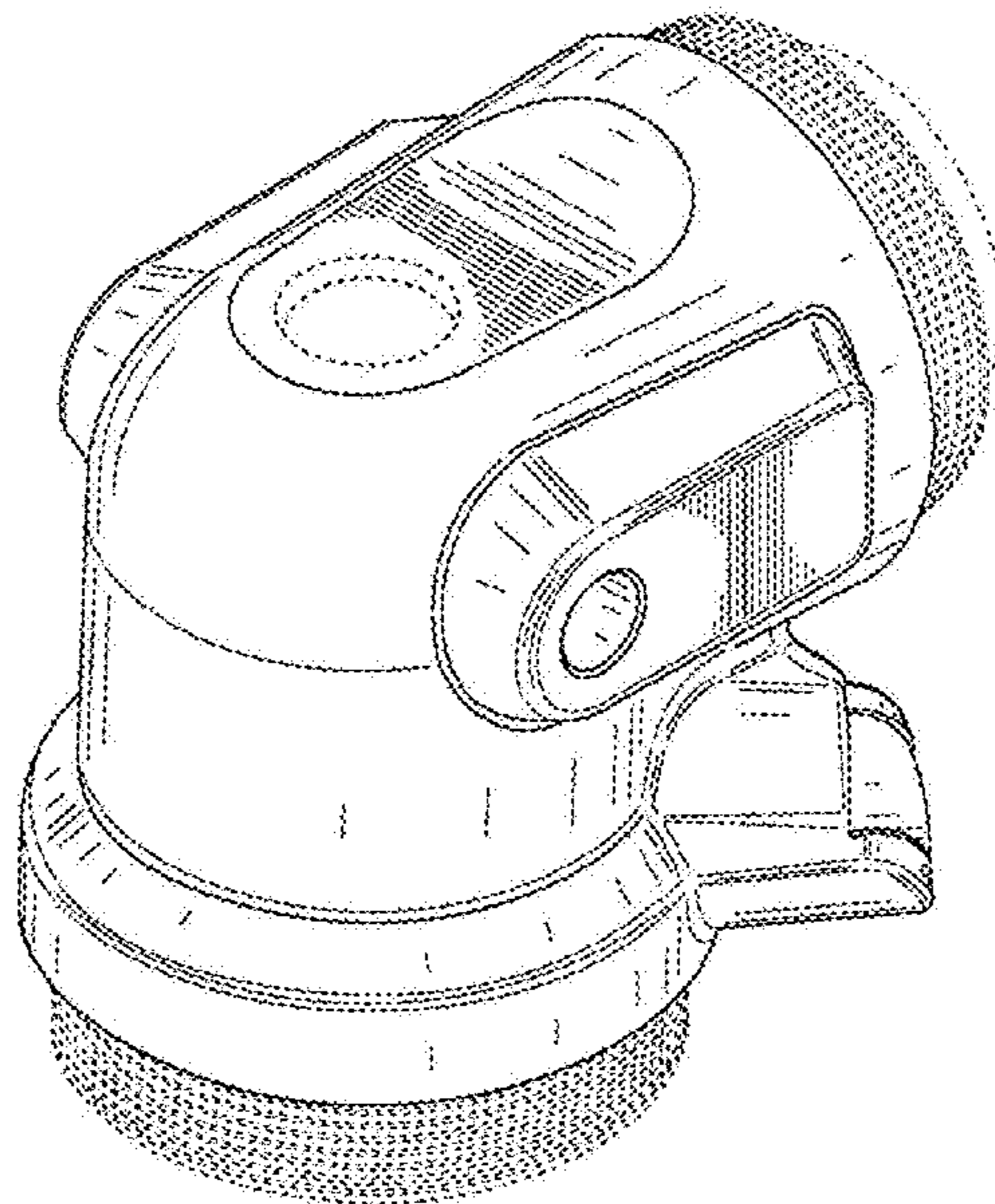
FIG. 12 is a top plan view thereof;

FIG. 13 is a side view thereof; and,

FIG. 14 is an opposing side view thereof.

The broken lines shown in the drawings illustrate portions of the angle head for a grinder or sander that form no part of the claimed design.

**1 Claim, 8 Drawing Sheets**



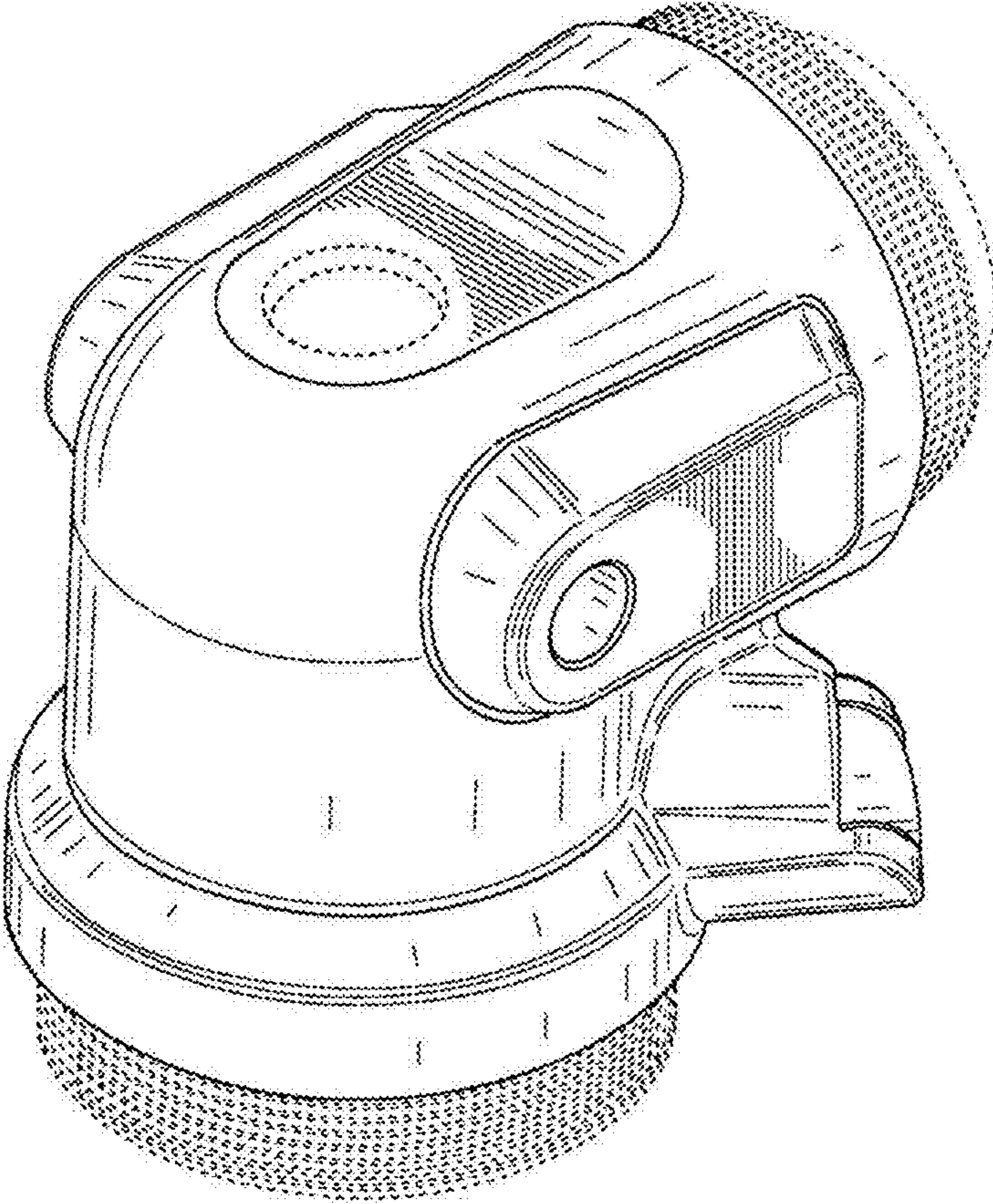


FIG. 1

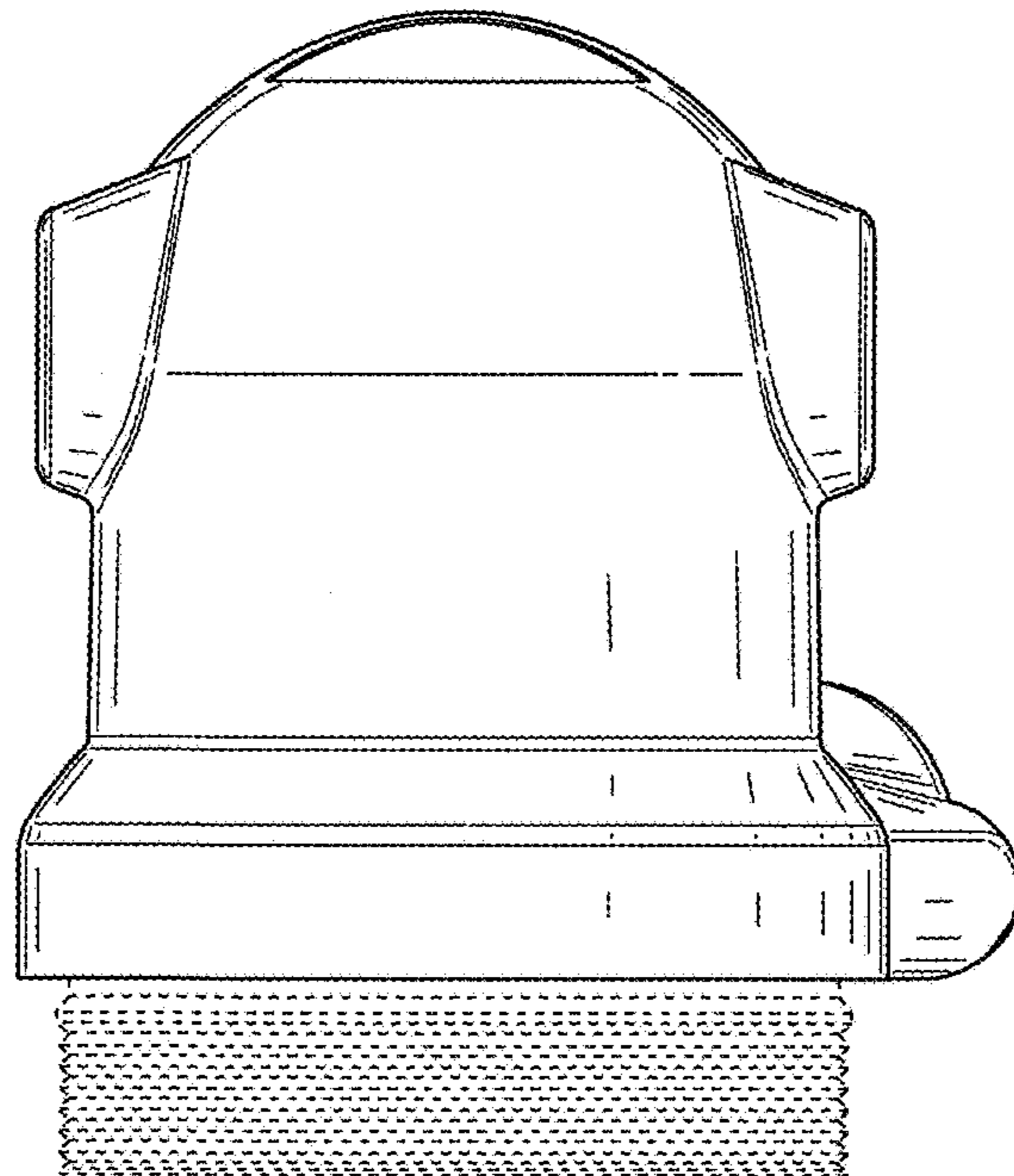


FIG. 2

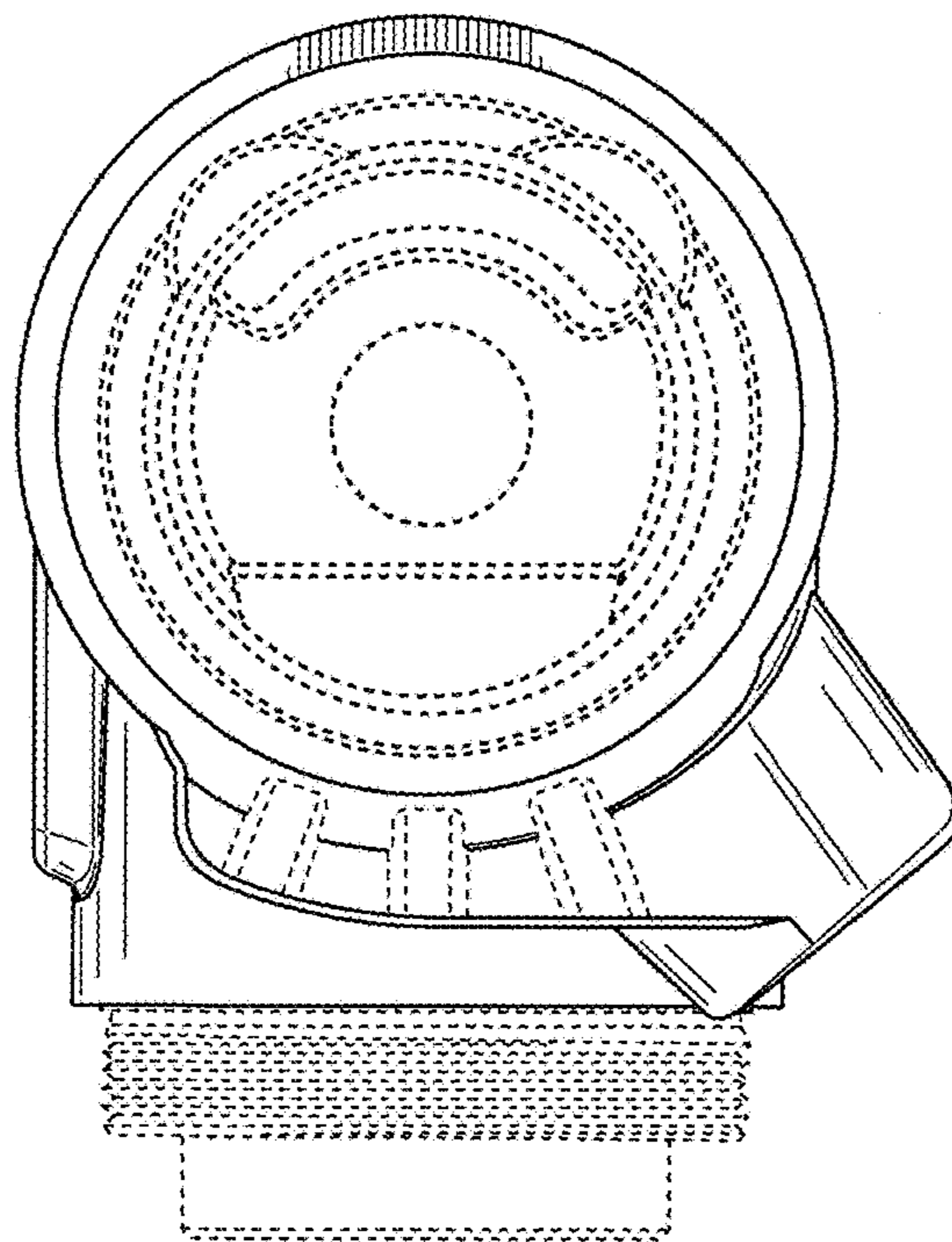


FIG. 3

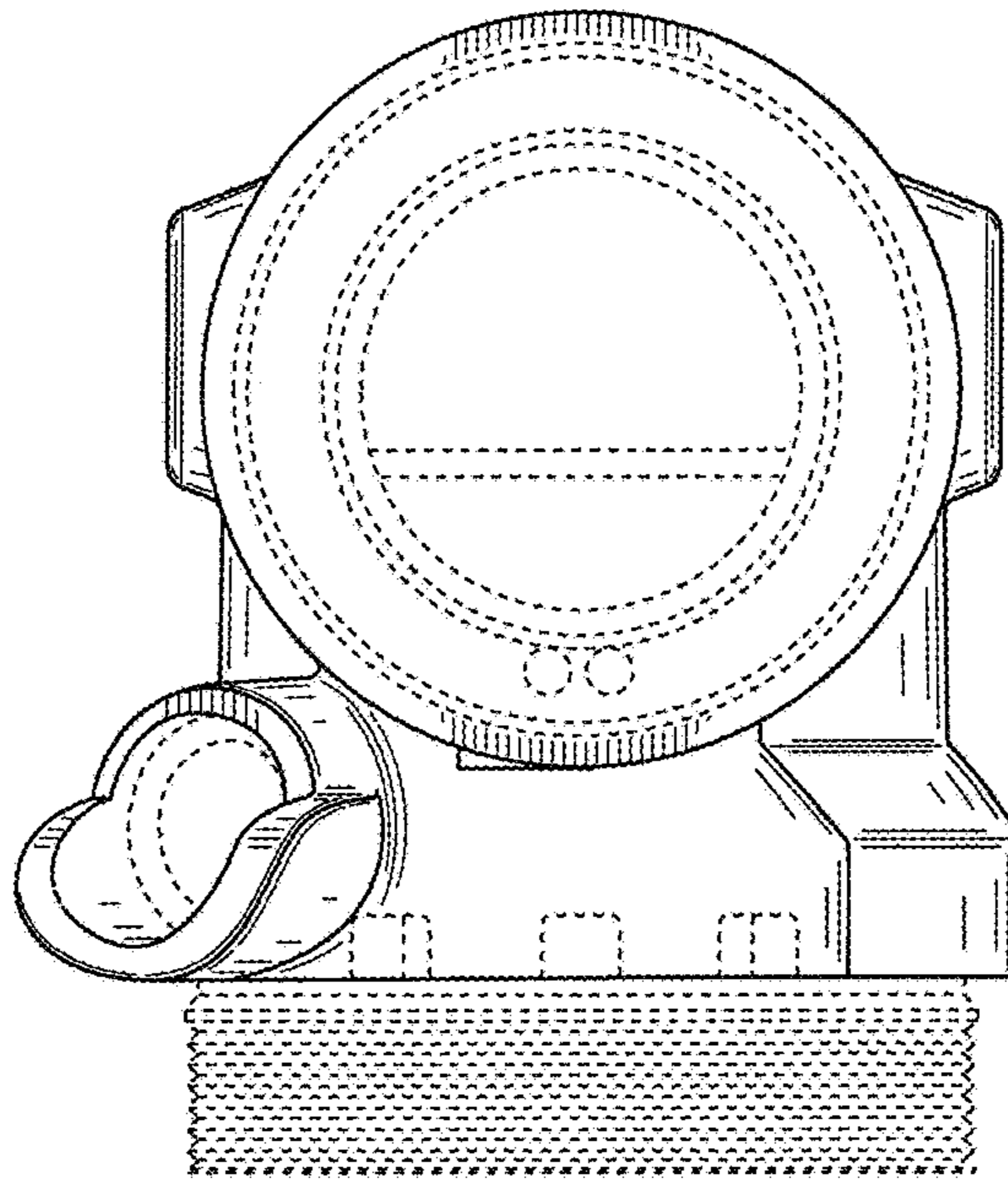


FIG. 4

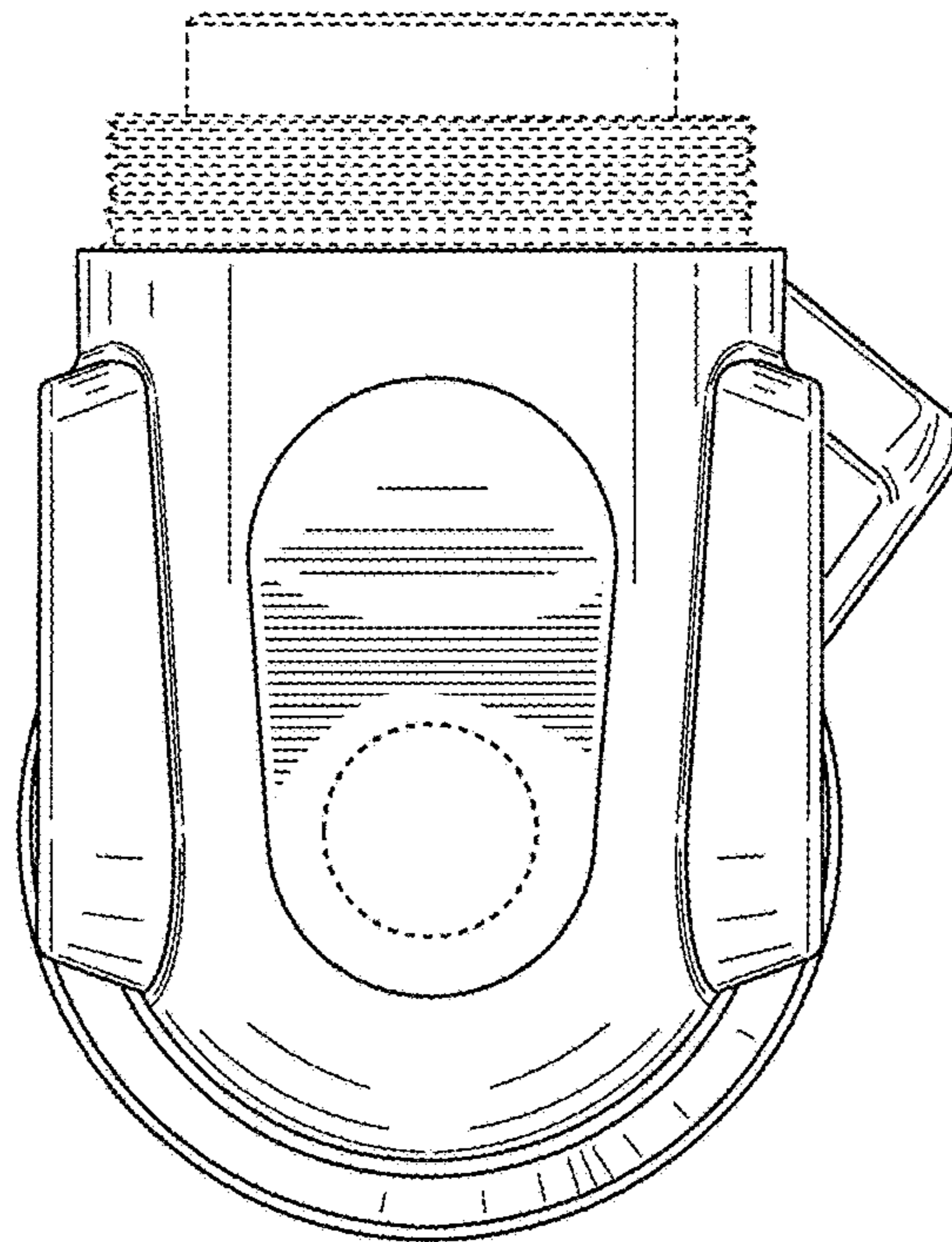


FIG. 5

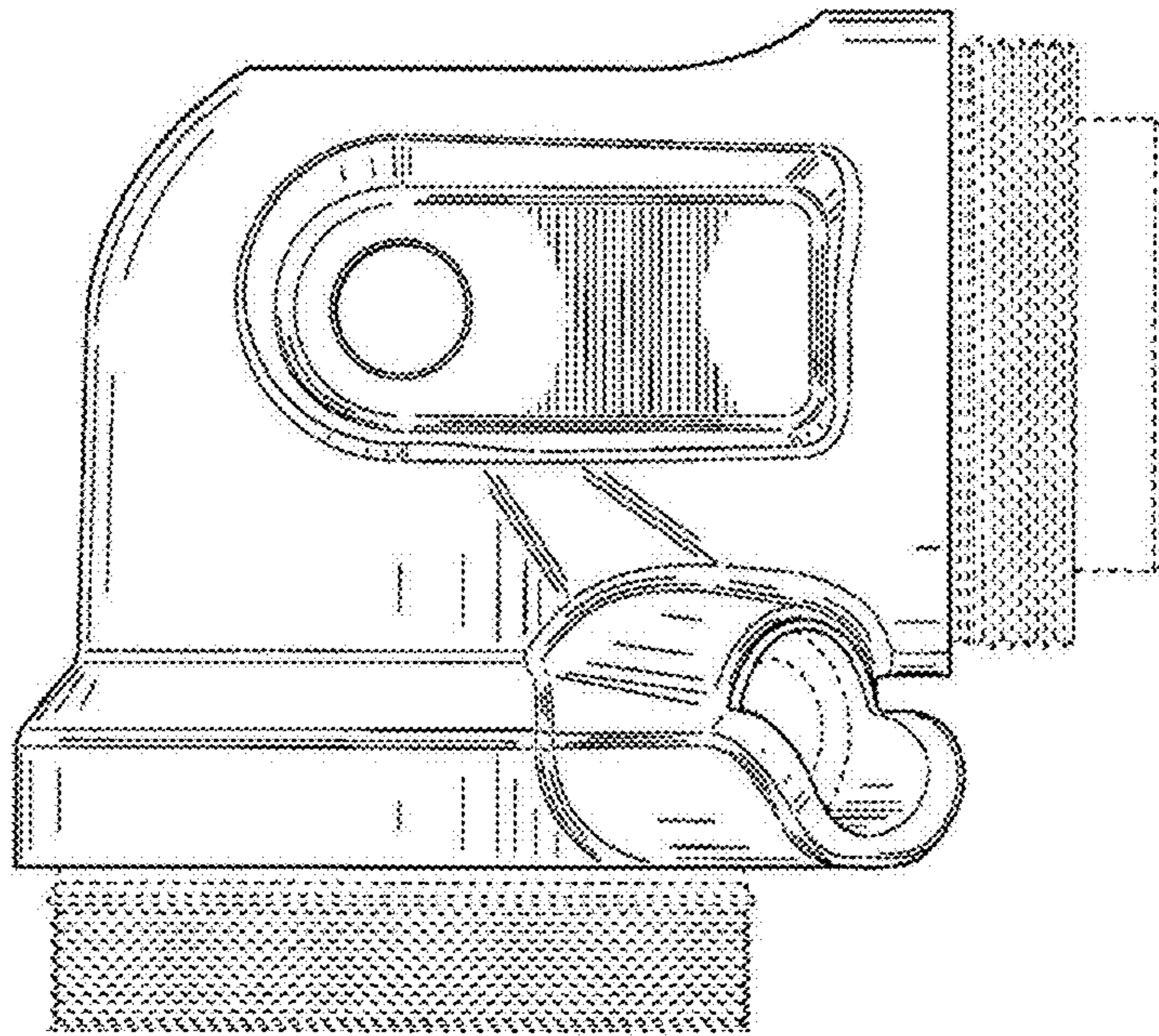


FIG. 6

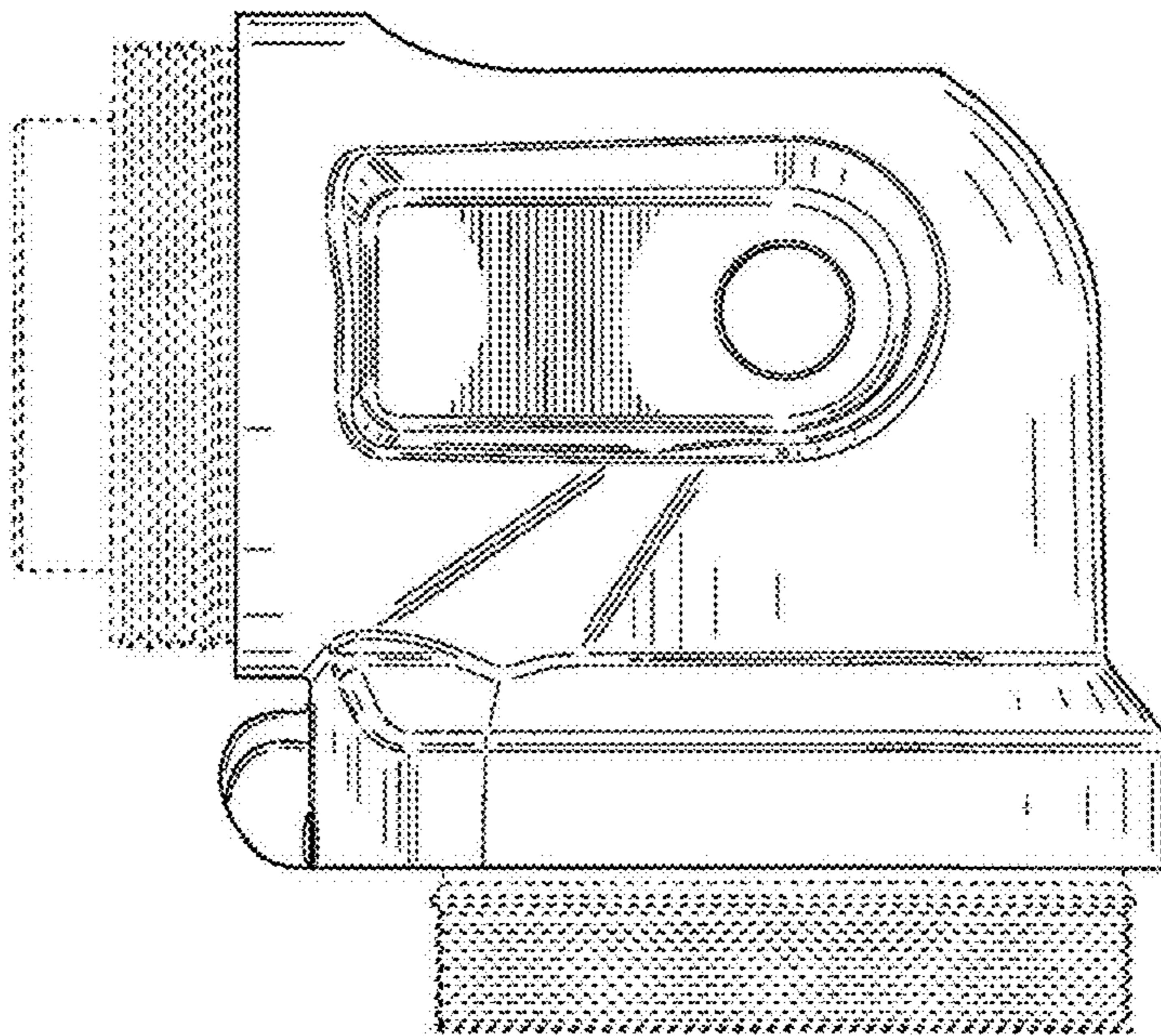


FIG. 7

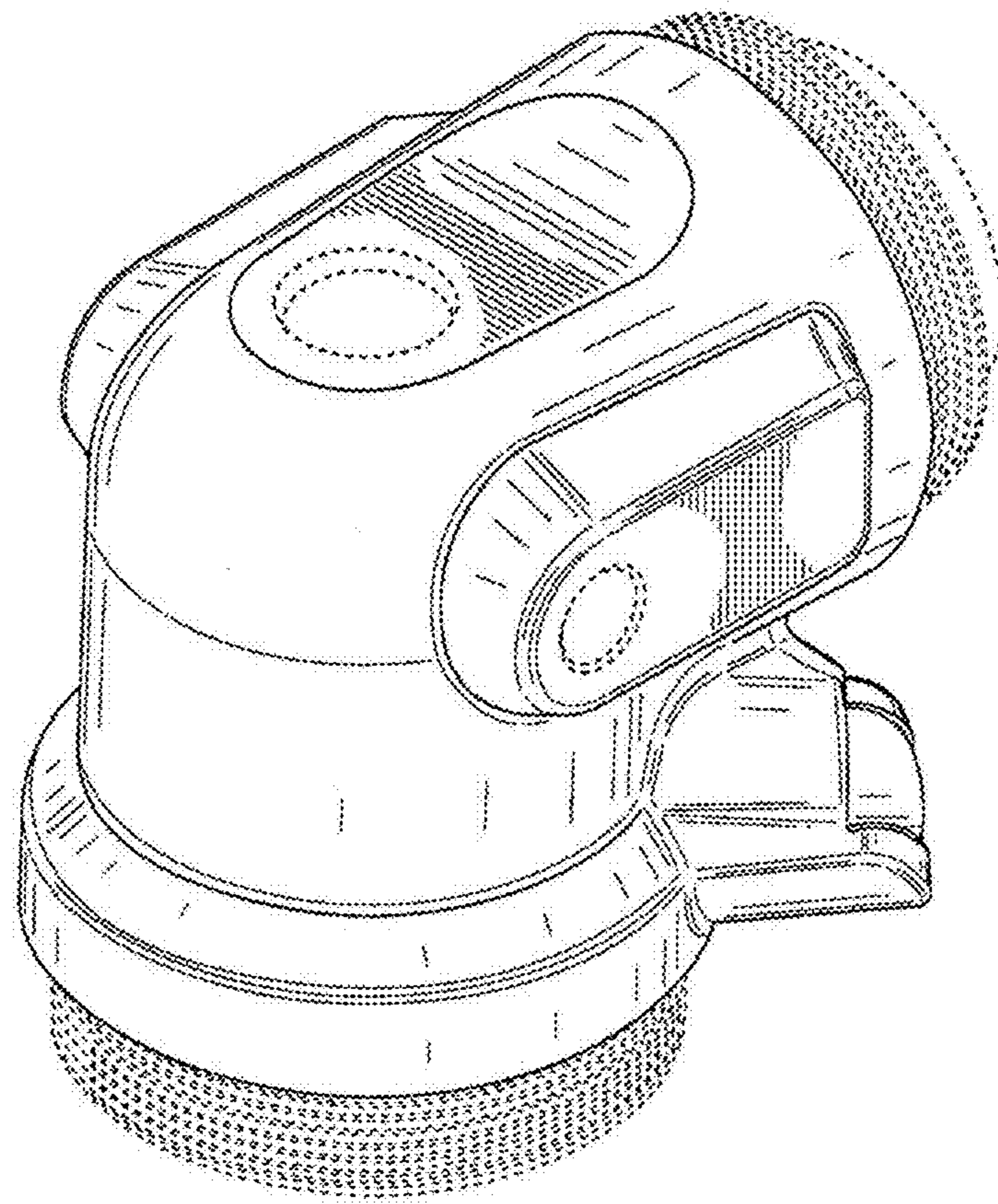
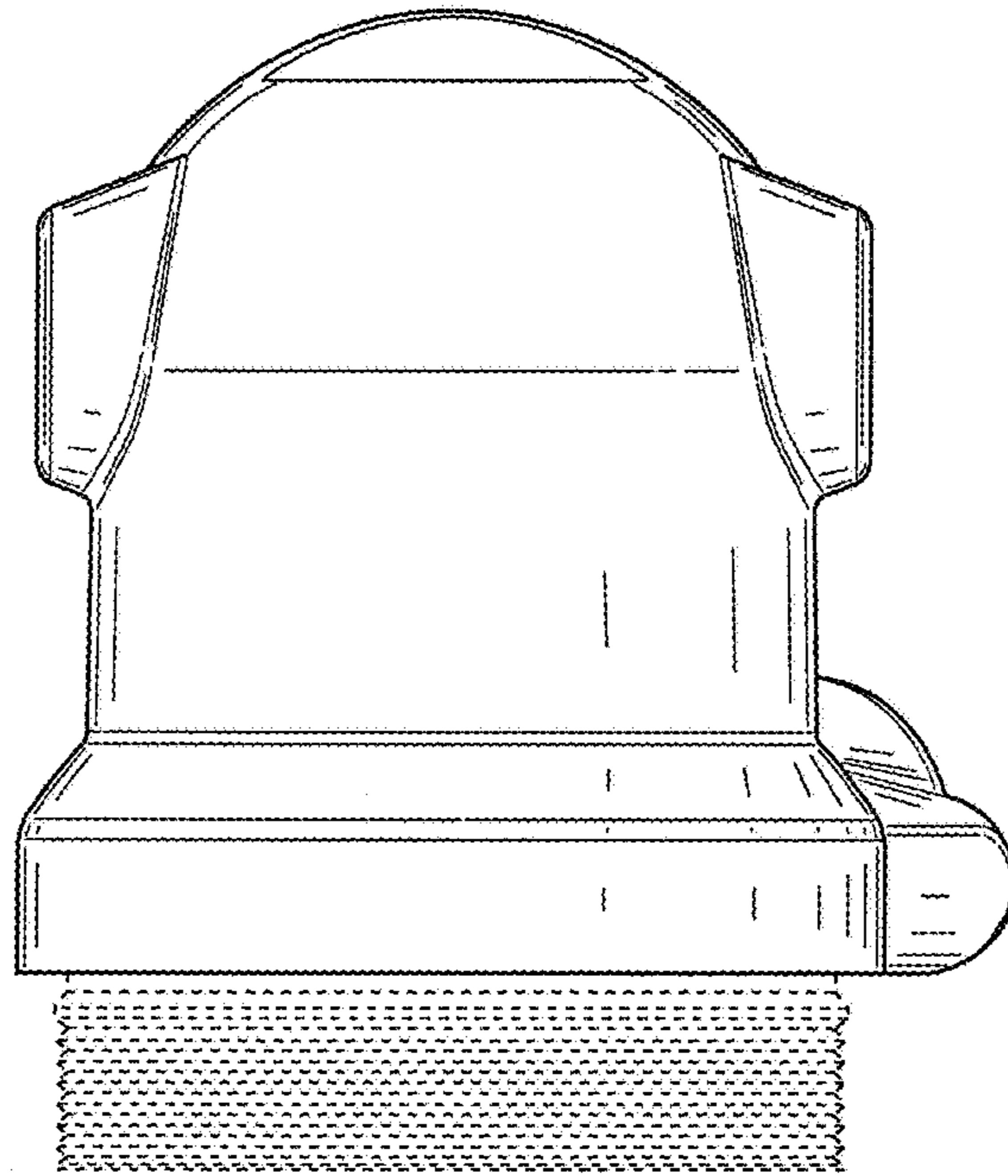
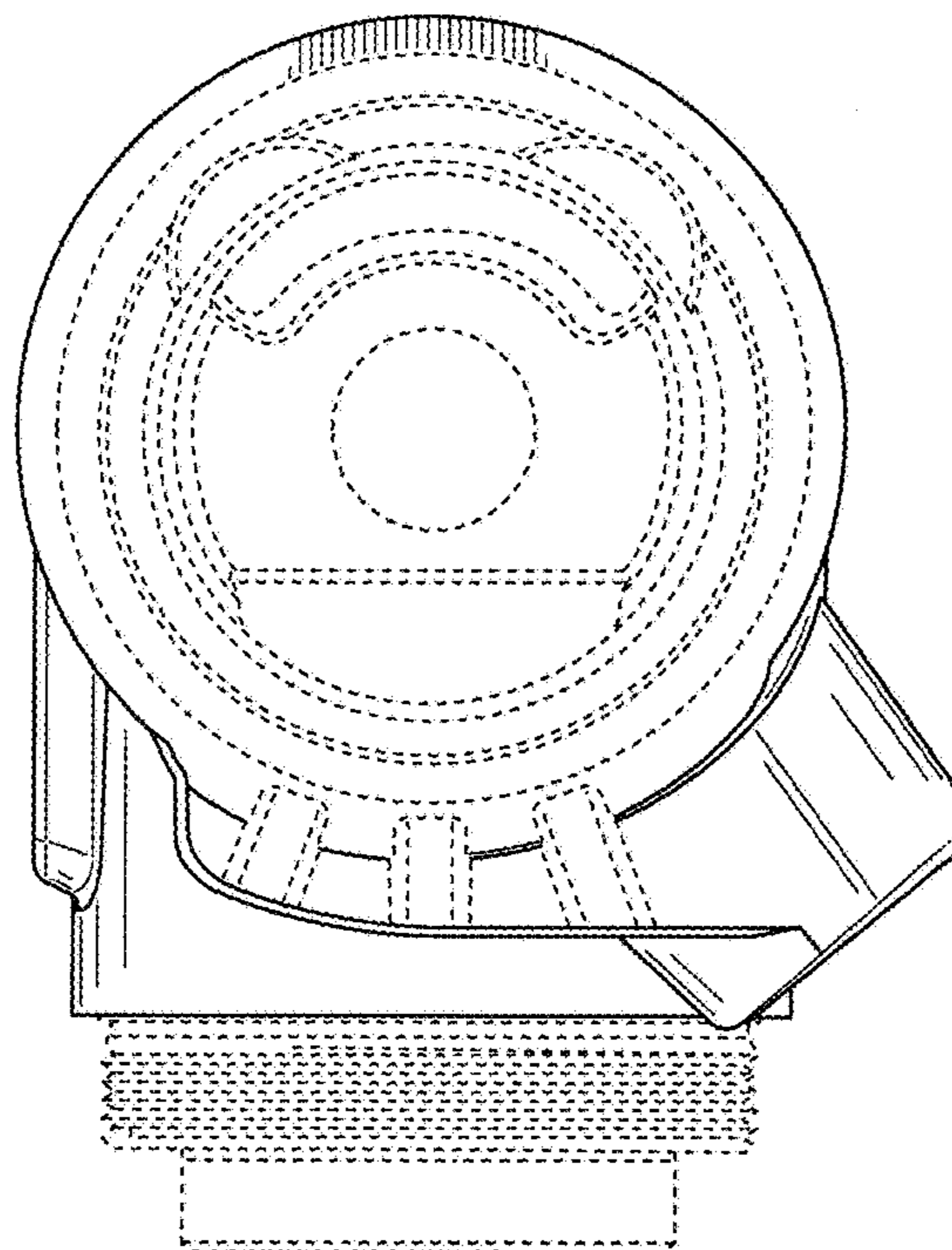


FIG. 8



**FIG. 9**



**FIG. 10**

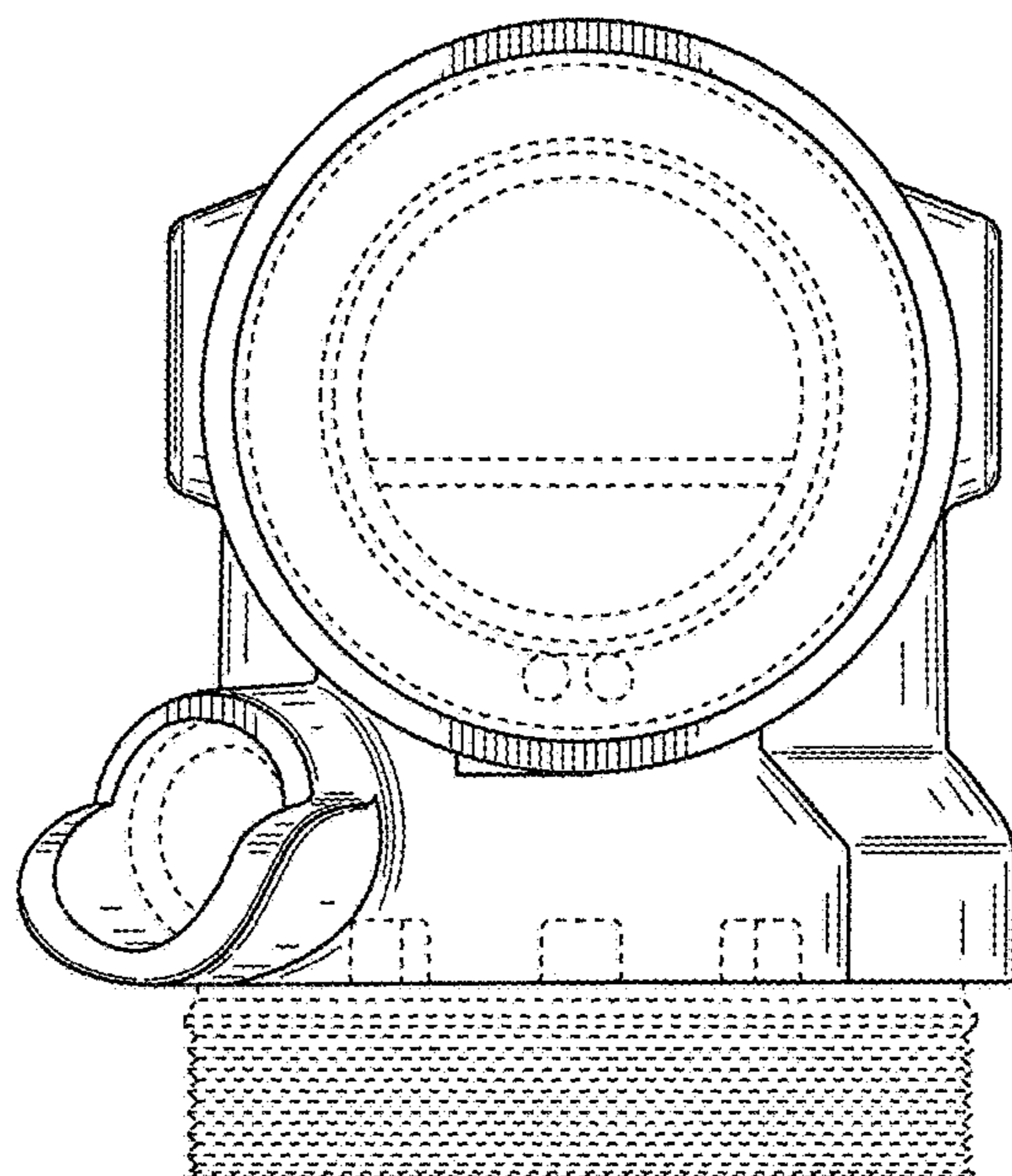


FIG. 11

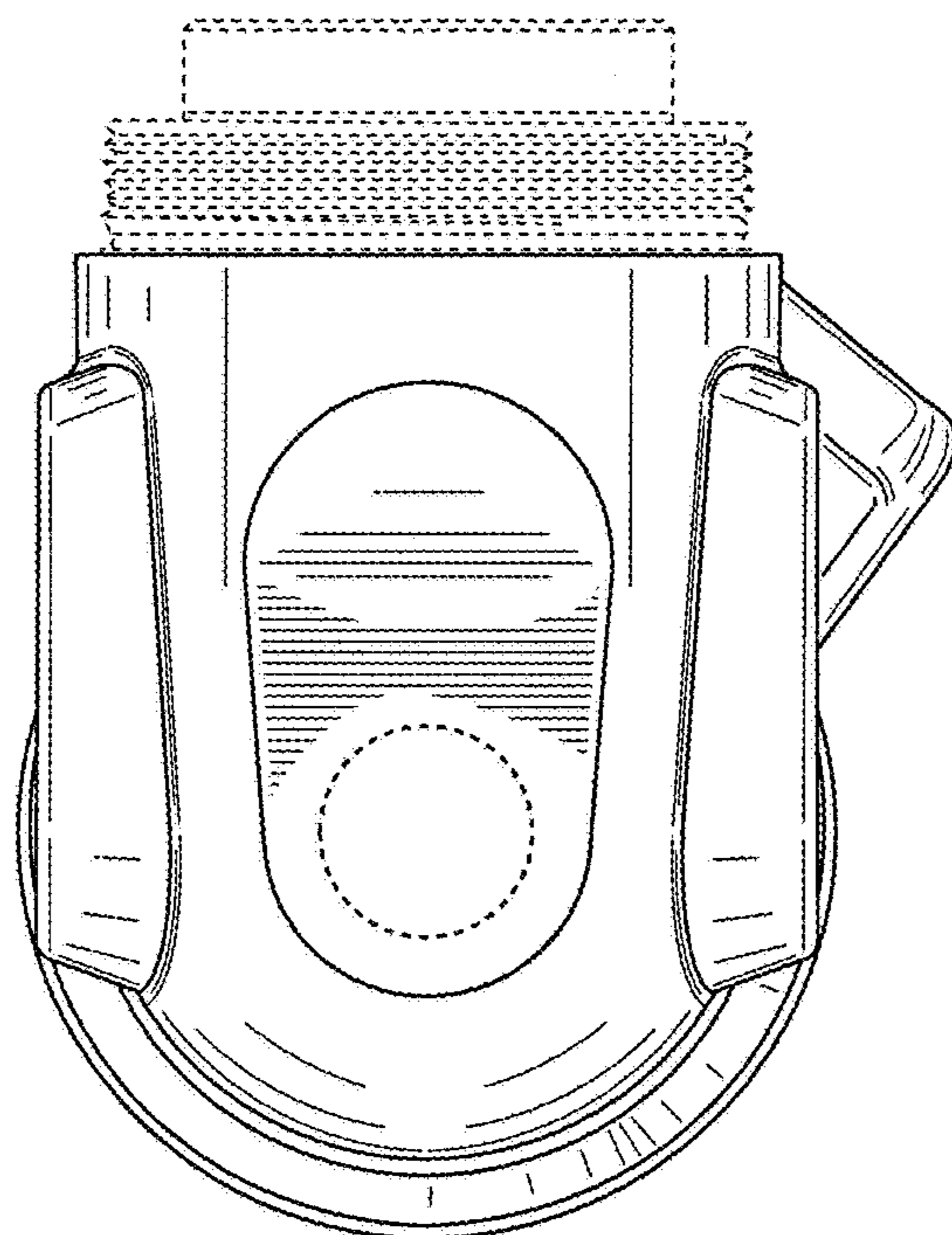


FIG. 12



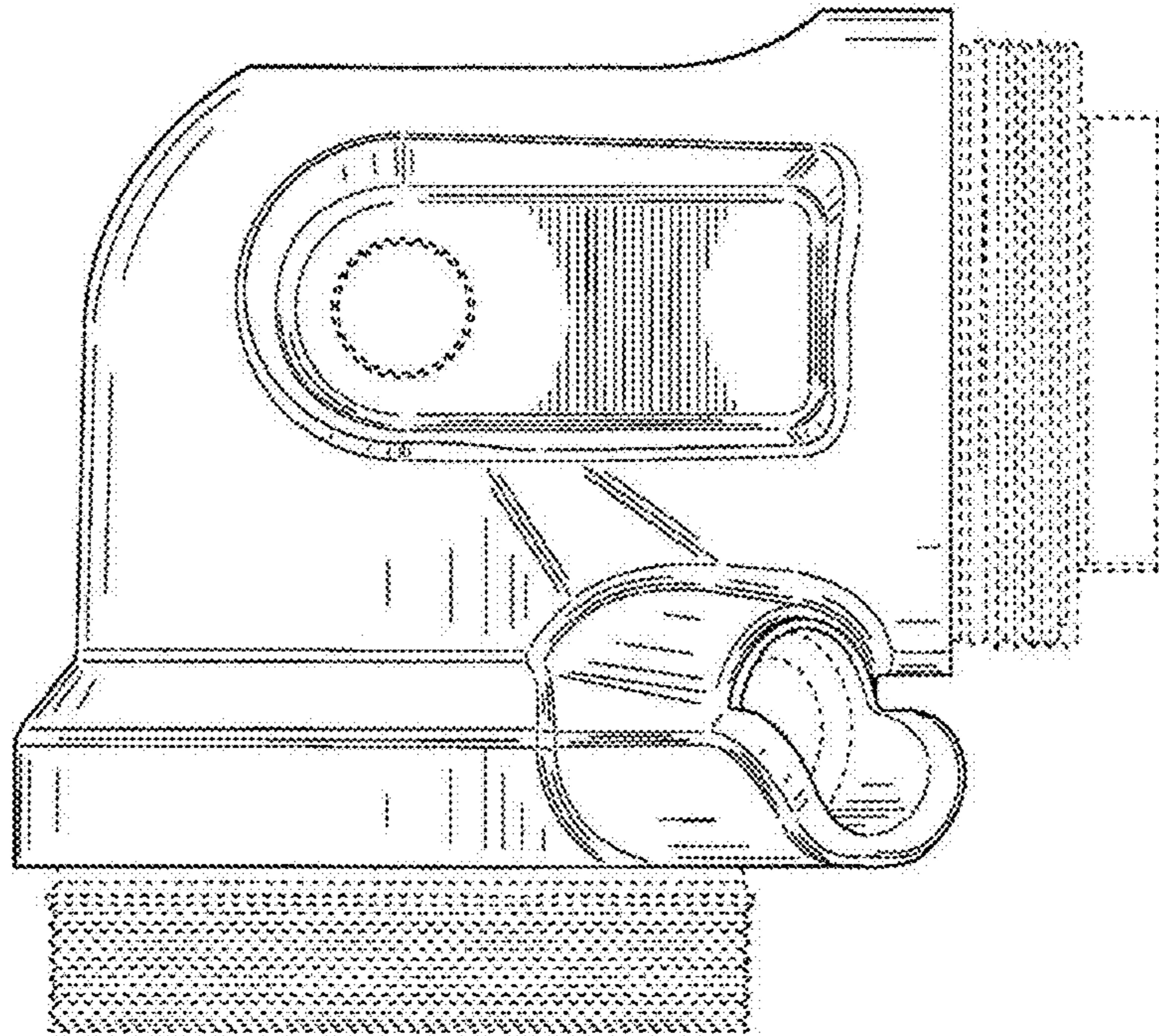


FIG. 13

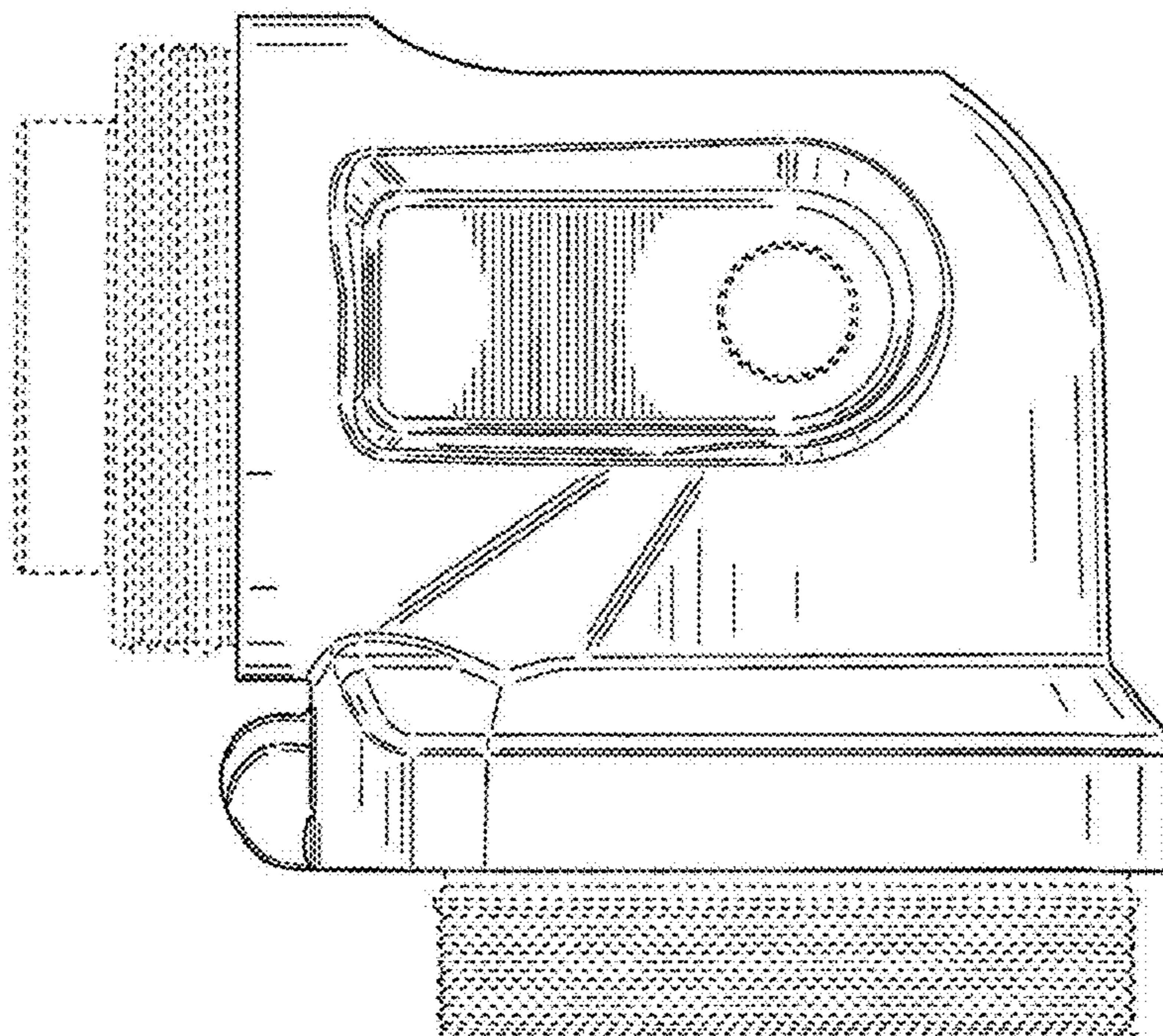


FIG. 14