



US00D694082S

(12) **United States Design Patent**  
**Wrobel**

(10) **Patent No.:** **US D694,082 S**

(45) **Date of Patent:** **\*\* Nov. 26, 2013**

(54) **BLOWER ATTACHMENT**

7,007,578 B2 3/2006 Miller  
D534,269 S \* 12/2006 Liang ..... D23/383  
D633,767 S \* 3/2011 Schudel ..... D8/70

(76) Inventor: **Henry J. Wrobel**, Canton, TX (US)

(\*\*) Term: **14 Years**

FOREIGN PATENT DOCUMENTS

(21) Appl. No.: **29/421,314**

DE 19602440 A1 \* 8/1996

(22) Filed: **Jul. 2, 2012**

\* cited by examiner

(51) **LOC (9) Cl.** ..... **08-03**

*Primary Examiner* — Philip S Hyder

(52) **U.S. Cl.**  
USPC ..... **D8/70**

*Assistant Examiner* — Darlington Ly

(58) **Field of Classification Search**  
USPC ..... D8/62, 64, 66, 70; D15/125, 126, 133,  
D15/140; 83/589, 663, 676; 408/61

(74) *Attorney, Agent, or Firm* — Paul R. Martin

See application file for complete search history.

(57) **CLAIM**

The ornamental design for a blower attachment, as shown and described.

**DESCRIPTION**

(56) **References Cited**

U.S. PATENT DOCUMENTS

|           |     |         |                       |          |
|-----------|-----|---------|-----------------------|----------|
| 98,013    | A   | 12/1869 | Barlow                |          |
| D285,132  | S * | 8/1986  | Smith et al. ....     | D32/15   |
| D311,406  | S * | 10/1990 | Hoepfner .....        | D15/17   |
| 5,084,971 | A * | 2/1992  | Remington et al. .... | 30/123   |
| D339,432  | S * | 9/1993  | Rakocy et al. ....    | D32/15   |
| D359,603  | S * | 6/1995  | Rakocy et al. ....    | D32/15   |
| D361,414  | S * | 8/1995  | Trautloff et al. .... | D32/15   |
| 5,539,985 | A * | 7/1996  | Wershe .....          | 30/123.3 |
| 5,642,766 | A   | 7/1997  | MacCauley, III        |          |
| 5,689,884 | A * | 11/1997 | Wershe .....          | 30/123.3 |
| 5,768,749 | A * | 6/1998  | Ohi et al. ....       | 15/405   |
| 5,826,477 | A   | 10/1998 | Brewer, Sr.           |          |
| D417,044  | S * | 11/1999 | Ohi et al. ....       | D32/15   |

FIG. 1 is a perspective view of the blower attachment of my new design.

FIG. 2 is a front elevational view thereof.

FIG. 3 is a top plan view thereof.

FIG. 4 is a back side elevational view thereof.

FIG. 5 is a bottom plan view thereof.

FIG. 6 is a left side view thereof.

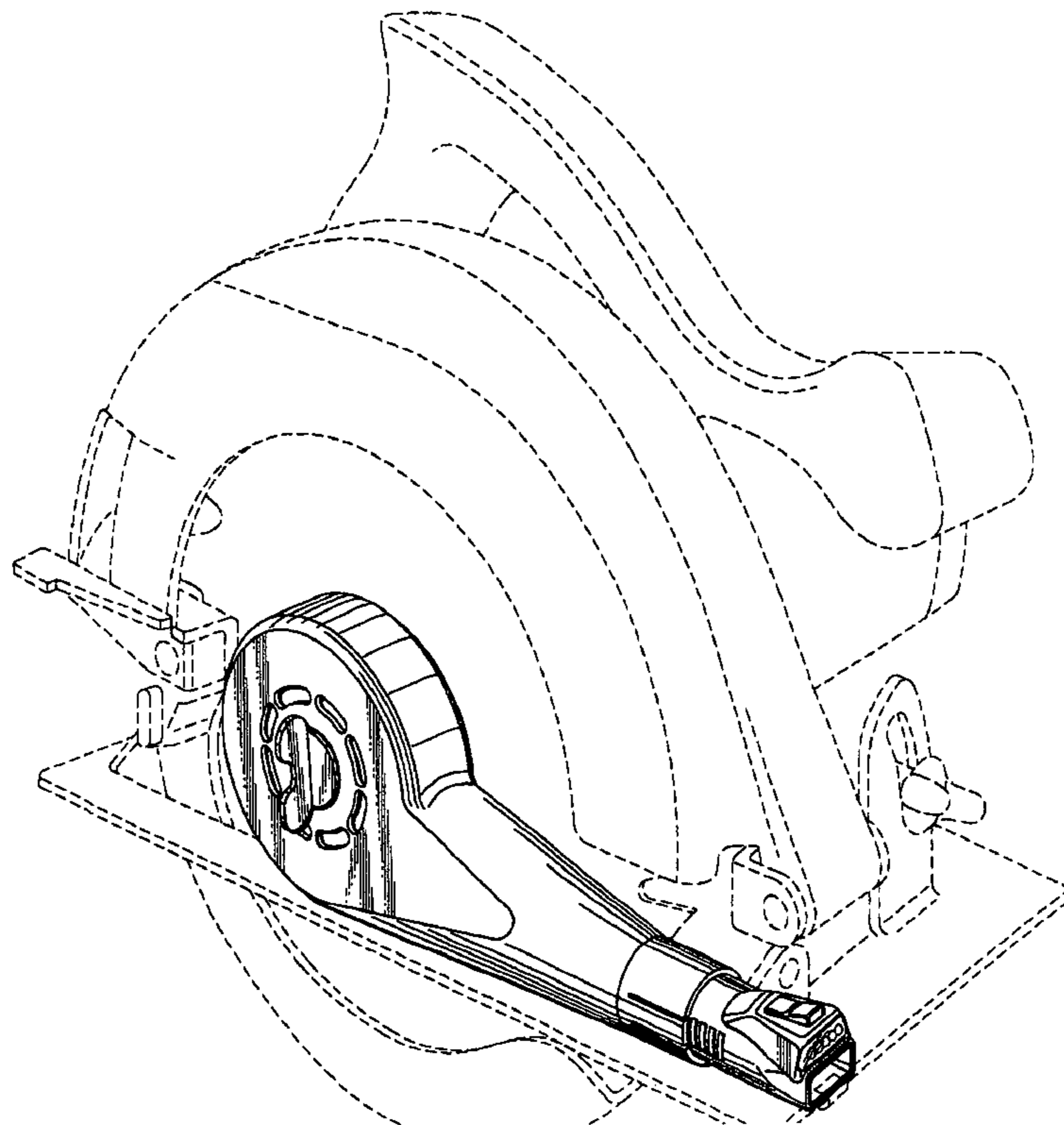
FIG. 7 is a right side view thereof.

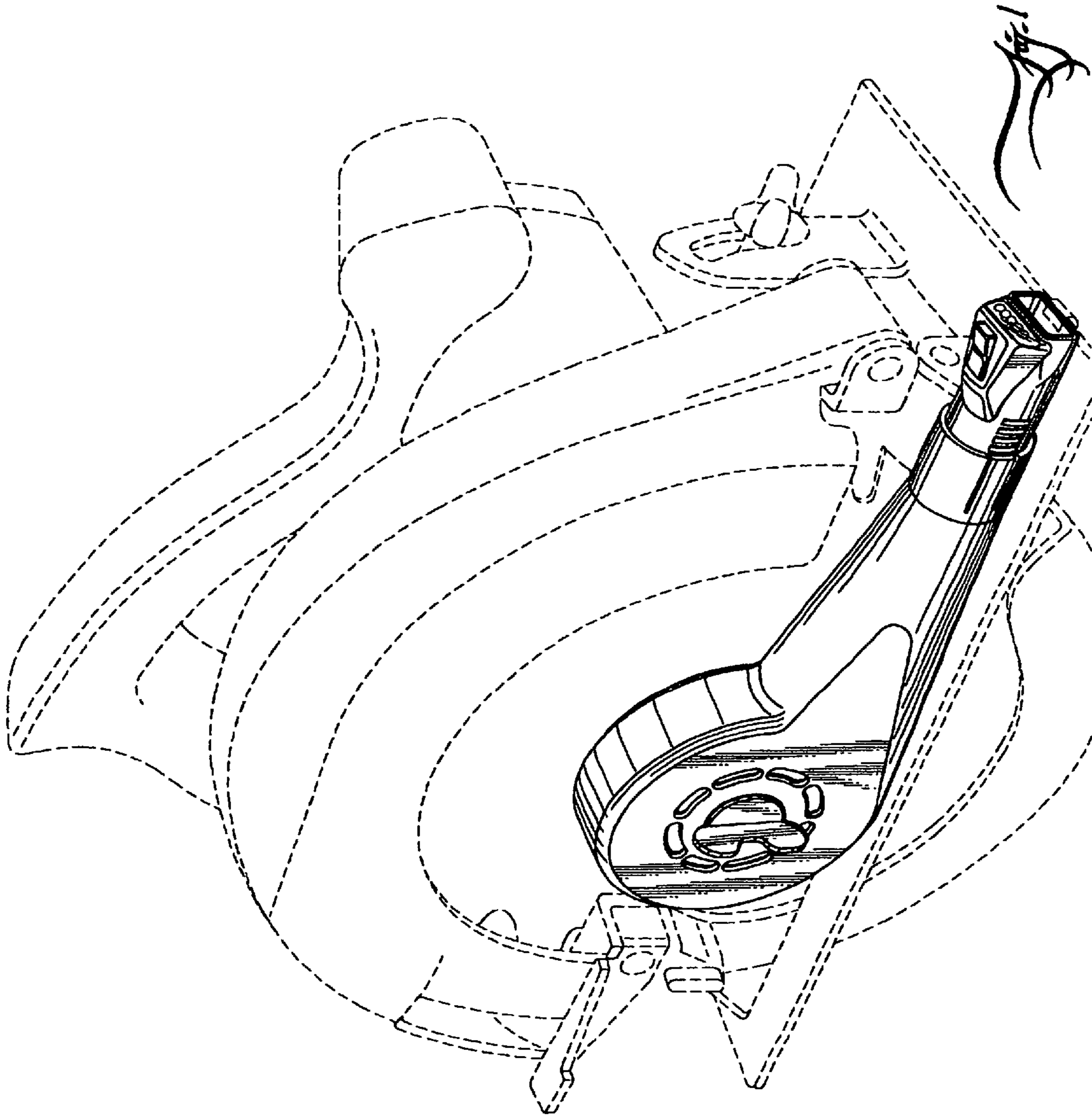
FIG. 8 is a cross sectional view of the blower attachment through line 8-8 of FIG. 3; and,

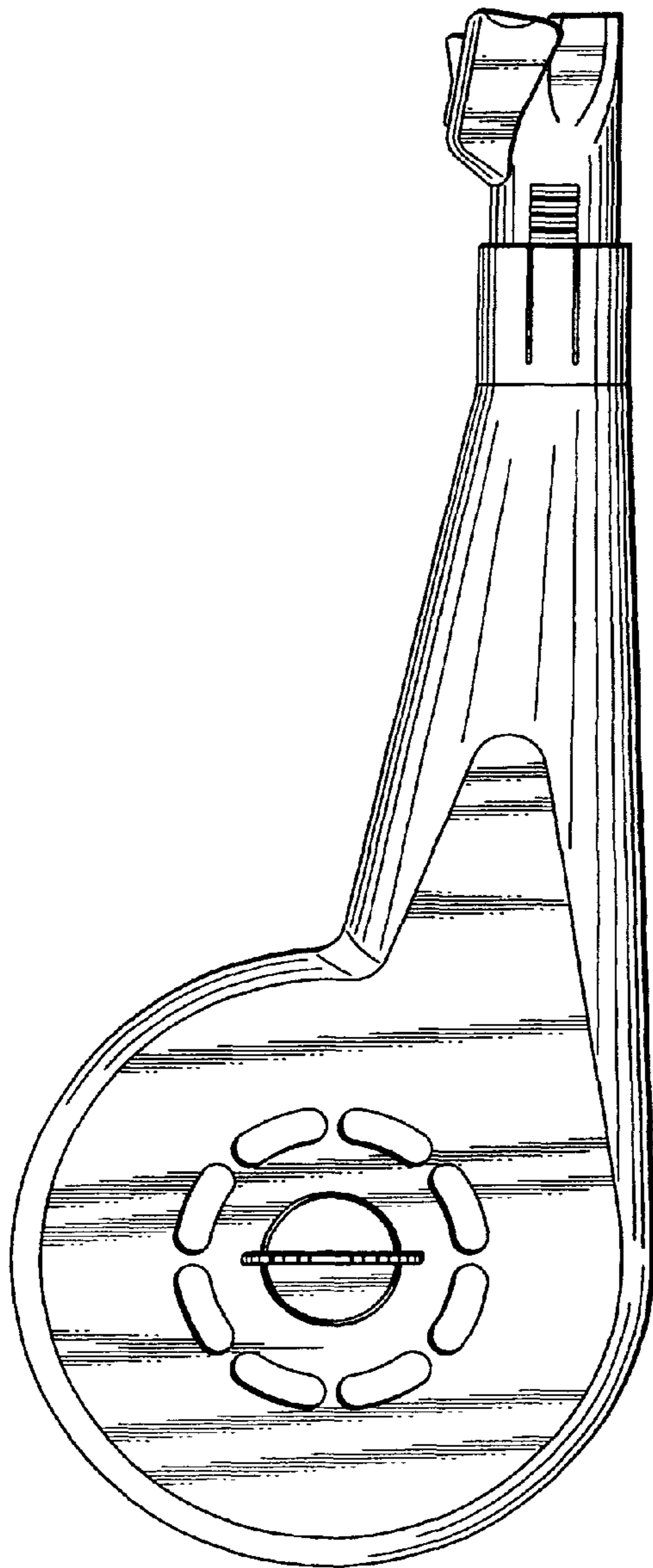
FIG. 9 is a view with parts broken away of the blower attachment along line 9-9 of FIG. 3.

The broken lines shown in the drawings illustrate portions of the blower attachment that forms no part of claimed design.

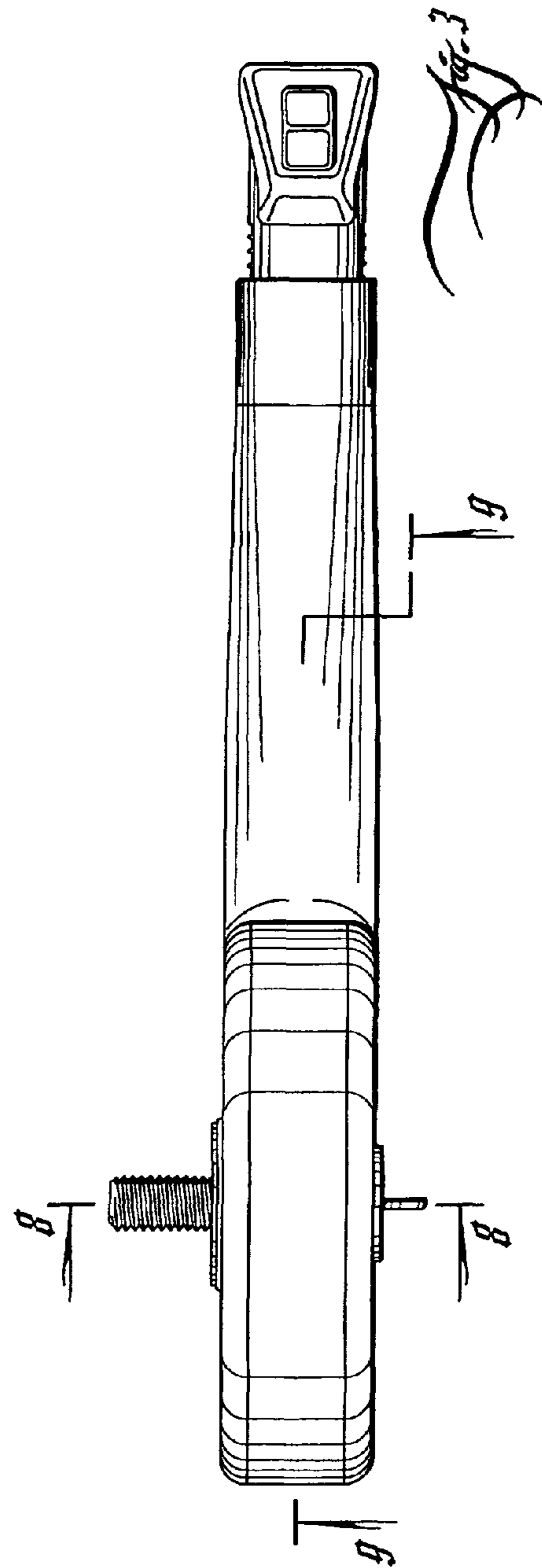
**1 Claim, 5 Drawing Sheets**



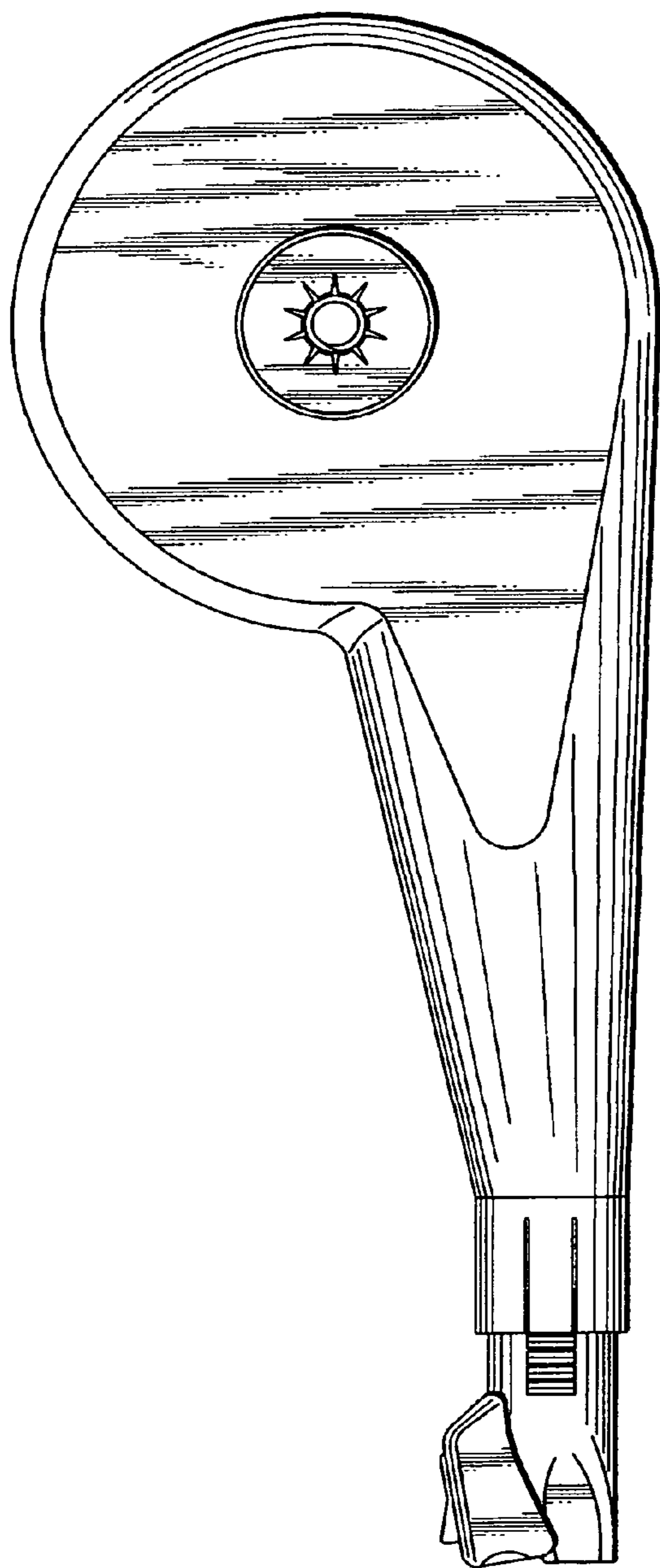




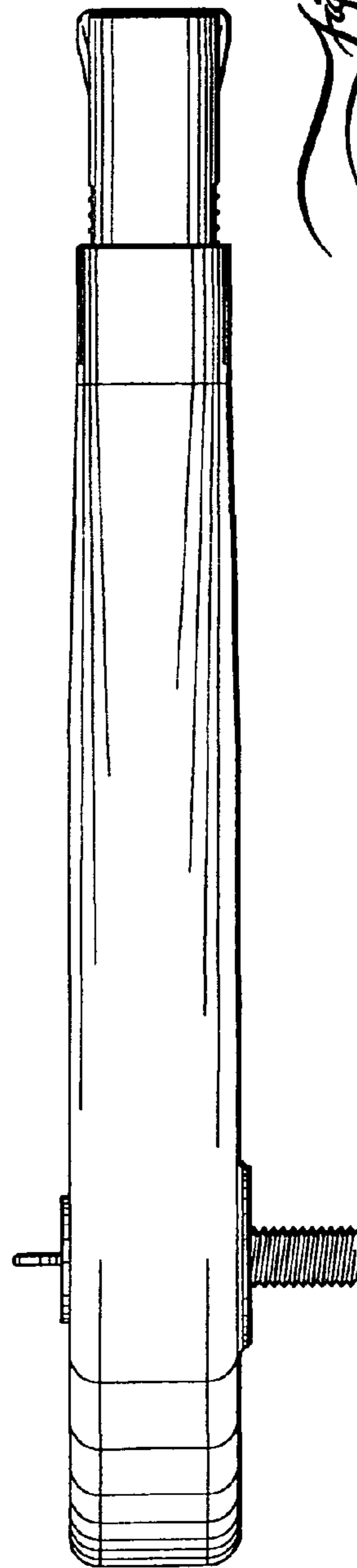
*Fig. 2*



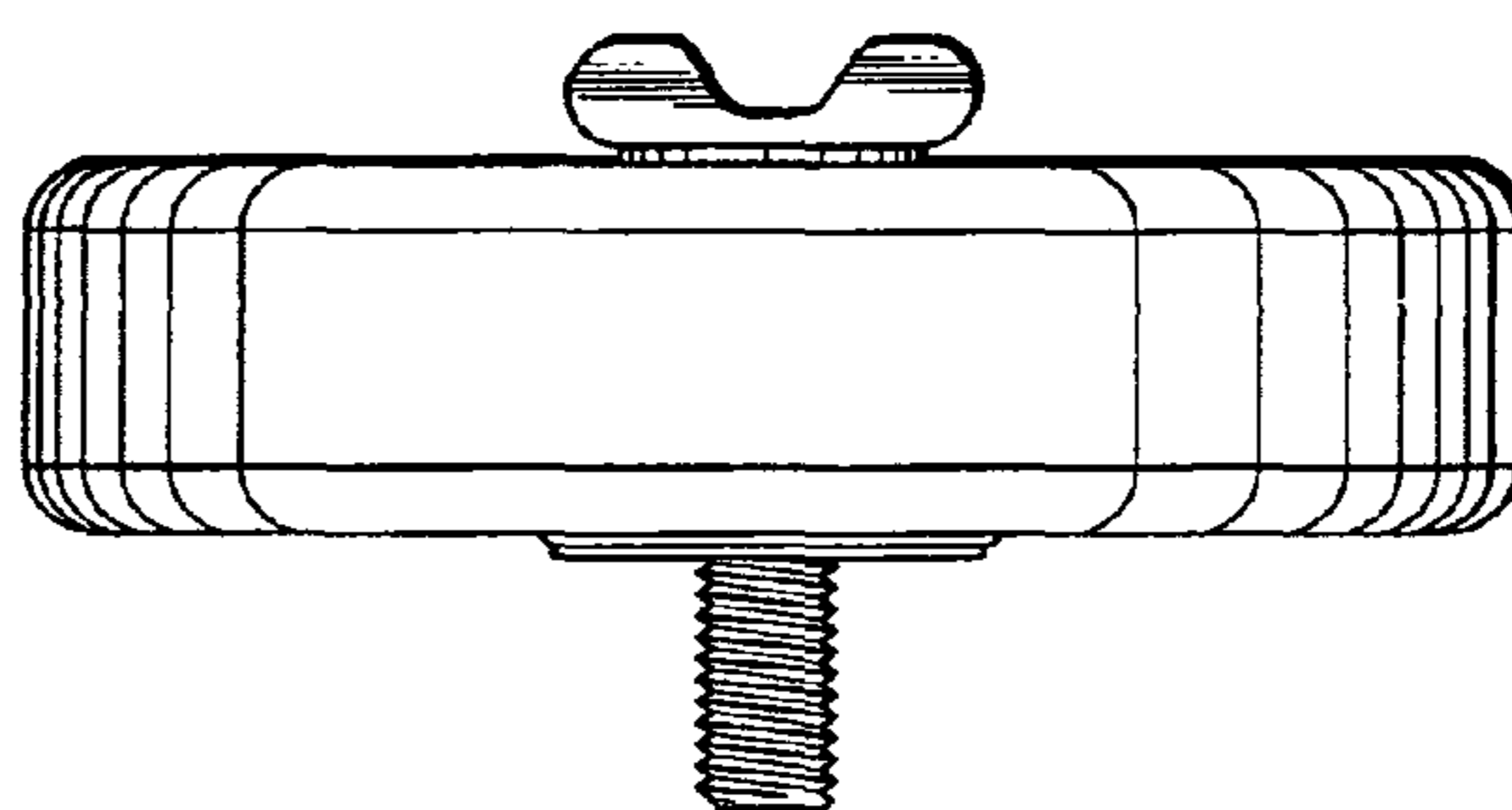
*Fig. 3*



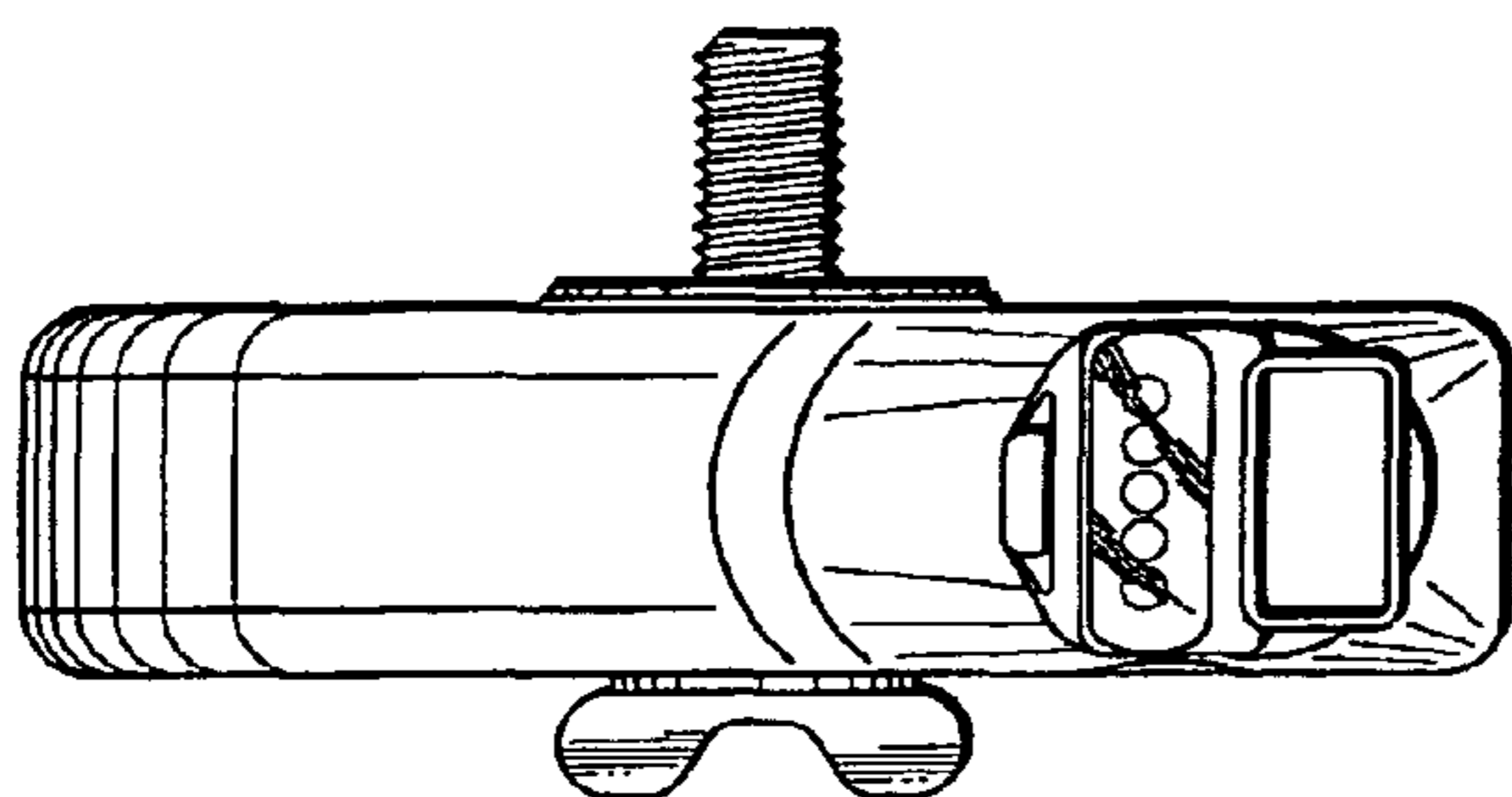
*Fig. 4*



*Fig. 5*



*fig. 7*



*fig. 6*

