



US00D694080S

(12) **United States Design Patent**
Simonin et al.

(10) **Patent No.:** **US D694,080 S**

(45) **Date of Patent:** **** Nov. 26, 2013**

(54) **POWERED HAND TOOL**

(75) Inventors: **Jean-Luc Simonin**, Barcelonne (FR);
Guy Jaillet, La Roche de Glun (FR)

(73) Assignee: **Illinois Tool Works**, Glenview, IL (US)

(**) Term: **14 Years**

(21) Appl. No.: **29/393,133**

(22) Filed: **May 31, 2011**

(30) **Foreign Application Priority Data**

Apr. 21, 2011 (EP) 001854696-0001
Apr. 21, 2011 (EP) 001854696-0002
Apr. 21, 2011 (EP) 001854696-0003
Apr. 21, 2011 (EP) 001854696-0004
Apr. 21, 2011 (EP) 001854696-0005
Apr. 21, 2011 (EP) 001854696-0006

(51) **LOC (9) Cl.** **08-05**

(52) **U.S. Cl.**
USPC **D8/69**

(58) **Field of Classification Search**
USPC D8/61, 68, 69; 227/8, 10, 19, 107, 109,
227/110, 111, 120, 130, 134, 135, 141,
227/142; 60/632
See application file for complete search history.

(56) **References Cited**

U.S. PATENT DOCUMENTS

D307,234 S * 4/1990 Fushiya et al. D8/69
6,612,476 B2 * 9/2003 Smolinski 227/120
D491,036 S * 6/2004 Wang D8/69
D497,299 S * 10/2004 Matsuoka et al. D8/69
D500,654 S * 1/2005 Leasure et al. D8/69
D500,655 S * 1/2005 Leasure D8/69

6,929,165 B1 * 8/2005 Chen et al. 227/8
D509,418 S * 9/2005 Leasure D8/68
D514,412 S * 2/2006 Lawrence et al. D8/68
D526,552 S * 8/2006 Tsuzuki et al. D8/69
D527,972 S * 9/2006 Leasure et al. D8/69
D549,062 S * 8/2007 Buck D8/69
D586,196 S * 2/2009 Kosugi et al. D8/69
D606,378 S * 12/2009 Okuda et al. D8/69
D631,316 S * 1/2011 Krumpe et al. D8/69
7,980,439 B2 * 7/2011 Akiba et al. 227/8
8,235,270 B2 * 8/2012 Gosis et al. 227/19
2006/0273132 A1 * 12/2006 Leasure et al. 227/120
2011/0240709 A1 * 10/2011 Oouchi 227/8
2011/0303721 A1 * 12/2011 Miescher et al. 227/110
2011/0315736 A1 * 12/2011 Leimbach et al. 227/8

* cited by examiner

Primary Examiner — Phillip S Hyder

(74) *Attorney, Agent, or Firm* — Finnegan, Henderson, Farabow, Garrett and Dunner, LLP

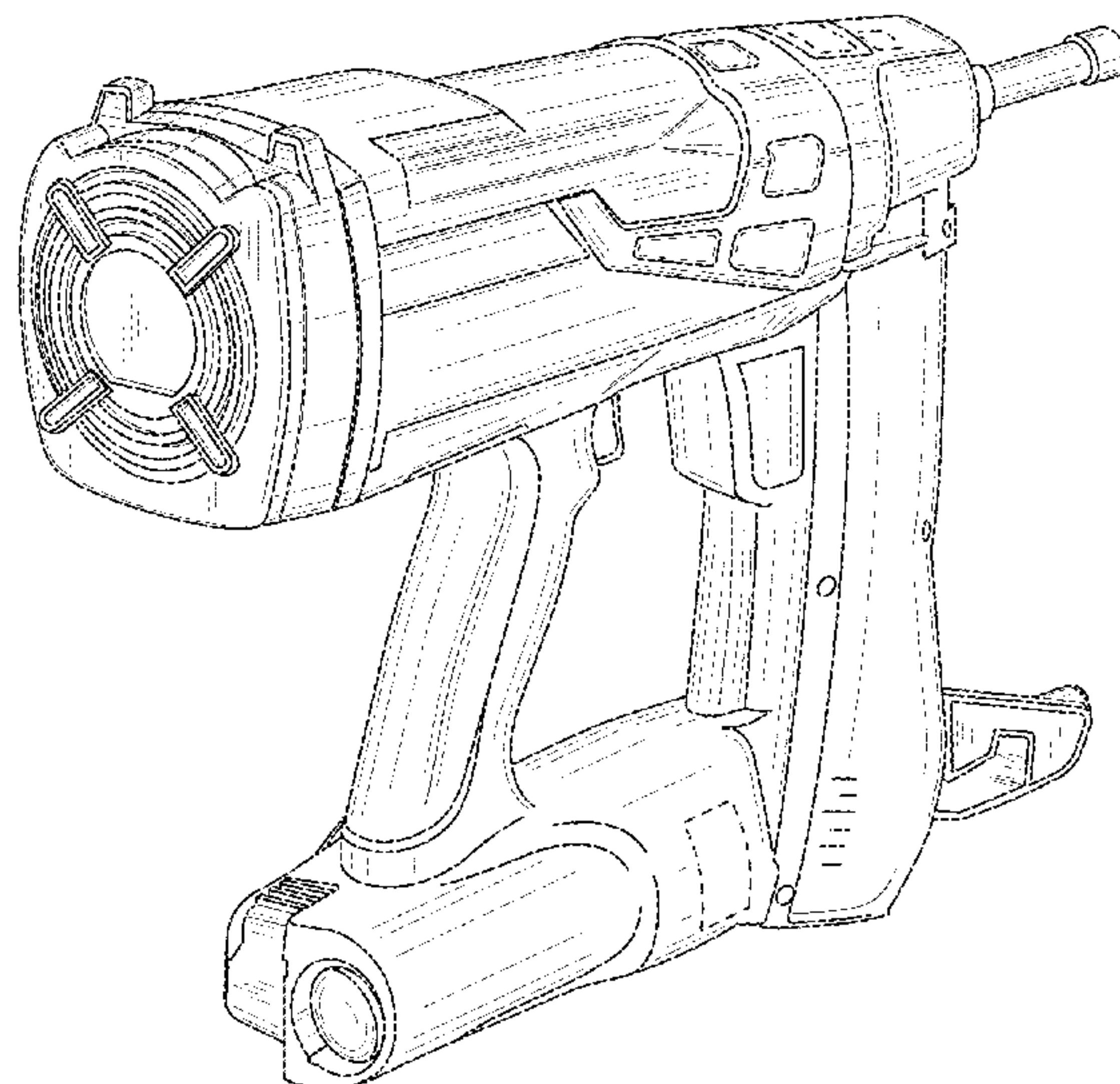
(57) **CLAIM**

The ornamental design for a powered hand tool, as shown and described.

DESCRIPTION

FIG. 1 is a right rear perspective view of a powered hand tool of our new design;
FIG. 2 is a right side view thereof;
FIG. 3 is a left side view thereof;
FIG. 4 is a front view thereof;
FIG. 5 is a rear view thereof;
FIG. 6 is a bottom plan view thereof;
FIG. 7 is a top plan view thereof;
FIG. 8 is a rear left perspective view thereof; and,
FIG. 9 is a front left perspective view thereof.
The broken lines define the boundaries of the unclaimed areas of the powered hand tool.

1 Claim, 7 Drawing Sheets



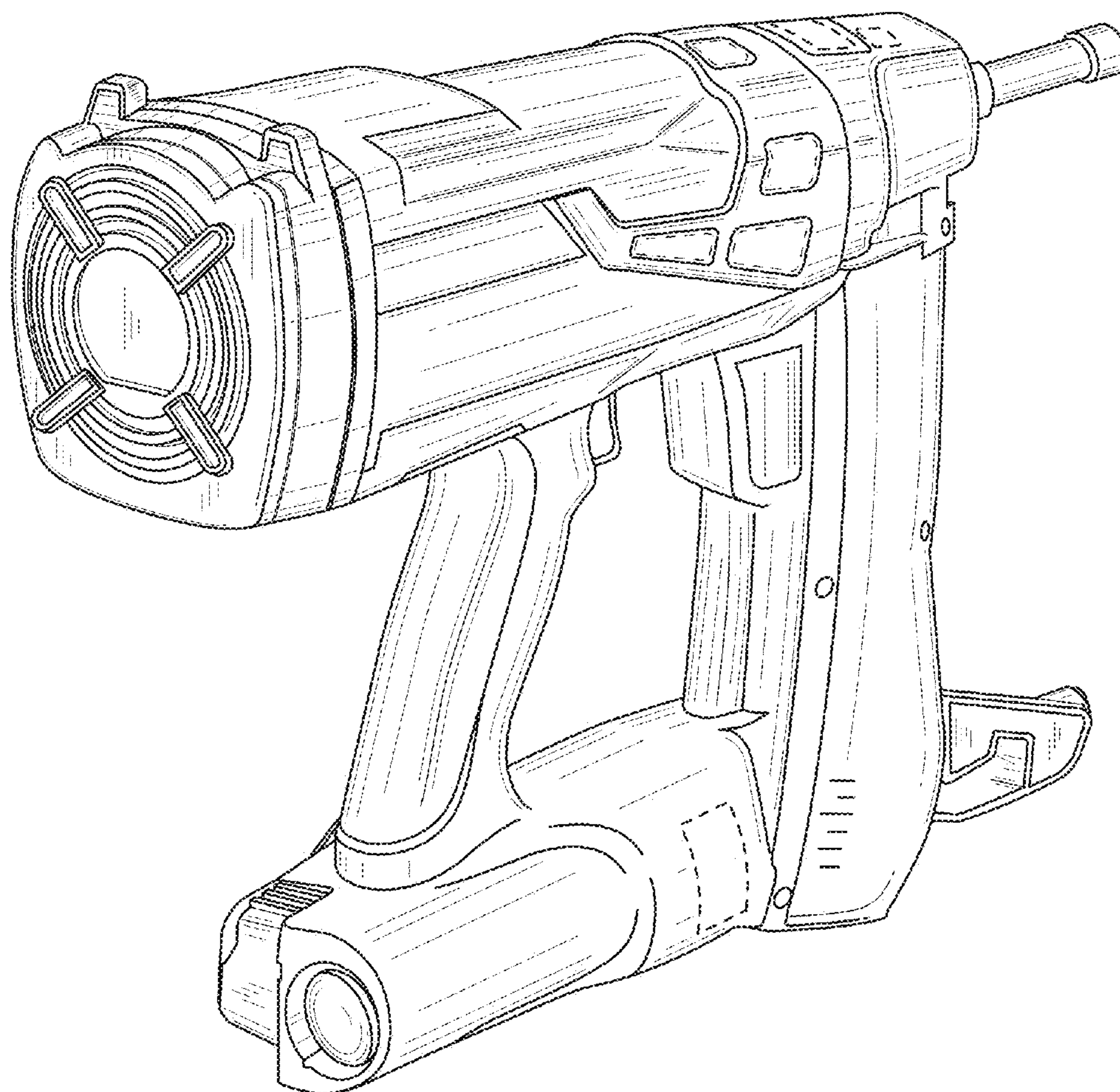


FIG. 1

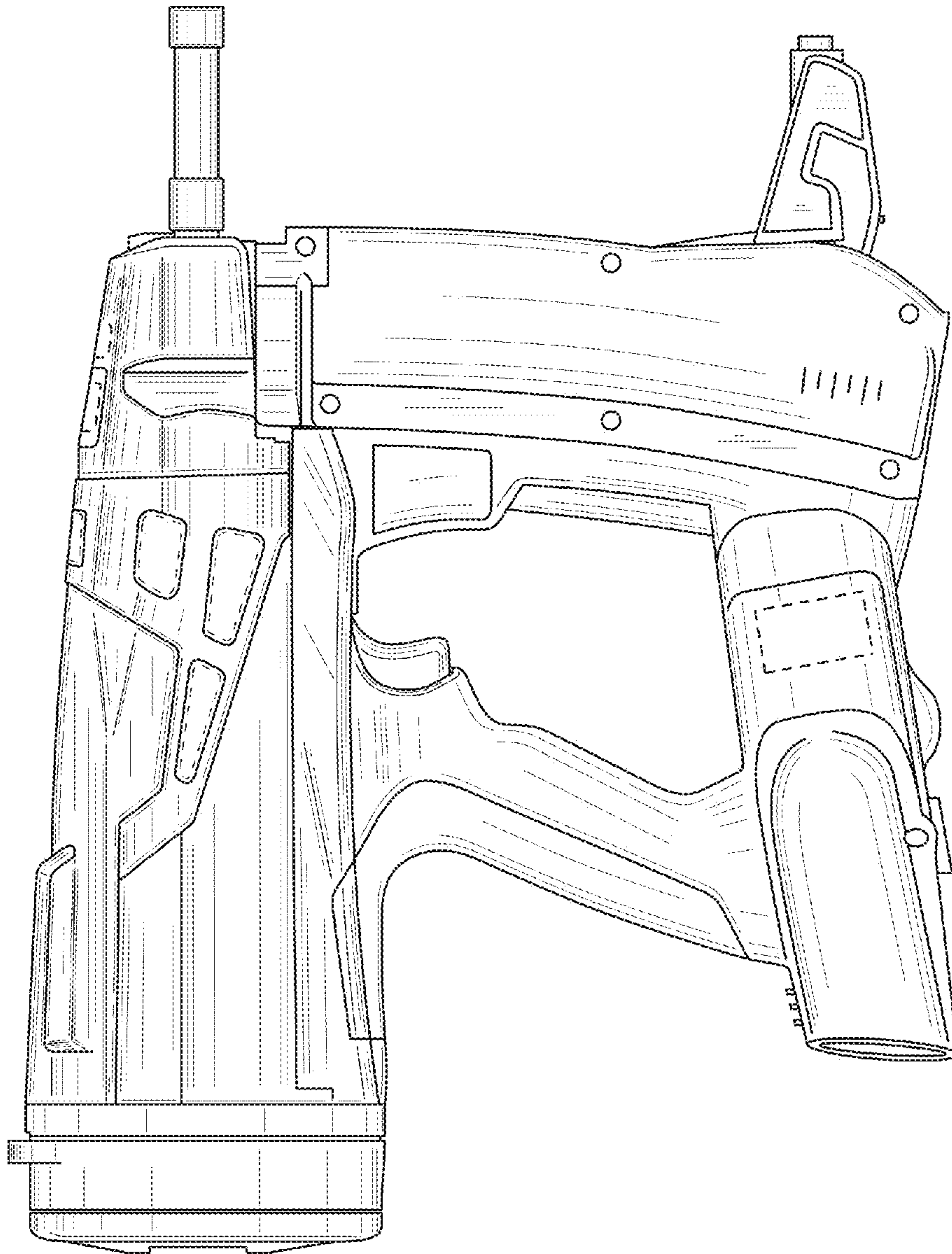


FIG. 2

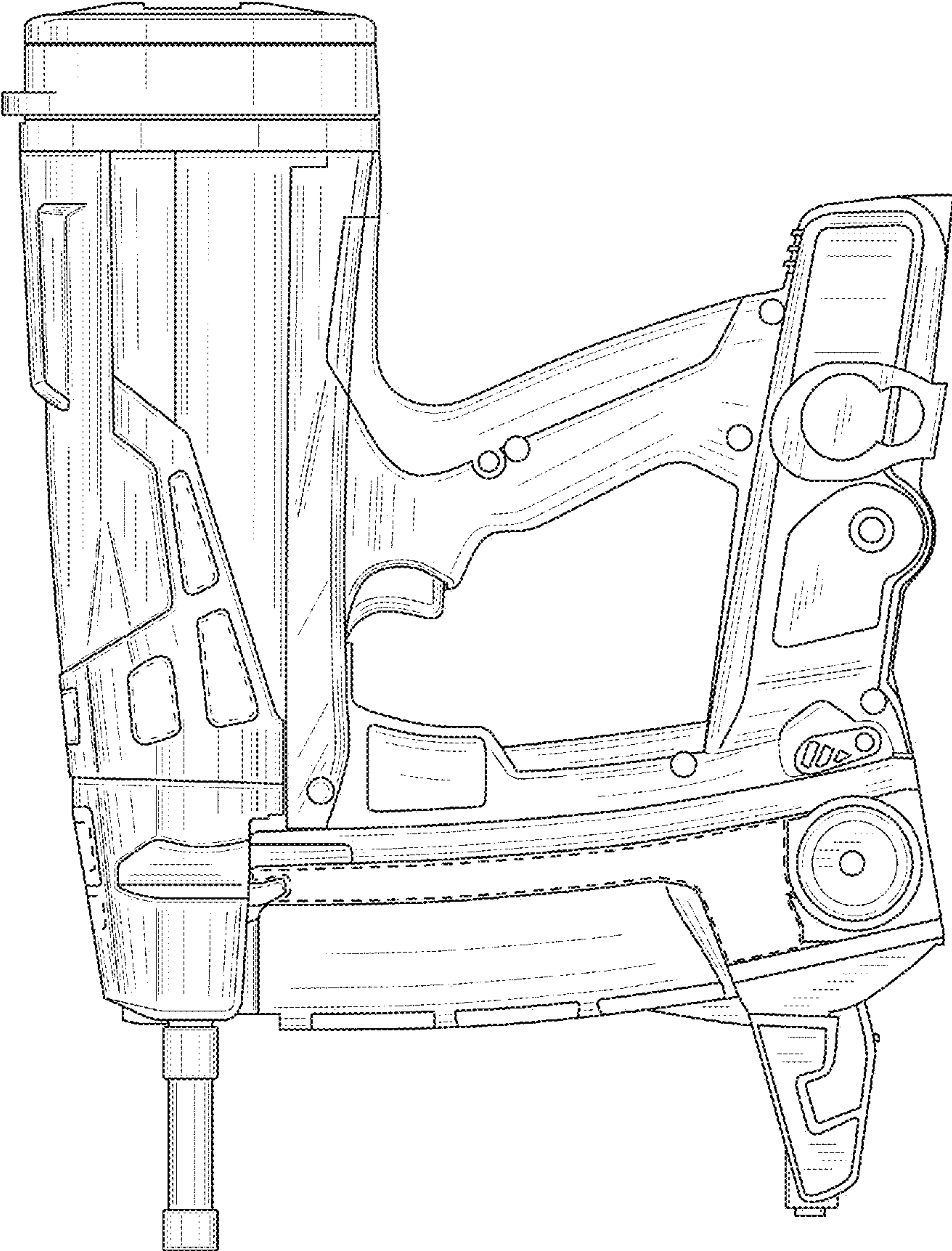


FIG. 3

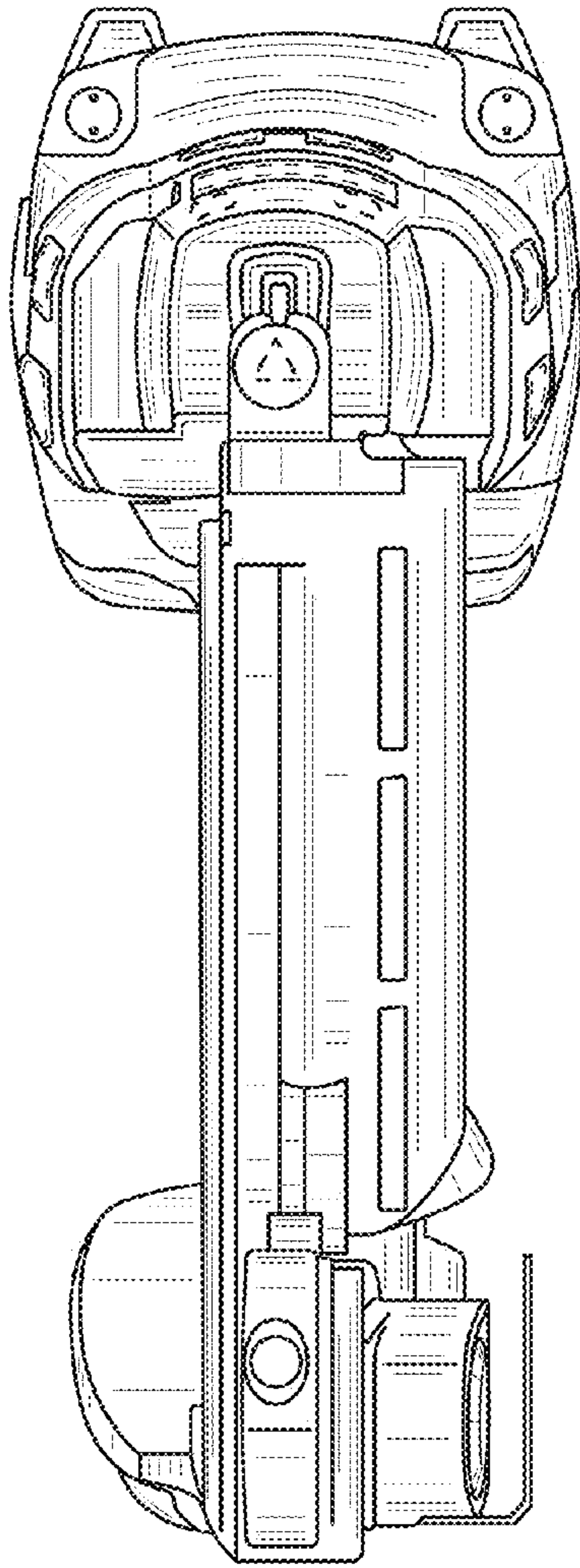


FIG. 4

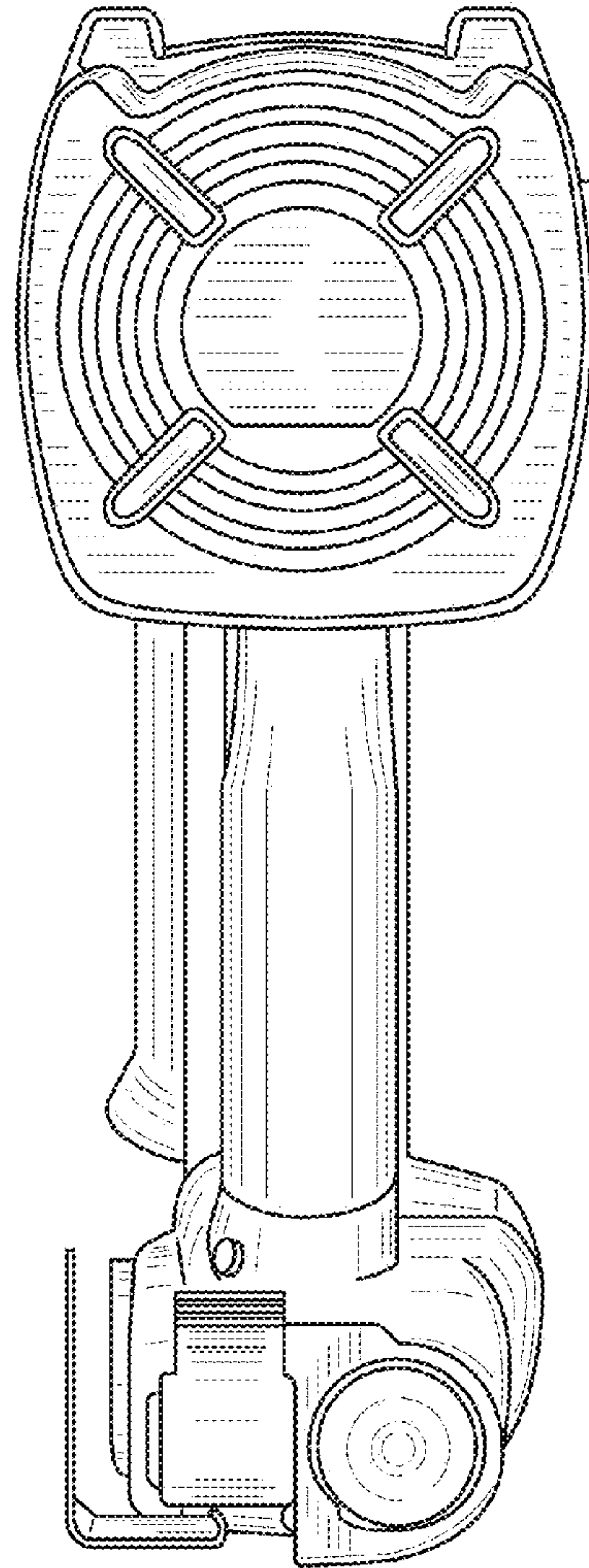


FIG. 5

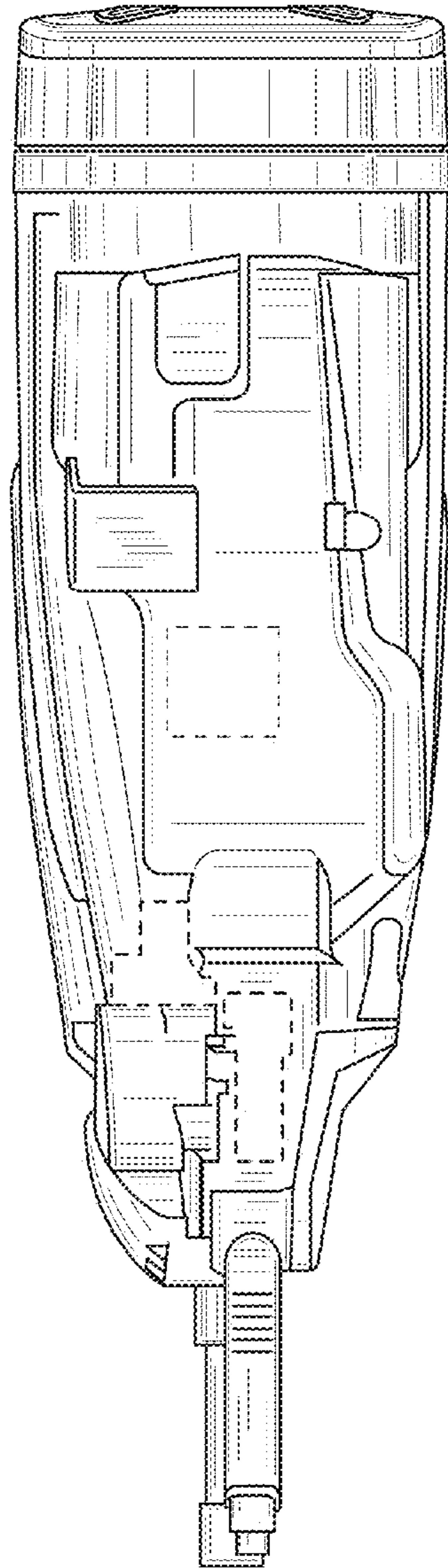


FIG. 6

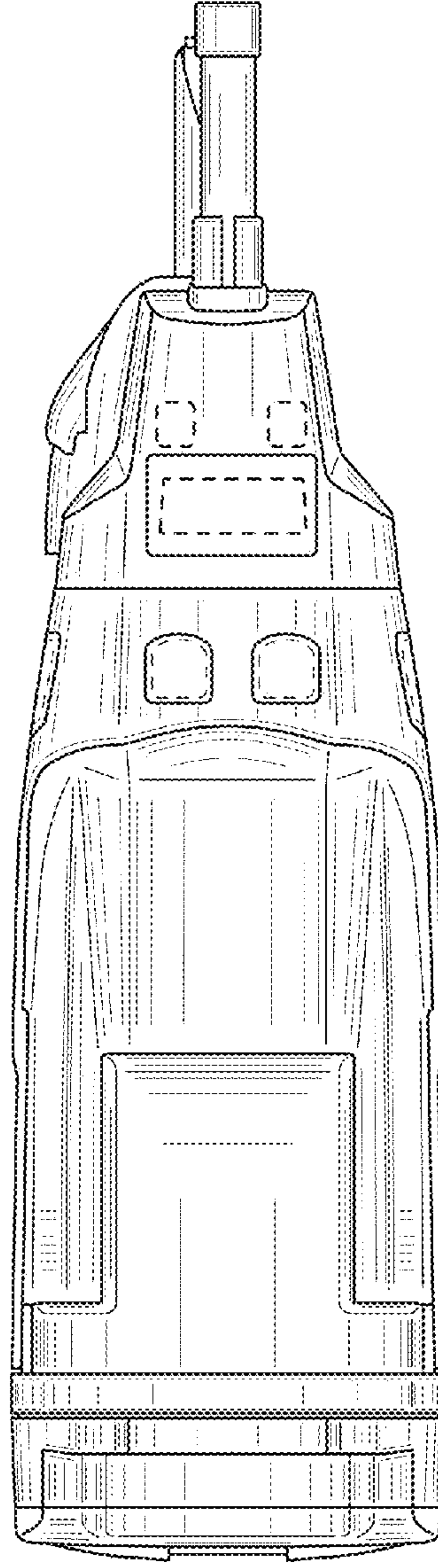


FIG. 7

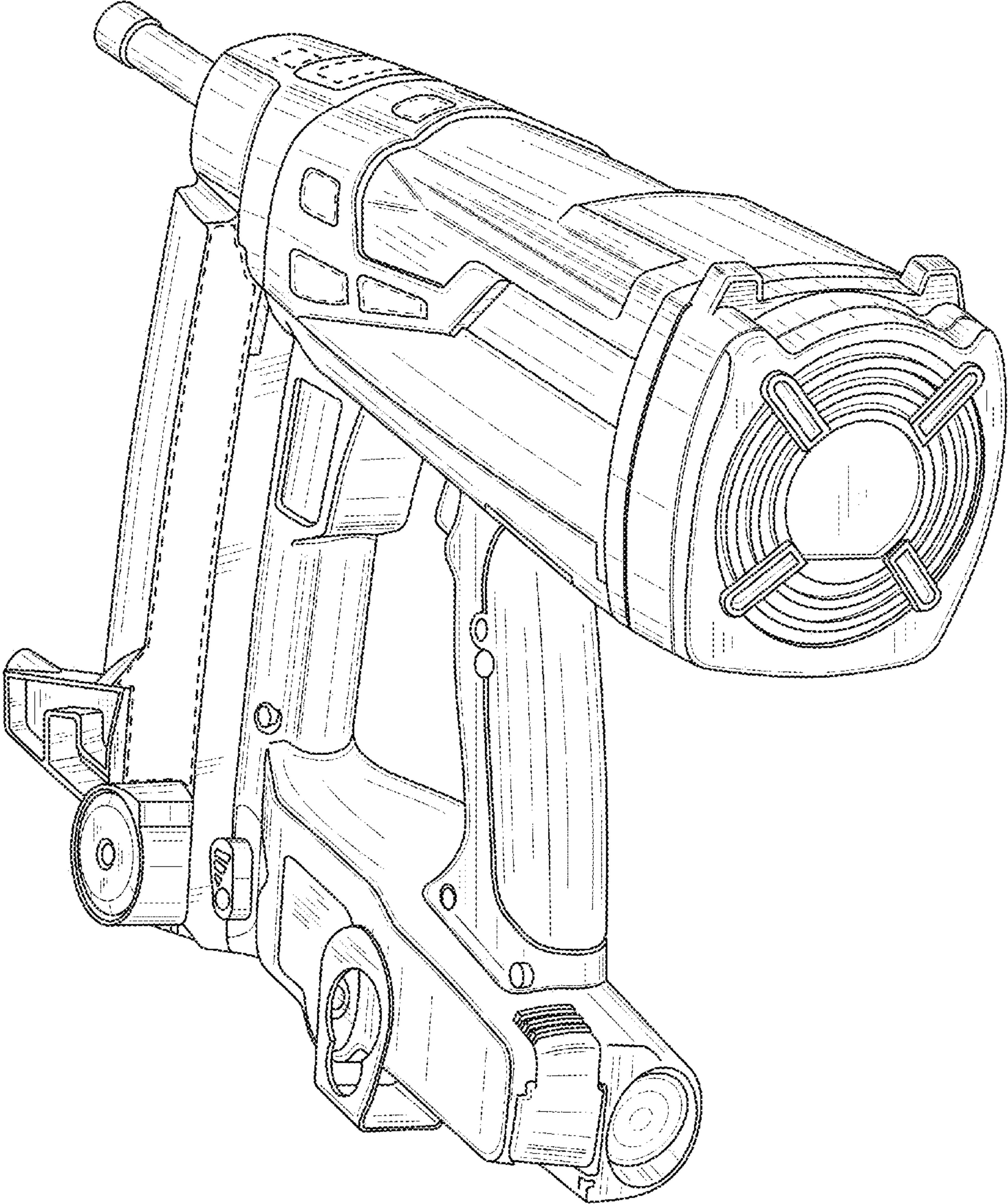


FIG. 8

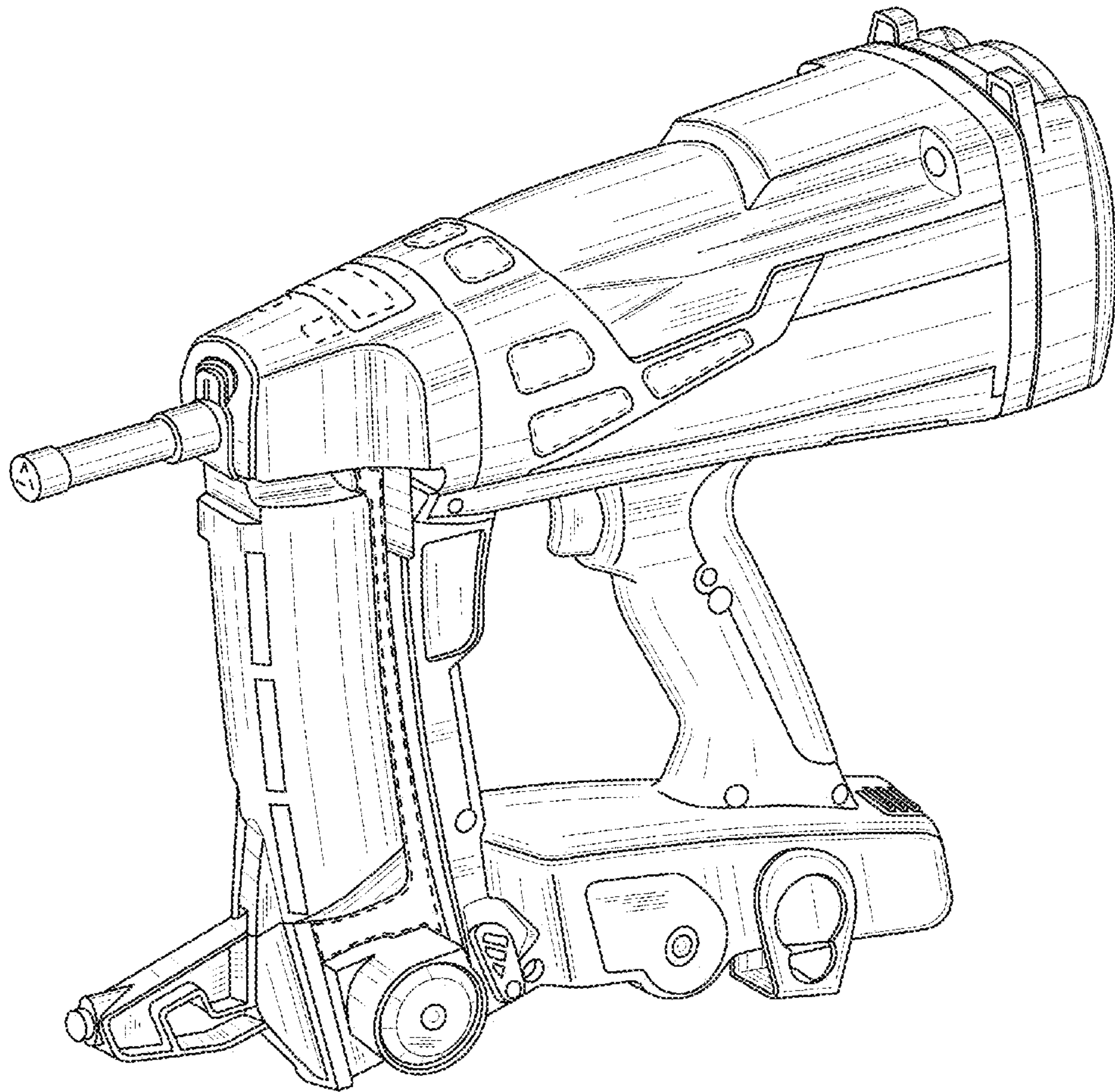


FIG. 9