



US00D694079S

(12) **United States Design Patent**
Cunningham et al.

(10) **Patent No.:** **US D694,079 S**

(45) **Date of Patent:** **** Nov. 26, 2013**

- (54) **STAPLER COVER**
- (71) Applicant: **ACCO Brands Corporation**,
Lincolnshire, IL (US)
- (72) Inventors: **Christopher Cunningham**, Mundelein,
IL (US); **Samuel Bradley**, Mundelein,
IL (US); **Zhe Shen**, Palatine, IL (US)
- (73) Assignee: **ACCO Brands Corporation**, Lake
Zurich, IL (US)
- (**) Term: **14 Years**
- (21) Appl. No.: **29/448,186**
- (22) Filed: **Mar. 11, 2013**
- (51) **LOC (9) Cl.** **19-02**
- (52) **U.S. Cl.**
USPC **D8/50**
- (58) **Field of Classification Search**
USPC D8/48, 49, 50, 61, 68, 69, 70; D19/72,
D19/73, 65, 69; D21/532; D24/145; 7/158,
7/160; 227/4, 5, 6, 7, 8, 120, 127, 128,
227/131, 132, 134, 144, 156, 175.1;
606/139, 143, 153, 219
See application file for complete search history.

D305,398 S	1/1990	Olesen	
D308,324 S *	6/1990	Oliver	D8/50
D308,930 S *	7/1990	Leszczak et al.	D8/50
D320,147 S	9/1991	Mayo et al.	
D330,317 S *	10/1992	Jacober et al.	D8/50
D331,002 S *	11/1992	Oliver	D8/50
D331,178 S	11/1992	Bain et al.	
D340,847 S	11/1993	Bain et al.	
D392,528 S	3/1998	Rossetto et al.	
D401,825 S	12/1998	Parsey et al.	
D413,239 S	8/1999	Lovegrove et al.	
D414,999 S	10/1999	Wilson et al.	
D416,454 S	11/1999	Lovegrove et al.	
D420,266 S	2/2000	Berry et al.	
D422,862 S	4/2000	Wilson et al.	
D424,898 S	5/2000	Wilson et al.	
D447,676 S	9/2001	Wilson et al.	
D470,025 S	2/2003	Joss et al.	
D478,486 S	8/2003	Scola et al.	

(Continued)

Primary Examiner — Austin Murphy

(74) *Attorney, Agent, or Firm* — Michael Best & Friedrich LLP

(57) **CLAIM**

We claim the ornamental design for a stapler cover, as shown and described.

DESCRIPTION

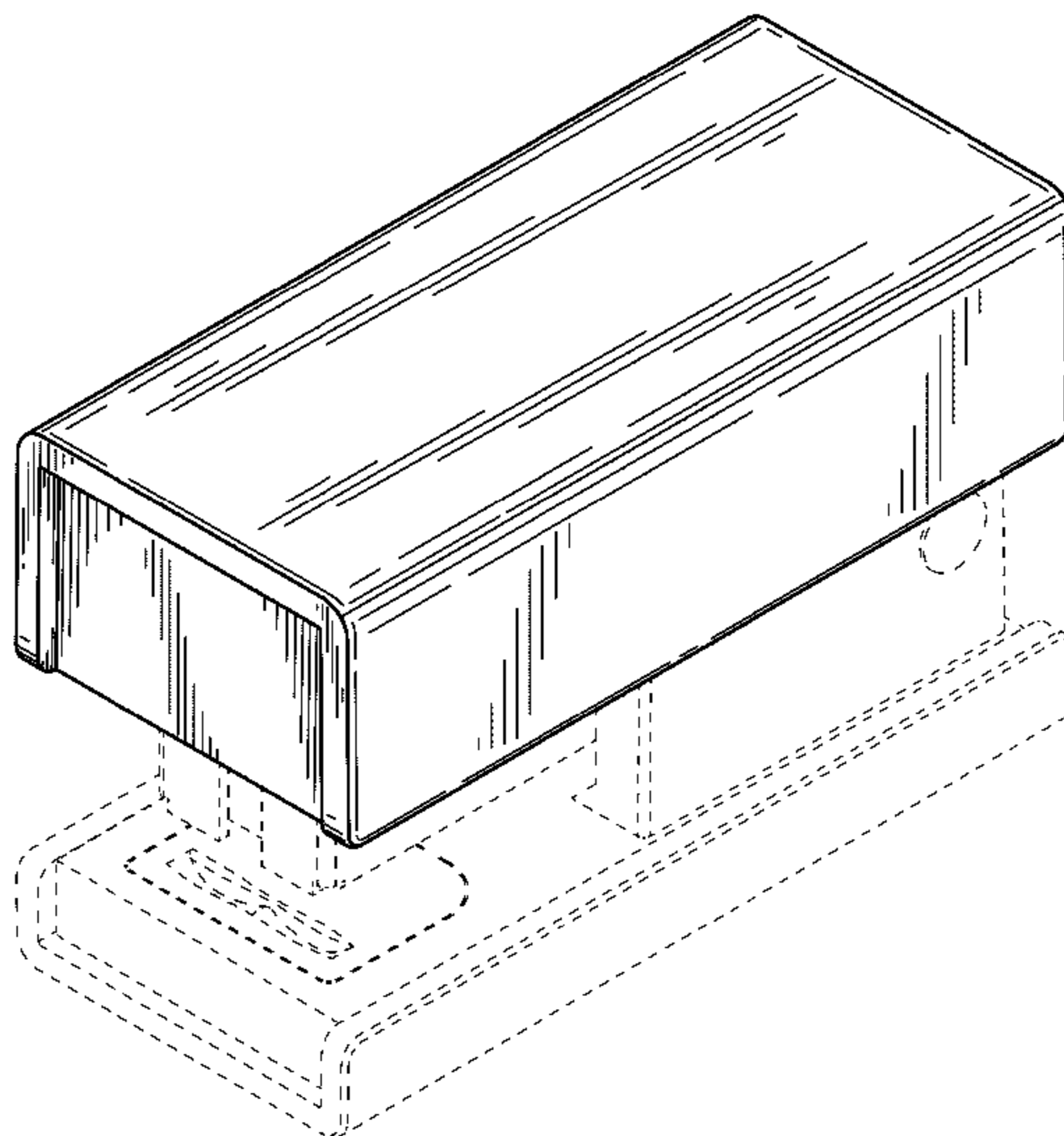
FIG. 1 is a left-side perspective view, taken from the front, of a stapler cover embodying the present invention.
 FIG. 2 is a left-side view of the stapler cover.
 FIG. 3 is a top view of the stapler cover.
 FIG. 4 is a front view of the stapler cover; and,
 FIG. 5 is a rear view of the stapler cover.
 The portions of the stapler shown in broken lines illustrate environment and form no part of the claimed design. The right-side view opposite FIG. 2 is a mirror image of FIG. 2 and is not shown.

1 Claim, 3 Drawing Sheets

(56) **References Cited**

U.S. PATENT DOCUMENTS

D230,520 S *	2/1974	Dahle	D8/51
D233,306 S	10/1974	Power	
D234,937 S	4/1975	Olney et al.	
D243,148 S	1/1977	Levin	
D244,253 S	5/1977	Power et al.	
D248,920 S	8/1978	Jalk et al.	
D251,962 S	5/1979	Power	
D277,161 S *	1/1985	Miller et al.	D8/49
D277,162 S	1/1985	Power	
D304,903 S *	12/1989	Leszczak et al.	D8/50



(56)

References Cited

U.S. PATENT DOCUMENTS

D502,850 S 3/2005 Sauter et al.
D502,851 S 3/2005 Sauter et al.
D503,877 S 4/2005 Adams et al.
D511,283 S 11/2005 Sauter et al.
D514,904 S 2/2006 Sauter et al.
D530,578 S 10/2006 Sauter et al.
D531,470 S 11/2006 Kirby et al.
D557,092 S 12/2007 Harris et al.

D567,609 S 4/2008 Sudmalis et al.
D572,549 S 7/2008 Sudmalis et al.
D574,682 S 8/2008 Cunningham et al.
D574,683 S 8/2008 Cunningham et al.
D576,004 S 9/2008 Cunningham et al.
D578,850 S 10/2008 Cunningham et al.
D579,294 S 10/2008 Cunningham et al.
D579,295 S 10/2008 Cunningham et al.
D581,230 S 11/2008 Cunningham et al.
D587,976 S 3/2009 Cunningham et al.
D597,391 S 8/2009 Cunningham et al.

* cited by examiner

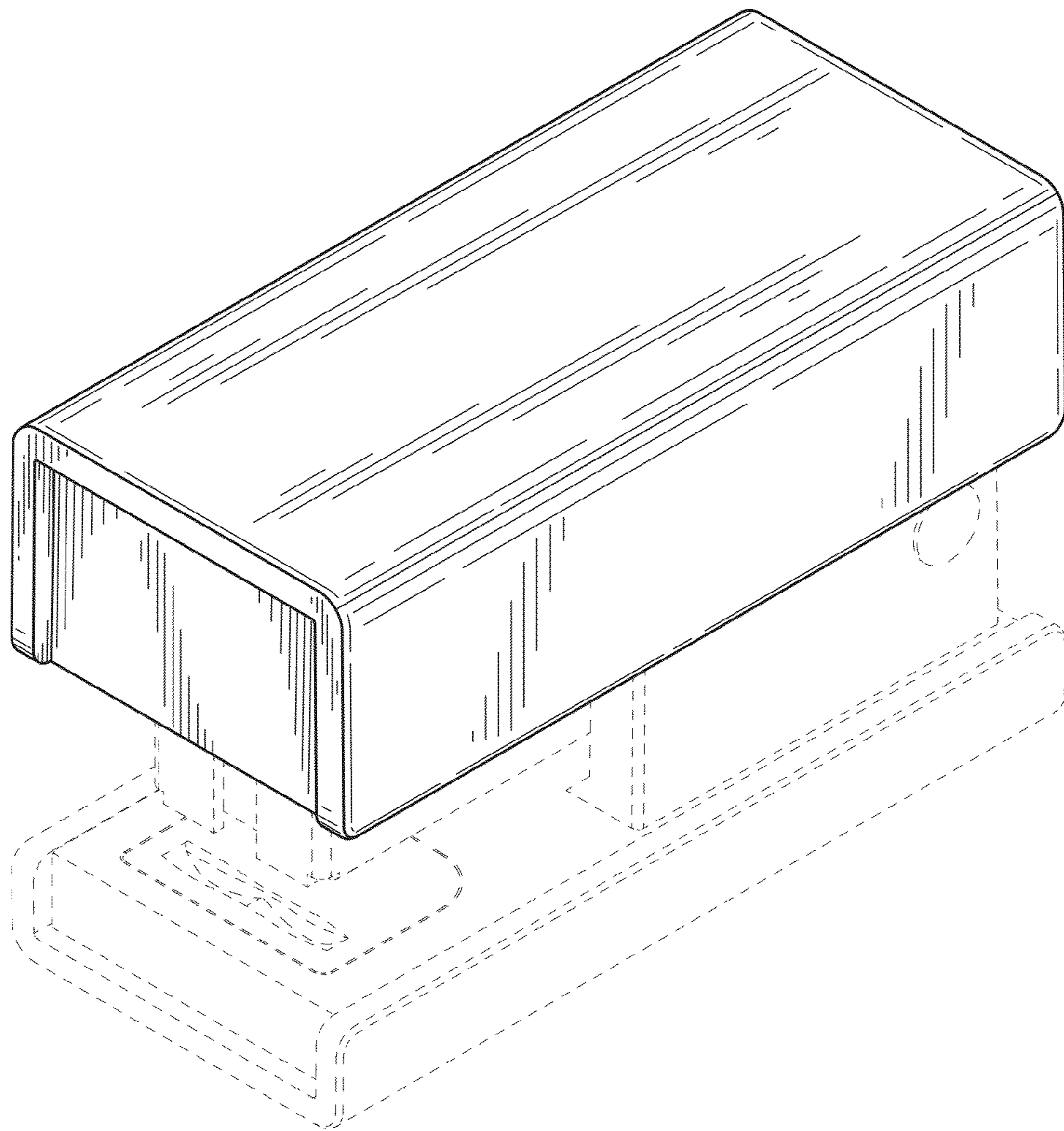


FIG. 1

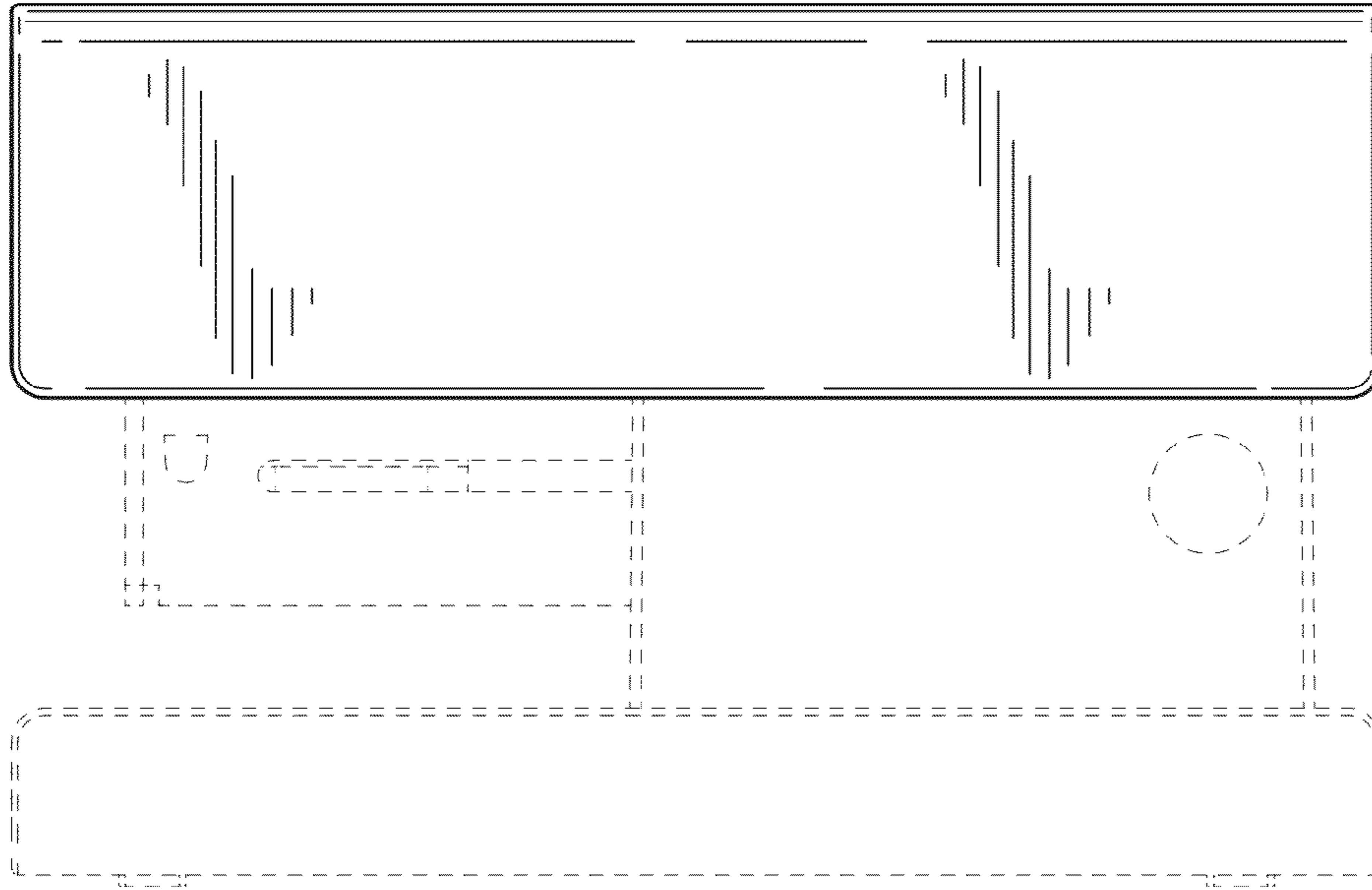


FIG. 2



FIG. 3

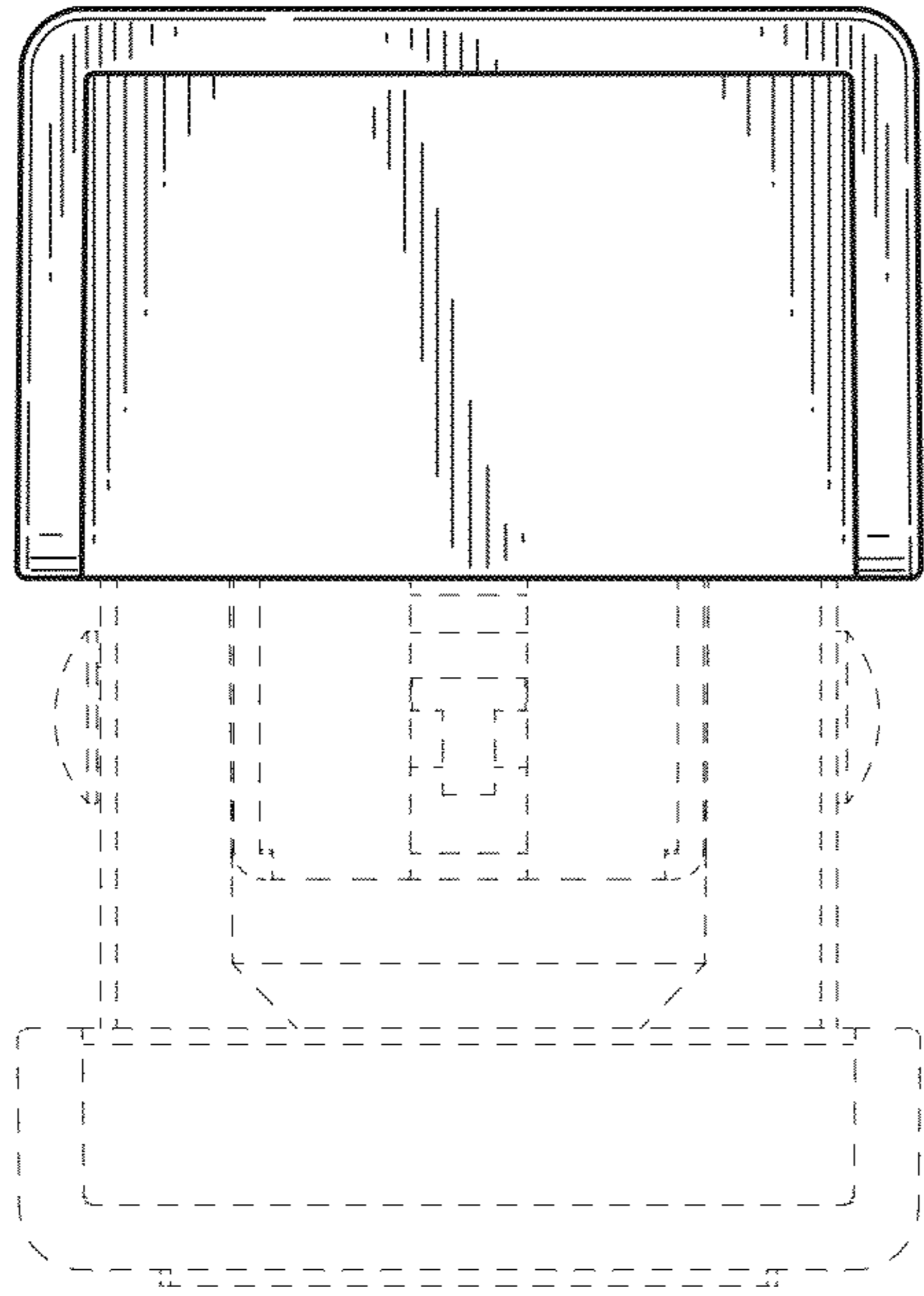


FIG. 4

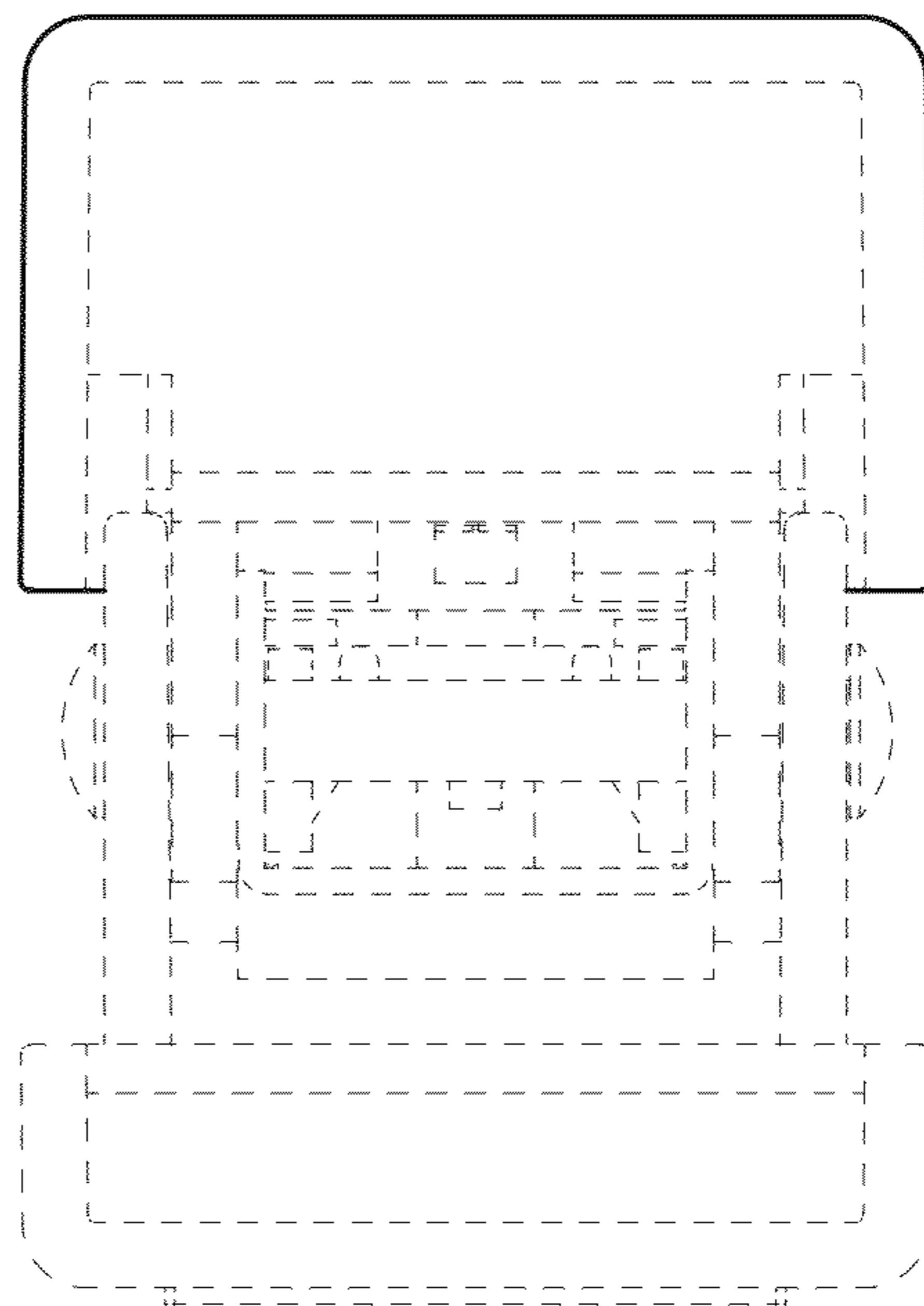


FIG. 5