



US00D694078S

(12) **United States Design Patent**
Dumaine et al.

(10) **Patent No.:** **US D694,078 S**

(45) **Date of Patent:** **** Nov. 26, 2013**

- (54) **HAMMER UNION WRENCH**
- (75) Inventors: **Marc Dumaine**, Calgary (CA); **Larry Matthewson**, Calgary (CA)
- (73) Assignee: **HUWE Inc.**, Calgary, Alberta (CA)
- (**) Term: **14 Years**
- (21) Appl. No.: **29/428,593**
- (22) Filed: **Aug. 1, 2012**
- (51) **LOC (9) Cl.** **08-05**
- (52) **U.S. Cl.**
USPC **D8/21; D8/27**
- (58) **Field of Classification Search**
USPC D8/21-29; 81/177.1, 177.85, 121.1,
81/124.3, 165-170, 110.1, 176.2, 124.6,
81/176.1, 176.15, 177.2; 16/110.1
See application file for complete search history.

3,222,958	A *	12/1965	Houdesheldt	81/109
3,769,863	A *	11/1973	Griffin	81/177.2
3,929,152	A *	12/1975	Graham	137/296
5,205,193	A *	4/1993	Wield	81/176.15
5,440,956	A *	8/1995	Johnstun	81/119
5,456,278	A *	10/1995	Morris et al.	137/1
D650,644	S *	12/2011	Dosch et al.	D8/21
D650,645	S *	12/2011	Dosch et al.	D8/21
2010/0050824	A1 *	3/2010	Vollenweider	81/177.1

* cited by examiner

Primary Examiner — Randall Gholson
(74) *Attorney, Agent, or Firm* — Field LLP

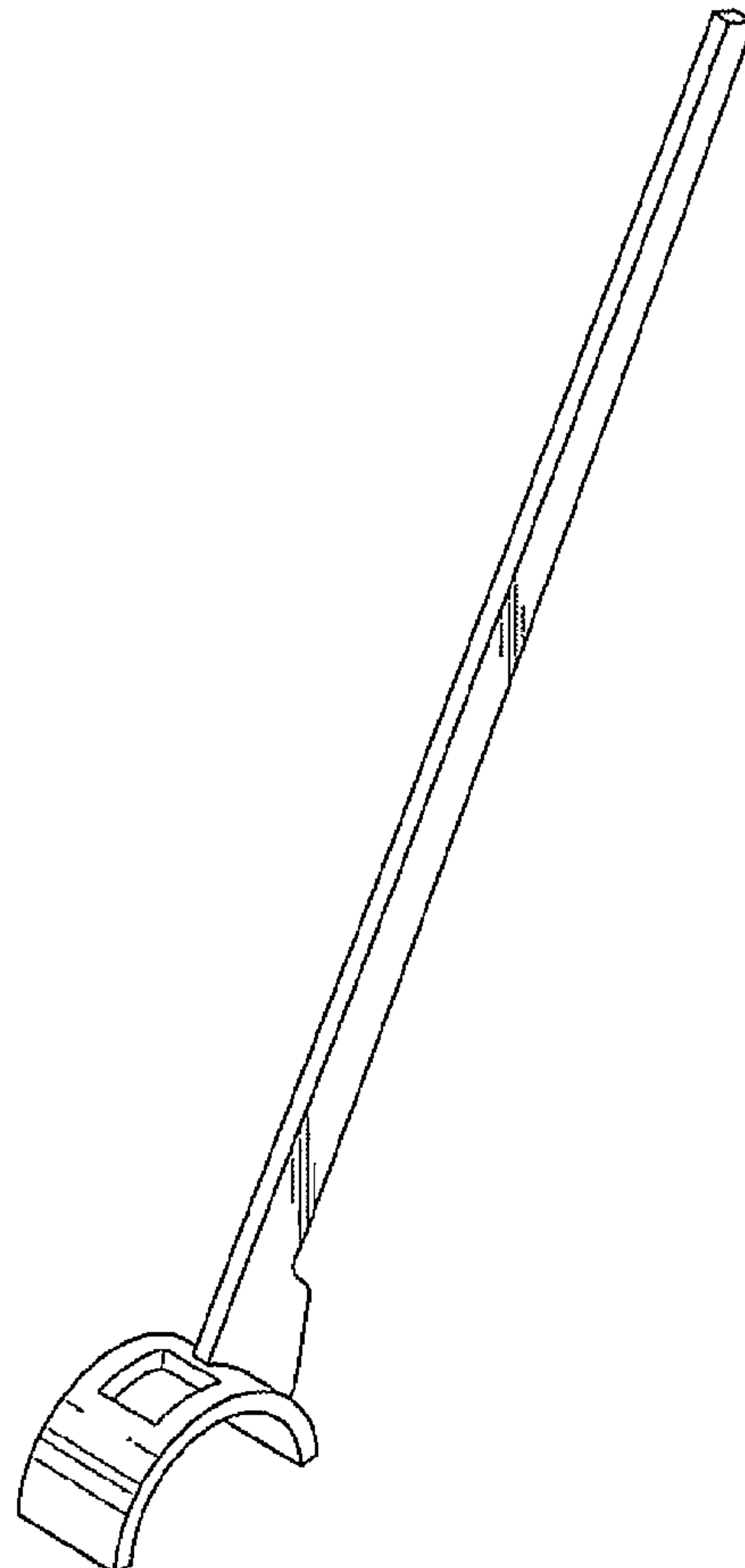
(57) **CLAIM**
The ornamental design for a hammer union wrench, as shown and described.

DESCRIPTION

FIG. 1 shows a front perspective view of the invention;
FIG. 2 shows a left side view thereof;
FIG. 3 shows a front view thereof;
FIG. 4 shows a rear view thereof;
FIG. 5 shows a top plan view thereof; and,
FIG. 6 shows a bottom plan view thereof.

1 Claim, 2 Drawing Sheets

- (56) **References Cited**
U.S. PATENT DOCUMENTS
1,006,348 A * 10/1911 Beran 81/99
2,736,954 A * 3/1956 Palmer 29/259



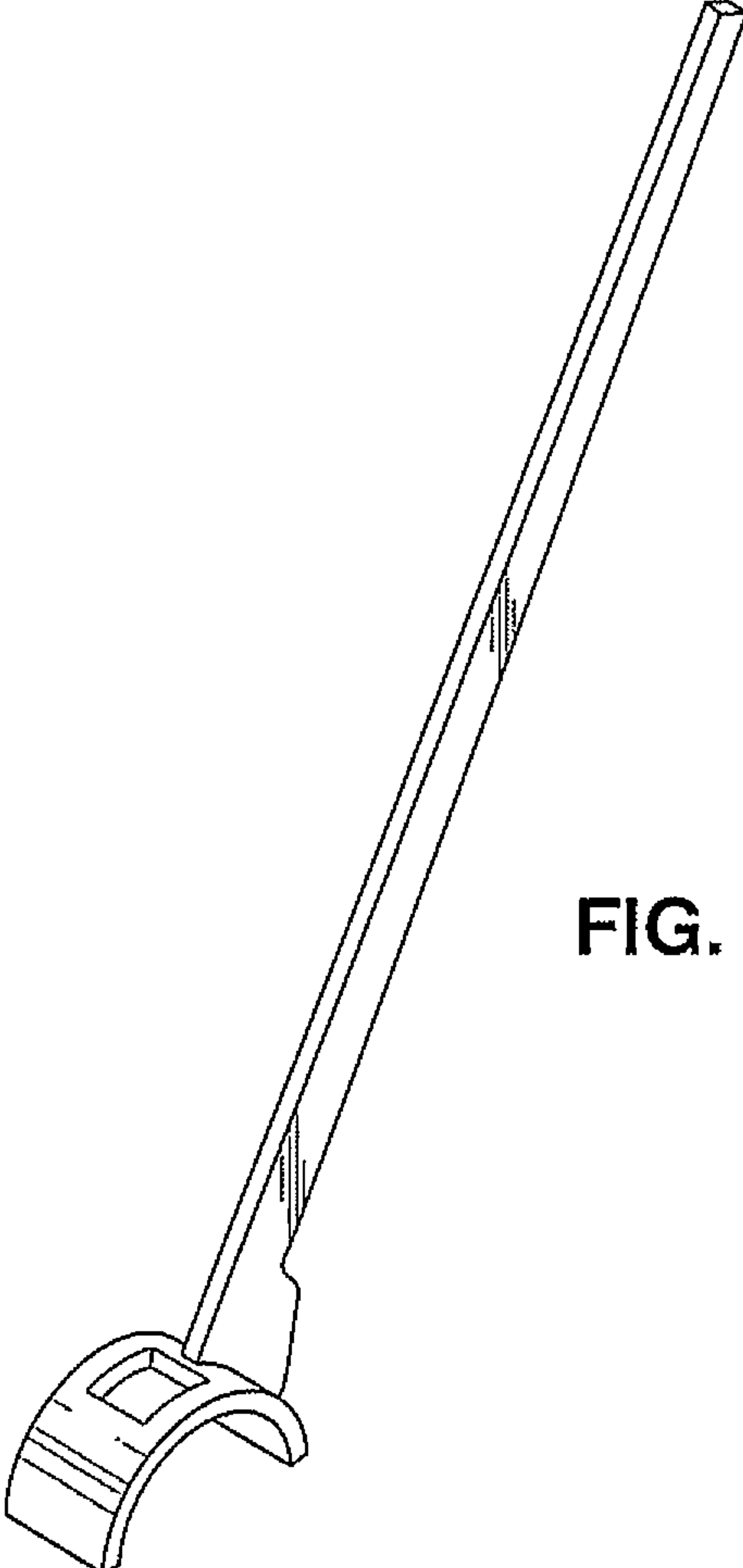


FIG. 1

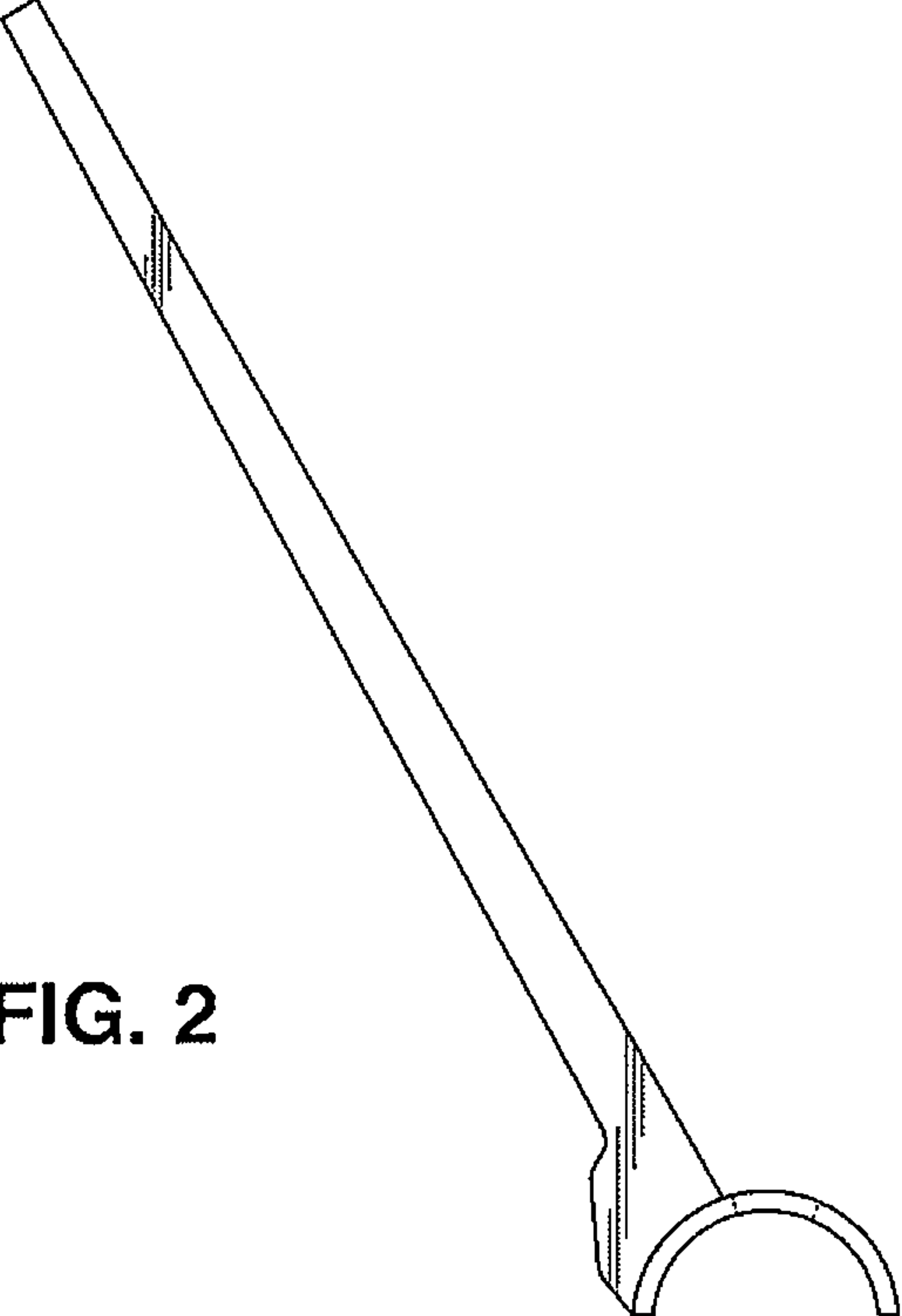


FIG. 2

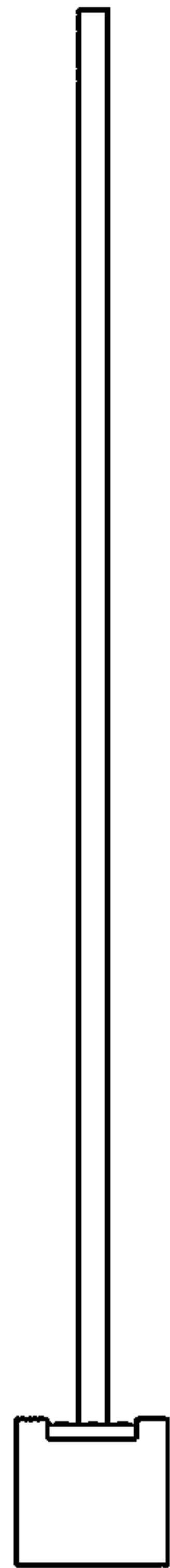


FIG. 3

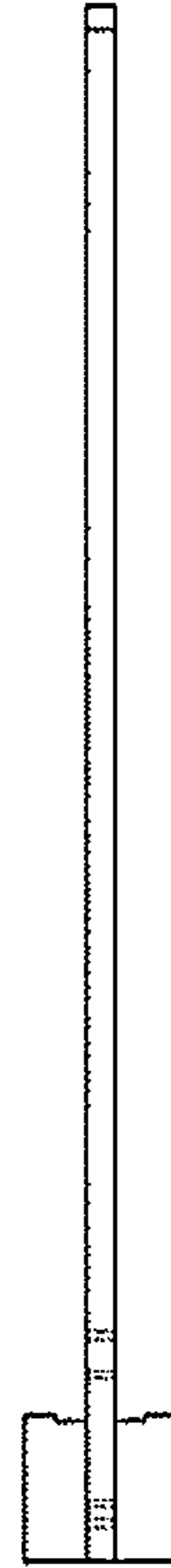


FIG. 4

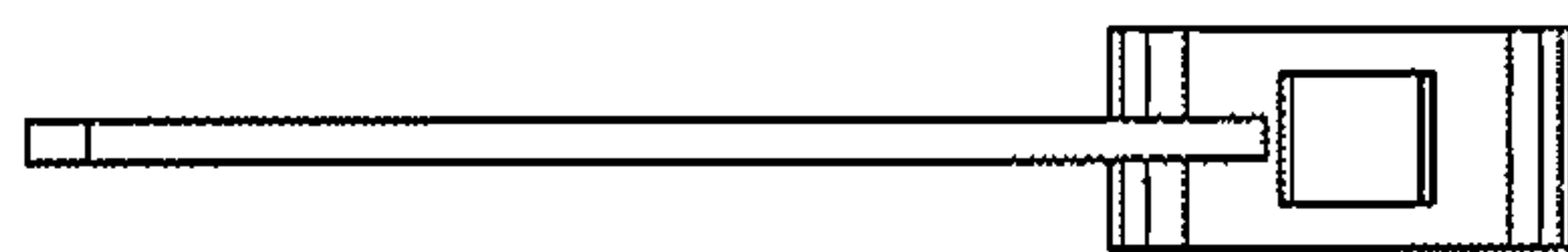


FIG. 5

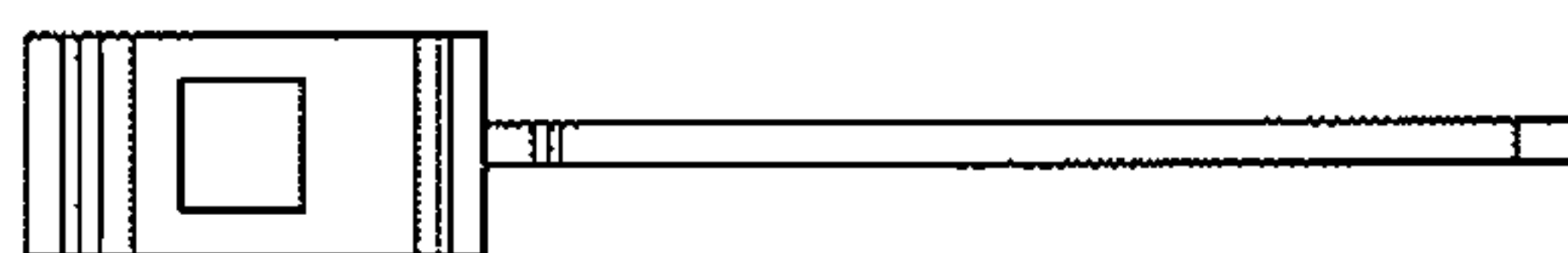


FIG. 6