



US00D694077S

(12) **United States Design Patent**
Bozic

(10) **Patent No.:** **US D694,077 S**

(45) **Date of Patent:** **** Nov. 26, 2013**

(54) **SAW BLADE**

(71) Applicant: **Robert Bosch GmbH**, Stuttgart (DE)

(72) Inventor: **Milan Bozic**, Solothurn (CH)

(73) Assignee: **Robert Bosch GmbH**, Stuttgart (DE)

(**) Term: **14 Years**

(21) Appl. No.: **29/441,272**

(22) Filed: **Jan. 3, 2013**

(30) **Foreign Application Priority Data**

Jul. 3, 2012 (EM) 002067546

(51) **LOC (9) Cl.** **08-03**

(52) **U.S. Cl.**
USPC **D8/20**

(58) **Field of Classification Search**

USPC D8/14, 16, 18-20, 45, 47, 64, 66, 67,
D8/70, 90-99; D15/127, 133, 138, 139;
D22/117, 118; D24/146; 7/118, 148;
30/142, 144, 165, 166.3, 168, 169,
30/272.1, 314, 320, 346, 346.5, 346.55,
30/346.56, 349, 351, 355-357

See application file for complete search history.

(56) **References Cited**

U.S. PATENT DOCUMENTS

D343,247 S * 1/1994 Walen D24/146
5,392,910 A * 2/1995 Bell et al. D24/146
D360,946 S * 8/1995 Goris D24/146
D404,485 S * 1/1999 Hutchins et al. D24/146
D416,178 S * 11/1999 Moore et al. D8/16

D455,490 S * 4/2002 Pascaloff D24/146
D459,805 S * 7/2002 Pascaloff D24/146
D489,823 S * 5/2004 Fisher et al. D24/146
D492,412 S * 6/2004 Desoutter et al. D24/146
D525,707 S * 7/2006 Kullmer et al. D24/146
D651,874 S * 1/2012 Davidian et al. D8/20
D652,274 S * 1/2012 Davidian et al. D8/20
D661,805 S * 6/2012 Detry D24/146

* cited by examiner

Primary Examiner — Garth Rademaker

(74) *Attorney, Agent, or Firm* — Maginot, Moore & Beck

(57) **CLAIM**

The ornamental design for a saw blade, as shown and described.

DESCRIPTION

FIG. 1 is a perspective view of a saw blade showing my new design;

FIG. 2 is a left side elevational view showing the design for the saw blade of FIG. 1;

FIG. 3 is a right side elevational view showing the design for the saw blade of FIG. 1;

FIG. 4 is a front elevational view showing the design for the saw blade of FIG. 1;

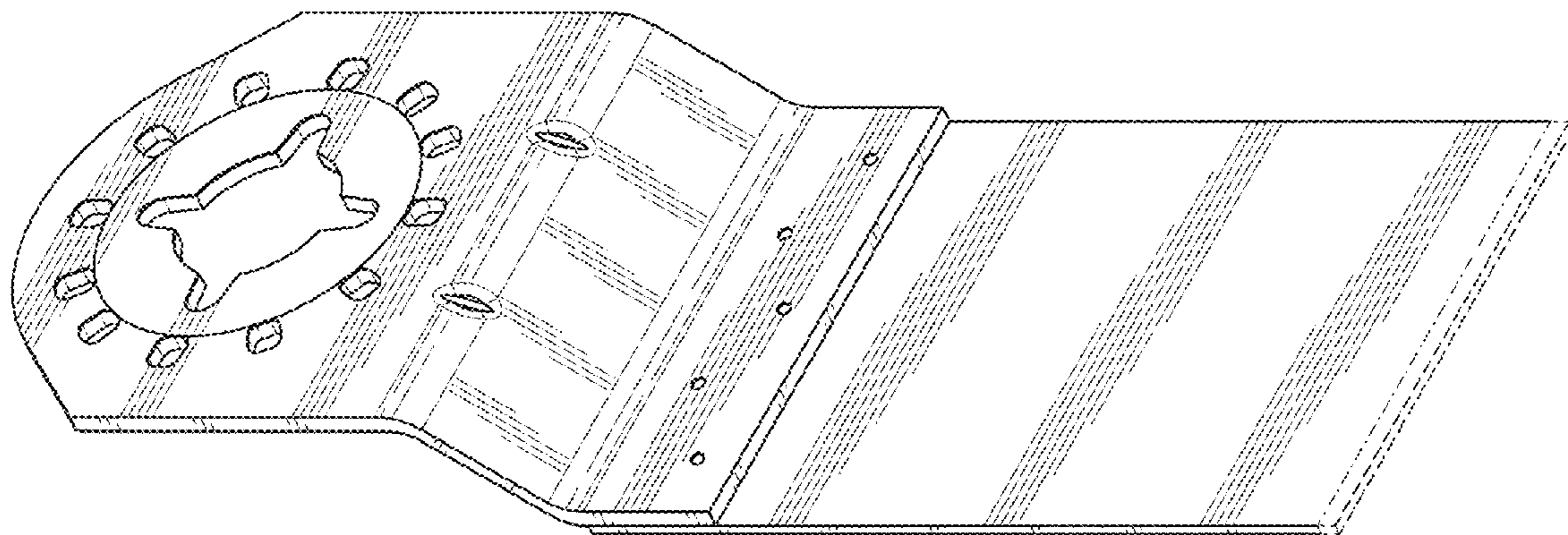
FIG. 5 is a rear elevational view showing the design for the saw blade of FIG. 1;

FIG. 6 is a top plan view showing the design for the saw blade of FIG. 1; and,

FIG. 7 is a bottom plan view showing the design for the saw blade of FIG. 1.

The broken line showing of portions of the saw blade is included for illustrative purposes only and forms no part of the claimed design. The dash dot lines illustrate boundaries of the claimed design and form no part of the claimed design.

1 Claim, 7 Drawing Sheets



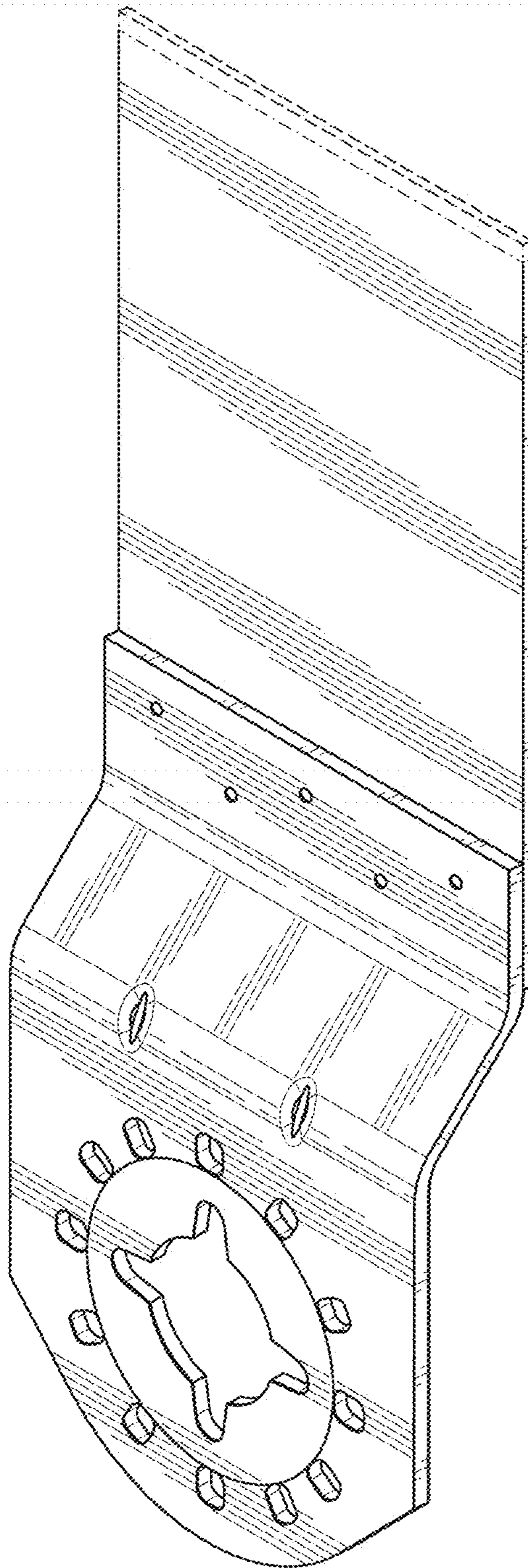
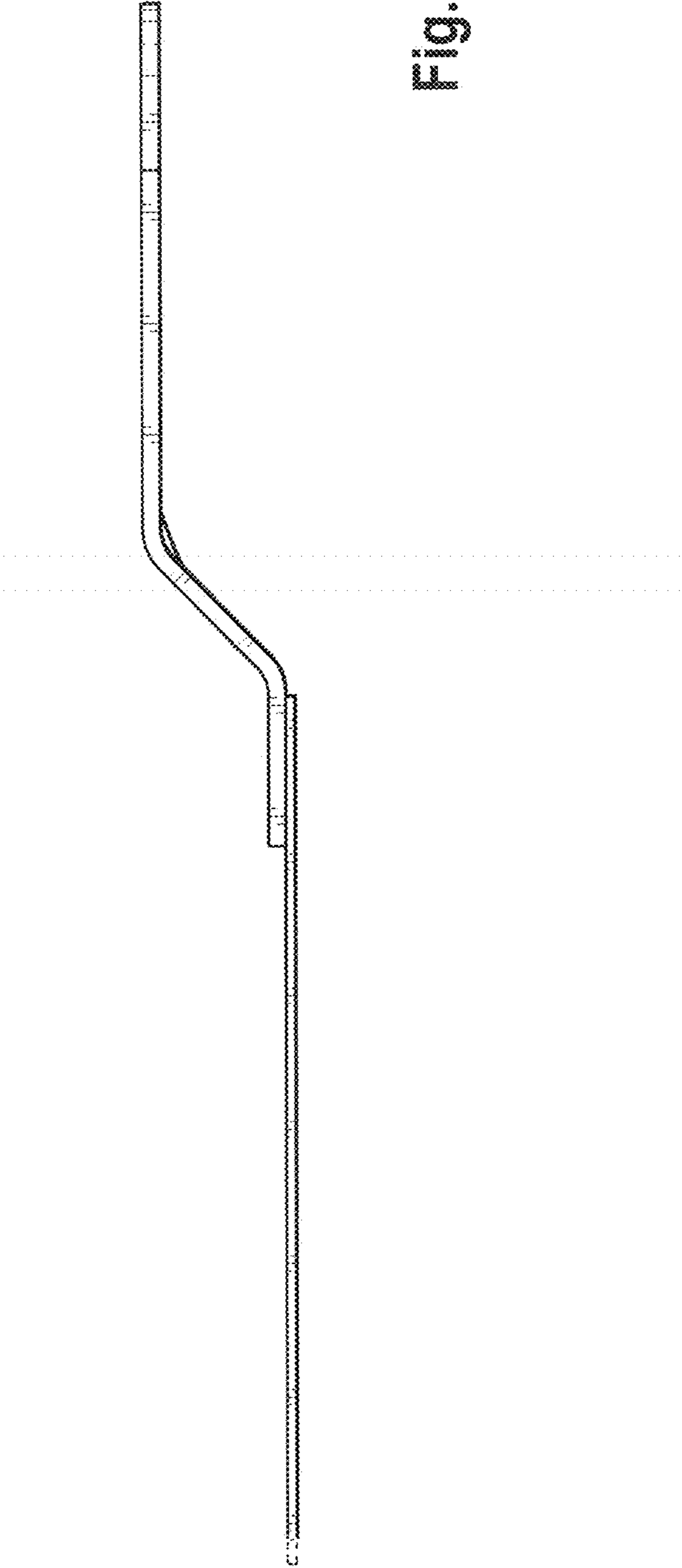
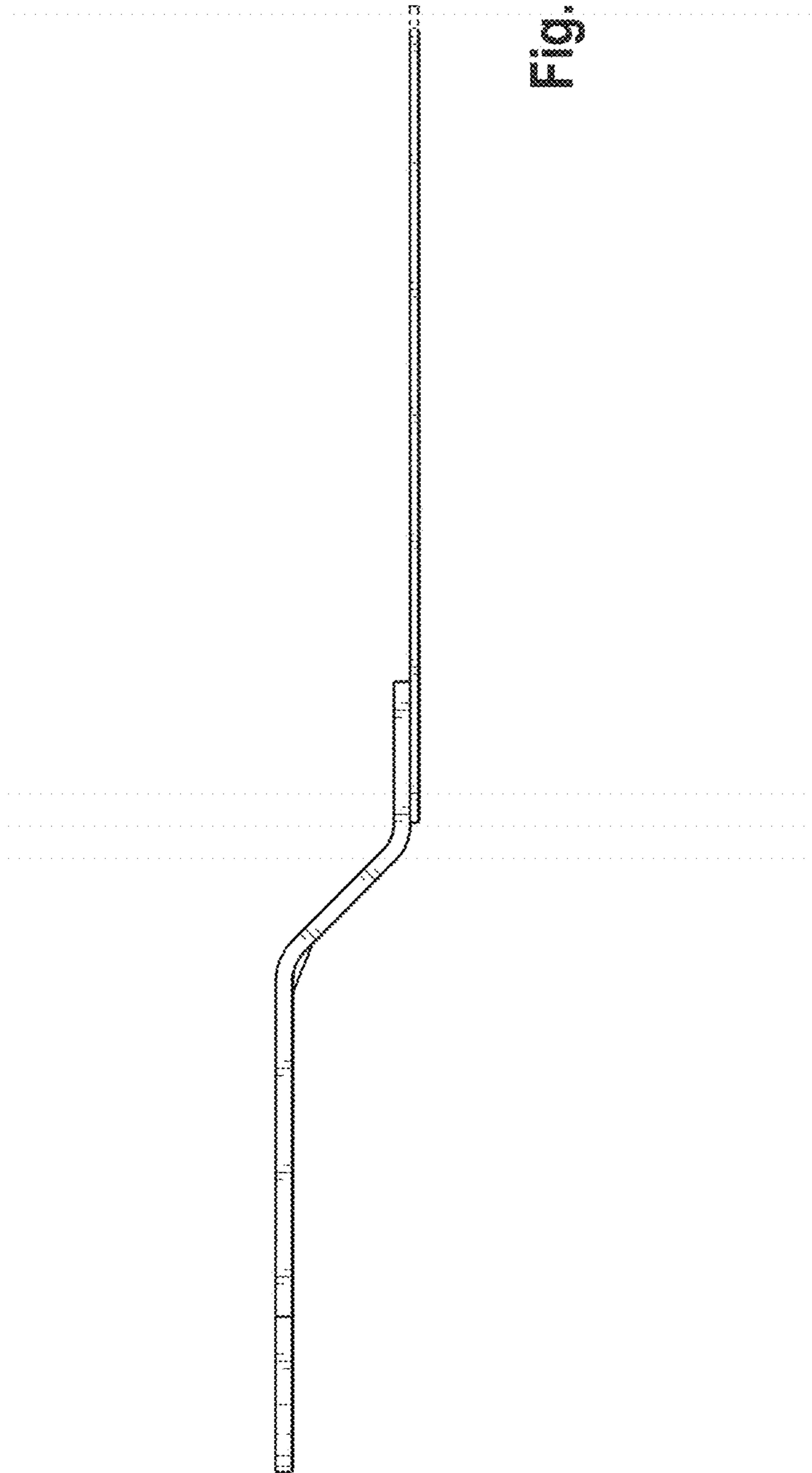


Fig. 1

Fig. 2





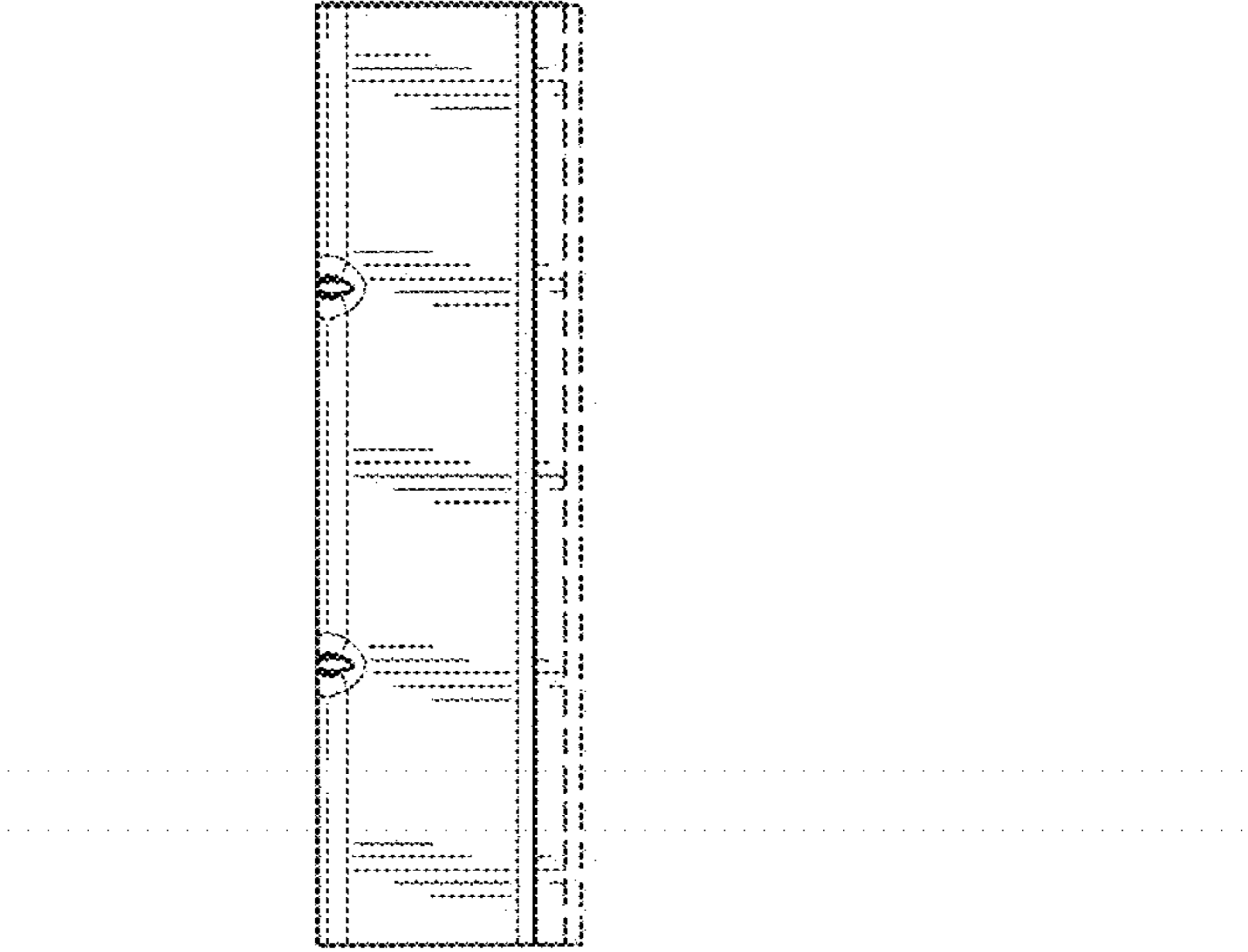
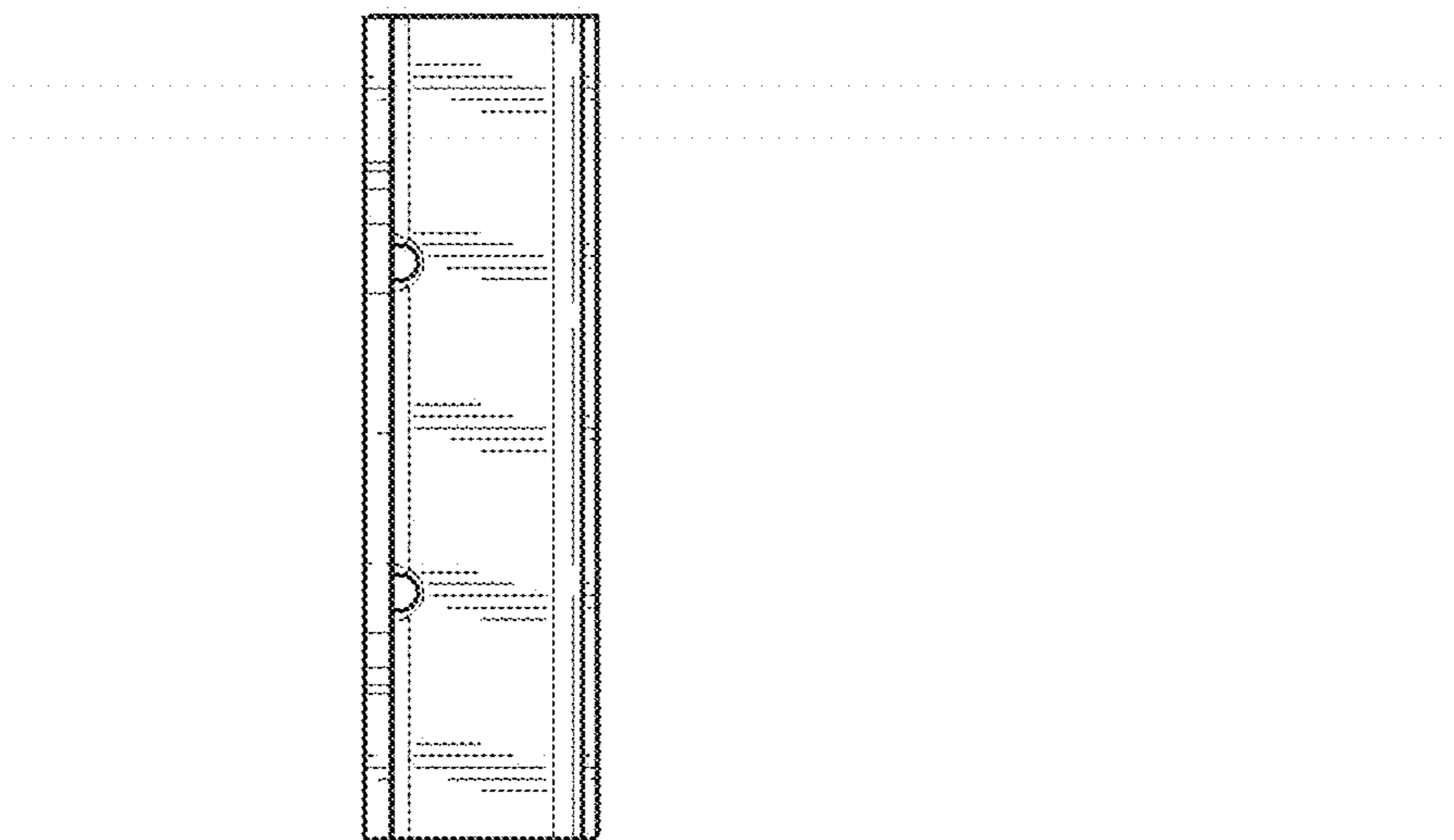


Fig. 4

Fig. 5



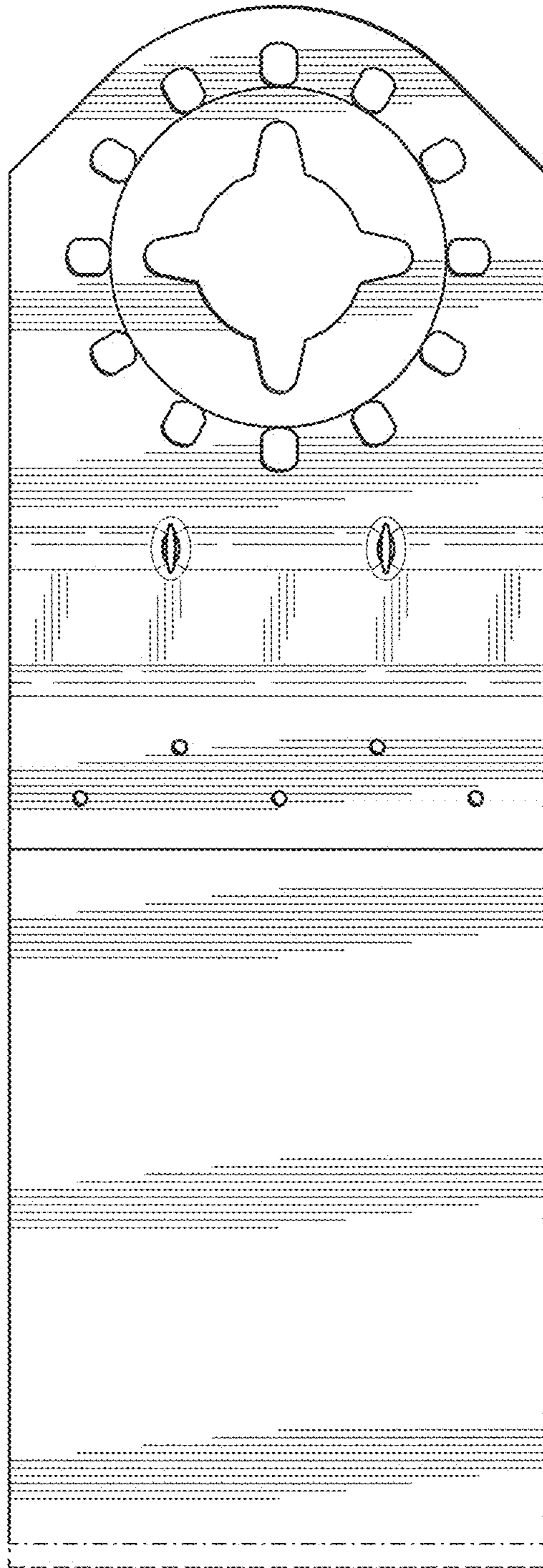


Fig. 6

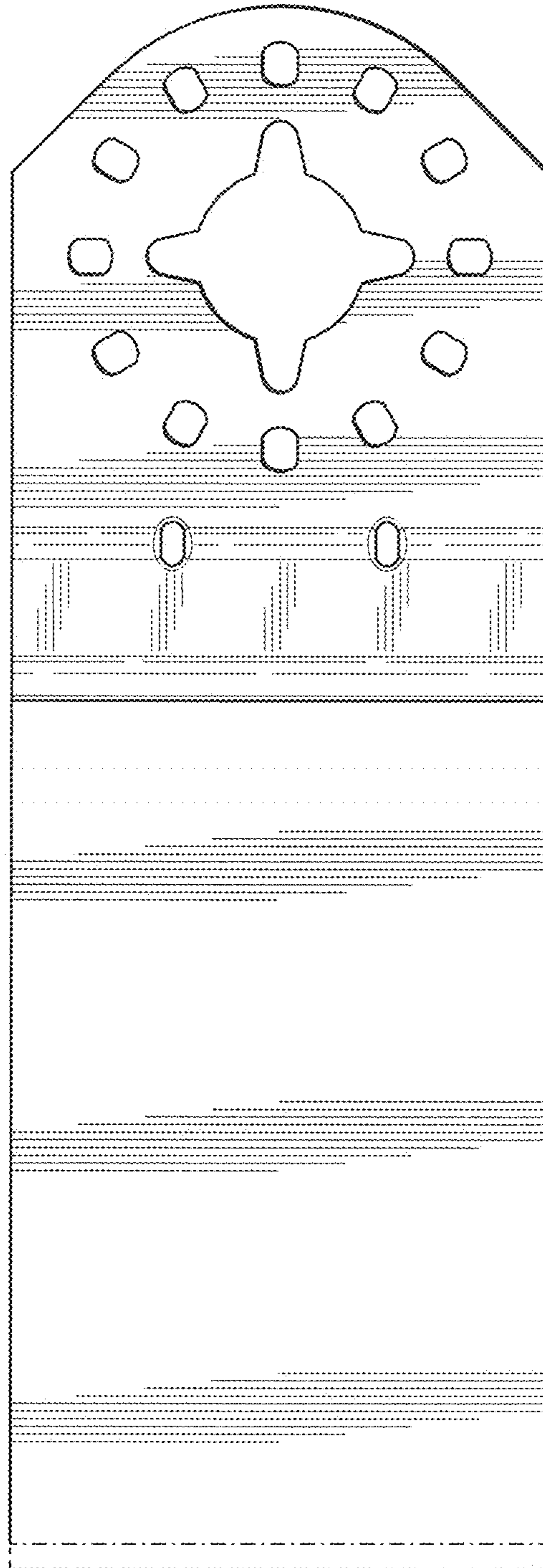


Fig. 7