

US00D694076S

(12) **United States Design Patent**  
**Davidian et al.**

(10) **Patent No.:** **US D694,076 S**

(45) **Date of Patent:** **\*\* Nov. 26, 2013**

(54) **UNIVERSAL INTERFACE FOR ACCESSORY BLADES**

(75) Inventors: **Richard Davidian**, Pickens, SC (US);  
**James Keith**, Pickens, SC (US)

(73) Assignee: **Techtronic Power Tools Technology Limited**, Tortola (VG)

(\*\*) Term: **14 Years**

(21) Appl. No.: **29/425,613**

(22) Filed: **Jun. 25, 2012**

(51) **LOC (9) Cl.** ..... **08-03**

(52) **U.S. Cl.**  
USPC ..... **D8/20**

(58) **Field of Classification Search**  
USPC ..... D8/14, 16, 18–20, 64, 66, 70, 90–104;  
D10/64; D15/127, 133, 134, 138, 139;  
D19/39, 40; D22/117, 118; D24/146,  
D24/147; 7/118, 148; 30/142, 144, 165,  
30/166.3, 168, 169, 272.1, 314, 320, 346,  
30/346.5, 346.55, 346.56, 349, 351,  
30/355–357; 33/562, 563, 565, 567,  
33/567.1; 83/663, 676, 835, 846, 854

See application file for complete search history.

(56) **References Cited**

**U.S. PATENT DOCUMENTS**

81,661 A	9/1868	McDonald
197,650 A	11/1877	Milligan
223,103 A	12/1879	Berstler
241,178 A	5/1881	Amazeen
390,134 A	9/1888	Miller
519,892 A	5/1894	Newton
D25,954 S	8/1896	Worden
742,000 A	10/1903	Brooks
D56,850 S	1/1921	Bath
1,947,662 A	2/1934	Robinson
2,132,917 A	10/1938	Albertson

2,550,768 A	5/1951	Burleigh
2,649,868 A	7/1951	Gommel
2,822,648 A	2/1958	Metzger et al.
2,846,826 A	8/1958	Miller
2,854,042 A	9/1958	Robinson
2,912,021 A	11/1959	Gommel

(Continued)

**FOREIGN PATENT DOCUMENTS**

CN	201728642	2/2011
CN	202241199	5/2012

(Continued)

**OTHER PUBLICATIONS**

Photo of Accessory Blade, (4 pictured on 1 page), Knows at least as early as Jun. 25, 2012.

(Continued)

*Primary Examiner* — Garth Rademaker

(74) *Attorney, Agent, or Firm* — Michael Best & Friedrich LLP

(57) **CLAIM**

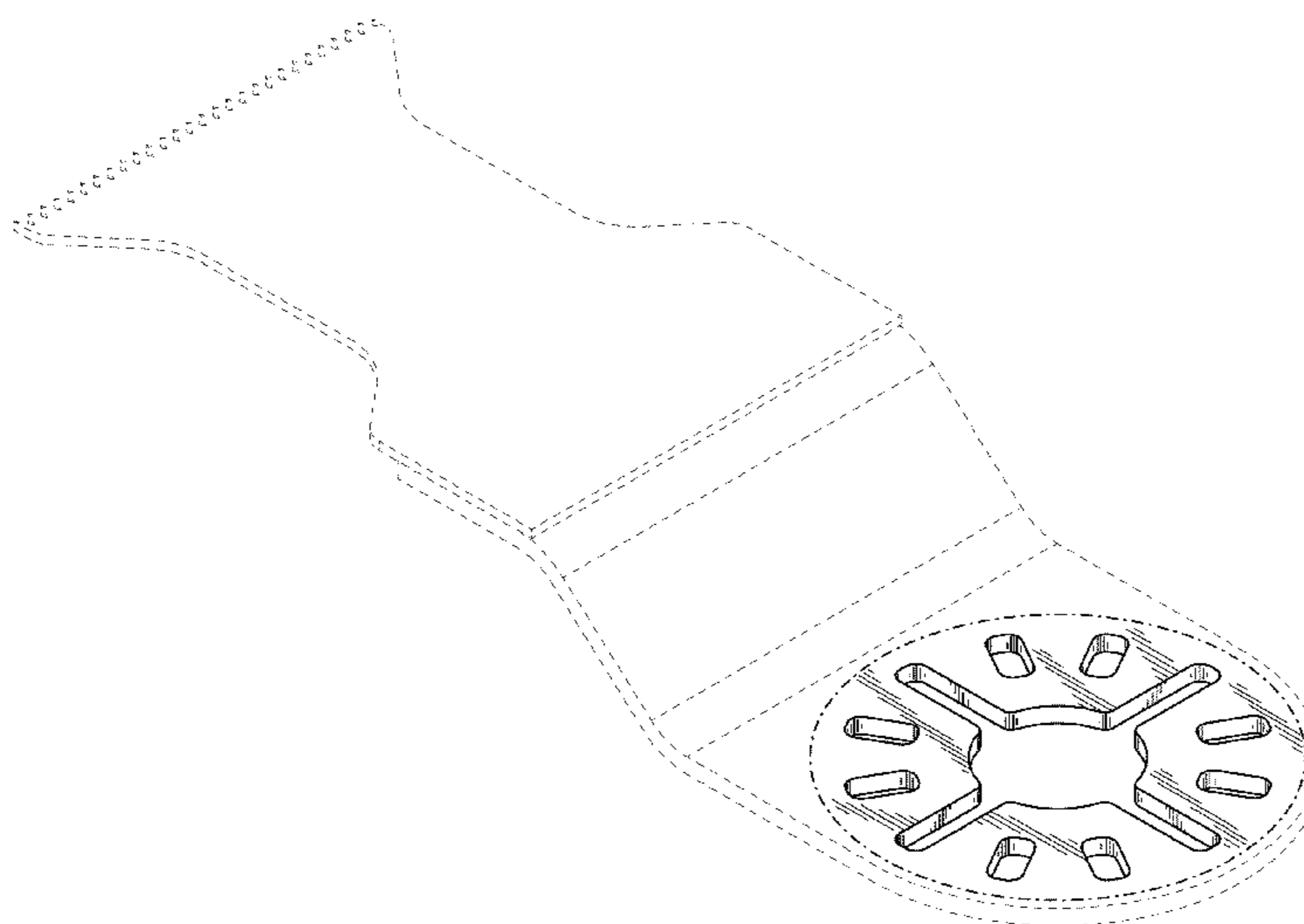
We claim the ornamental design for a universal interface for accessory blades, as shown and described.

**DESCRIPTION**

FIG. 1 is a perspective view of a universal interface for accessory blades showing the invention; and, FIG. 2 is a top view thereof, the bottom view being a mirror image thereof.

The portions of the universal interface shown in broken lines are included for the purpose of illustrating environment and form no part of the claimed design. The portions of the universal interface shown in broken lines having unequal length segments illustrate the boundary of the claimed design and form no part of the claimed design.

**1 Claim, 2 Drawing Sheets**



(56)

References Cited

U.S. PATENT DOCUMENTS

2,997,819 A 8/1961 Schacht  
 3,041,797 A 7/1962 Moffly  
 3,308,703 A 3/1967 Sauer  
 3,440,915 A 4/1969 Weyant  
 3,623,281 A 11/1971 Moffat  
 3,667,169 A 6/1972 MacKay, Jr.  
 3,894,462 A 7/1975 Lundtoft  
 3,908,499 A 9/1975 Reed  
 4,015,371 A 4/1977 Grayston  
 D252,019 S 6/1979 O'Brien  
 D264,675 S 6/1982 Inaga et al.  
 D266,001 S 8/1982 Wertheimer  
 4,393,626 A 7/1983 Schroer  
 4,436,006 A 3/1984 Nakamura et al.  
 4,436,009 A 3/1984 Ask  
 4,461,195 A 7/1984 Barnick  
 4,497,141 A 2/1985 Jarby  
 4,624,876 A 11/1986 Nevin  
 4,637,170 A 1/1987 Block  
 4,657,428 A 4/1987 Wiley  
 4,683,683 A 8/1987 Block  
 4,706,386 A 11/1987 Wiley  
 4,730,952 A 3/1988 Wiley  
 4,787,147 A 11/1988 Wiley  
 4,905,420 A 3/1990 Flachenecker et al.  
 4,980,976 A 1/1991 Junginger et al.  
 D321,634 S 11/1991 Inoue  
 D339,814 S 9/1993 Pepper  
 D343,247 S 1/1994 Walen  
 5,303,688 A 4/1994 Chiuminatta et al.  
 5,319,886 A 6/1994 Steere, Jr.  
 5,366,312 A 11/1994 Raines  
 5,373,834 A 12/1994 Chiuminatta et al.  
 D360,946 S 8/1995 Goris  
 D362,065 S 9/1995 Goris  
 5,477,845 A 12/1995 Zuzelo  
 5,496,316 A 3/1996 Goris  
 5,603,310 A 2/1997 Chiuminatta et al.  
 5,660,161 A 8/1997 Chiuminatta et al.  
 5,694,693 A 12/1997 Hutchins et al.  
 5,729,904 A 3/1998 Trott  
 D394,315 S \* 5/1998 Fisher ..... D24/146  
 D404,485 S 1/1999 Hutchins et al.  
 D405,177 S \* 2/1999 Hutchins et al. .... D24/146  
 D406,223 S \* 3/1999 Tran ..... D8/70  
 5,901,629 A 5/1999 Stroud  
 5,911,620 A 6/1999 Spangenberg et al.  
 6,065,215 A 5/2000 Arai  
 6,099,397 A 8/2000 Wurst  
 6,110,028 A 8/2000 Chung  
 D437,762 S 2/2001 Suzuki  
 6,277,012 B1 8/2001 Halliley  
 6,306,024 B1 10/2001 Kai et al.  
 6,332,836 B1 12/2001 Tseng  
 6,340,022 B1 1/2002 Schroer  
 6,361,424 B1 3/2002 Manor et al.  
 D455,490 S 4/2002 Pascaloff  
 D459,805 S \* 7/2002 Pascaloff ..... D24/146  
 6,523,214 B1 2/2003 Kaiser  
 6,533,650 B2 3/2003 Yoshida et al.  
 6,588,310 B2 7/2003 Lee et al.  
 6,651,644 B1 11/2003 Zuzelo  
 D483,631 S 12/2003 Koike et al.  
 6,699,112 B2 3/2004 Bergner et al.  
 D488,696 S 4/2004 Merritt  
 D489,823 S 5/2004 Fisher et al.  
 6,729,220 B2 5/2004 Curtsinger et al.  
 6,780,093 B2 8/2004 Krondorfer et al.  
 6,786,811 B2 9/2004 Krondorfer et al.  
 6,796,210 B2 9/2004 Baron  
 6,796,888 B2 9/2004 Jasch  
 6,802,764 B2 10/2004 Besch  
 6,814,655 B2 11/2004 Hofmann et al.  
 6,814,657 B2 11/2004 Spangenberg et al.  
 6,827,074 B2 12/2004 Gardner

6,860,792 B2 3/2005 Krondorfer et al.  
 6,869,346 B2 3/2005 Wendt et al.  
 6,902,471 B2 6/2005 Krondorfer et al.  
 D509,121 S 9/2005 Hede  
 6,942,560 B2 9/2005 Hofmann et al.  
 6,945,862 B2 9/2005 Jasch et al.  
 7,000,606 B2 2/2006 Gardner  
 D525,707 S \* 7/2006 Kullmer et al. .... D24/146  
 7,077,734 B2 7/2006 Tiede et al.  
 7,077,735 B2 7/2006 Krondorfer et al.  
 7,097,548 B2 8/2006 Krondorfer et al.  
 7,115,028 B1 10/2006 Chen  
 7,137,329 B1 11/2006 Moser  
 7,143,760 B2 12/2006 Gardner  
 7,189,239 B2 3/2007 Fisher et al.  
 7,201,644 B2 4/2007 Gardner  
 7,217,177 B2 5/2007 Frech et al.  
 7,273,412 B1 9/2007 Sun et al.  
 7,287,310 B2 10/2007 Zuzelo  
 D557,574 S 12/2007 Hein  
 D559,638 S 1/2008 Park  
 7,402,095 B2 7/2008 Gardner  
 D587,979 S 3/2009 Jeiziner et al.  
 D594,718 S 6/2009 Duffy  
 7,588,484 B2 9/2009 Momosaki  
 D612,874 S 3/2010 Nilsson et al.  
 7,695,352 B2 4/2010 Schumacher  
 D633,928 S \* 3/2011 Nilsson et al. .... D15/138  
 D651,062 S \* 12/2011 Wackwitz ..... D8/70  
 D651,499 S \* 1/2012 Tong ..... D8/70  
 D651,874 S 1/2012 Davidian et al.  
 D651,875 S 1/2012 Davidian et al.  
 D651,876 S 1/2012 Davidian et al.  
 D651,877 S 1/2012 Davidian et al.  
 D651,878 S 1/2012 Davidian et al.  
 D652,274 S 1/2012 Davidian et al.  
 D664,017 S \* 7/2012 Carruth ..... D8/16  
 D677,546 S \* 3/2013 Zhou et al. .... D8/70  
 D682,652 S \* 5/2013 McRoberts et al. .... D8/70  
 D686,048 S \* 7/2013 Lock ..... D8/20  
 2002/0022444 A1 2/2002 Littlefield  
 2006/0150428 A1 7/2006 Baculy  
 2007/0295156 A1 12/2007 Ziegler et al.  
 2008/0003929 A1 1/2008 Degen  
 2008/0017006 A1 1/2008 Burke  
 2008/0057846 A1 3/2008 Schumacher  
 2008/0160886 A1 7/2008 Palushaj  
 2008/0190259 A1 8/2008 Bohne  
 2008/0210212 A1 9/2008 Baratta  
 2009/0023371 A1 1/2009 Blickle et al.  
 2009/0083916 A1 4/2009 Lampka et al.  
 2009/0209186 A1 8/2009 Krauss et al.  
 2009/0293696 A1 12/2009 Rauscher et al.  
 2009/0318065 A1 12/2009 Zaiser et al.  
 2010/0009613 A1 1/2010 Frueh  
 2010/0052269 A1 3/2010 Zaiser et al.  
 2010/0056029 A1 3/2010 Grunikiewicz  
 2010/0107845 A1 5/2010 Baron  
 2013/0104719 A1 \* 5/2013 Rubens et al. .... 83/835

FOREIGN PATENT DOCUMENTS

DE 10061559 6/2002  
 DE 20309329 8/2003  
 DE 202006013890 11/2006  
 DE 102007039367 3/2008  
 DE 102007035045 1/2009  
 DE 202007018679 1/2009  
 DE 102008027671 12/2009  
 EP 1302286 4/2003  
 EP 1819490 8/2007  
 EP 1852218 11/2007  
 EP 2017036 1/2009  
 EP 2143531 1/2010  
 EP 2159000 3/2010  
 EP 2208576 7/2010  
 WO 2008128813 10/2008  
 WO 2008128862 10/2008

(56)

**References Cited**

FOREIGN PATENT DOCUMENTS

OTHER PUBLICATIONS

Photo of Accessory Blade, (3 pictured on 1 page), Known at least as early as Jun. 25, 2012.

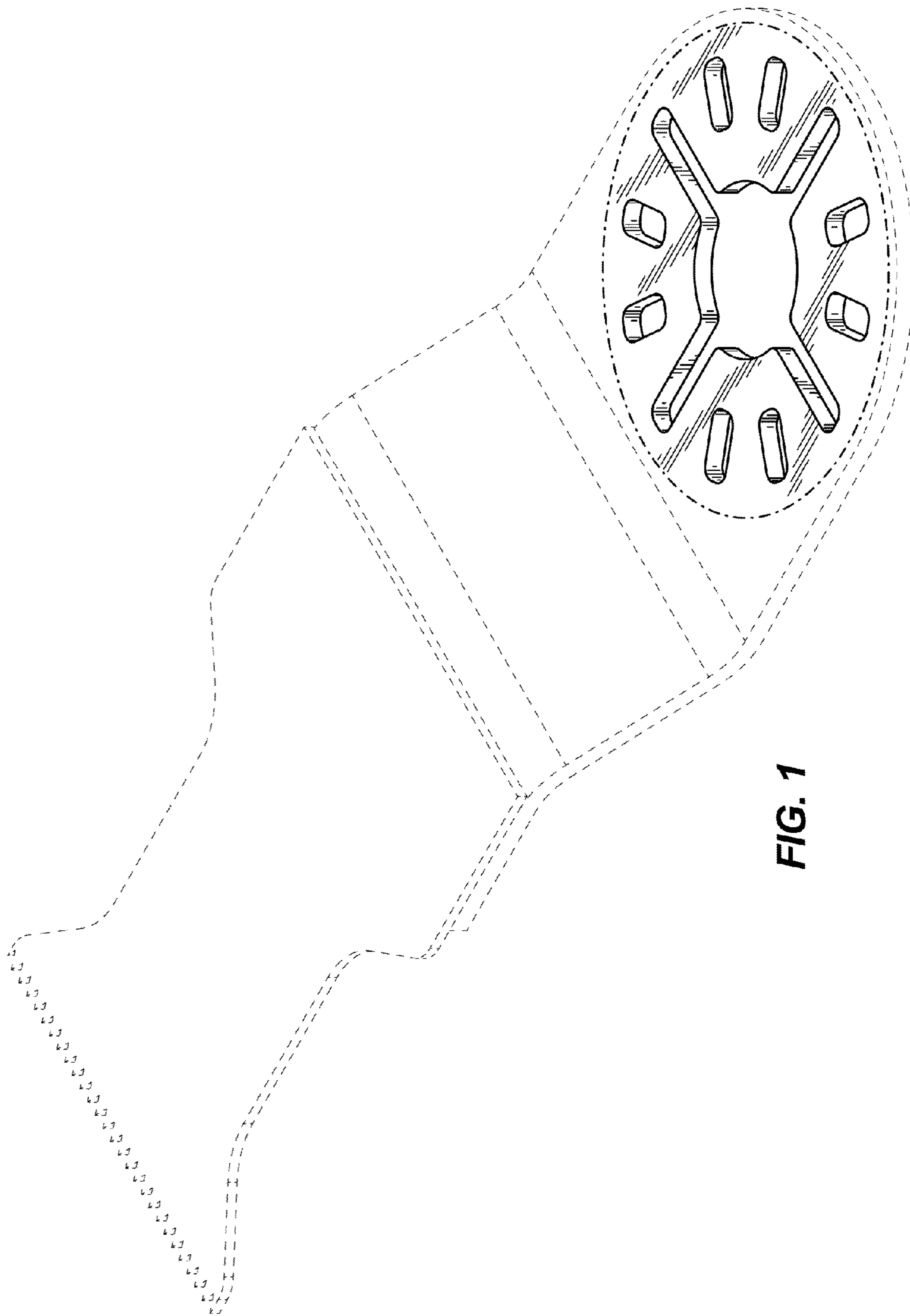
Design U.S. Appl. No. 29/375,918, 066042-8250-US00, 6 pages,

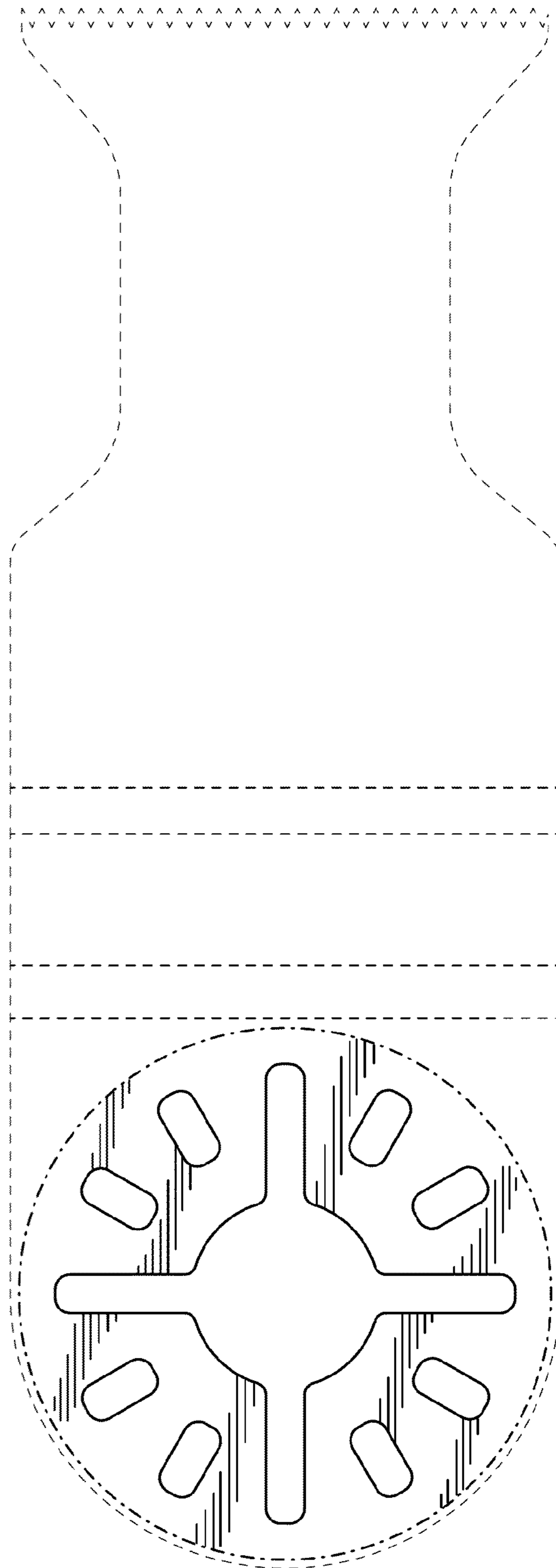
Sep. 29, 2010.

EP Designs Bosch 6, 4 pages, May-Jul. 2006.

\* cited by examiner







**FIG. 2**