



US00D694075S

(12) **United States Design Patent**
Zemel et al.

(10) **Patent No.:** **US D694,075 S**
(45) **Date of Patent:** **** Nov. 26, 2013**

- (54) **DOUBLE PRONGED SKEWER**
- (71) Applicant: **Mr. Bar-B-Q-, Inc.**, Old Bethpage, NY (US)
- (72) Inventors: **Marc Zemel**, Melville, NY (US); **Adam Schillen**, Dix Hills, NY (US)
- (73) Assignee: **Ferrellgas Real Estate, Inc.**, Liberty, MO (US)
- (**) Term: **14 Years**

D529,333 S	10/2006	Zemel
D529,335 S	10/2006	Zemel
D544,750 S	6/2007	Zemel
D545,120 S	6/2007	Zemel
D562,064 S	2/2008	Zemel
D564,292 S	3/2008	Zemel
D566,460 S	4/2008	Zemel
D572,079 S	7/2008	Zemel
D574,184 S	8/2008	Zemel
D579,269 S	10/2008	Zemel
D588,868 S	3/2009	Zemel
D592,916 S *	5/2009	Mazzetta et al. D7/683
D618,499 S	6/2010	Zemel
D658,434 S	5/2012	Zemel
D658,937 S	5/2012	Zemel

- (21) Appl. No.: **29/435,573**
- (22) Filed: **Oct. 25, 2012**
- (51) **LOC (9) Cl.** **07-06**
- (52) **U.S. Cl.**
USPC **D7/683**
- (58) **Field of Classification Search**
USPC D7/642, 368, 669, 401.2, 412, 393, 395,
D7/680-696; 30/164.8, 142, 358, 164.5,
30/322, 323; 294/61; D8/14, 15;
99/415-419, 426, 441, 421 R, 425,
99/421 V, 421 A
See application file for complete search history.

* cited by examiner

Primary Examiner — Terry Wallace
(74) *Attorney, Agent, or Firm* — Carter, DeLuca, Farrell & Schmidt, LLP

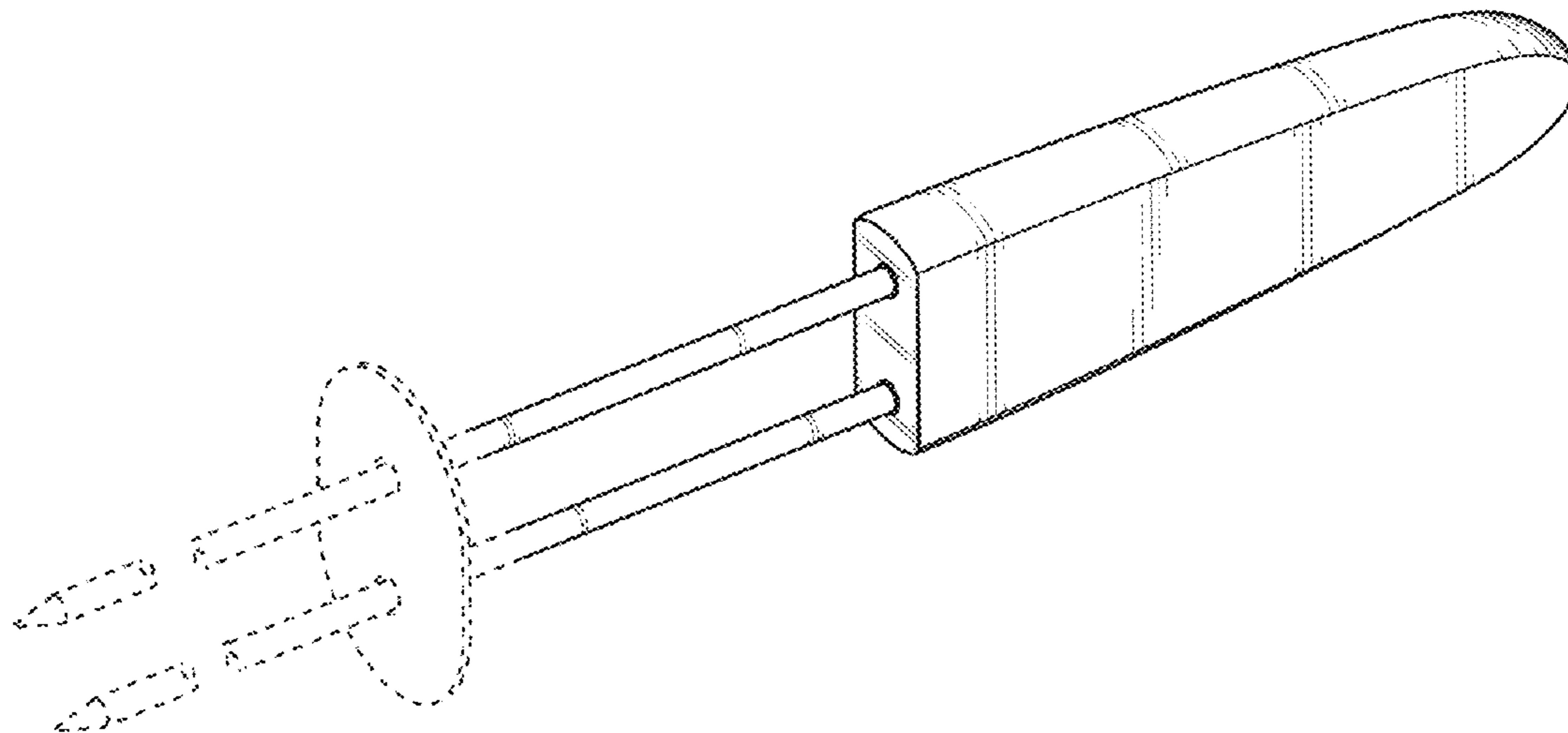
(57) **CLAIM**
The ornamental design for a double pronged skewer, as shown and described.

DESCRIPTION

FIG. 1 is a perspective view of a double pronged skewer in accordance with the present design; FIG. 2 is a top plan view thereof, the bottom plan view being a mirror image thereof; FIG. 3 is a right side elevational view thereof, the left side elevational view being a mirror image thereof; and, FIG. 4 is a front side elevational view thereof. The broken lines shown are included for the purpose of illustrating a portion of the double pronged skewer that forms no part of the claimed design. The stippling in the drawings is for shading purposes only.

- (56) **References Cited**
U.S. PATENT DOCUMENTS
- | | | | | |
|----------------|--------|---------------|-------|--------|
| 5,906,052 A * | 5/1999 | Harmon | | 30/322 |
| D426,429 S | 6/2000 | Zemel | | |
| D474,646 S | 5/2003 | Zemel | | |
| D496,558 S | 9/2004 | Zemel | | |
| 6,877,232 B2 * | 4/2005 | Harmon et al. | | 30/322 |
| D513,926 S | 1/2006 | Zemel | | |
| D524,124 S * | 7/2006 | Tashjian | | D7/683 |
| D528,857 S | 9/2006 | Zemel | | |

1 Claim, 2 Drawing Sheets



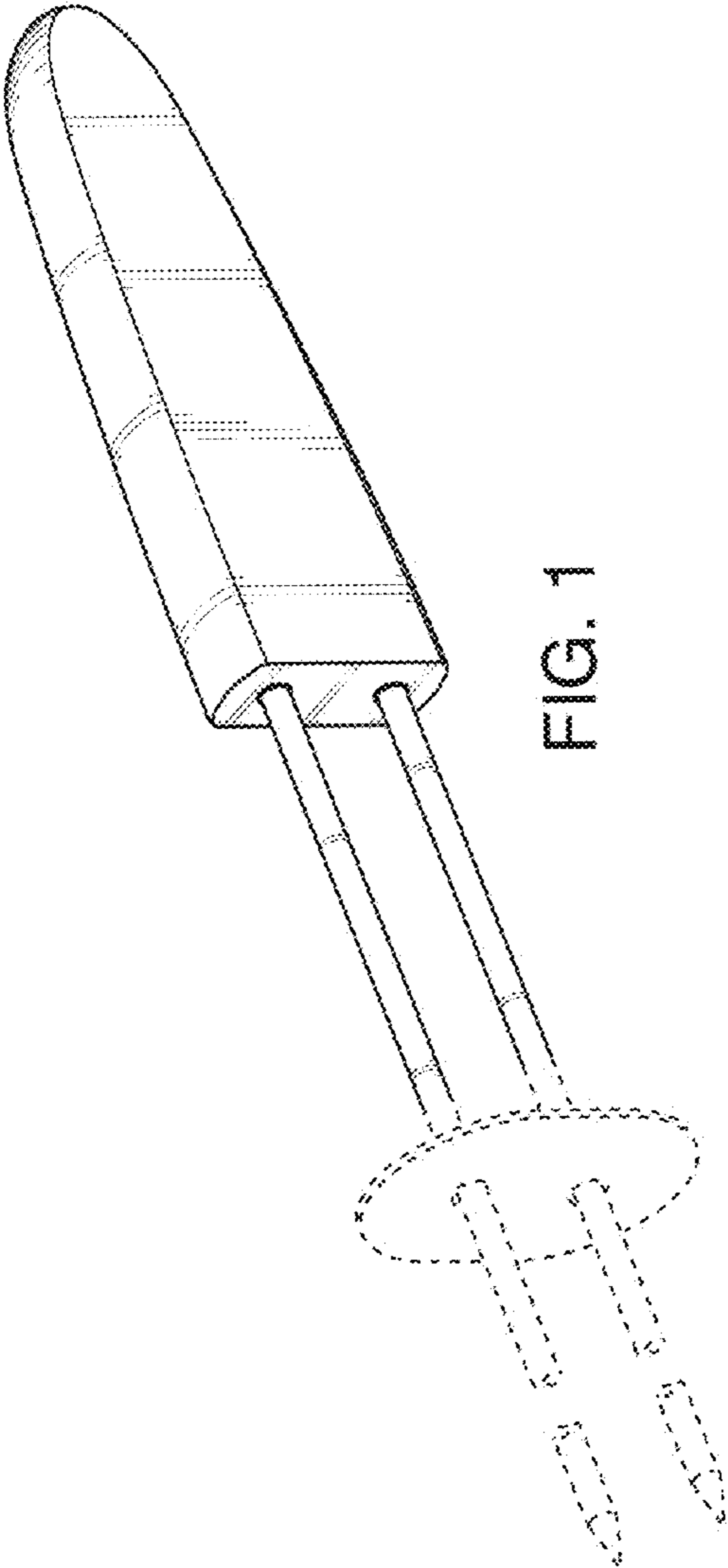


FIG. 1

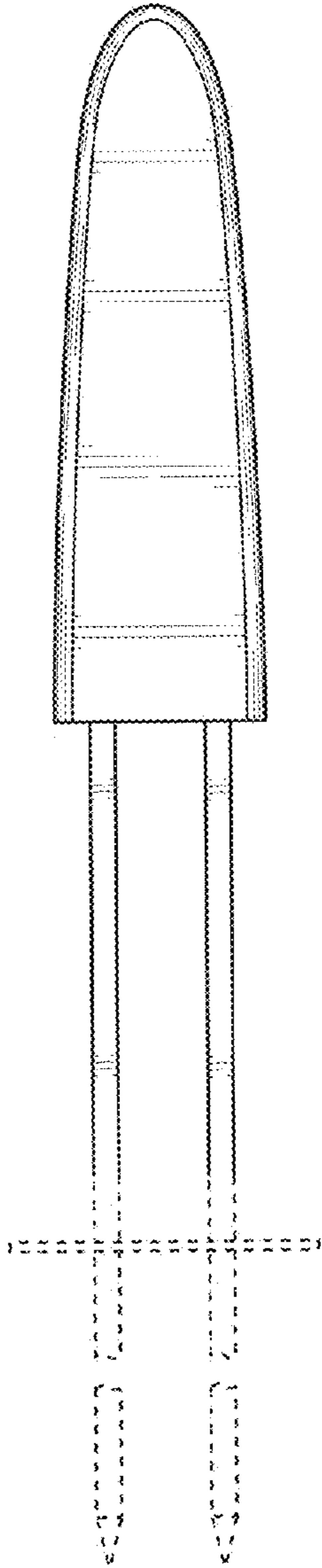


FIG. 2

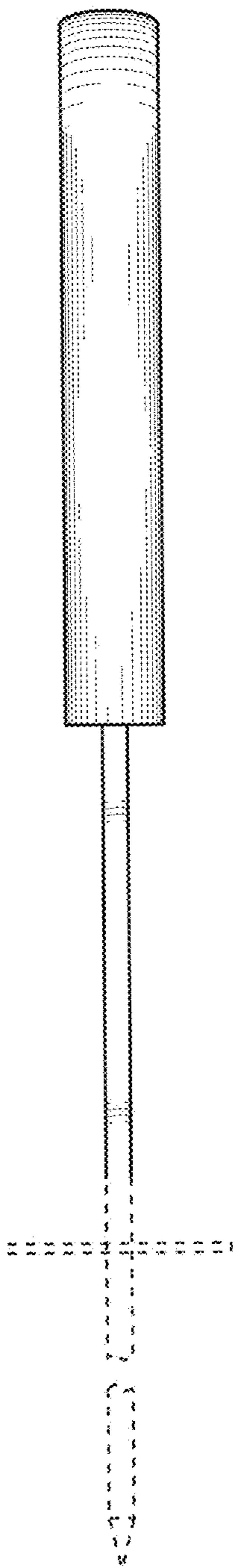


FIG. 3

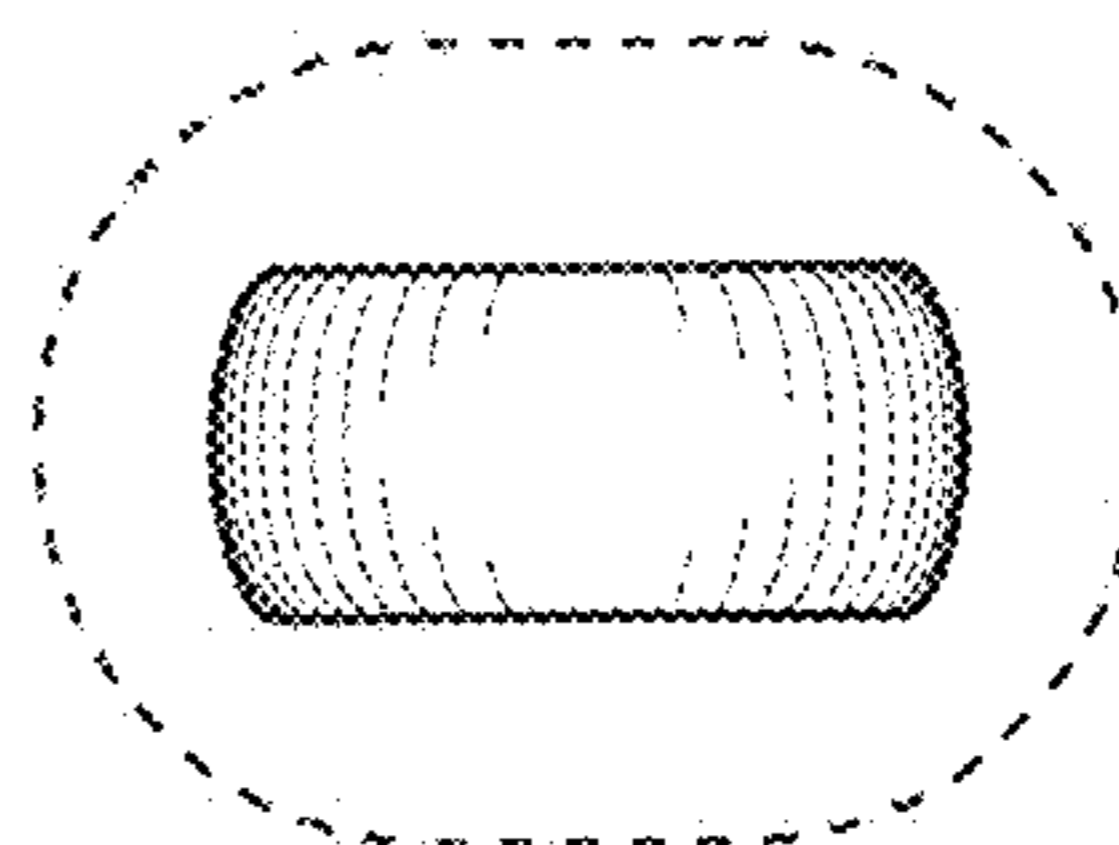


FIG. 4