



US00D694074S

(12) **United States Design Patent**  
**Wong**

(10) **Patent No.:** **US D694,074 S**

(45) **Date of Patent:** **\*\* Nov. 26, 2013**

(54) **ROTARY DRUM GRATER**

(71) Applicant: **Yan Kwong Wong**, Hong Kong (HK)

(72) Inventor: **Yan Kwong Wong**, Hong Kong (HK)

(\*\*) Term: **14 Years**

(21) Appl. No.: **29/451,879**

(22) Filed: **Apr. 10, 2013**

(30) **Foreign Application Priority Data**

Dec. 3, 2012 (HK) ..... 1202372

(51) **LOC (9) Cl.** ..... **07-04**

(52) **U.S. Cl.**  
USPC ..... **D7/678**

(58) **Field of Classification Search**  
USPC ..... D7/678, 672-677, 381-385, 412;  
99/495-510; 83/669, 856, 857, 870,  
83/699.51, 699.61, 932; 241/92-95, 100,  
241/168, 169, 169.1, 273.1-273.4, 30, 33,  
241/36, 37.5; 100/234, 98 R, 110; 30/114,  
30/278, 279.6, 280, 286, 287, 383,  
30/389-391

See application file for complete search history.

(56) **References Cited**

U.S. PATENT DOCUMENTS

D156,557 S *	12/1949	Piker .....	D7/678
3,610,304 A *	10/1971	Popeil et al. ....	241/92
4,214,714 A *	7/1980	Graham .....	241/93
4,227,656 A *	10/1980	Engbretsen .....	241/93
D260,129 S *	8/1981	Shun .....	D7/678
D261,472 S *	10/1981	Graham et al. ....	D7/383
6,464,156 B1 *	10/2002	Wexell .....	241/93
D507,455 S *	7/2005	Bertulis .....	D7/376

\* cited by examiner

*Primary Examiner* — Terry Wallace

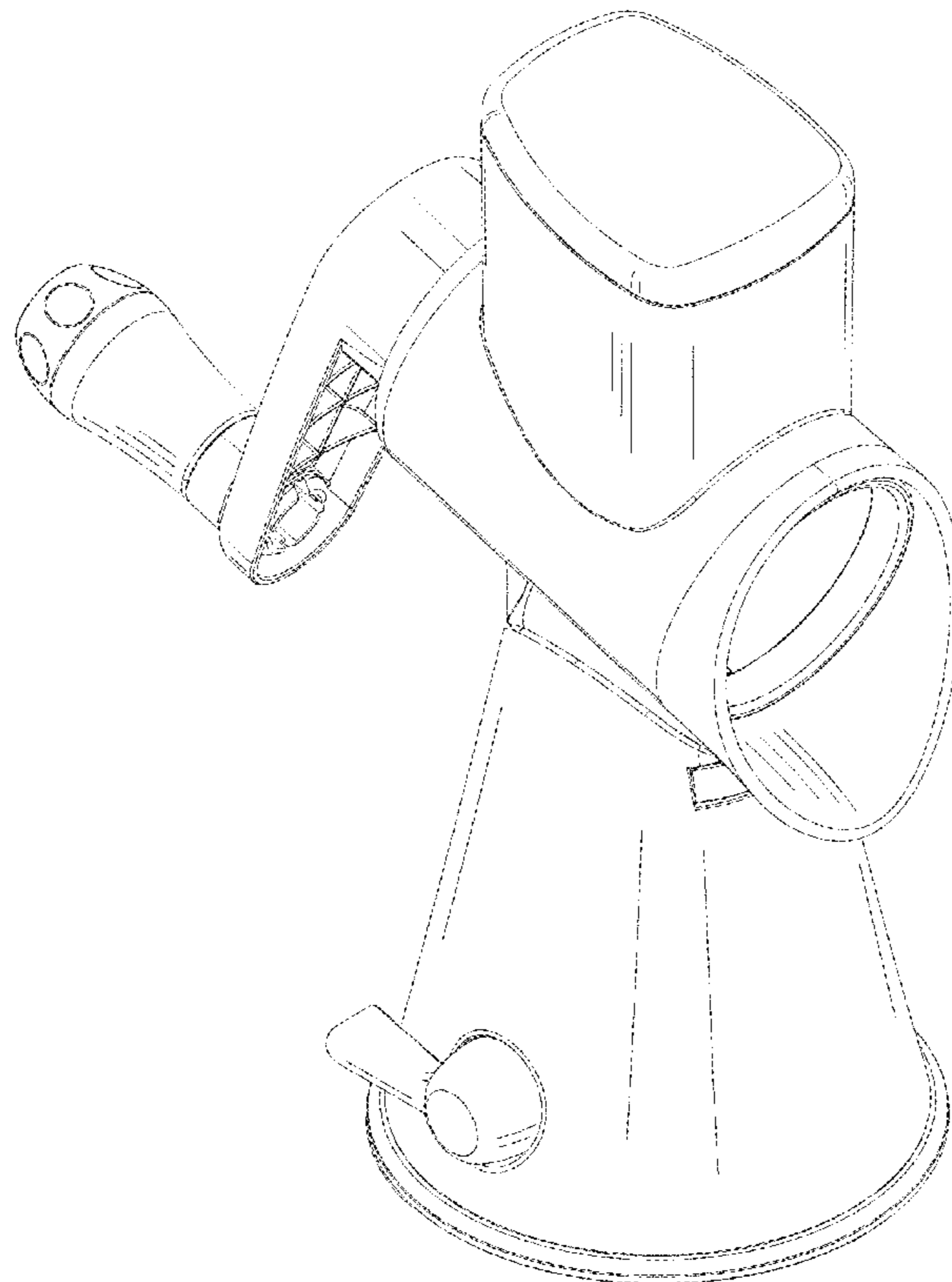
(57) **CLAIM**

The ornamental design for a rotary drum grater, as shown and described.

**DESCRIPTION**

FIG. 1 is a front view of a rotary drum grater of my new design;  
FIG. 2 is a rear view of the rotary drum grater thereof;  
FIG. 3 is a top view of the rotary drum grater thereof;  
FIG. 4 is a bottom view of the rotary drum grater thereof;  
FIG. 5 is a left side view of the rotary drum grater thereof;  
FIG. 6 is a right side view of the rotary drum grater thereof;  
and,  
FIG. 7 is a perspective view of the rotary drum grater thereof.

**1 Claim, 7 Drawing Sheets**



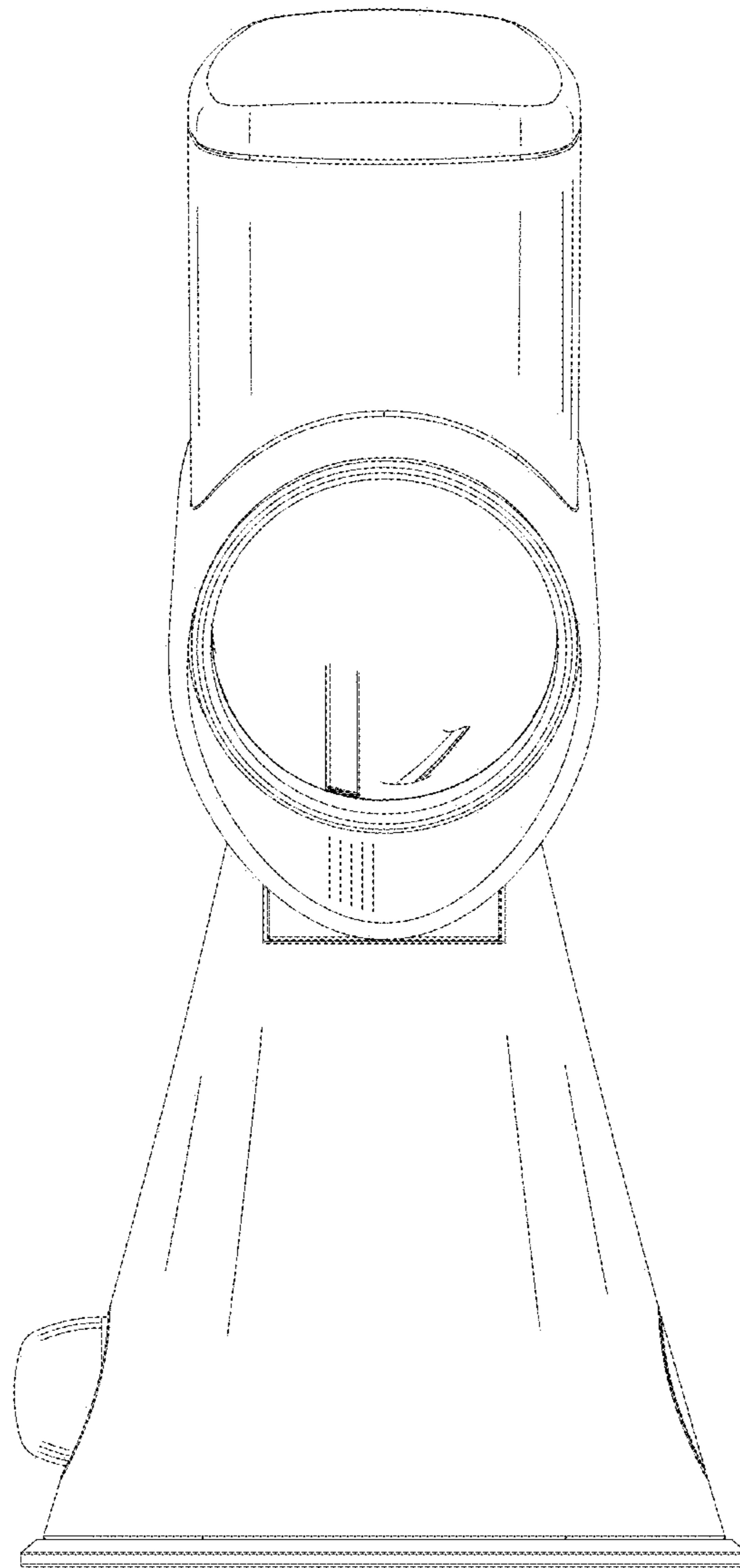


Fig. 1

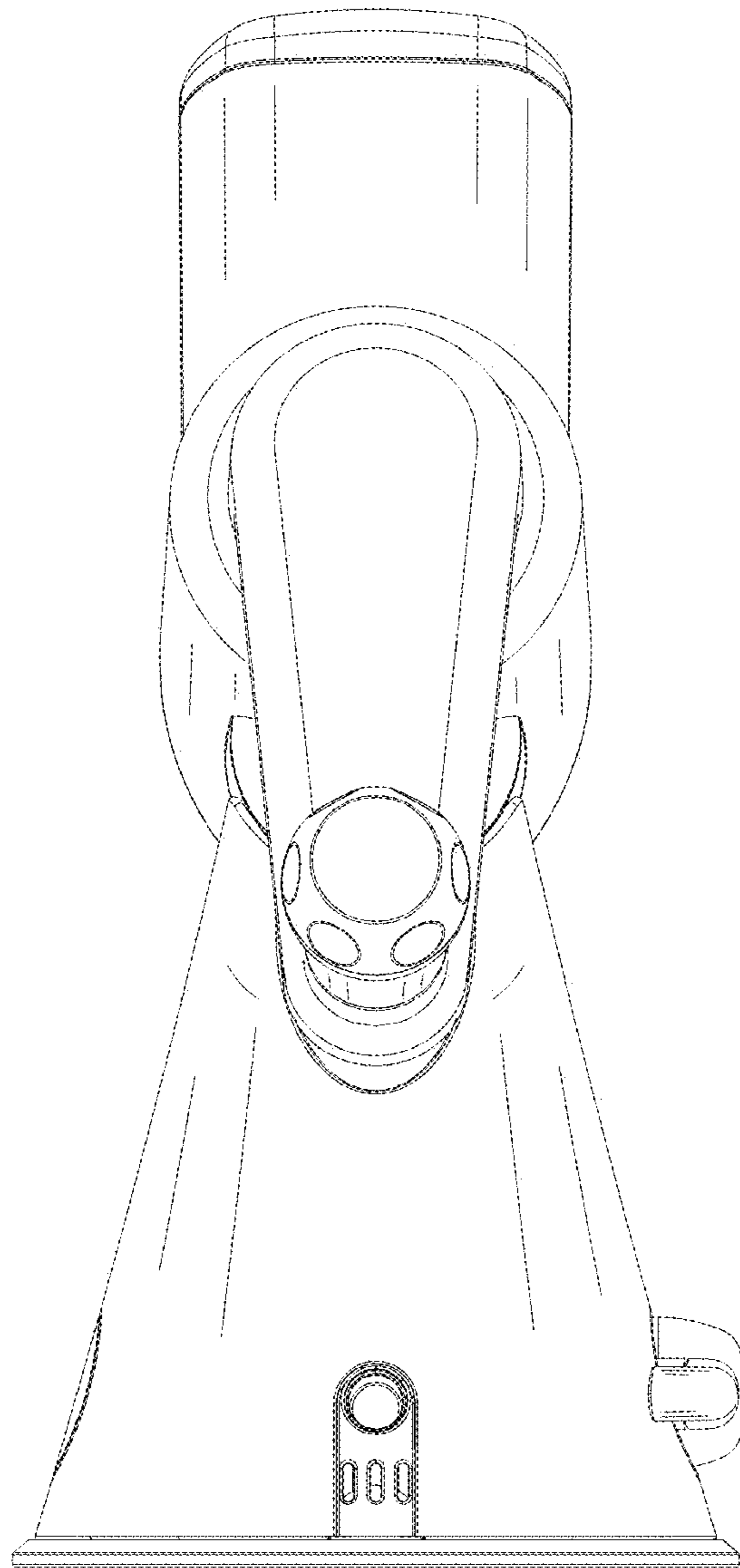


Fig. 2

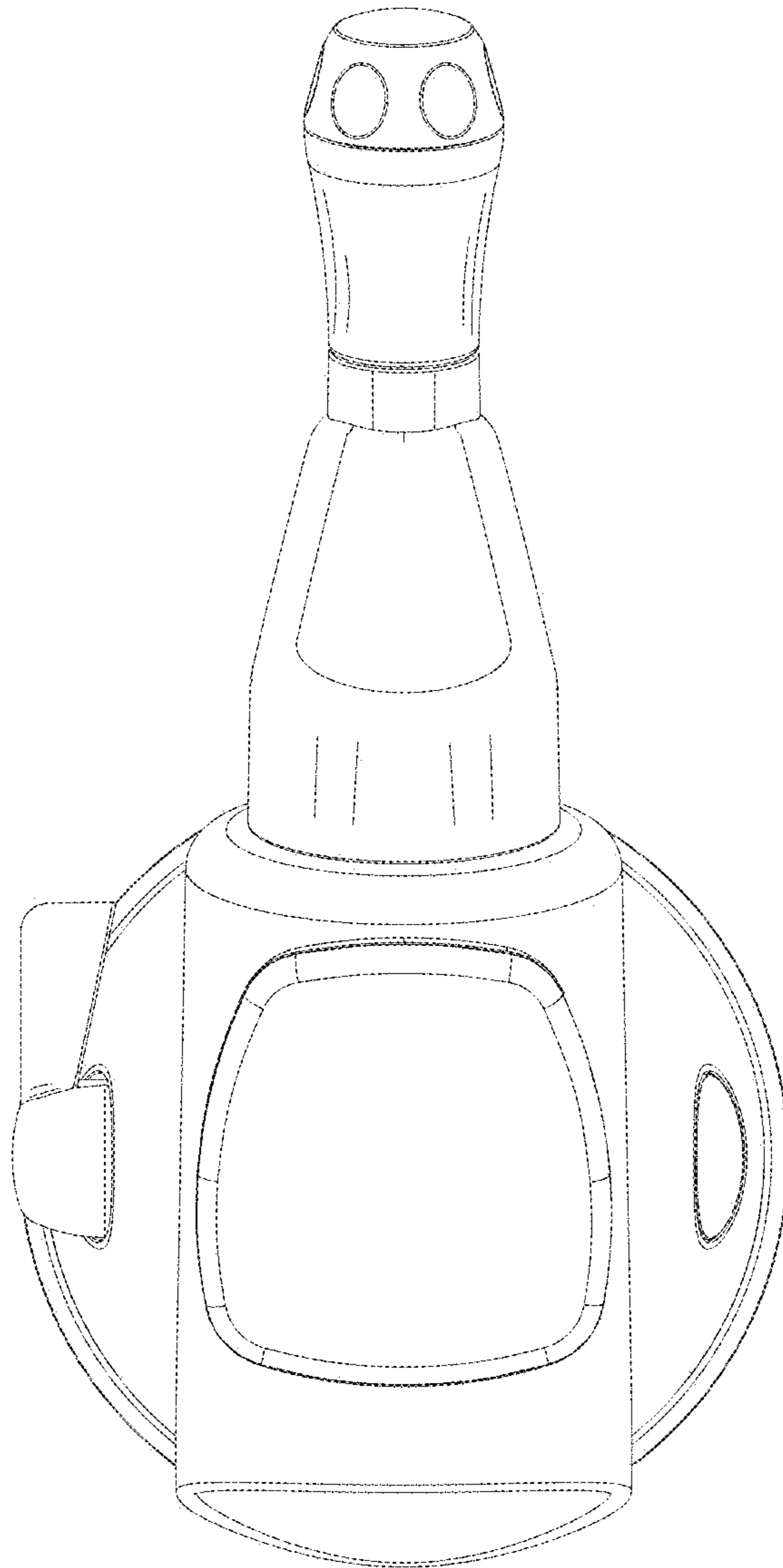


Fig. 3

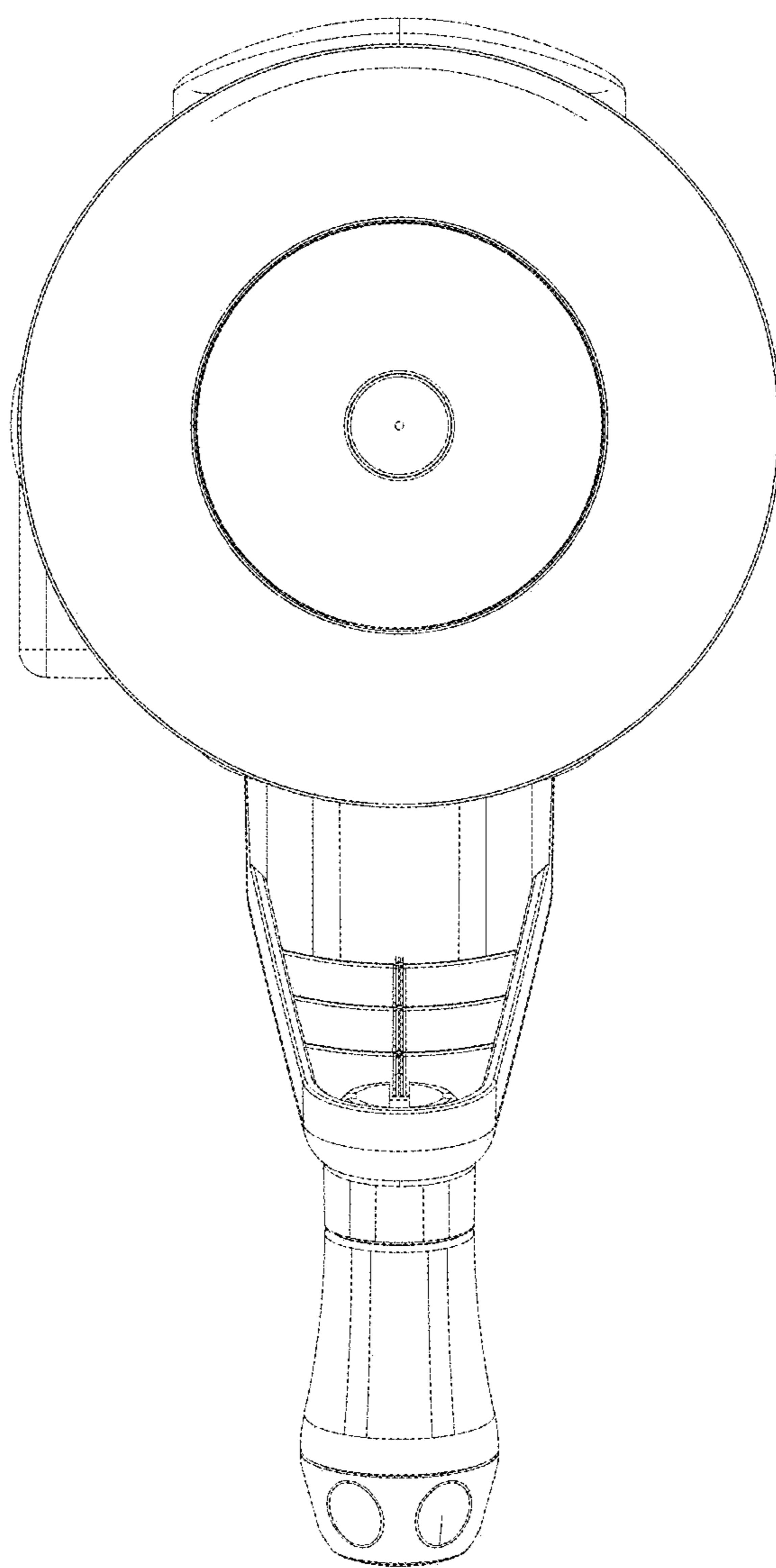


Fig. 4

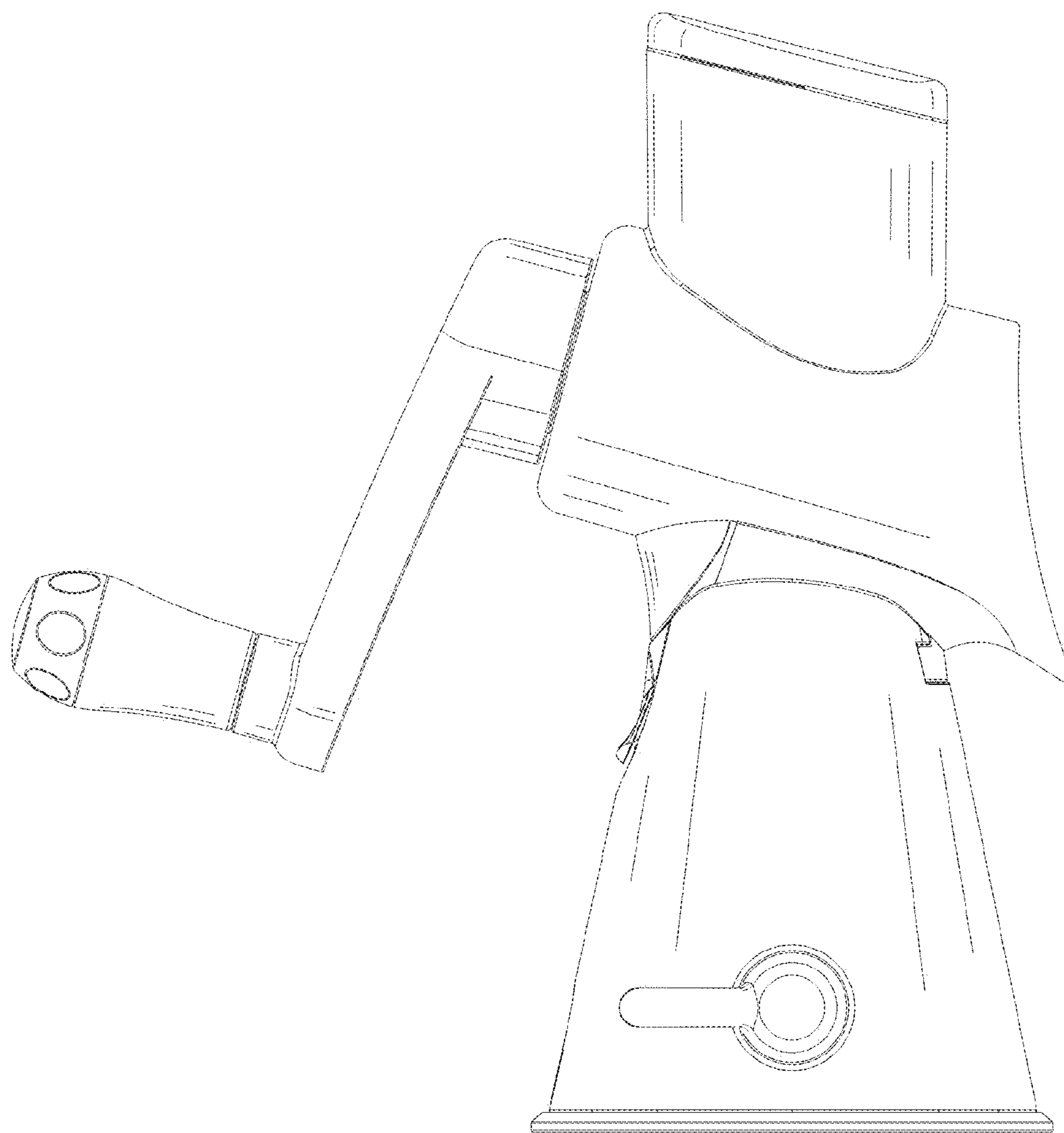


Fig. 5

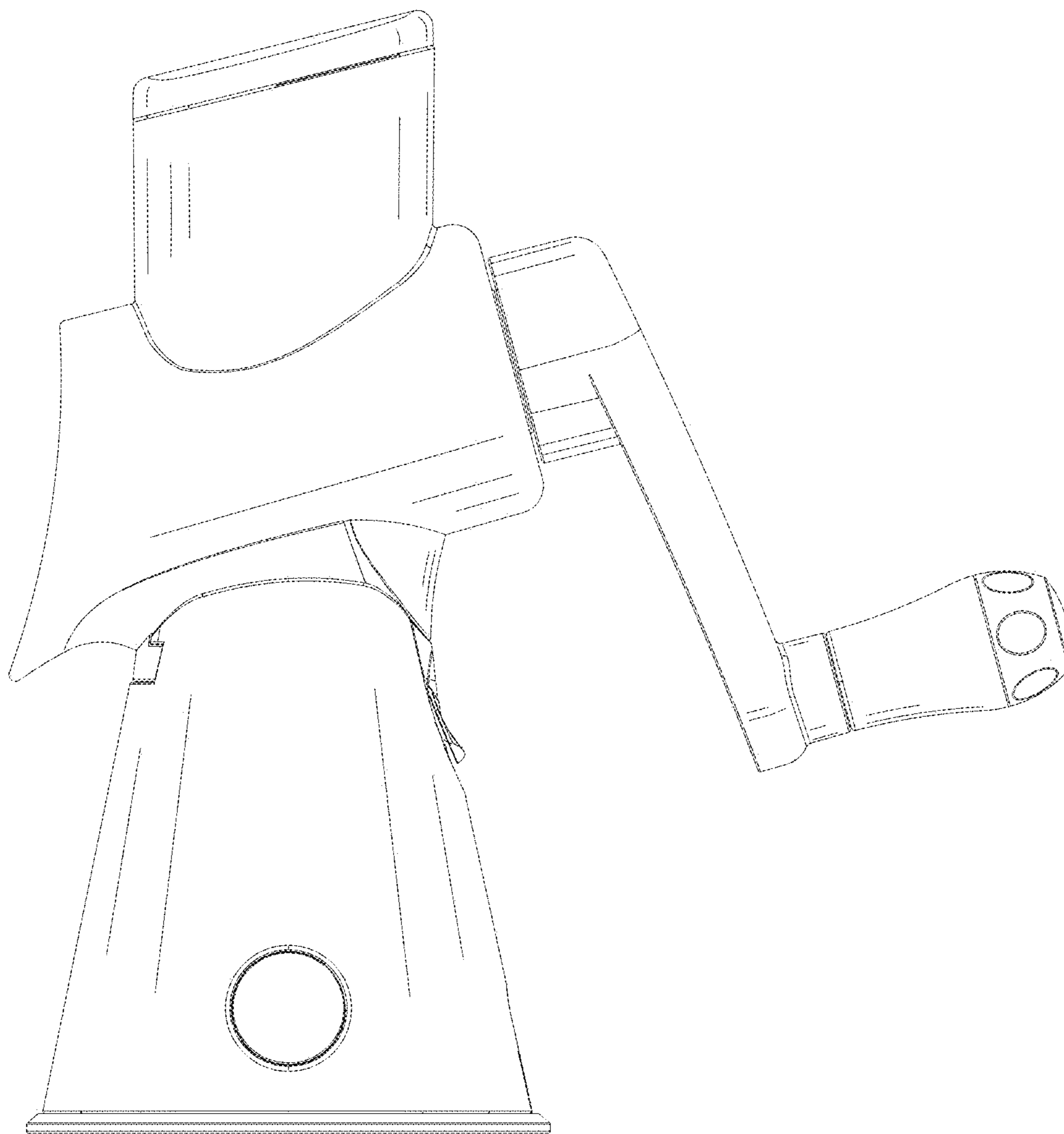


Fig. 6

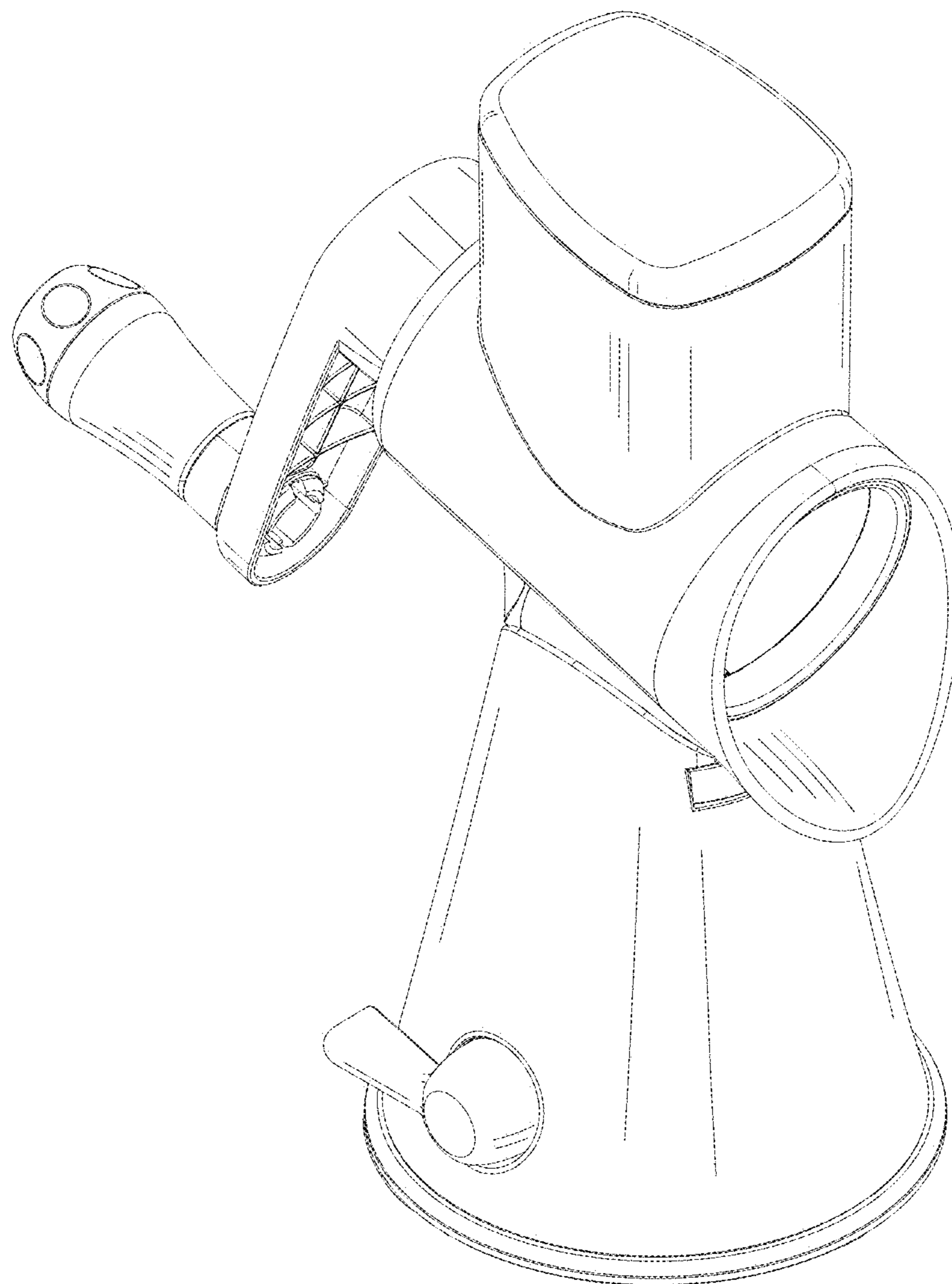


Fig. 7