

US00D694072S

(12) **United States Design Patent**
Qin

(10) **Patent No.:** **US D694,072 S**

(45) **Date of Patent:** **** Nov. 26, 2013**

(54) **KNIFE BLADE**

(71) Applicant: **Zhang Qin**, Guangdong (CN)

(72) Inventor: **Zhang Qin**, Guangdong (CN)

(73) Assignee: **Sino Houseware Industries Company Limited**, Mongkok, Kowloon (HK)

(**) Term: **14 Years**

(21) Appl. No.: **29/447,176**

(22) Filed: **Mar. 1, 2013**

(51) **LOC (9) Cl.** **07-03**

(52) **U.S. Cl.**
USPC **D7/650; D7/649**

(58) **Field of Classification Search**
USPC D7/368, 393-395, 401.2, 642-646,
D7/649-654, 660-664, 669, 675-676, 683,
D7/688-692, 695-696; D8/25, 83, 98-99,
D8/107, 303; D24/147; 30/115, 137,
30/141-143, 147-150, 322-327, 329, 335,
30/340, 342-348, 355; 76/104.1; 416/70 R
See application file for complete search history.

(56) **References Cited**

U.S. PATENT DOCUMENTS

437,325	A *	9/1890	Barclay	30/355
486,426	A *	11/1892	Brooks	30/348
495,110	A *	4/1893	Hayes et al.	30/355
2,803,876	A *	8/1957	Nelson	30/115

D248,166	S *	6/1978	Kanai	D24/147
D248,167	S *	6/1978	Kanai	D24/147
D269,244	S *	6/1983	Becher et al.	D7/650
D324,326	S *	3/1992	Lu	D7/650
5,241,883	A *	9/1993	Coppier	76/104.1
D468,973	S *	1/2003	Sun	D7/650
D545,637	S *	7/2007	Curtin	D7/650
D554,949	S *	11/2007	Hood	D7/650
D626,795	S *	11/2010	Hollinger	D7/650

* cited by examiner

Primary Examiner — Ricky Pham

(74) *Attorney, Agent, or Firm* — Malin Haley DiMaggio & Bowen, P.A.

(57) **CLAIM**

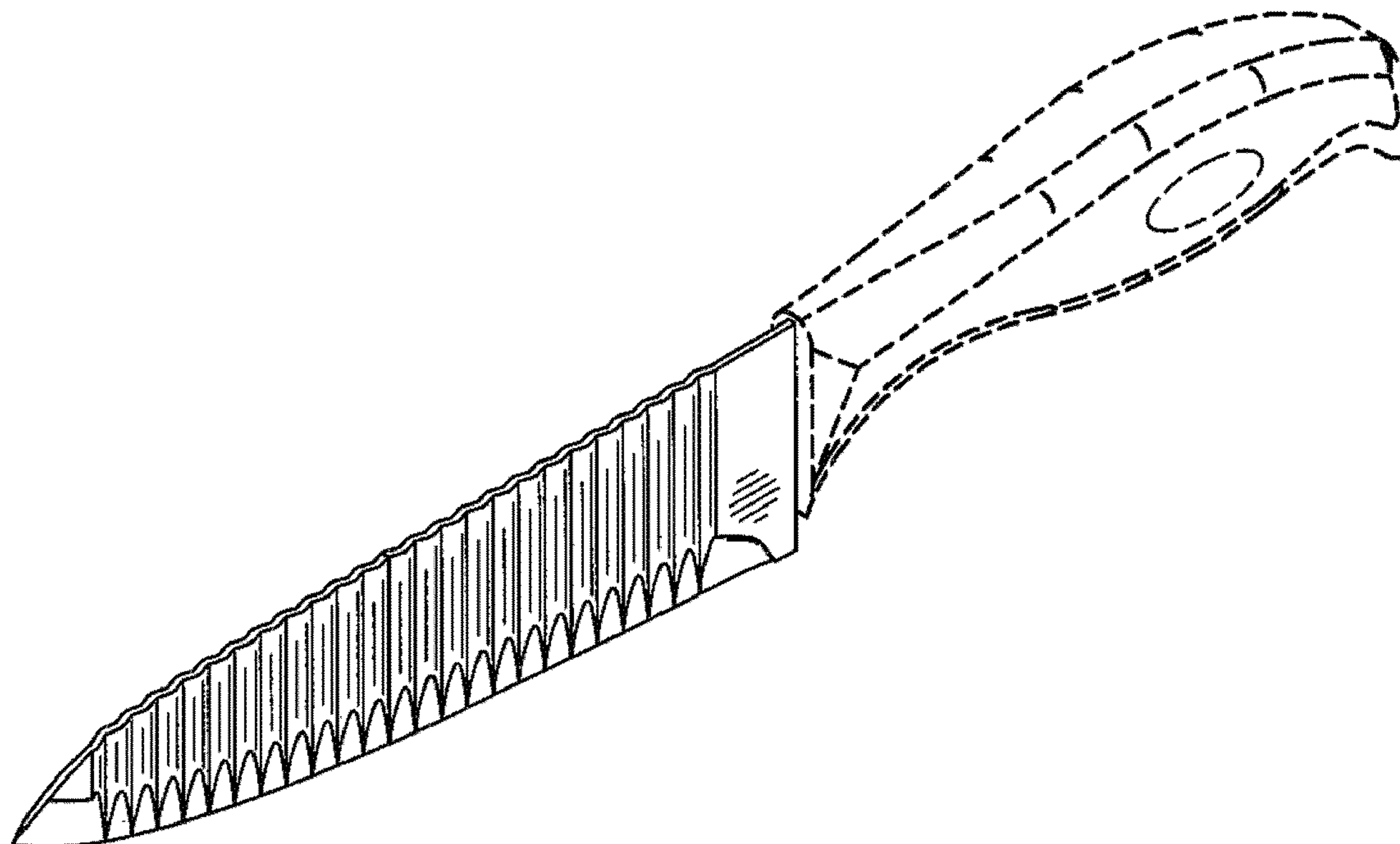
The ornamental design for a knife blade, as shown and described.

DESCRIPTION

FIG. 1 is a front perspective view of the present invention, showing the knife blade of the new design;
FIG. 2 is a rear perspective view thereof;
FIG. 3 is a right side elevational view thereof;
FIG. 4 is a left side elevational view thereof;
FIG. 5 is a top plan view thereof;
FIG. 6 is a bottom plan front elevational view thereof;
FIG. 7 is a front elevational view thereof; and,
FIG. 8 is a back elevational view thereof.

The broken lines shown in the drawings are for illustrative purposes only and form no part of the claimed design.

1 Claim, 3 Drawing Sheets



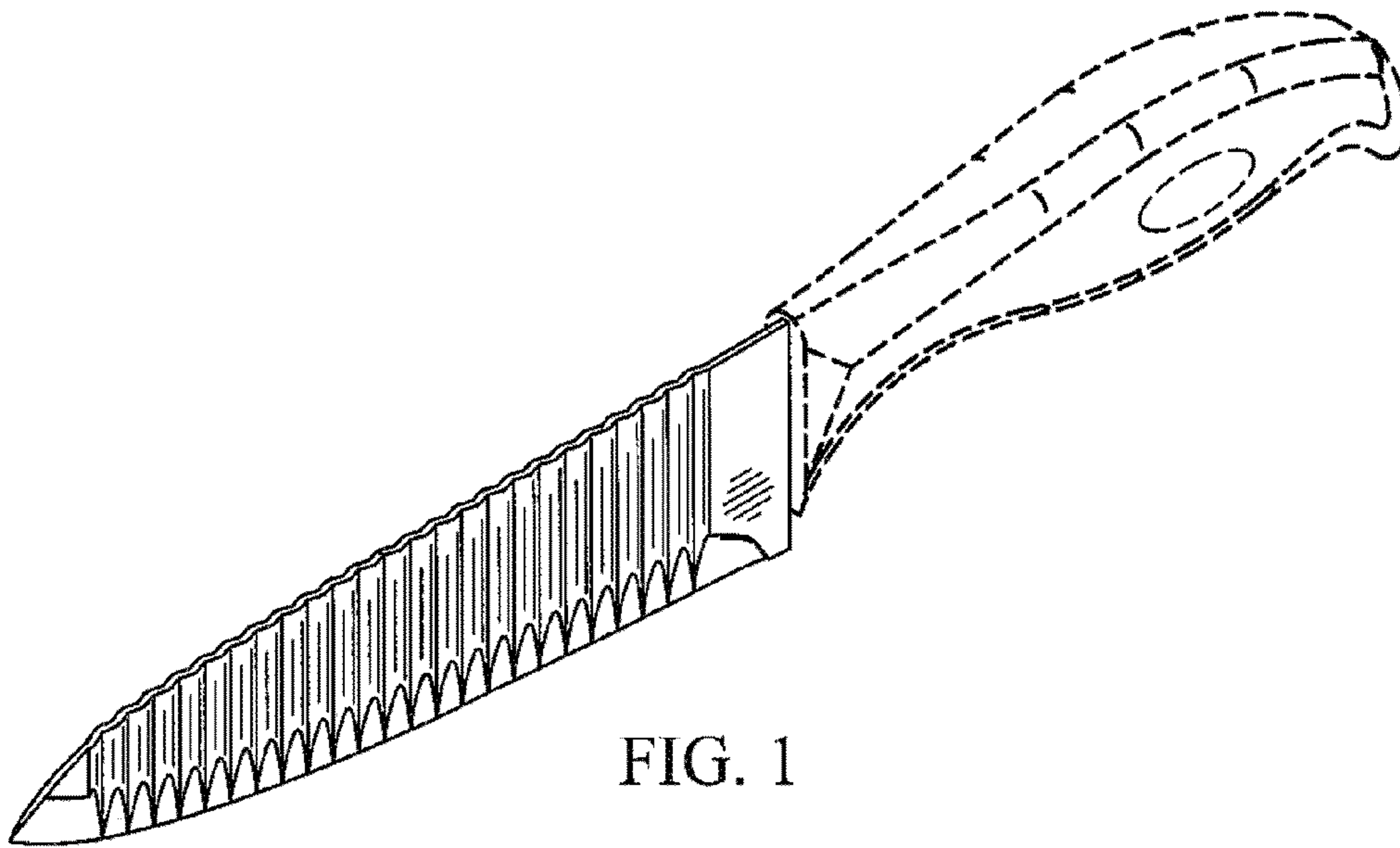


FIG. 1

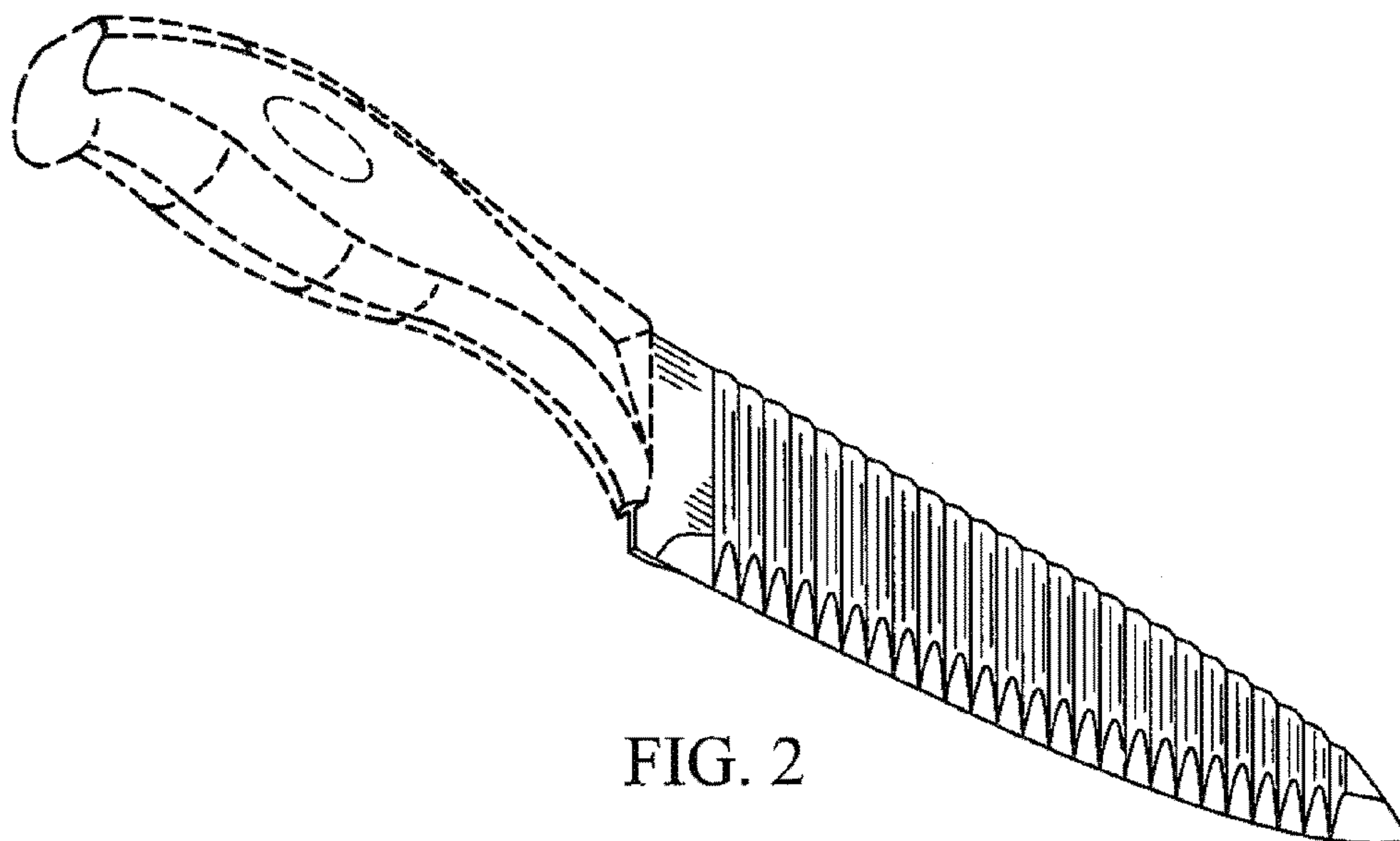


FIG. 2

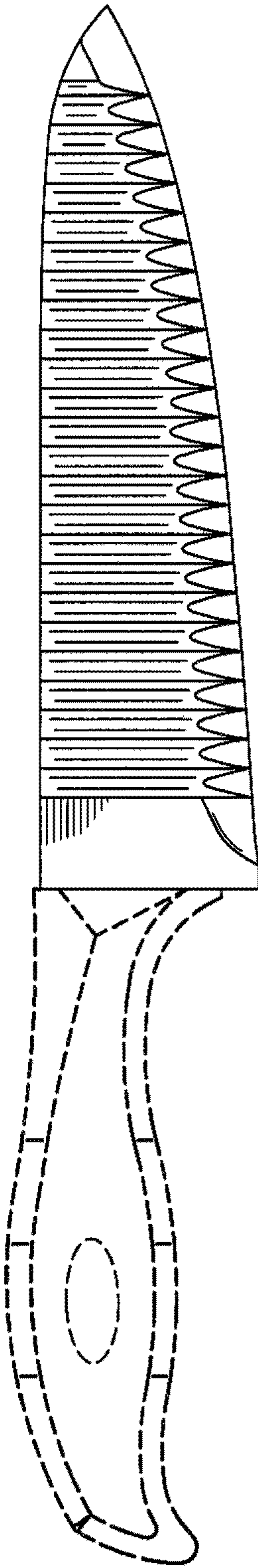


FIG. 3

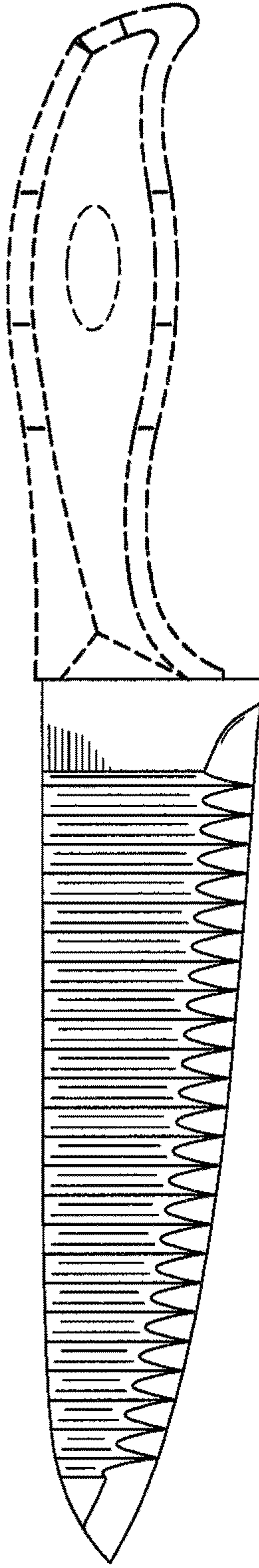


FIG. 4

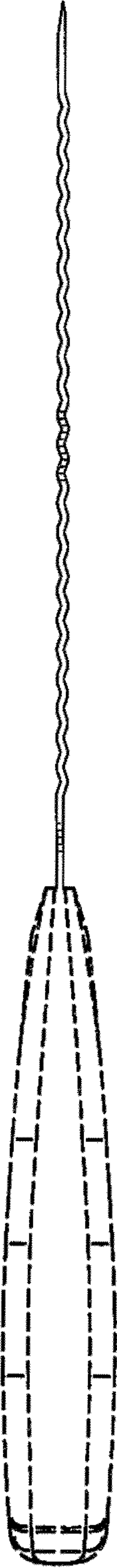


FIG. 5

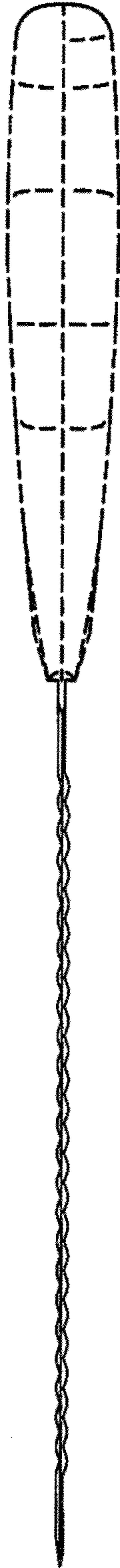


FIG. 6

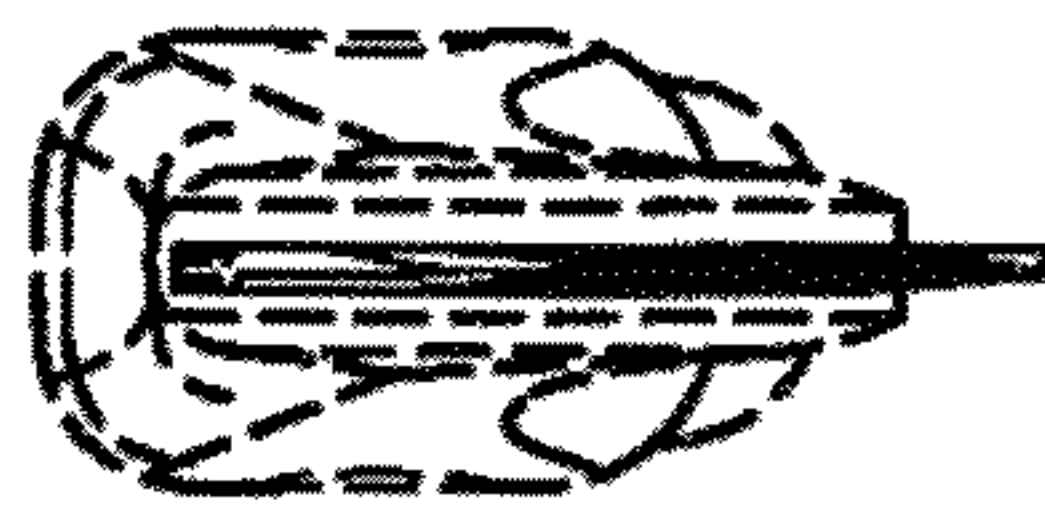


FIG. 7

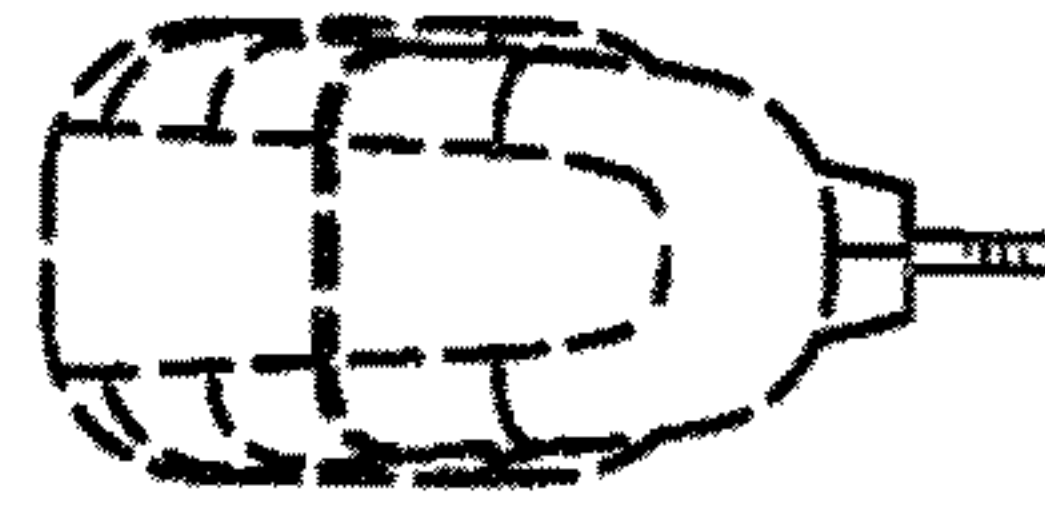


FIG. 8