



US00D694070S

(12) **United States Design Patent**
Torres

(10) **Patent No.:** **US D694,070 S**

(45) **Date of Patent:** **** Nov. 26, 2013**

(54) **WATER COOLER**

(71) Applicant: **Florencio Torres**, Goliad, TX (US)

(72) Inventor: **Florencio Torres**, Goliad, TX (US)

(**) Term: **14 Years**

(21) Appl. No.: **29/435,296**

(22) Filed: **Oct. 23, 2012**

(51) **LOC (9) Cl.** **07-01**

(52) **U.S. Cl.**

USPC **D7/605**

(58) **Field of Classification Search**

USPC D7/605-608, 629; 220/592.03, 592.18,
220/915.1, 915.2, 592.2, 592.01, 592.16,
220/592.17; 280/87.043, 30, 79.2, 655,
280/47.26, 645, 655.1, 652, 638, 47.131,
280/47.17, 47.23, 47.33, 47.2, 47.24,
280/47.21; 62/457.1-457.9, 331, 371, 372,
62/258

See application file for complete search history.

(56) **References Cited**

U.S. PATENT DOCUMENTS

1,998,681 A * 4/1935 Littleford, Jr. 62/457.1
3,395,550 A * 8/1968 Dungan 62/400

3,959,982 A * 6/1976 Denis et al. 62/223
4,024,731 A * 5/1977 Branscum 62/457.2
4,515,421 A * 5/1985 Steffes 312/351
5,373,708 A * 12/1994 Dumoulin, Jr. 62/457.7
D375,022 S * 10/1996 Smith D7/605
6,193,097 B1 * 2/2001 Martin Perianes 220/592.03
D503,413 S * 3/2005 Diaz D15/83
D551,259 S * 9/2007 Wilson D15/79
D587,972 S * 3/2009 Dorisca et al. D7/605

* cited by examiner

Primary Examiner — Terry Wallace

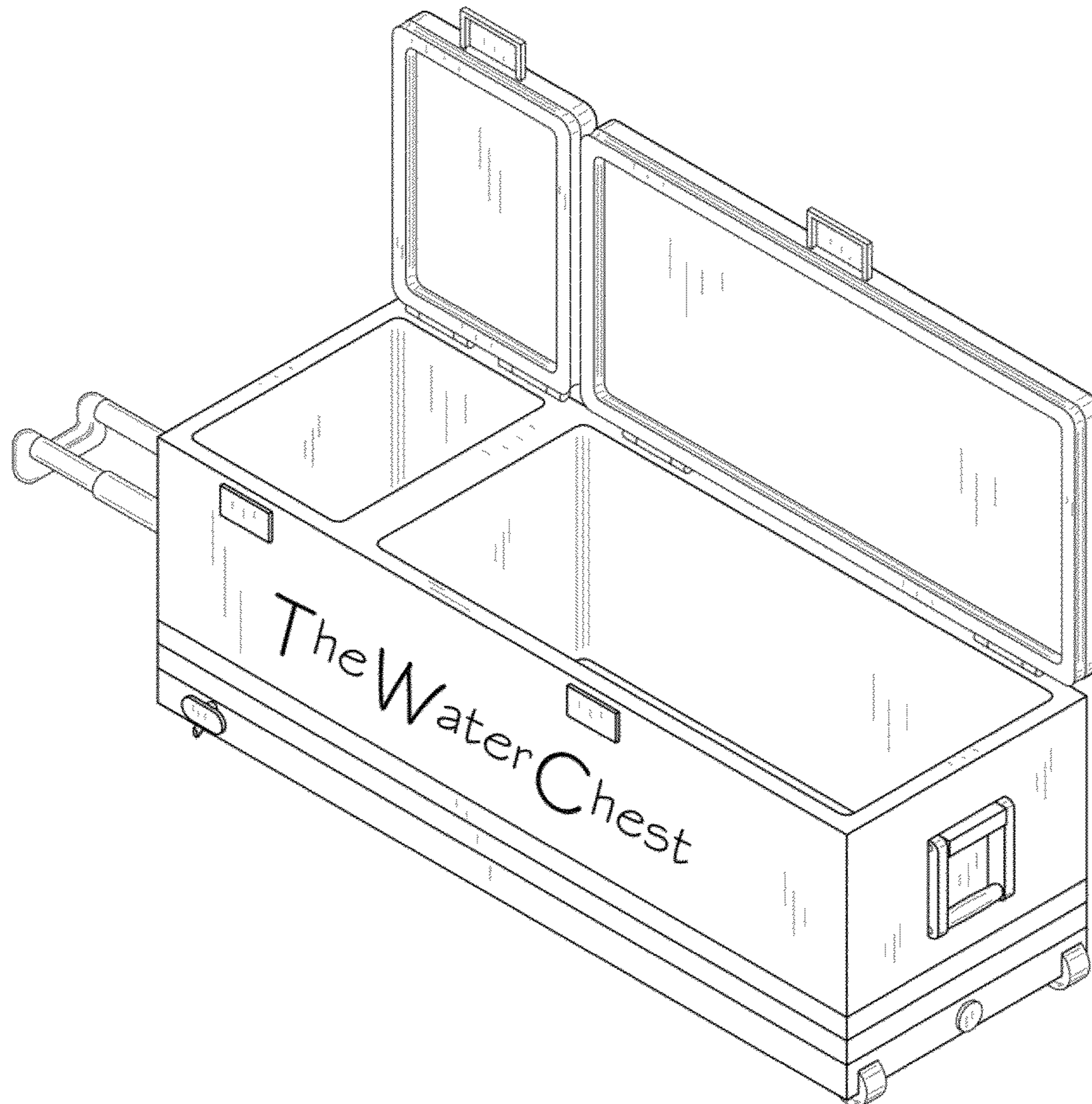
(57) **CLAIM**

I claim the ornamental design for the water cooler, as shown and described.

DESCRIPTION

FIG. 1 is a front view of the water cooler.
FIG. 2 is a rear view of the claimed design.
FIG. 3 is a left side view of the claimed design.
FIG. 4 is a right side view of the claimed design.
FIG. 5 is a top view of the claimed design.
FIG. 6 as a bottom view of the claimed design.
FIG. 7 is an isometric view of the claimed design; and,
FIG. 8 is a cross sectional view thereof taken along line 8-8 of FIG. 1; detailing the shape of each compartment within the chest portion of the water cooler.

1 Claim, 6 Drawing Sheets



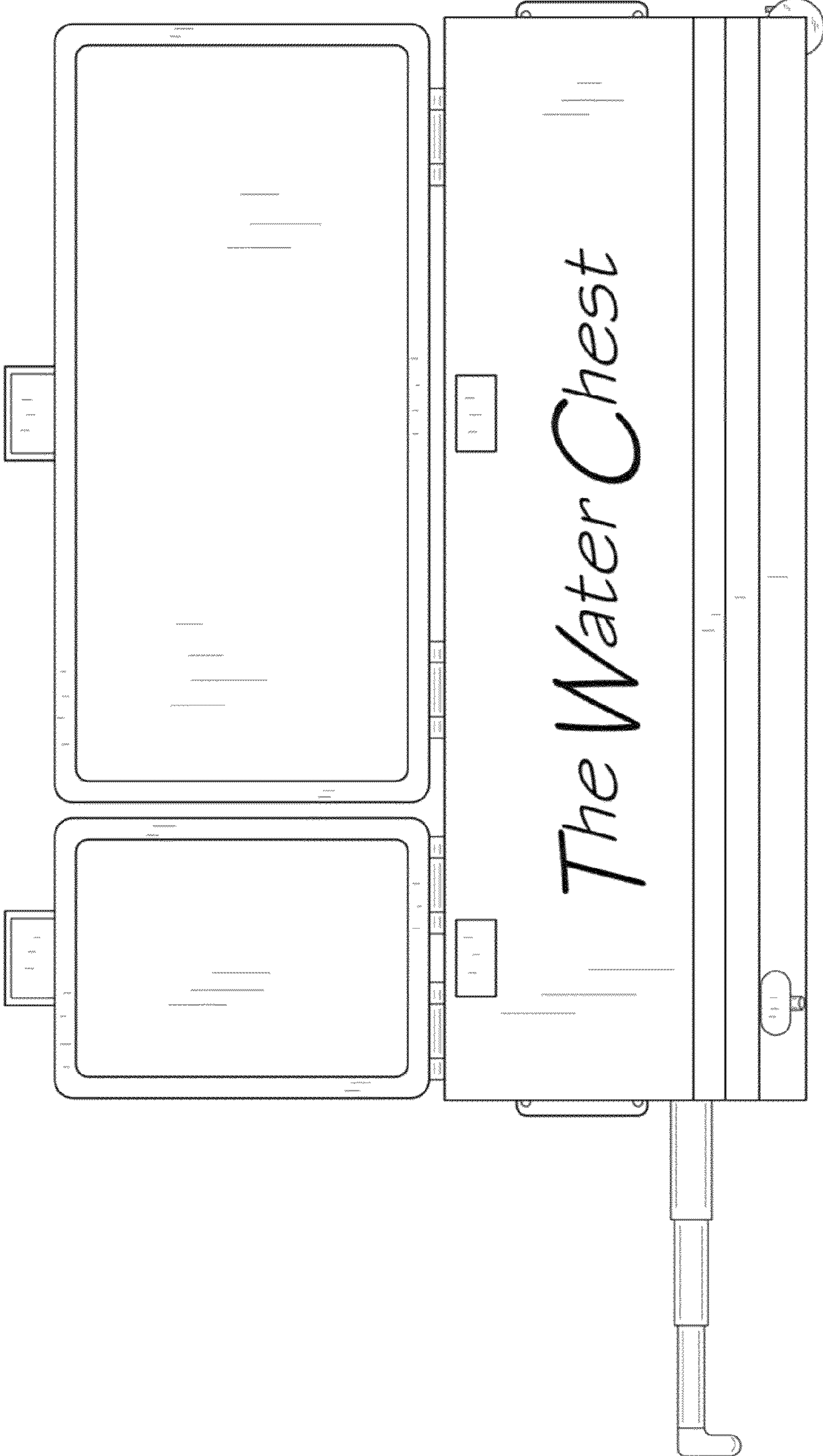


FIG. 1

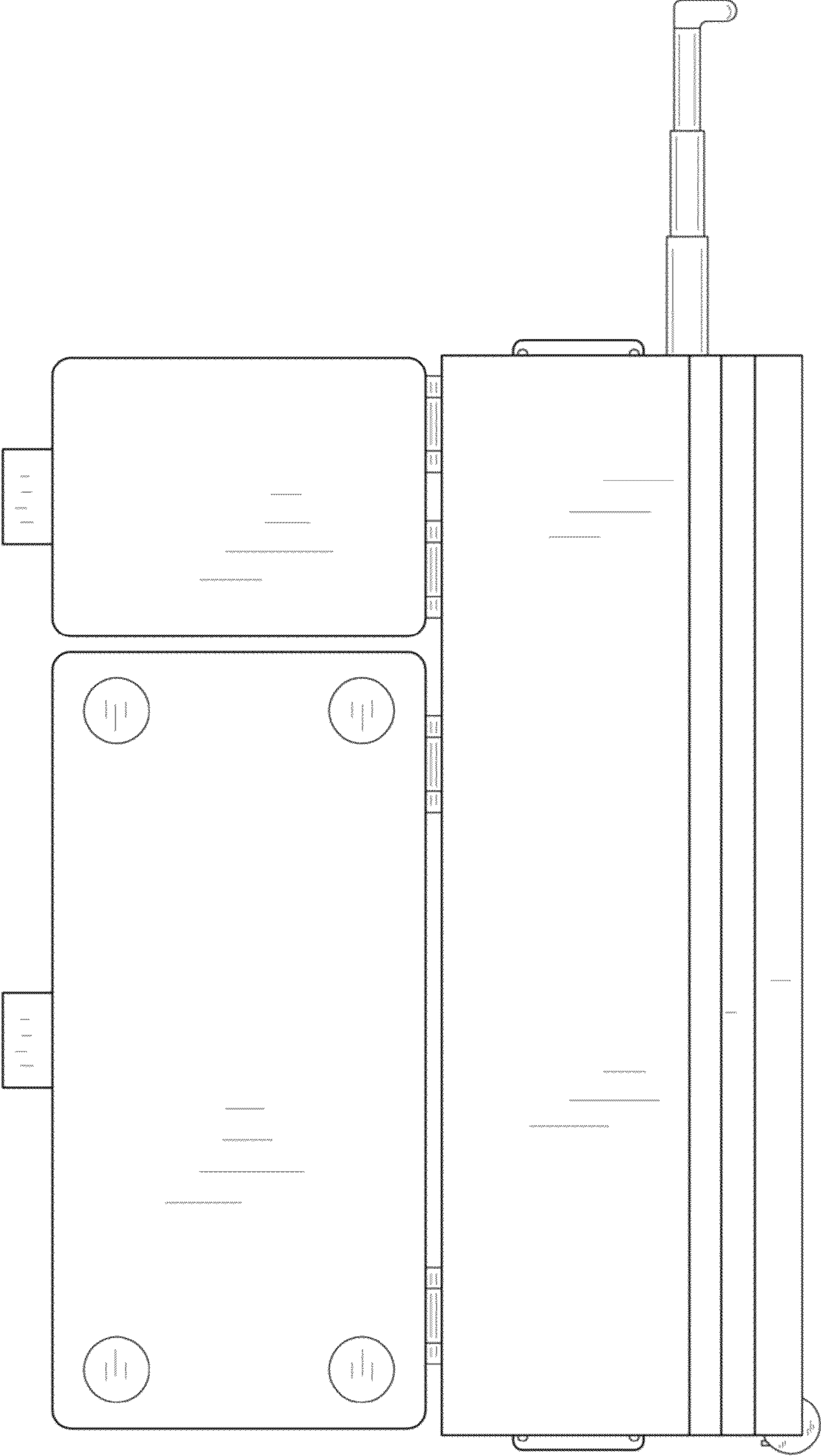


FIG. 2

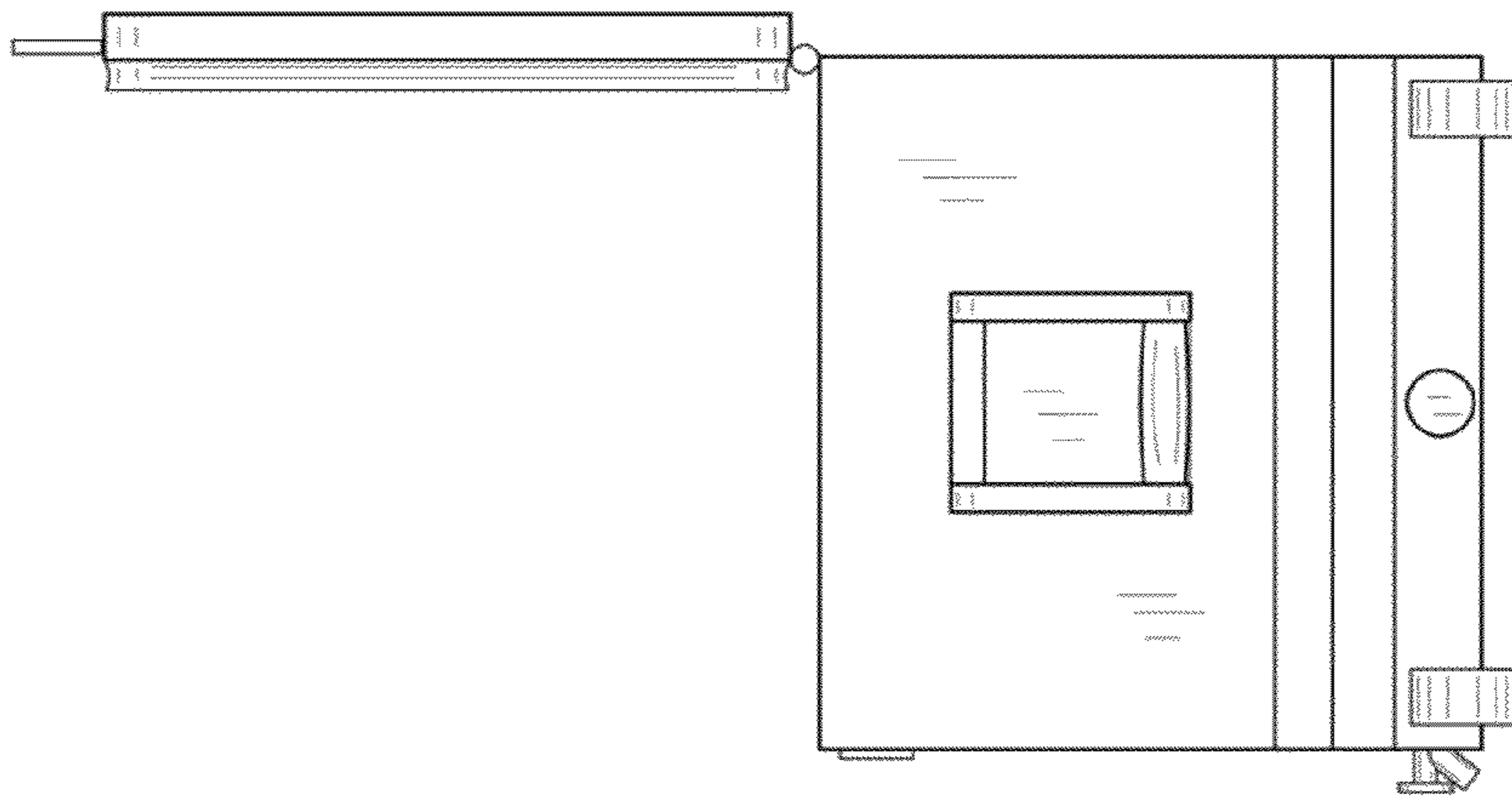


FIG. 4

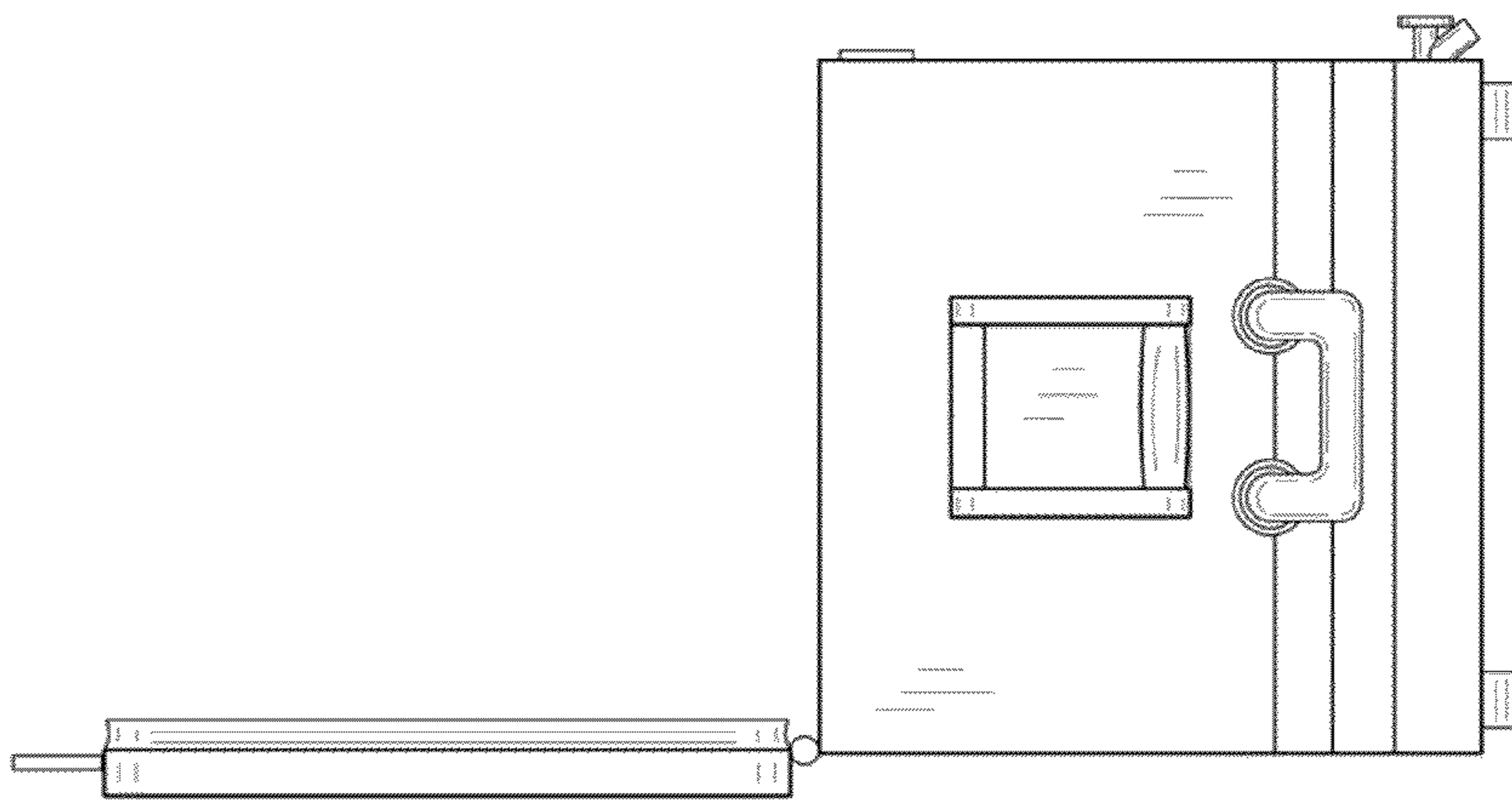


FIG. 3

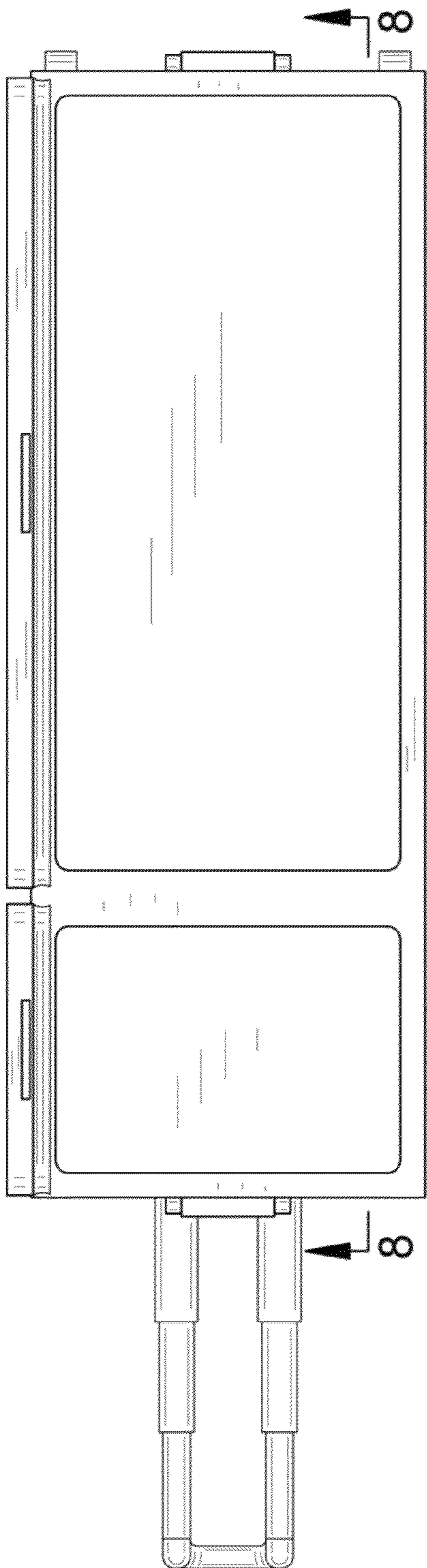


FIG. 5

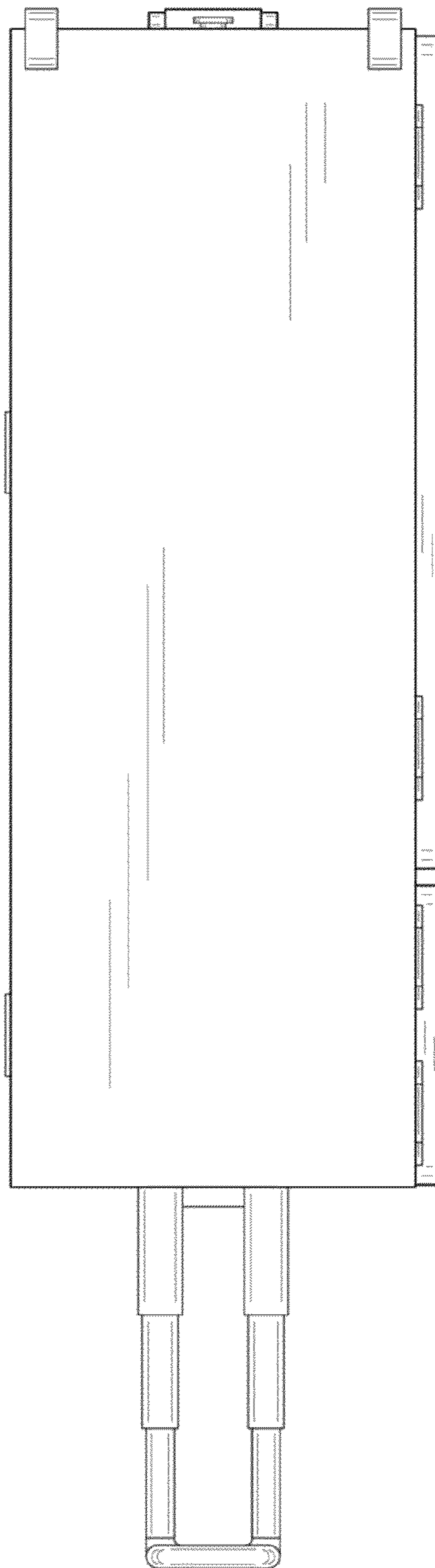


FIG. 6

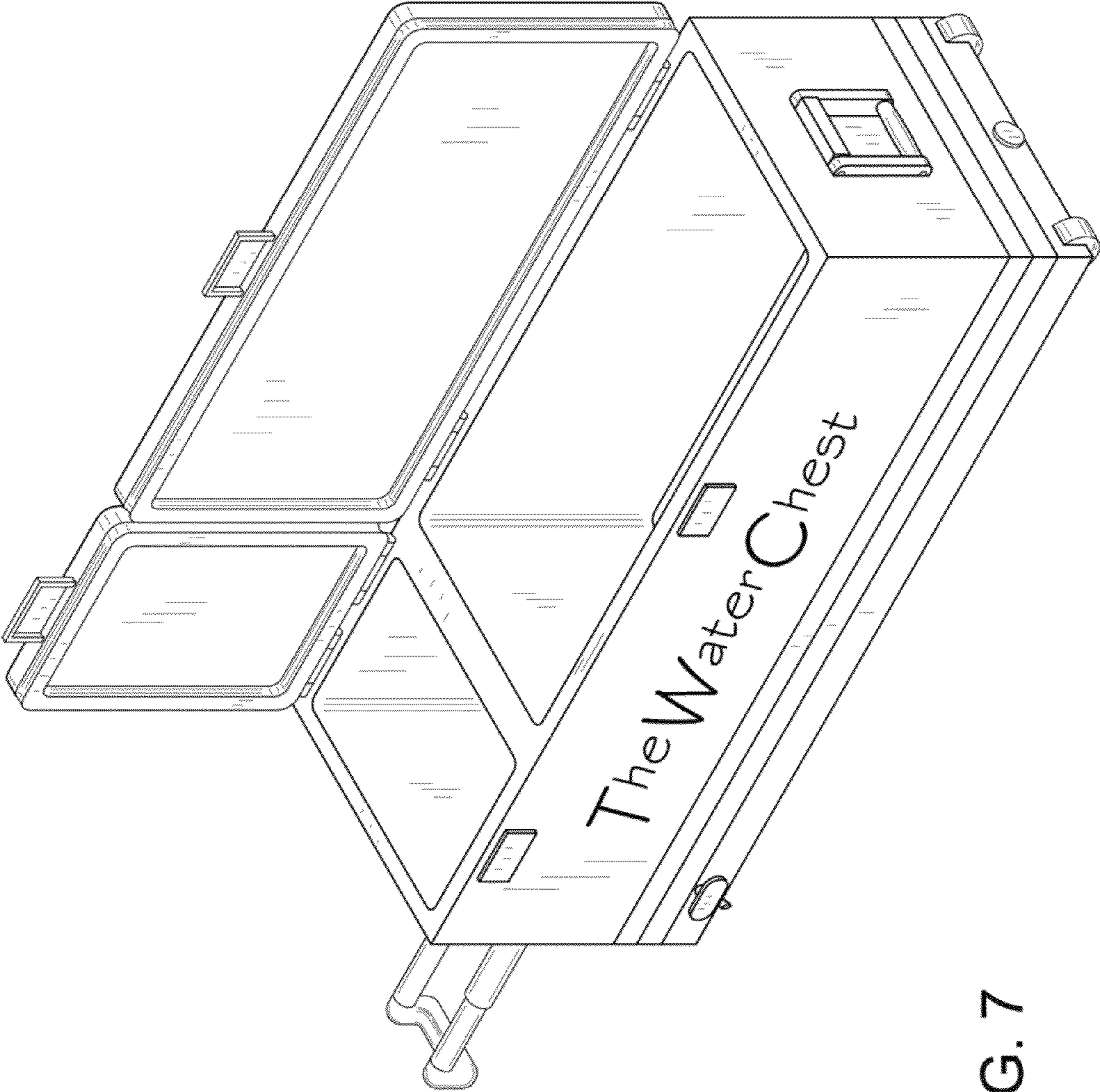


FIG. 7

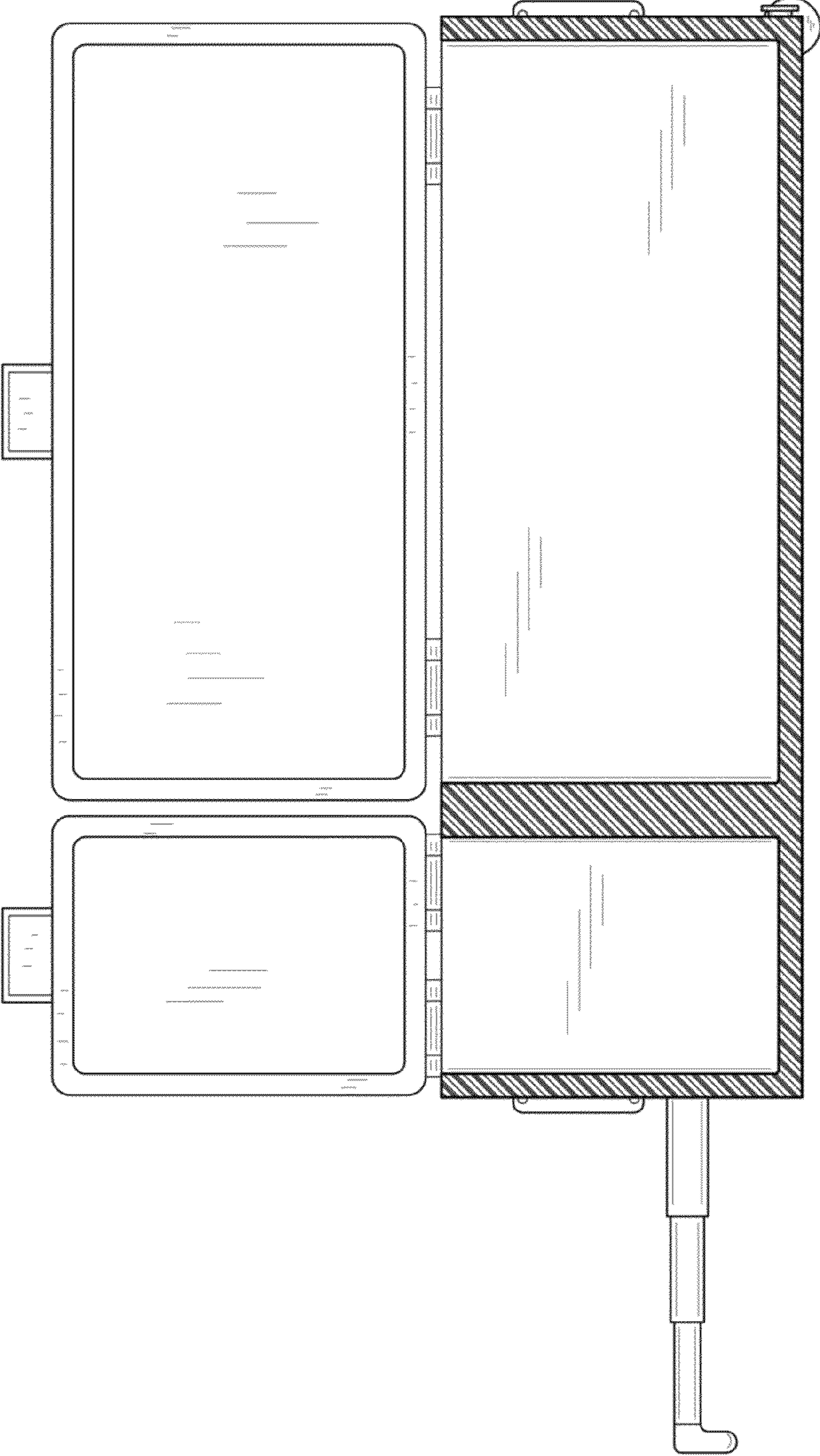


FIG. 8