

US00D694067S

(12) **United States Design Patent**  
**Chan et al.**

(10) **Patent No.:** **US D694,067 S**  
(45) **Date of Patent:** **\*\* Nov. 26, 2013**

- (54) **VESSEL WITH A SADDLE SHAPED RIM**
- (71) Applicant: **Meyer Intellectual Properties Limited**,  
Kowloon (HK)
- (72) Inventors: **Sung Fun Chan**, Tsuen Wan (HK);  
**Mary Elizabeth Stutz**, Benecia, CA  
(US); **Margaret Tree Woolf**, Petaluma,  
CA (US)
- (73) Assignee: **Meyer Intellectual Properties Limited**  
(VG)
- (\*\*) Term: **14 Years**
- (21) Appl. No.: **29/448,608**
- (22) Filed: **Mar. 13, 2013**

D483,617 S *	12/2003	Watson .....	D7/545
D526,849 S *	8/2006	Vendl et al. ....	D7/545
D549,042 S *	8/2007	Vals .....	D7/359
D557,991 S *	12/2007	Hong .....	D7/603
D569,690 S *	5/2008	Schosser .....	D7/570
D589,759 S *	4/2009	Ozery et al. ....	D7/629
D600,502 S *	9/2009	Paslawski .....	D7/548
D606,176 S *	12/2009	Urquiola .....	D23/293.1
D607,280 S *	1/2010	Kellermann et al. ....	D7/548
D607,689 S *	1/2010	Hart et al. ....	D7/360
D611,305 S *	3/2010	Hart et al. ....	D7/545
D618,022 S *	6/2010	Joshua .....	D6/536
D630,061 S *	1/2011	Kellermann et al. ....	D7/545
D633,339 S *	3/2011	Hart et al. ....	D7/538
D634,165 S *	3/2011	Yang .....	D7/603
D642,904 S *	8/2011	Turvey .....	D9/424
D643,173 S *	8/2011	Quan et al. ....	D34/1
D644,490 S *	9/2011	Shah .....	D7/542
D645,307 S *	9/2011	Shamoon .....	D7/545
D679,546 S *	4/2013	Chen .....	D7/545

\* cited by examiner

**Related U.S. Application Data**

- (62) Division of application No. 29/382,554, filed on Jan. 5,  
2011, now Pat. No. Des. 677,991.
- (51) **LOC (9) Cl.** ..... **07-01**
- (52) **U.S. Cl.**  
USPC ..... **D7/545; D7/548; D7/587**
- (58) **Field of Classification Search**  
USPC ..... D7/541, 538, 629, 601, 548, 603, 545,  
D7/543, 587, 586, 500, 701, 702, 703, 704,  
D7/705, 706, 707, 708; D9/414, 761;  
29/527.1; 220/574, 575  
See application file for complete search history.

Primary Examiner — Cynthia Underwood

(74) *Attorney, Agent, or Firm* — Edward S. Sherman

(57) **CLAIM**

The ornamental design for a “vessel with a saddled shaped rim,” as shown and described.

**DESCRIPTION**

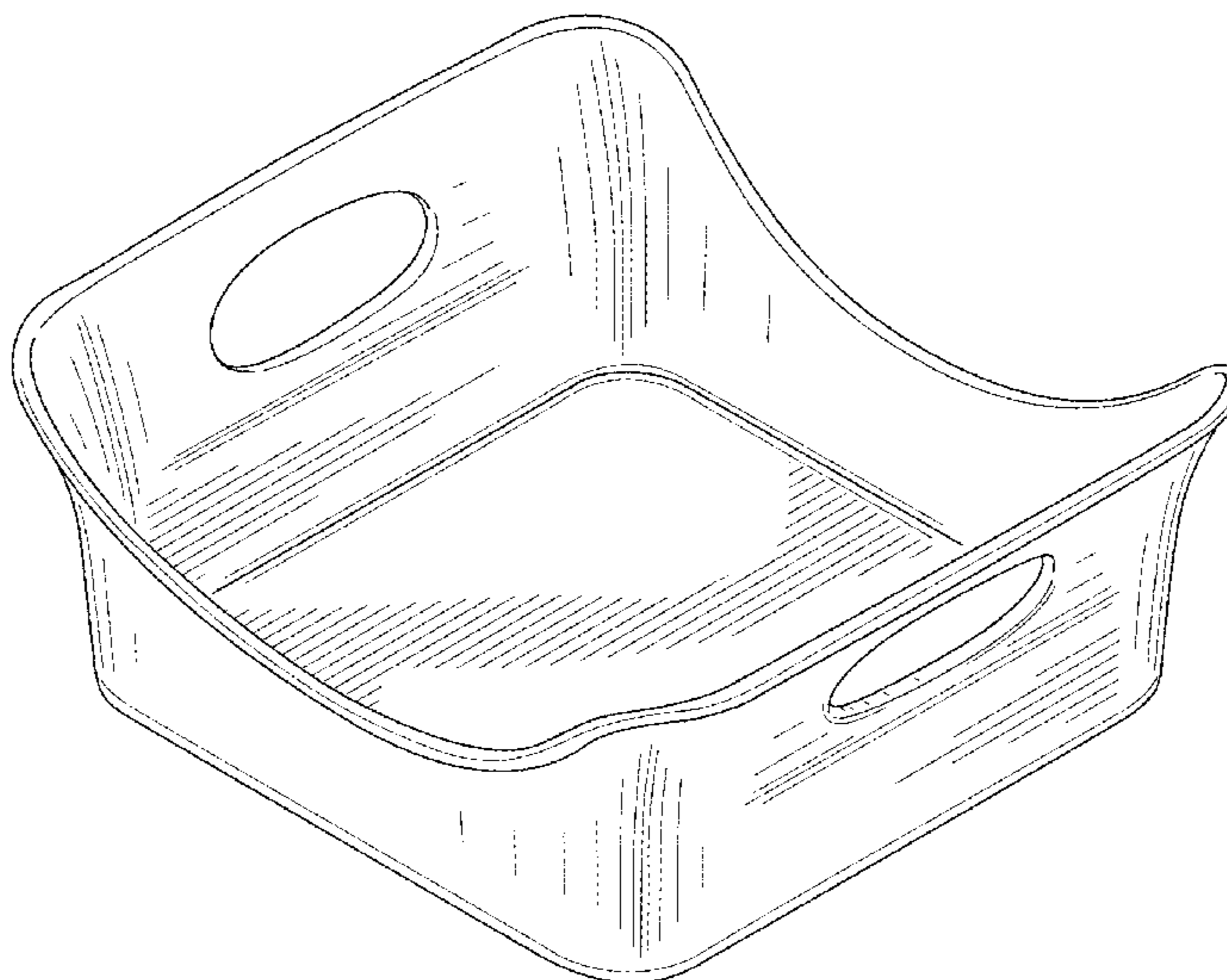
FIG. 1 is a perspective view of the “vessel with a saddled shaped rim”, showing my new design;  
 FIG. 2 is a top plan view thereof;  
 FIG. 3 is a front elevation view, the rear elevation view being the mirror image thereof;  
 FIG. 4 is a right side elevation view, the left side elevation view being the mirror image thereof; and,  
 FIG. 5 is a bottom plan view thereof.  
 The region within the broken line in FIG. 5 forms no part of the claimed design.

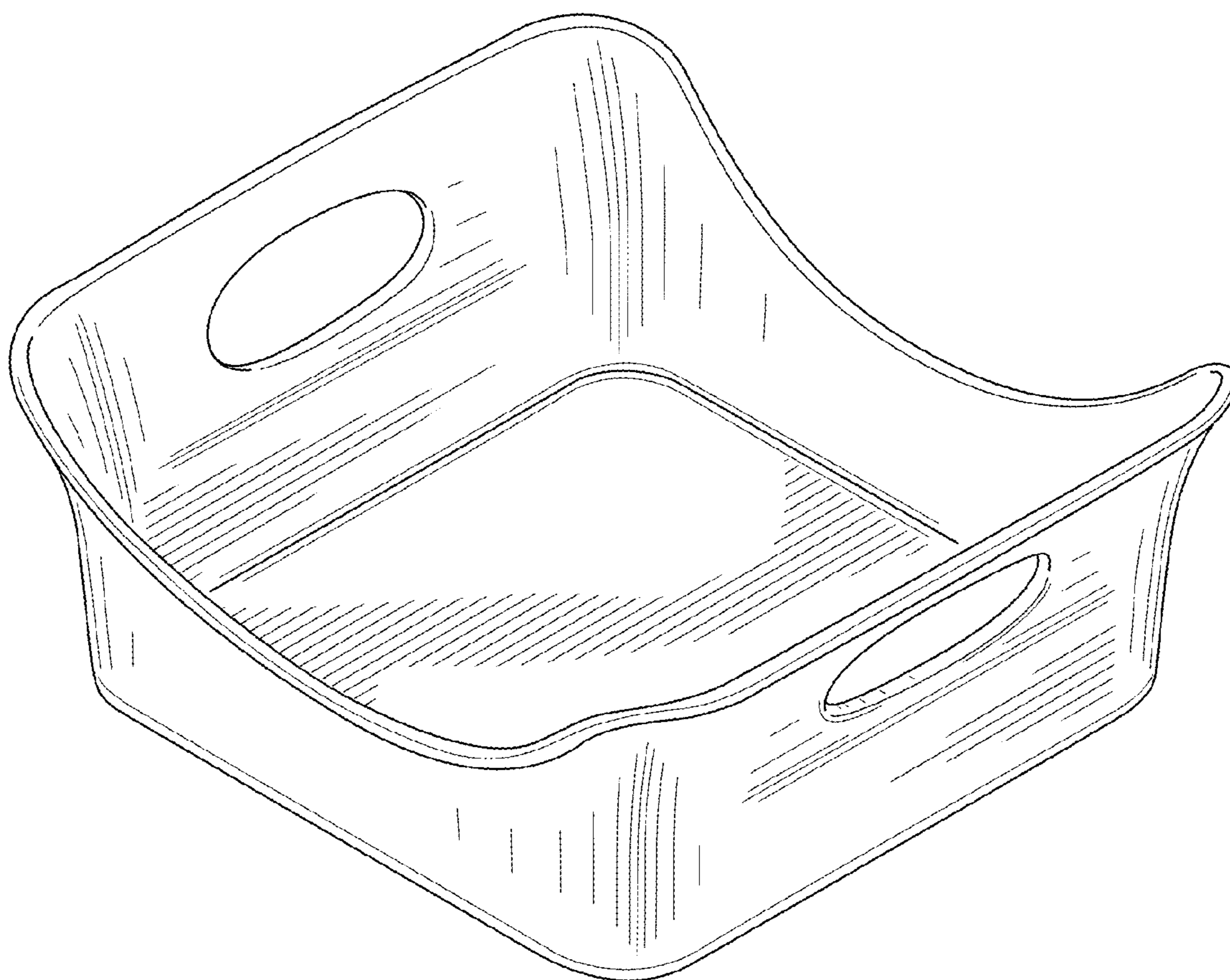
**1 Claim, 3 Drawing Sheets**

(56) **References Cited**

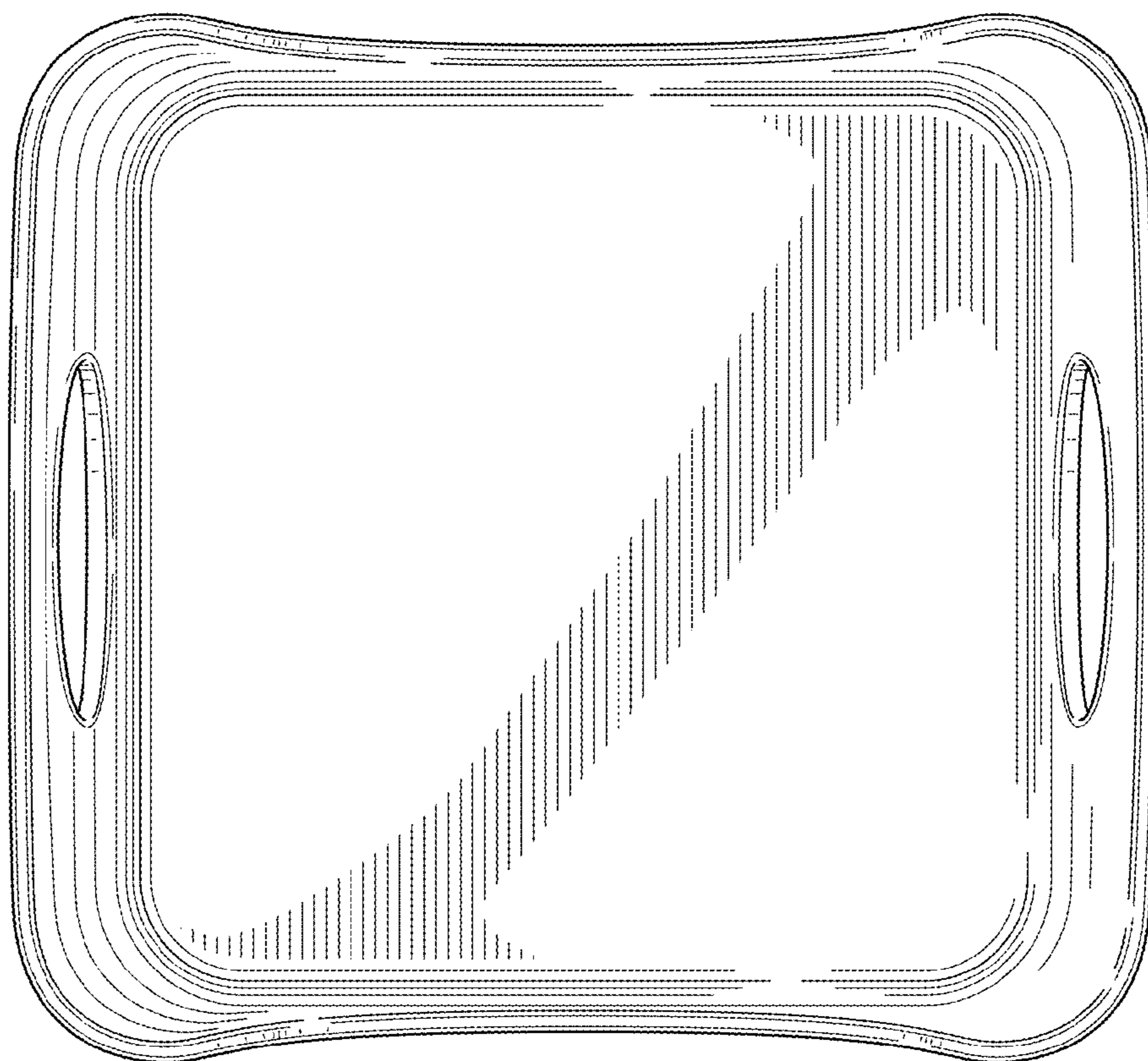
**U.S. PATENT DOCUMENTS**

D170,788 S *	11/1953	Zeisel .....	D7/586
D180,329 S *	5/1957	Highberger .....	D7/587
D183,953 S *	11/1958	Stier .....	D7/603
D251,169 S *	2/1979	Ono .....	D7/584
D285,396 S *	9/1986	Odate .....	D6/536

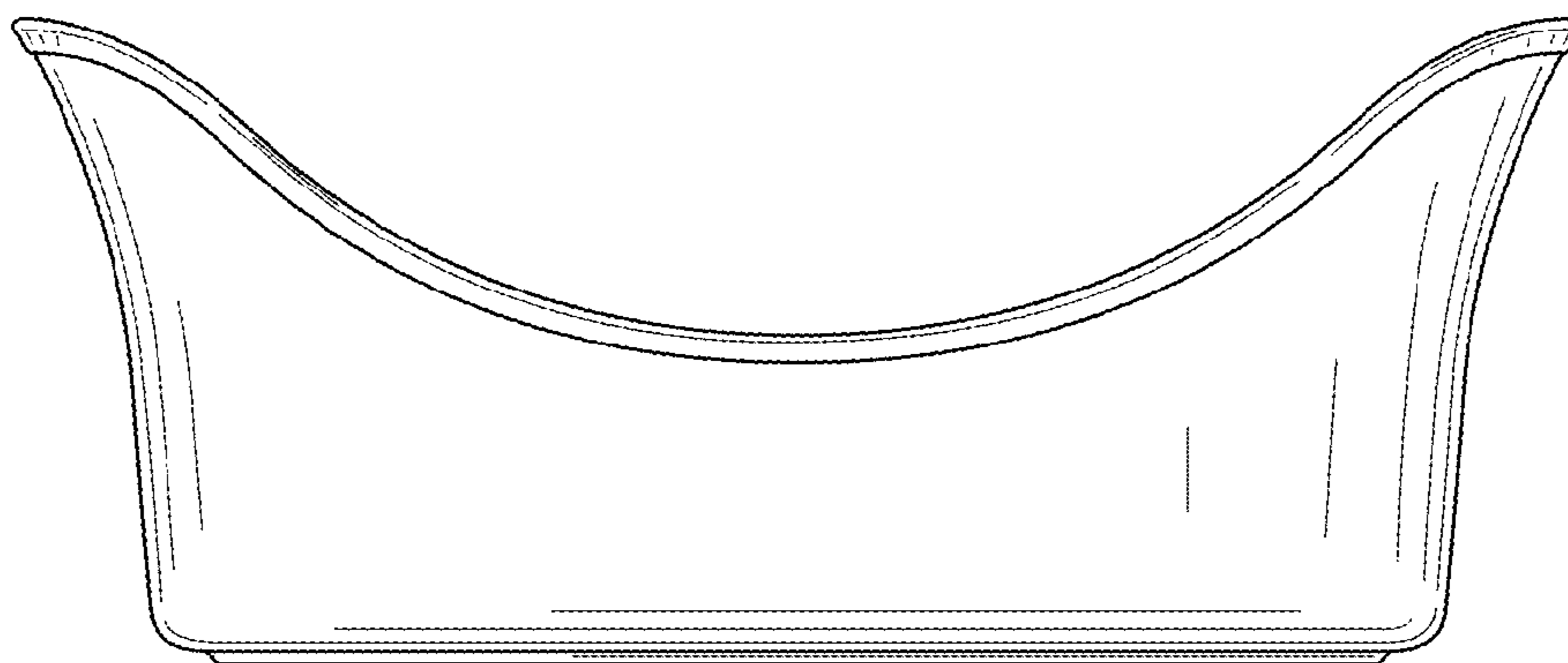




**FIG. 1**



**FIG. 2**



**FIG. 3**

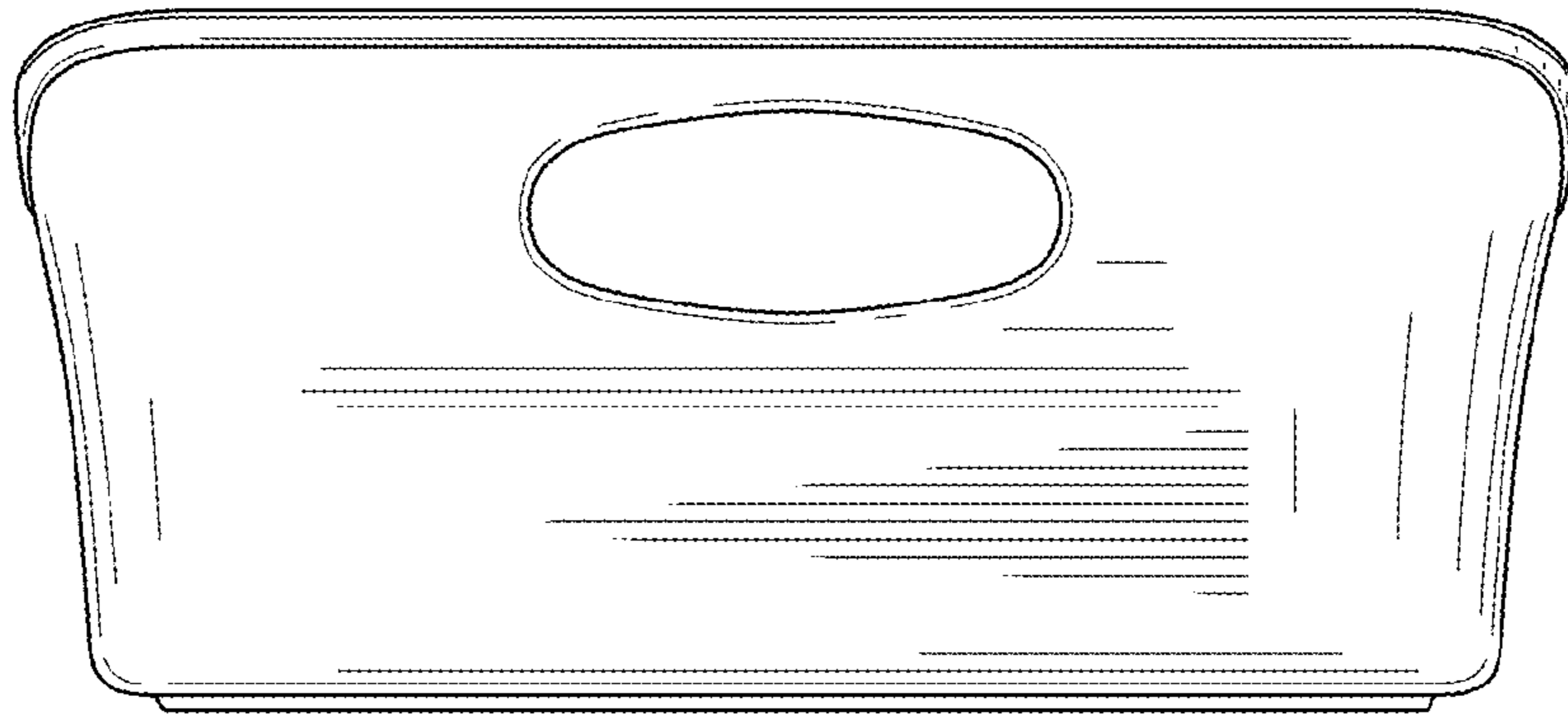


FIG. 4

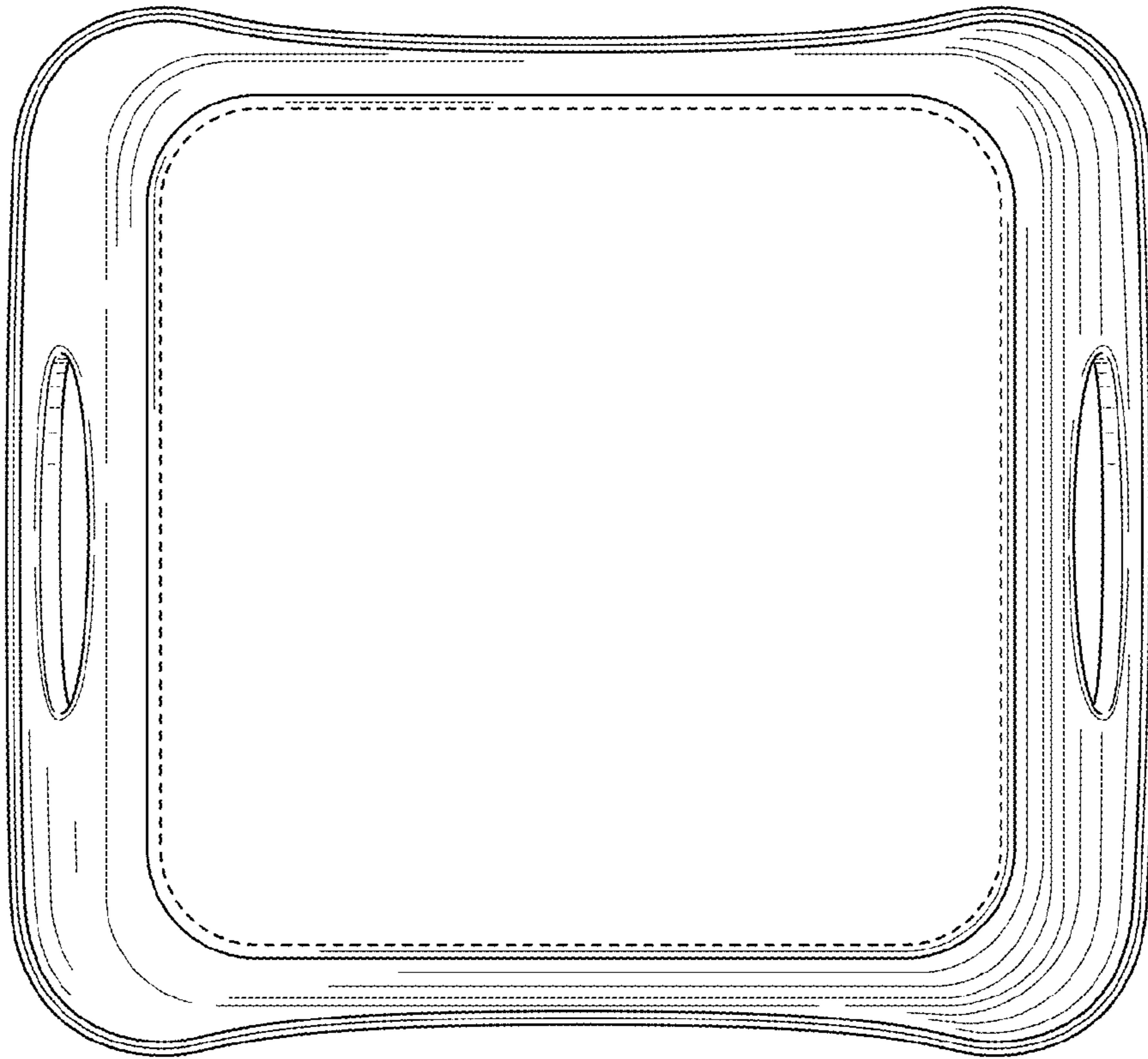


FIG. 5