



US00D694066S

(12) **United States Design Patent**
Volkov

(10) **Patent No.:** **US D694,066 S**

(45) **Date of Patent:** **** Nov. 26, 2013**

(54) **CUP AND BASE SET**

(71) Applicant: **Alexey Volkov**, Moscow (RU)

(72) Inventor: **Alexey Volkov**, Moscow (RU)

(73) Assignee: **Alexey VOLKOV**, Moscow (RU)

(**) Term: **14 Years**

(21) Appl. No.: **29/443,823**

(22) Filed: **Jan. 23, 2013**

(51) **LOC (9) Cl.** **07-01**

(52) **U.S. Cl.**
USPC **D7/507; D7/509**

(58) **Field of Classification Search**
USPC D7/509, 523, 507, 533, 536, 532, 624.1,
D7/622, 619.1; 220/678, 738, 737;
215/365, 377; 248/145.3

See application file for complete search history.

(56) **References Cited**

U.S. PATENT DOCUMENTS

D262,253 S *	12/1981	Vennola	D7/507
D263,544 S *	3/1982	Vennola	D7/507
D358,080 S *	5/1995	Handler	D7/509
D423,877 S *	5/2000	Kerr	D7/509
D547,805 S *	7/2007	Killinger et al.	D19/85
D560,447 S *	1/2008	Breen et al.	D7/619.1
D570,158 S *	6/2008	Massi et al.	D7/523
D643,173 S *	8/2011	Quan et al.	D34/1

* cited by examiner

Primary Examiner — Marianne Pandozzi

(74) *Attorney, Agent, or Firm* — Nadya Reingand

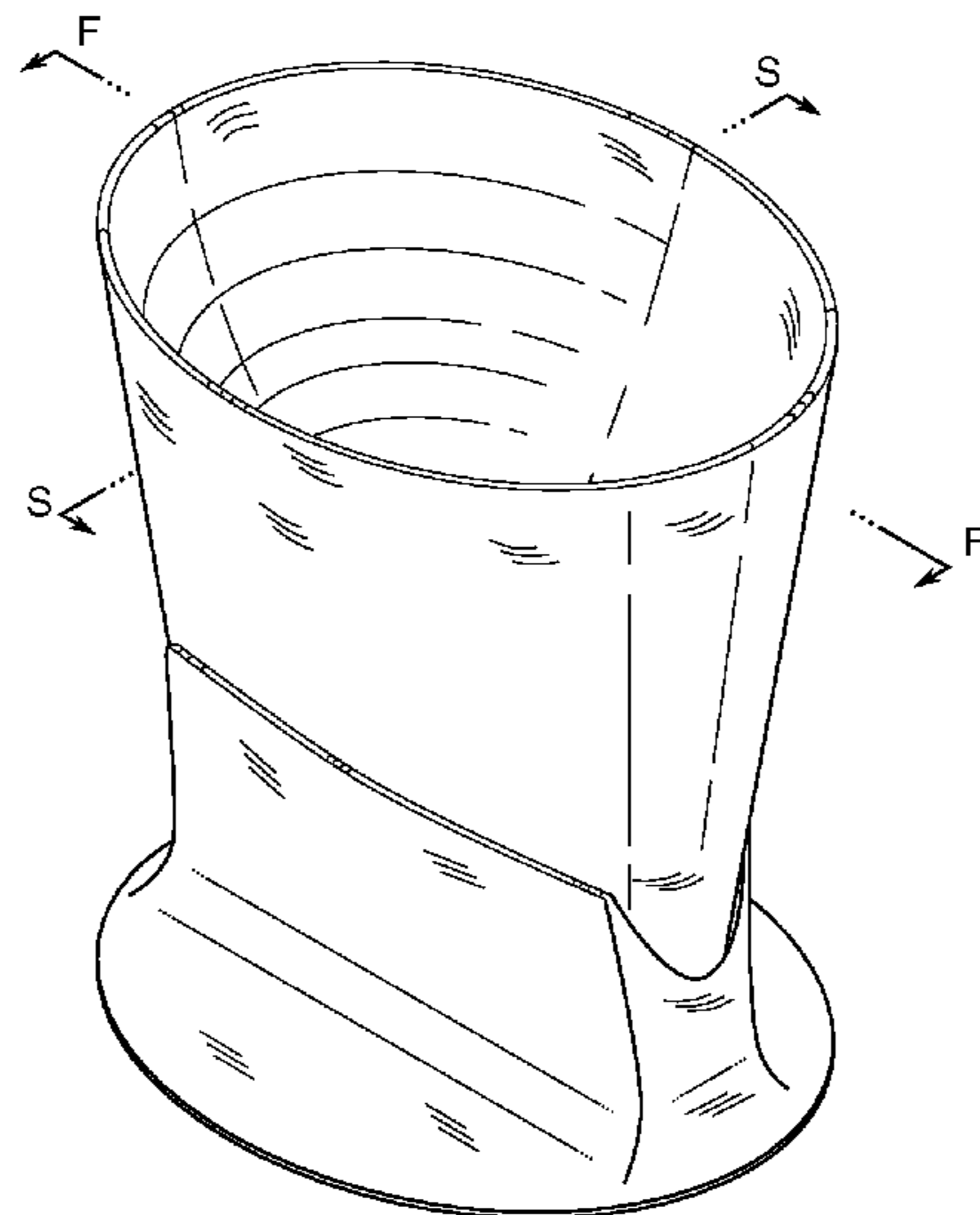
(57) **CLAIM**

The ornamental design for a cup and base set, as shown and described.

DESCRIPTION

FIG. 1 is an exploded perspective view of a cup and base set showing my new design;
 FIG. 2 is a perspective view thereof;
 FIG. 3 is a sectional view taken along line F-F of FIG. 2;
 FIG. 4 is a sectional view taken along line S-S of FIG. 2;
 FIG. 5 is an exploded front elevational view thereof, the rear elevational view being identical;
 FIG. 6 is an exploded side elevational view thereof, the opposite side elevational view being identical;
 FIG. 7 is a bottom plan view of the cup portion only, the base removed for ease of illustration;
 FIG. 8 is a bottom plan view of the cup and base set (the bottom of the base) of embodiment 1;
 FIG. 9 is a top plan view of the cup and base set (the top of the cup) of embodiment 1;
 FIG. 10 is a top plan view of the base only, the cup removed for ease of illustration;
 FIG. 11 is a perspective view of a cup and base set showing a second embodiment of my new design in a transparent version;
 FIG. 12 is an exploded front elevational view thereof, the rear elevational view being identical;
 FIG. 13 is a an exploded side elevational view thereof, the opposite side elevational view being identical;
 FIG. 14 is a bottom plan view of the cup portion only, the base removed for ease of illustration;
 FIG. 15 bottom plan view of the cup and base set (the bottom of the base) of embodiment 1;
 FIG. 16 a top plan view of the cup and base set (the top of the cup) of embodiment 1; and,
 FIG. 17 a top plan view of the base only, the cup removed for ease of illustration.

1 Claim, 7 Drawing Sheets



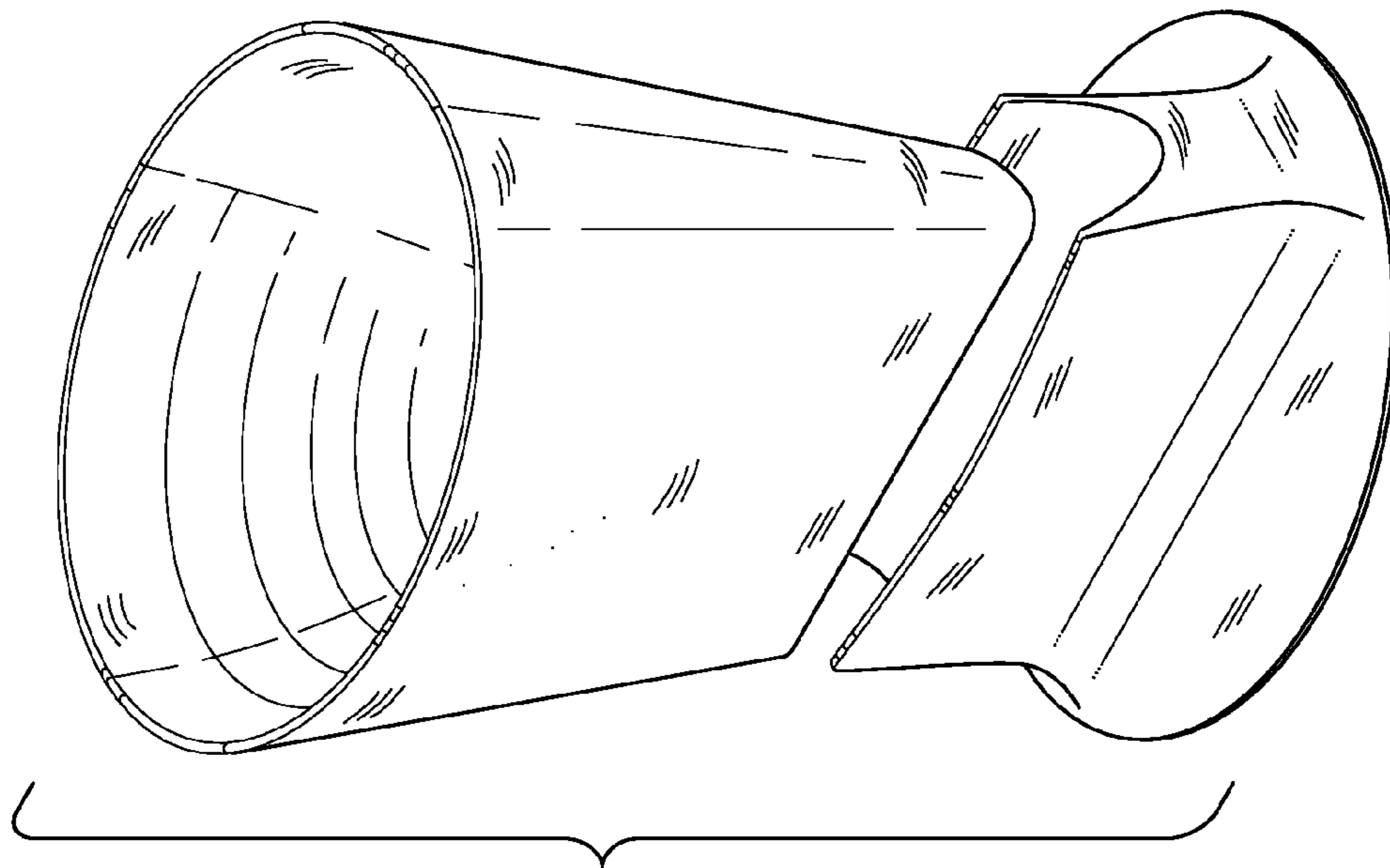


FIG. 1

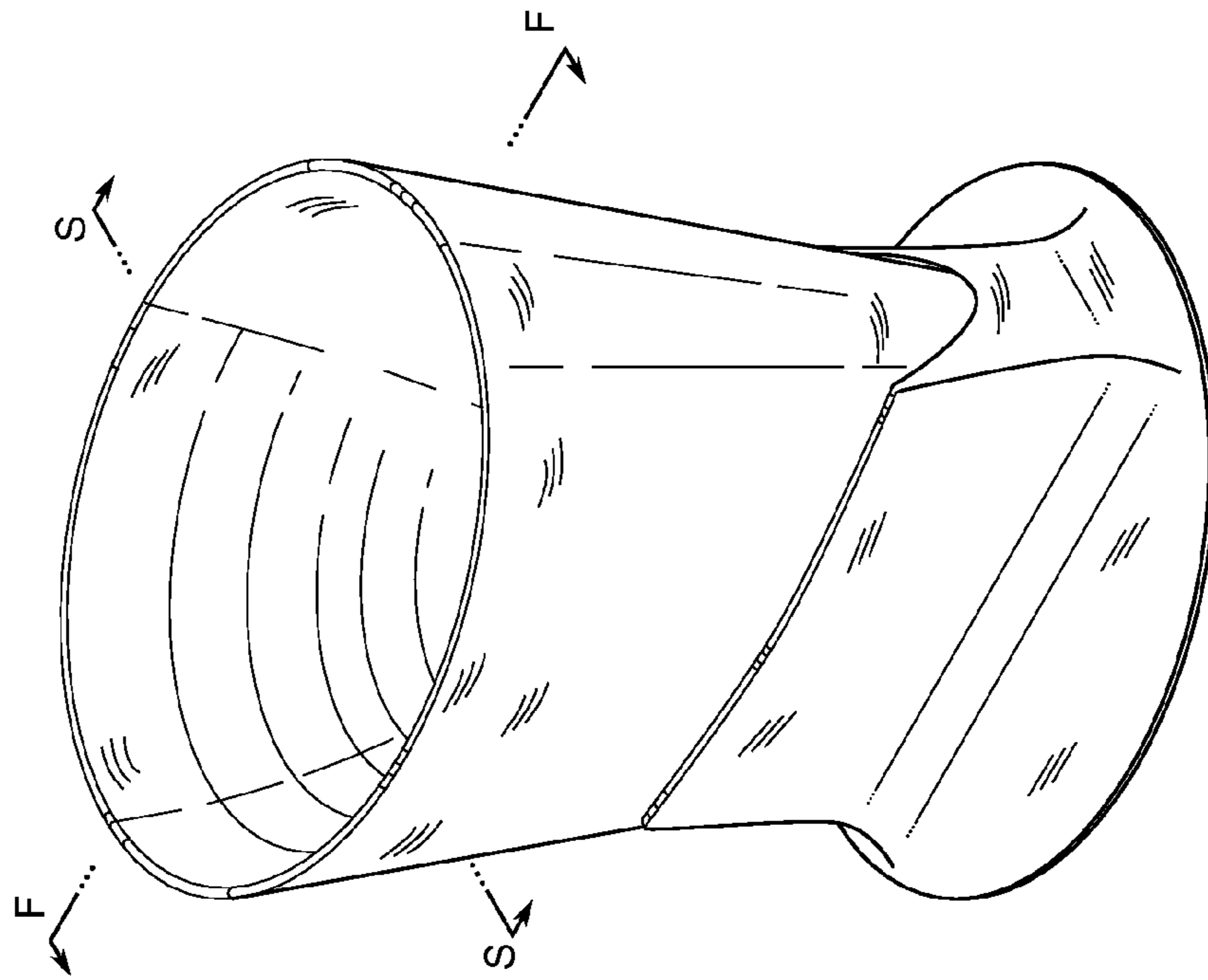


FIG. 2

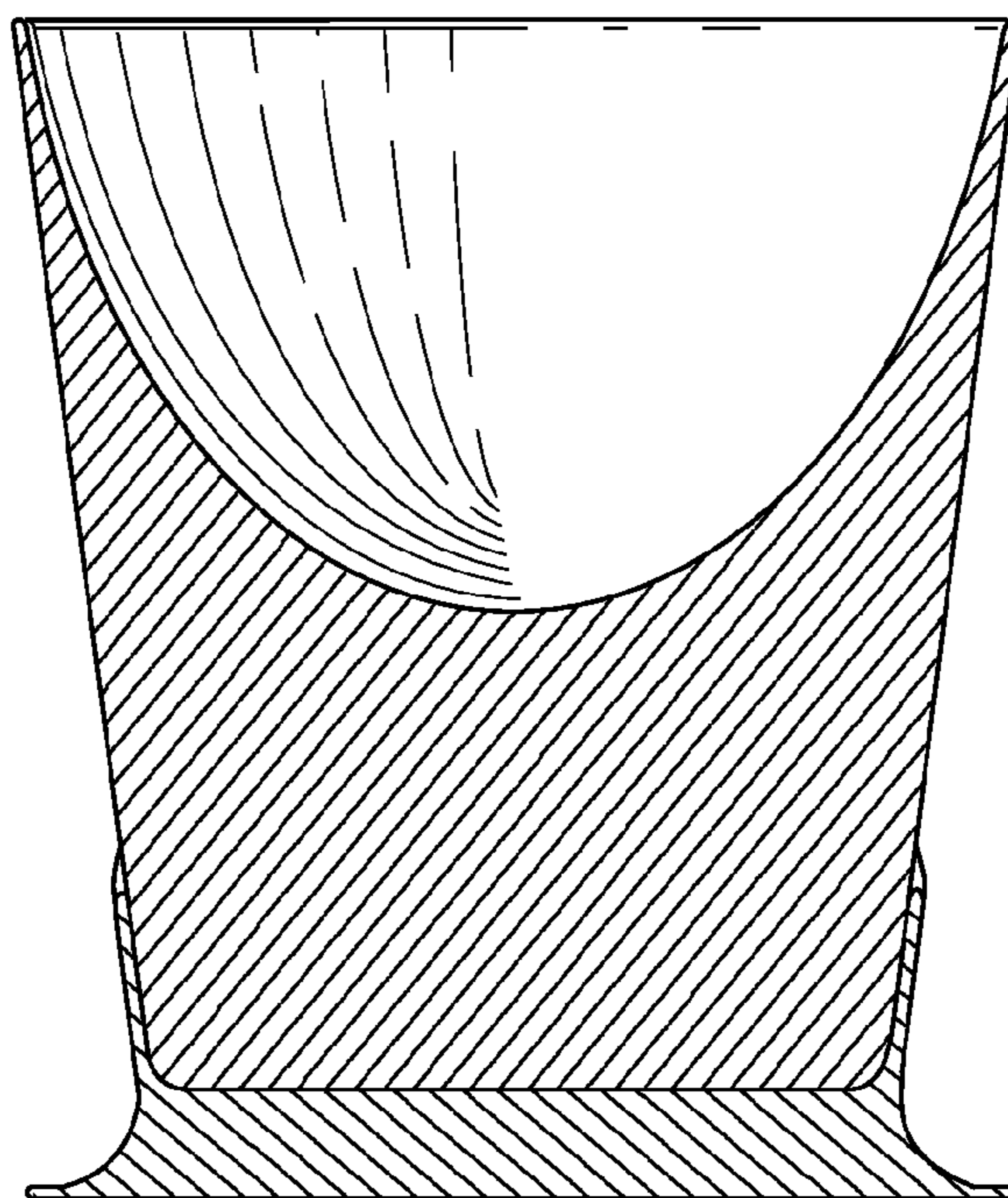


FIG. 3

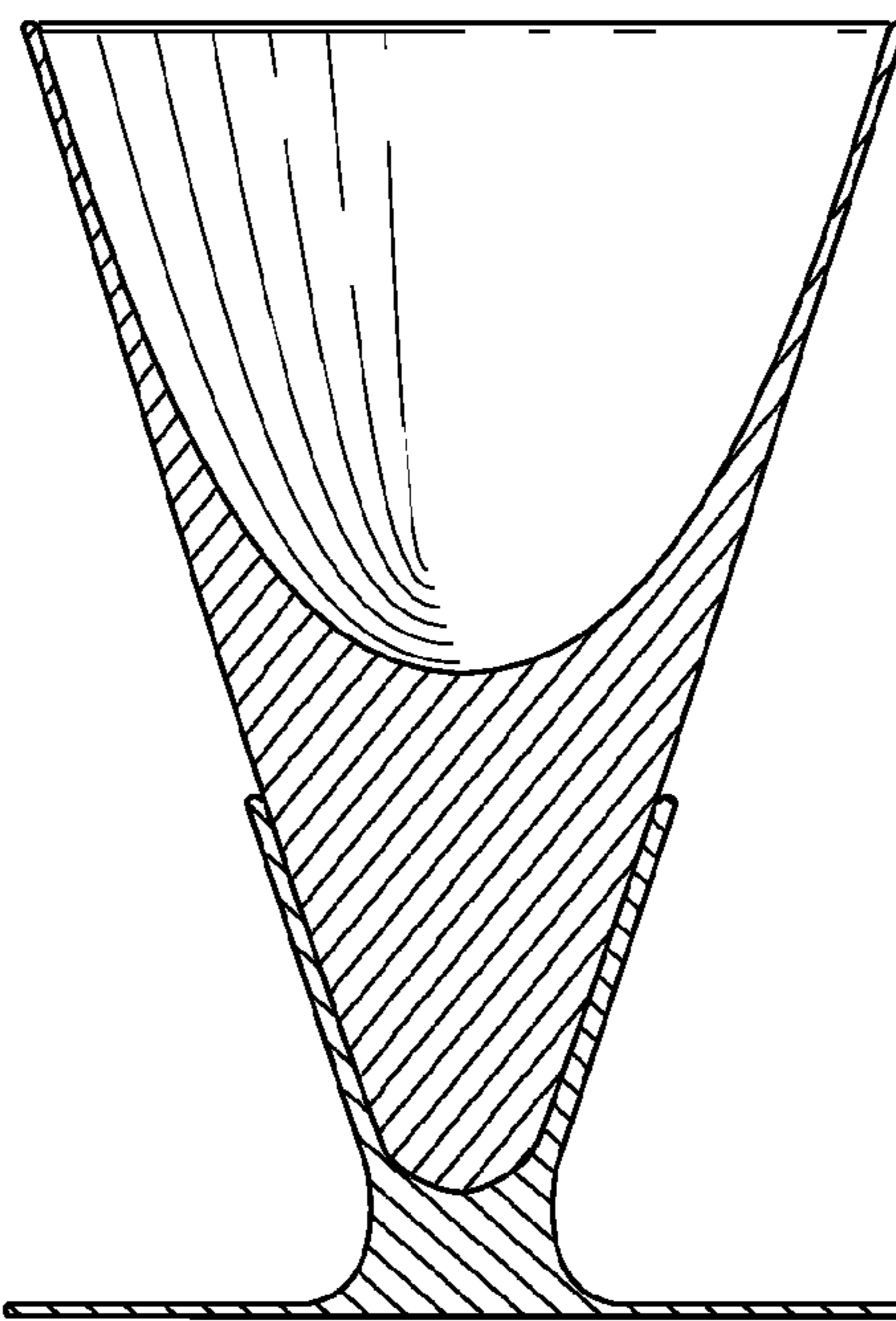


FIG. 4

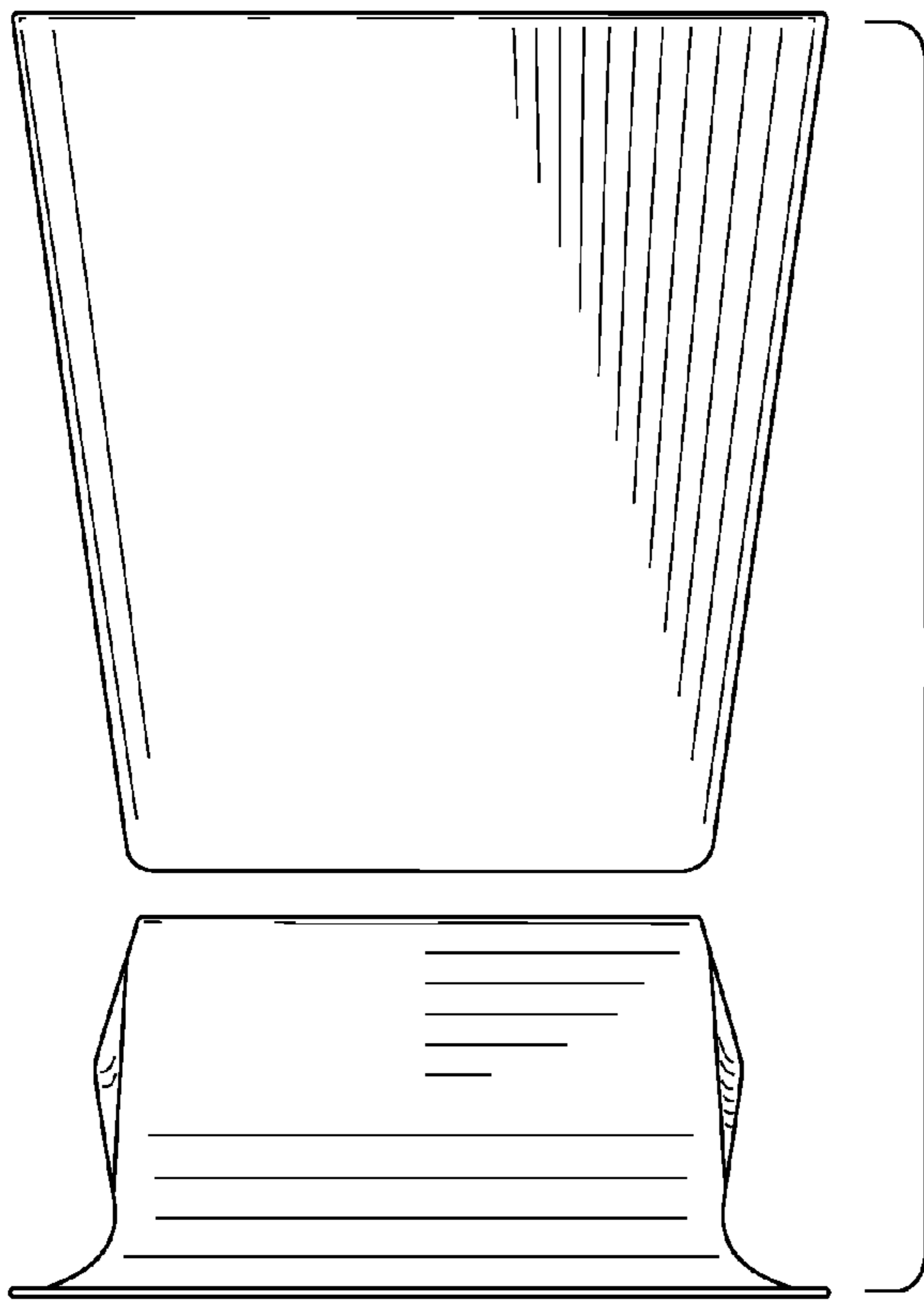


FIG. 5

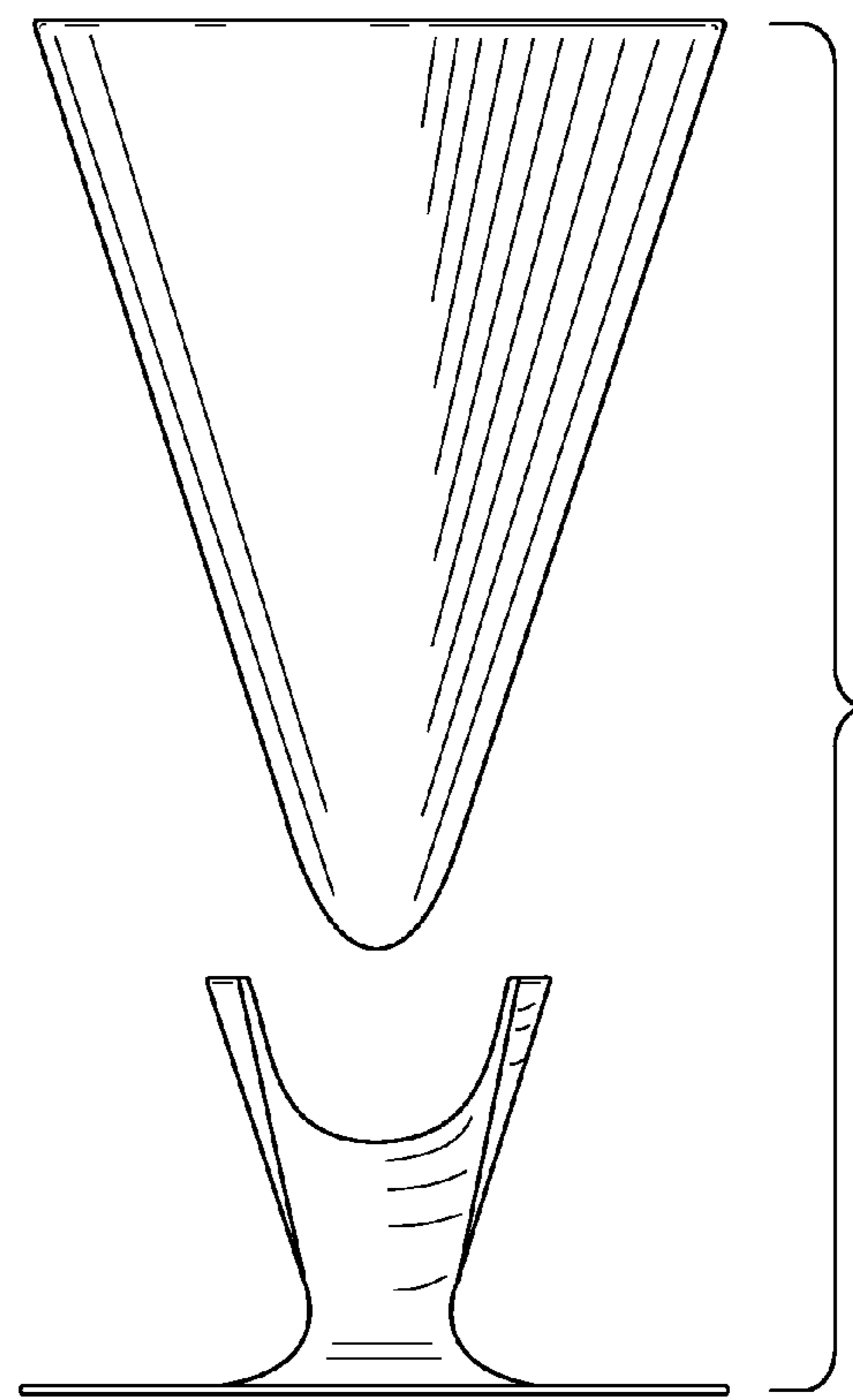


FIG. 6

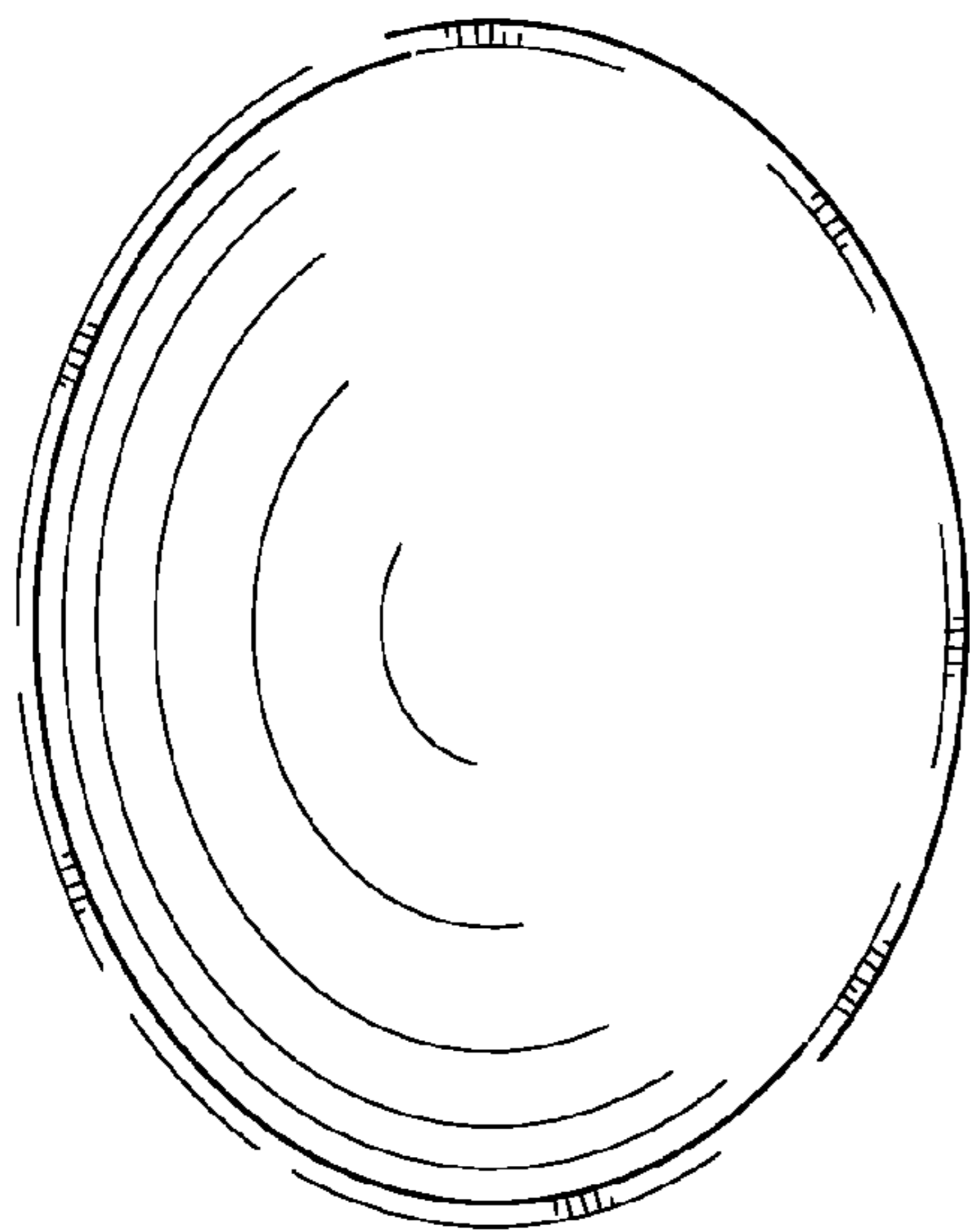


FIG. 9

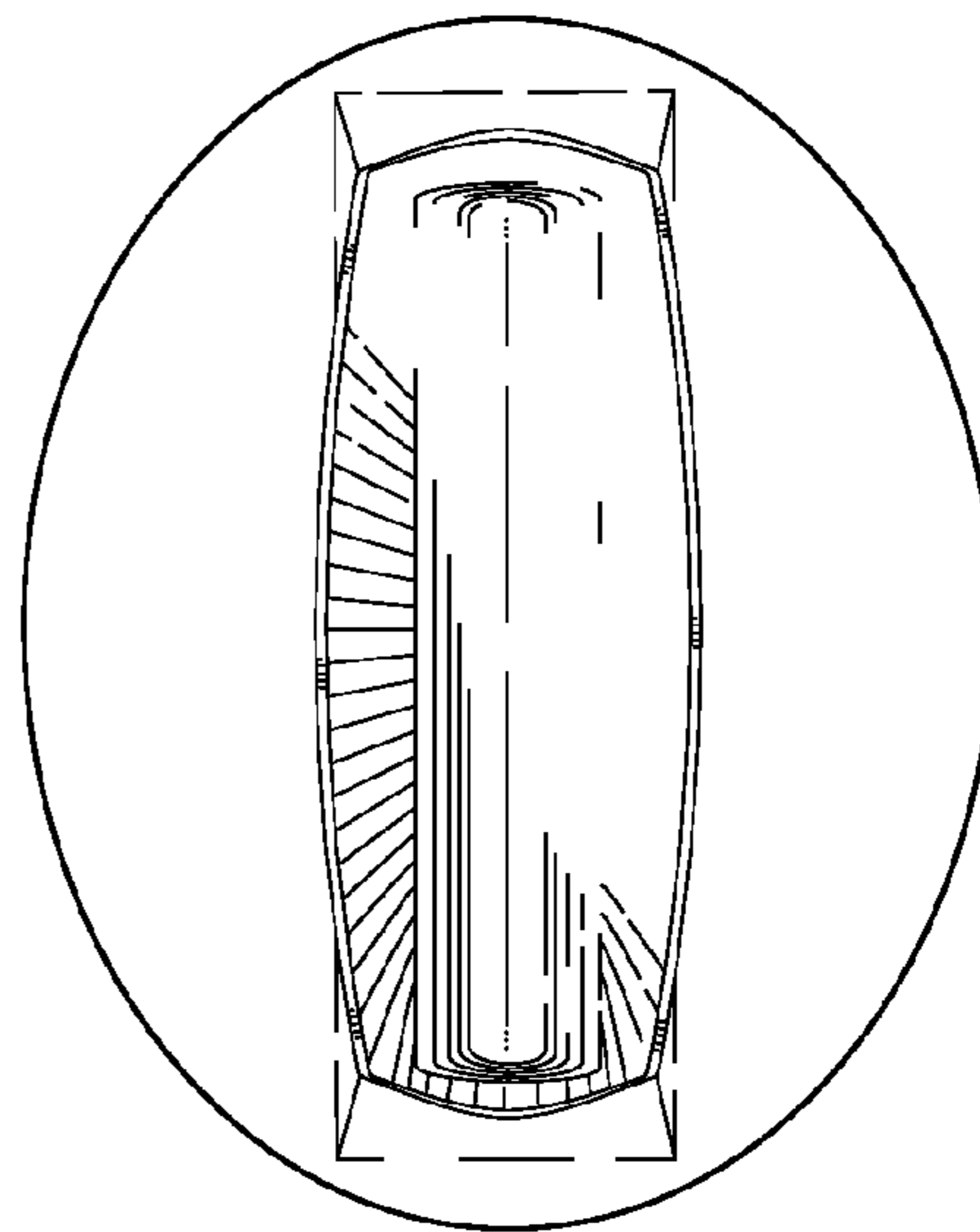


FIG. 10

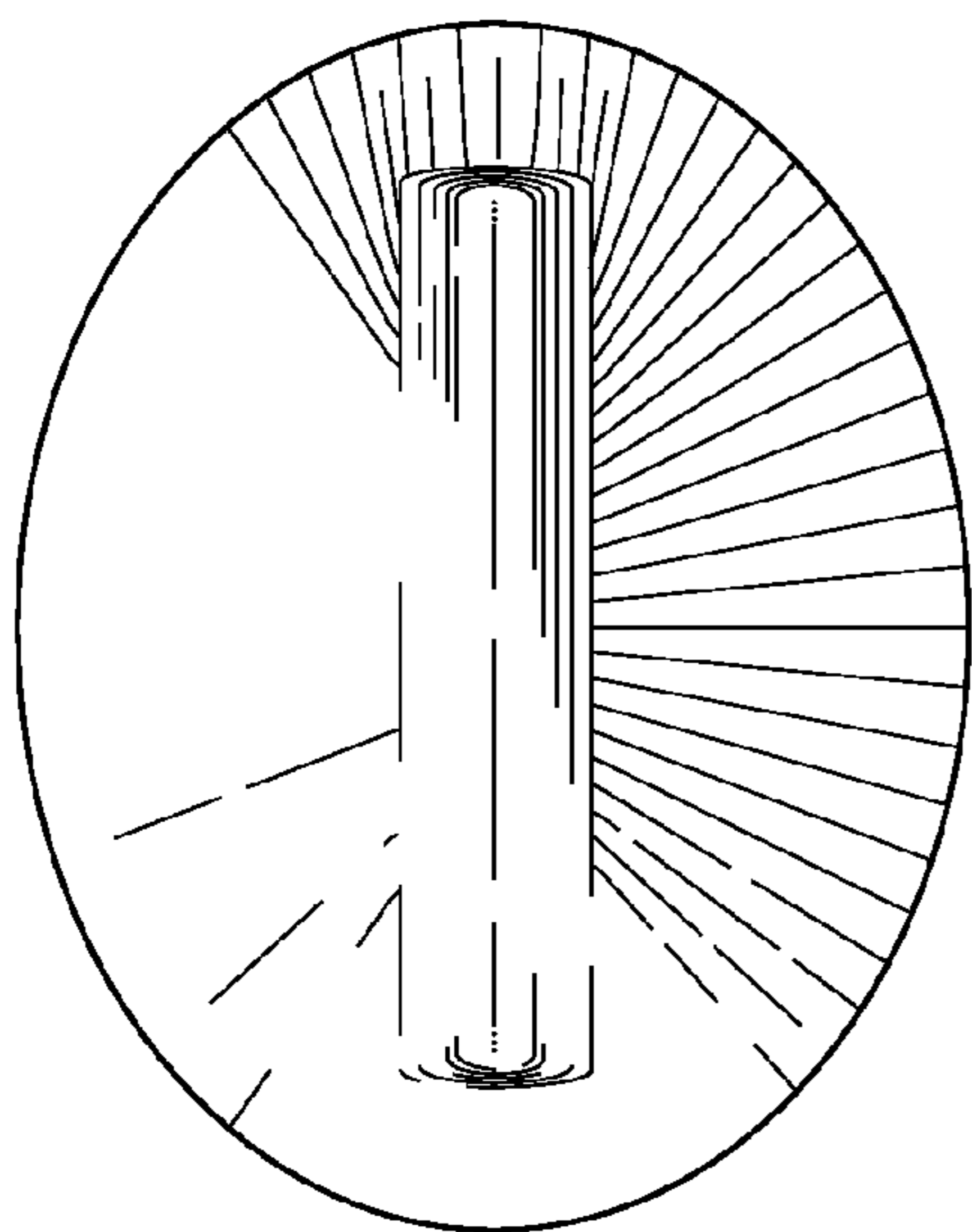


FIG. 7

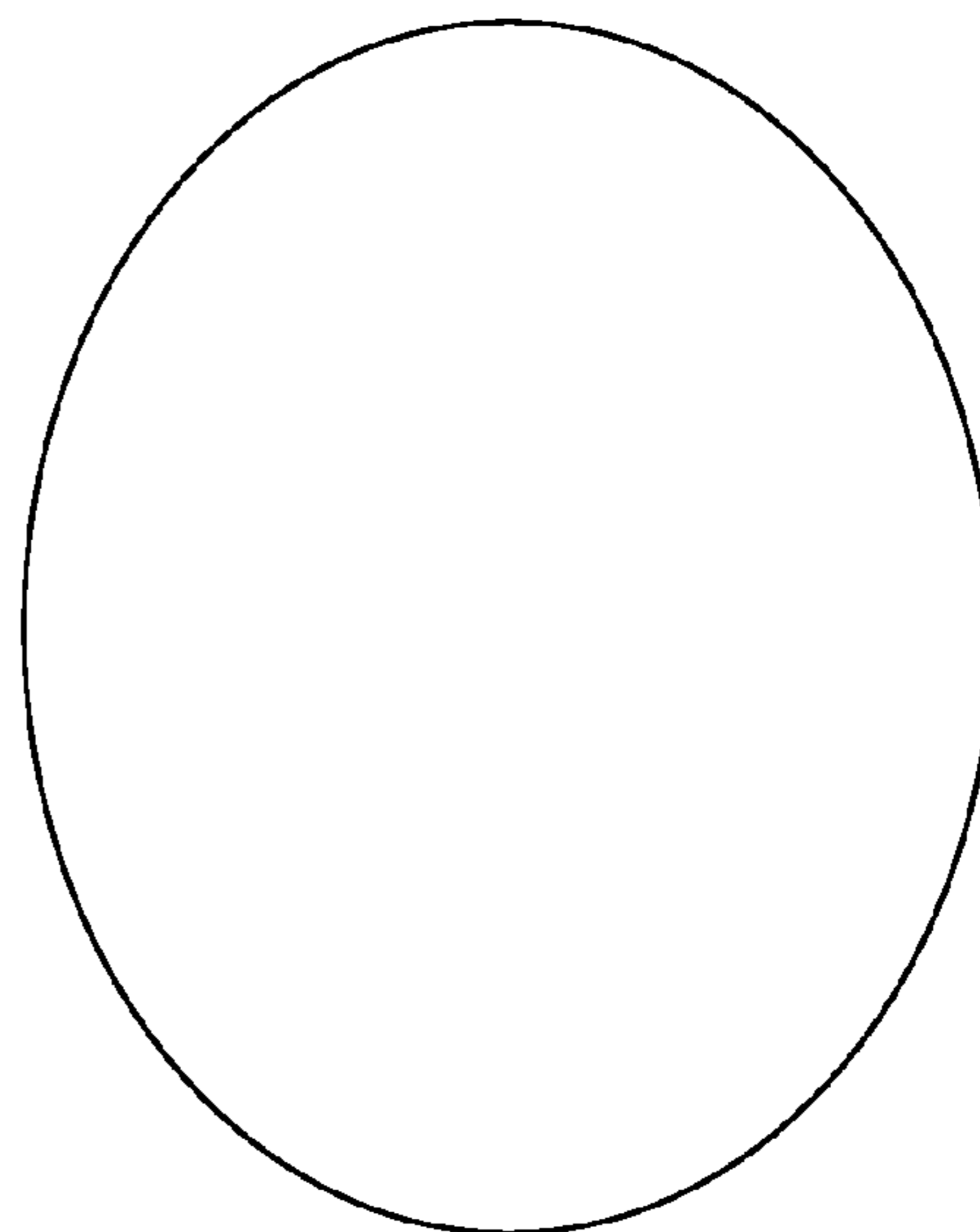


FIG. 8

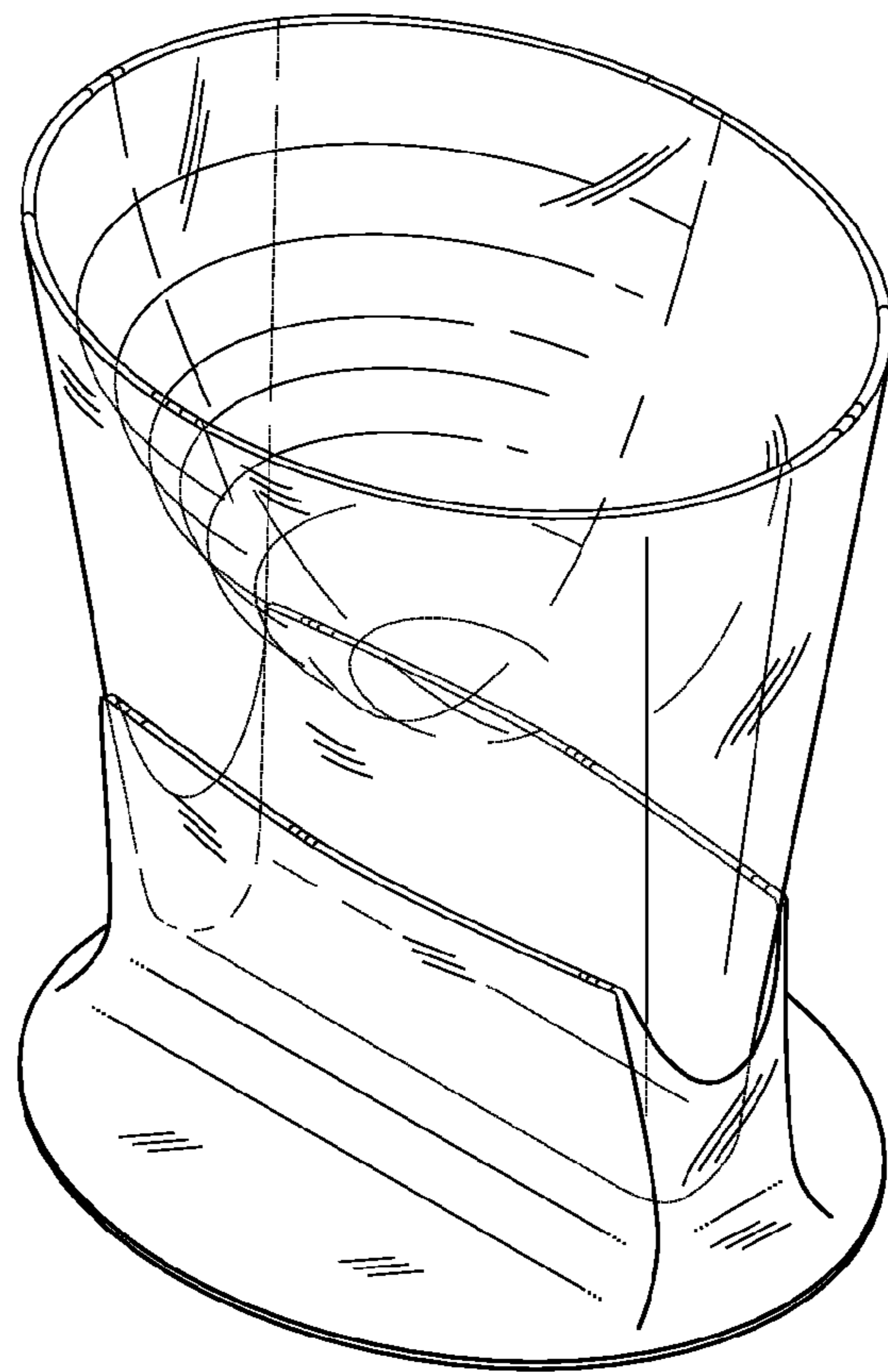


FIG. 11

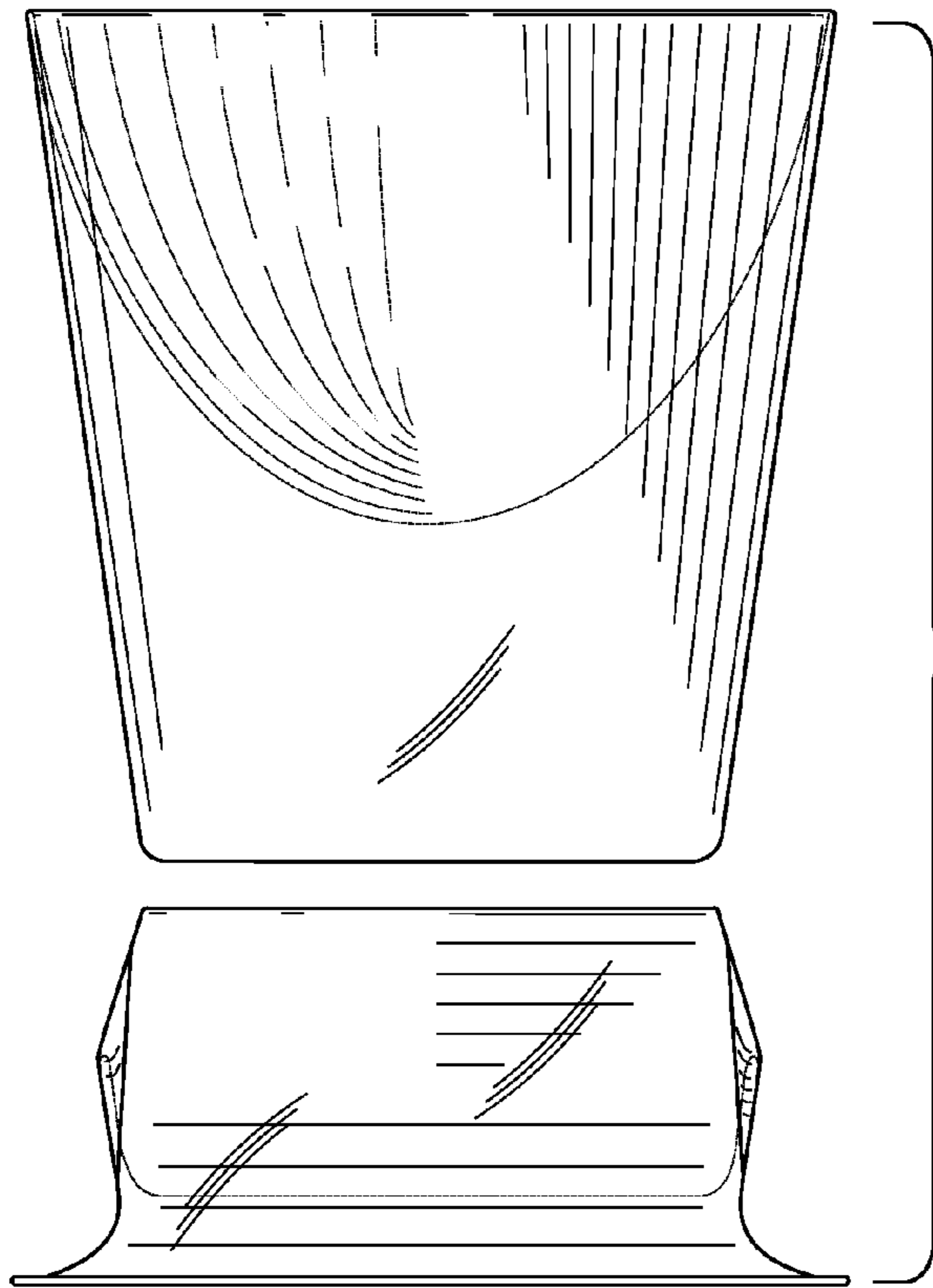


FIG. 12

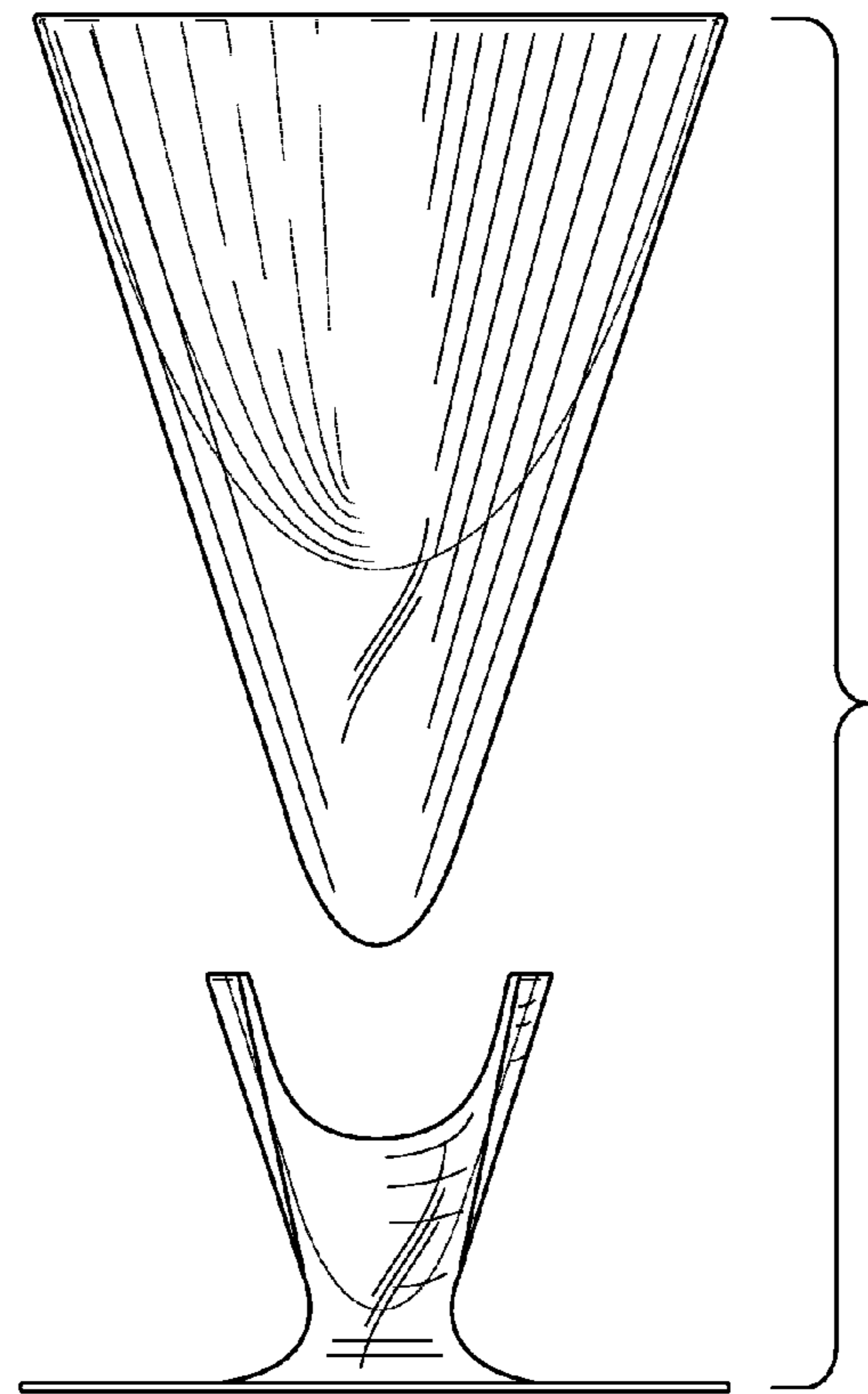


FIG. 13

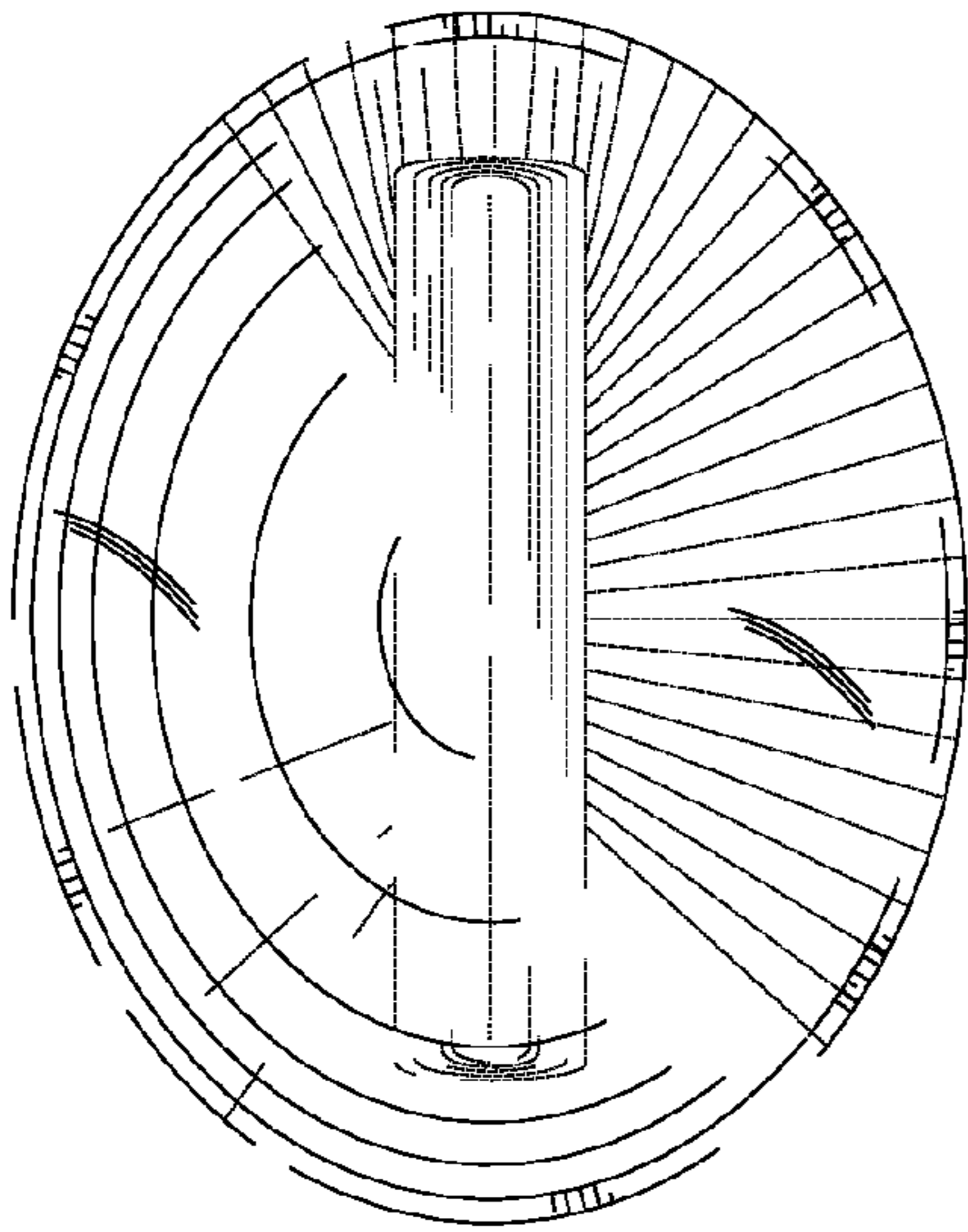


FIG. 16

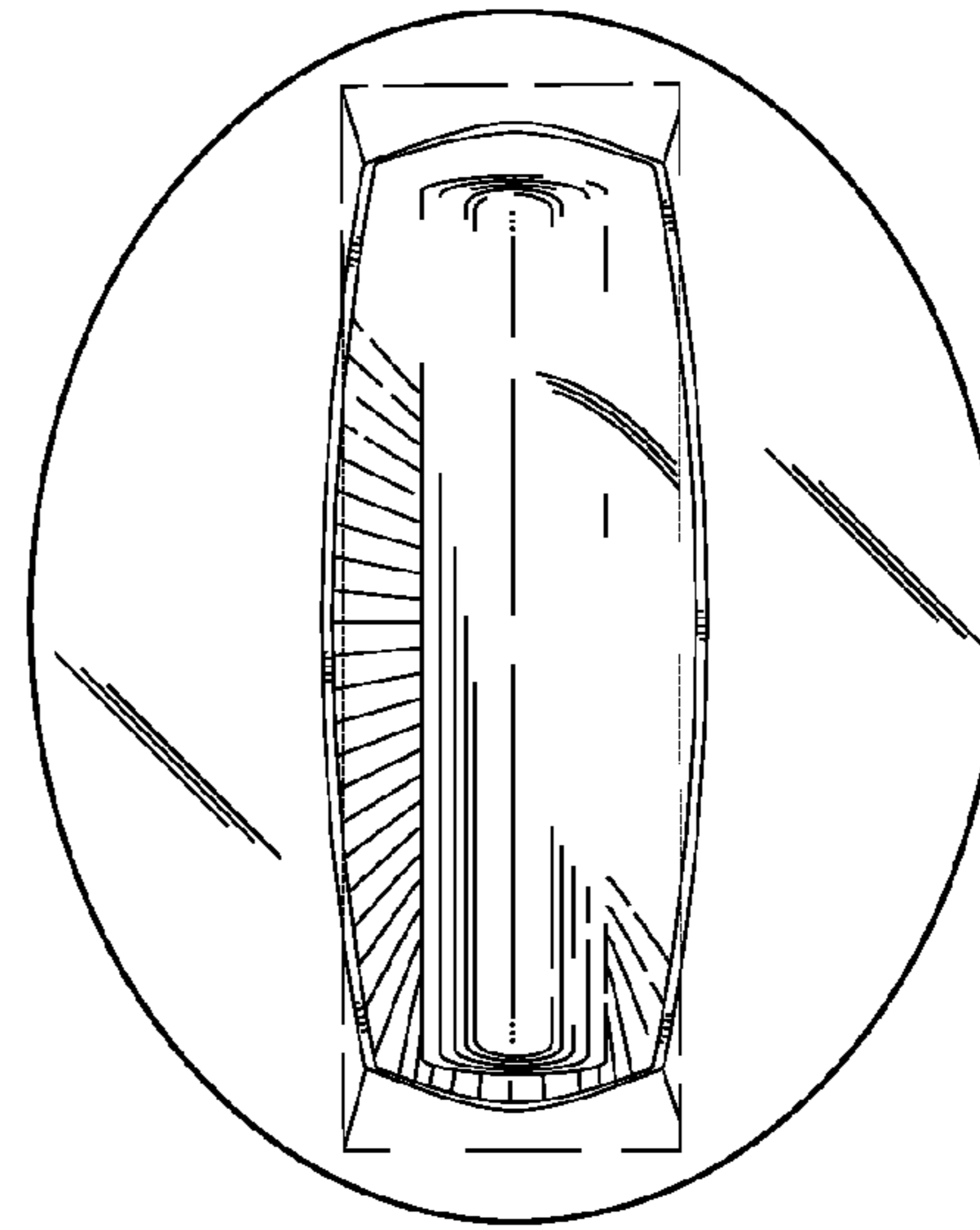


FIG. 17

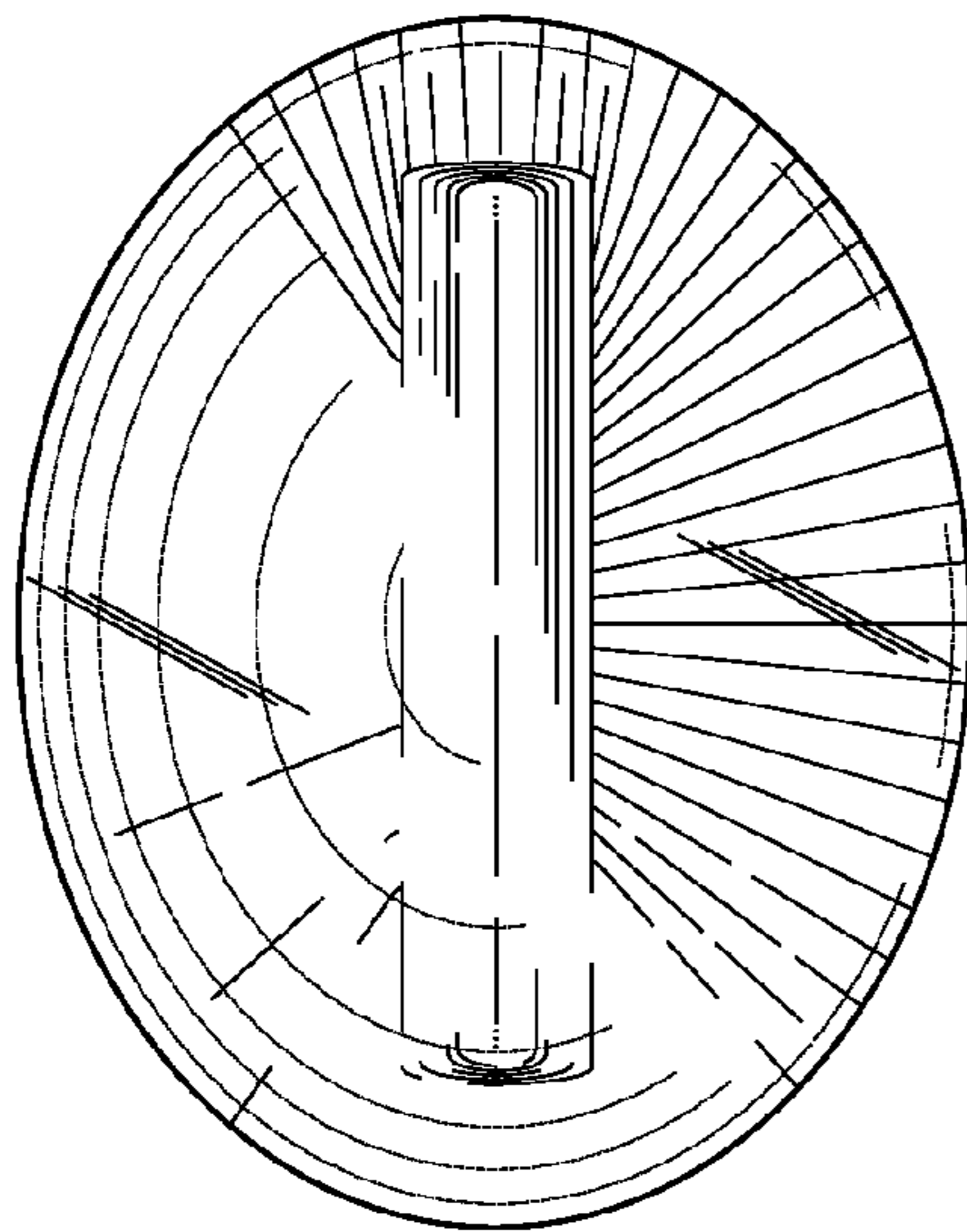


FIG. 14

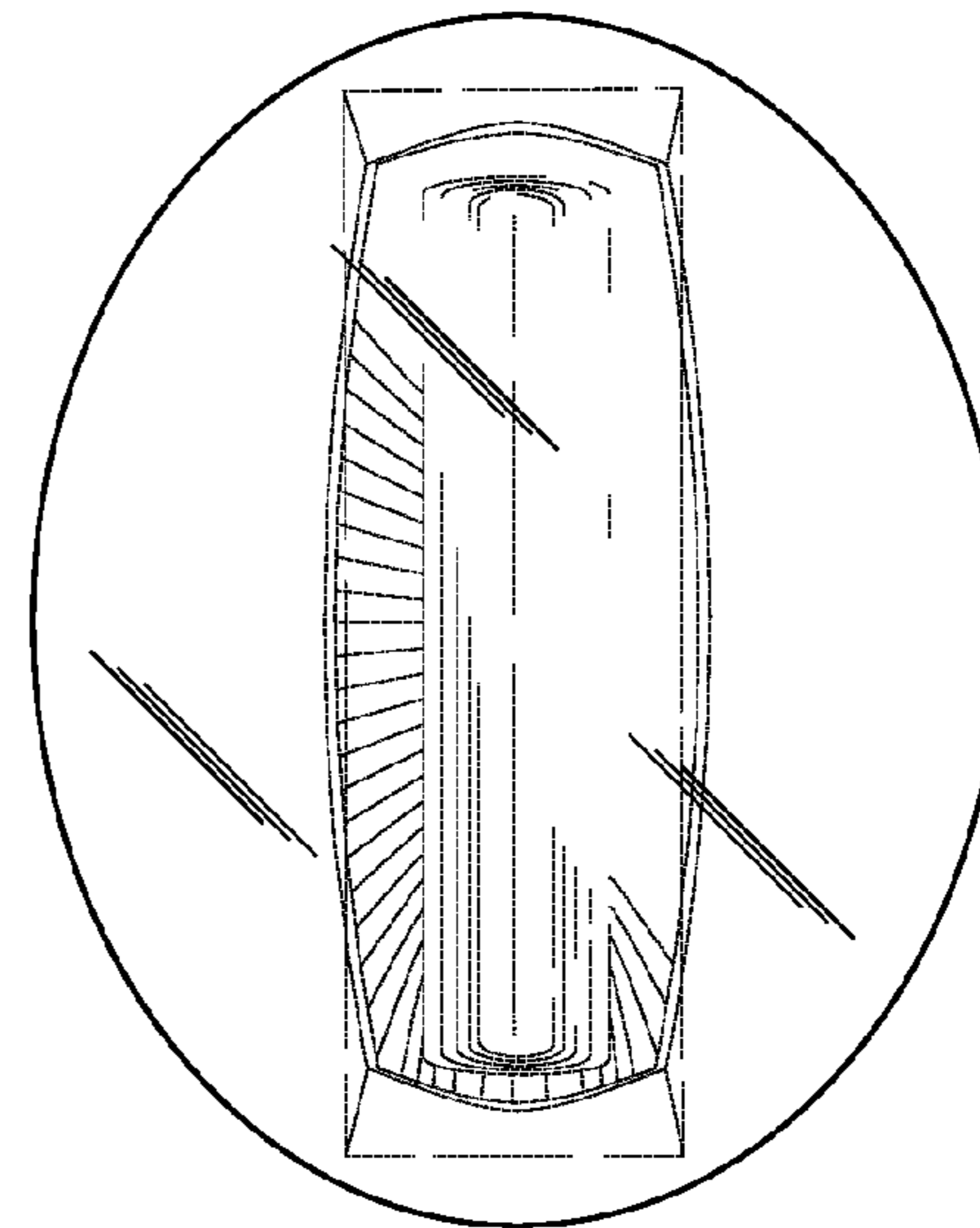


FIG. 15