



US00D694065S

(12) **United States Design Patent**  
**Levy et al.**

(10) **Patent No.:** **US D694,065 S**

(45) **Date of Patent:** **\*\* Nov. 26, 2013**

(54) **KNIFE**

(71) Applicant: **Stay Focused Marketing, LLC**,  
Northvale, NJ (US)

(72) Inventors: **Marvin Levy**, Montvale, NJ (US);  
**Michael Ferraro**, Stamford, CT (US)

(73) Assignee: **Stay Focused Marketing, LLC**,  
Northvale, NJ (US)

(\*\*) Term: **14 Years**

(21) Appl. No.: **29/445,520**

(22) Filed: **Feb. 13, 2013**

(51) **LOC (9) Cl.** ..... **07-03**

(52) **U.S. Cl.**  
USPC ..... **D7/401.2; D7/649**

(58) **Field of Classification Search**  
USPC ..... D7/368, 393-395, 401.2, 642-646,  
D7/649-654, 660-664, 669, 675-676, 683,  
D7/688-692, 695-696; D8/25, 83, 99,  
D8/107, 303; D22/118; 30/137, 141-143,  
30/147-150, 322-327, 329, 335, 340,  
30/342-344, 355; 416/70 R

See application file for complete search history.

(56) **References Cited**

**U.S. PATENT DOCUMENTS**

D226,410 S \* 2/1973 Kunze ..... D7/649  
D425,365 S \* 5/2000 Chien ..... D7/401.2

D479,104 S \* 9/2003 Onion ..... D7/649  
D498,985 S \* 11/2004 Kerr et al. .... D7/649  
D547,135 S \* 7/2007 Hasegawa ..... D7/664  
D552,429 S \* 10/2007 Onion ..... D7/649  
D558,851 S \* 1/2008 Onion ..... D22/118  
D649,411 S \* 11/2011 Lo ..... D7/649  
D649,840 S \* 12/2011 Lo ..... D7/649  
D649,841 S \* 12/2011 Lo ..... D7/649

\* cited by examiner

*Primary Examiner* — Ricky Pham

(74) *Attorney, Agent, or Firm* — Ostrow Kaufman, LLP

(57) **CLAIM**

The ornamental design for a knife, as shown and described.

**DESCRIPTION**

FIG. 1 is a perspective view of one side, top and rear of the knife, according to one embodiment of my new design;

FIG. 2 is a left side thereof;

FIG. 3 is a right side view thereof;

FIG. 4 is a front view thereof;

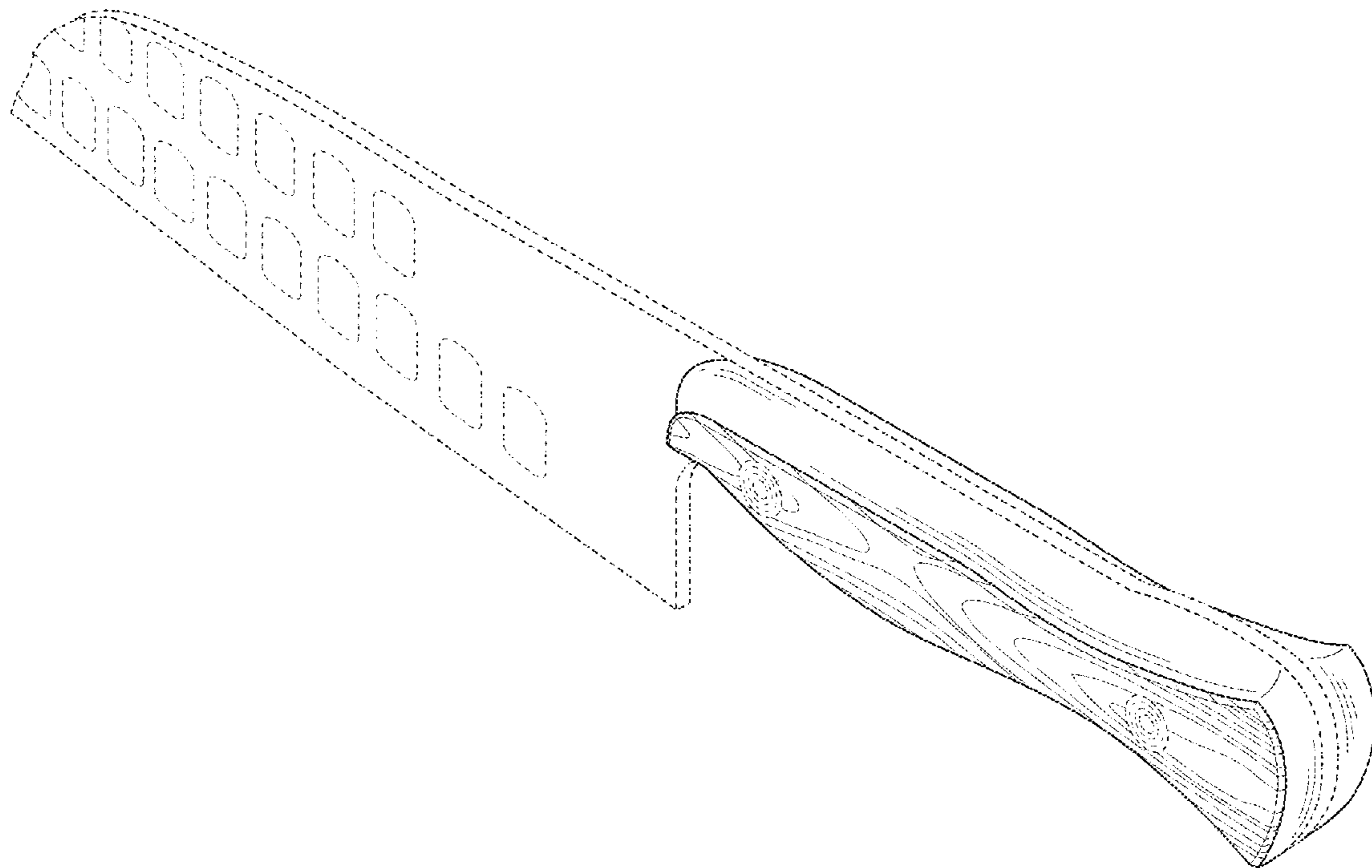
FIG. 5 is a back view thereof;

FIG. 6 is a top view thereof; and,

FIG. 7 is a bottom view thereof.

The broken lines which define the bounds of the claimed design form no part thereof.

**1 Claim, 3 Drawing Sheets**



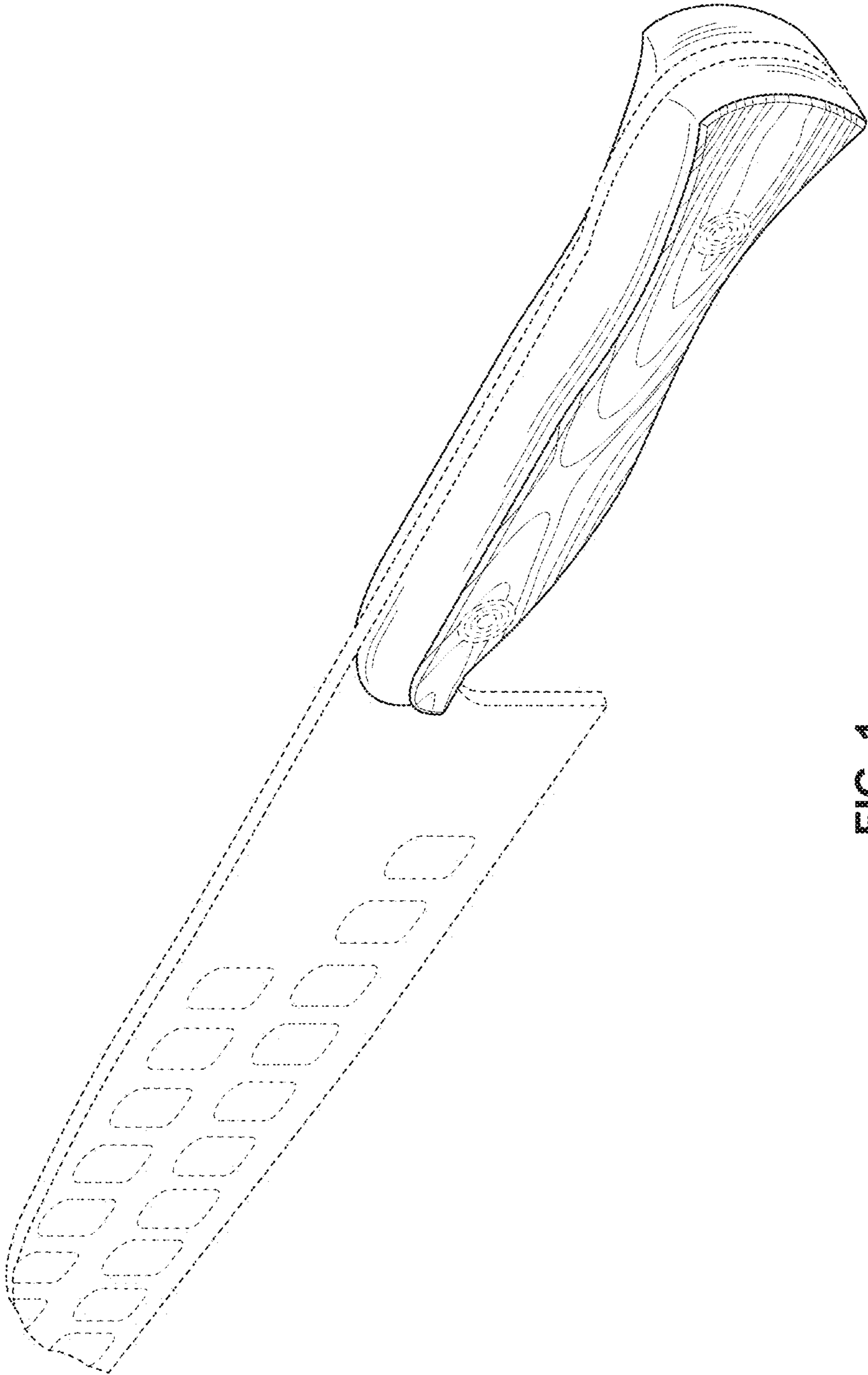


FIG. 1

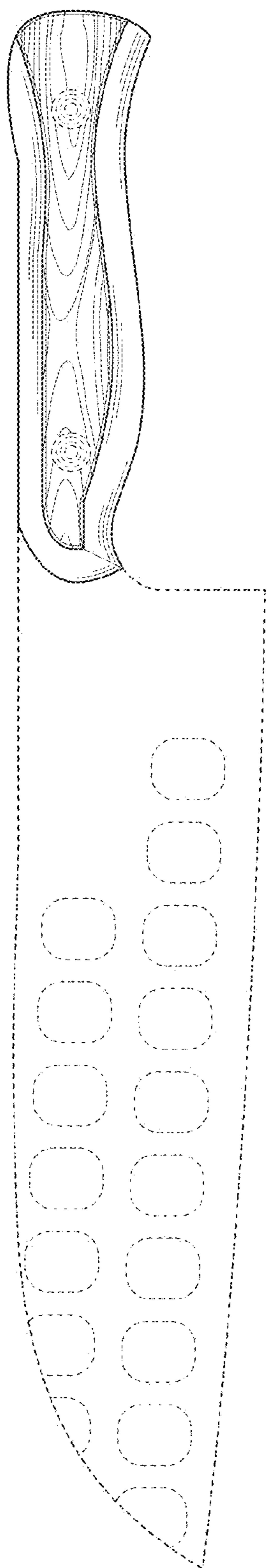


FIG. 2

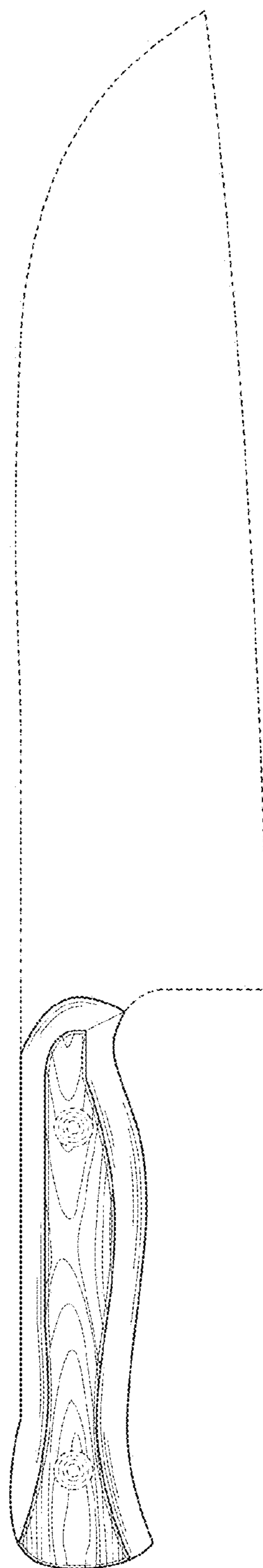


FIG. 3

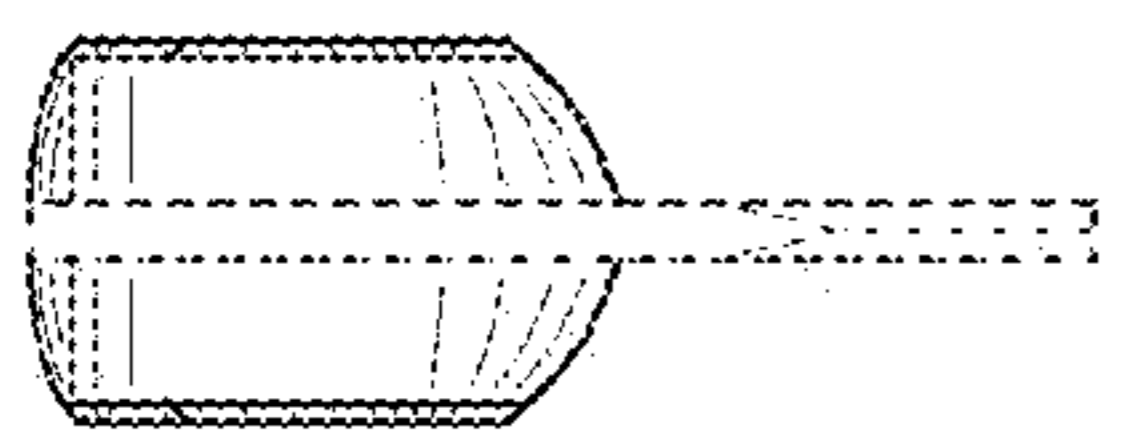


FIG. 4

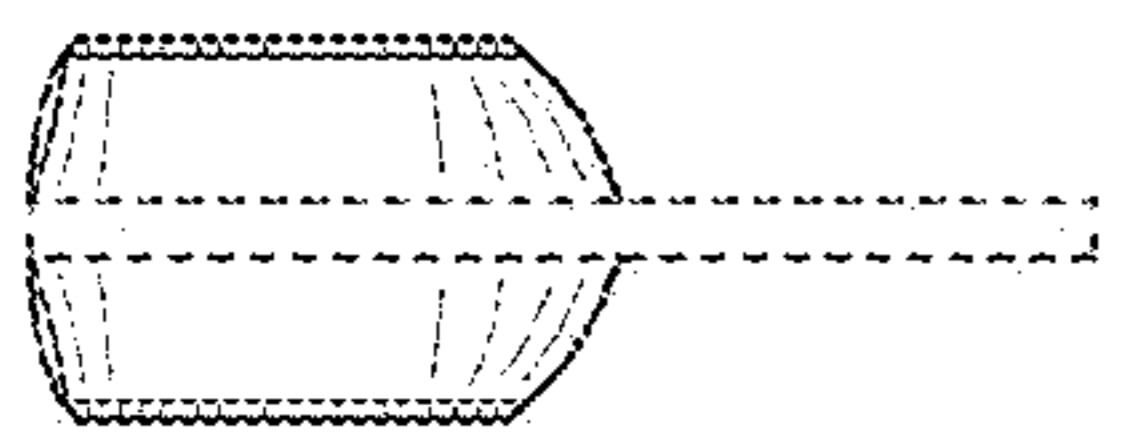


FIG. 5

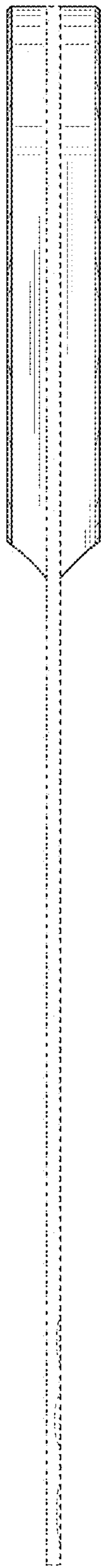


FIG. 6

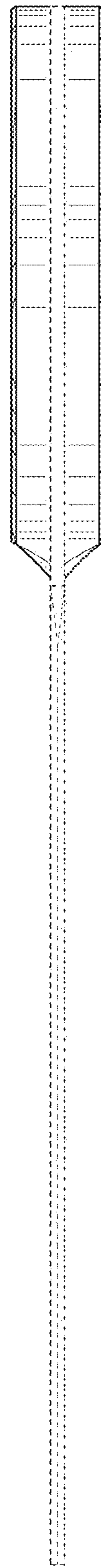


FIG. 7