

US00D694064S

(12) **United States Design Patent**
Costa

(10) **Patent No.:** **US D694,064 S**

(45) **Date of Patent:** **** Nov. 26, 2013**

(54) **KNIFE HANDLE**

(71) Applicant: **Victorinox AG**, Ibach (CH)

(72) Inventor: **Charles Christopher Costa**, Trumbull, CT (US)

(73) Assignee: **Victorinox AG**, Monroe, CT (US)

(**) Term: **14 Years**

(21) Appl. No.: **29/436,500**

(22) Filed: **Nov. 6, 2012**

(51) **LOC (9) Cl.** **07-03**

(52) **U.S. Cl.**

USPC **D7/401.2**; D7/649

(58) **Field of Classification Search**

USPC D7/368, 393-395, 401.2, 642-646, D7/649-654, 660-664, 669, 675-676, 683, D7/688-692, 695-696; D8/25, 83, 99, D8/107, 303; 30/137, 141-143, 147-150, 30/322-327, 329, 335, 340, 342-344, 30/355; 416/70 R

See application file for complete search history.

(56) **References Cited**

U.S. PATENT DOCUMENTS

D233,122 S * 10/1974 Fauzza D7/652
4,825,552 A * 5/1989 Bendickson et al. 30/342
D303,748 S * 10/1989 Yamagishi D7/649
D348,184 S * 6/1994 Neshat et al. D7/646
D354,881 S * 1/1995 Huff D7/401.2

D360,817 S * 8/1995 Moyer et al. D8/107
D375,243 S * 11/1996 Hasegawa D8/107
D436,828 S * 1/2001 Benktzon et al. D8/107
D436,829 S * 1/2001 Benktzon et al. D8/107
D544,777 S * 6/2007 Yeh D8/303
D564,329 S * 3/2008 Hsieh D8/107

* cited by examiner

Primary Examiner — Ricky Pham

(74) *Attorney, Agent, or Firm* — Edwards Wildman Palmer LLP; David Weild, III; Adam P. Daniels

(57) **CLAIM**

The ornamental design for a knife handle, as shown and described.

DESCRIPTION

FIG. 1 is a perspective view of a knife handle according to one representative embodiment of the present invention.

FIG. 2 is a left side elevation view of the knife handle shown in FIG. 1.

FIG. 3 is a right side elevation view of the knife handle shown in FIG. 1, seen from an opposite side to that shown in FIG. 2.

FIG. 4 is a plan view of the knife handle shown in FIG. 1 seen from above.

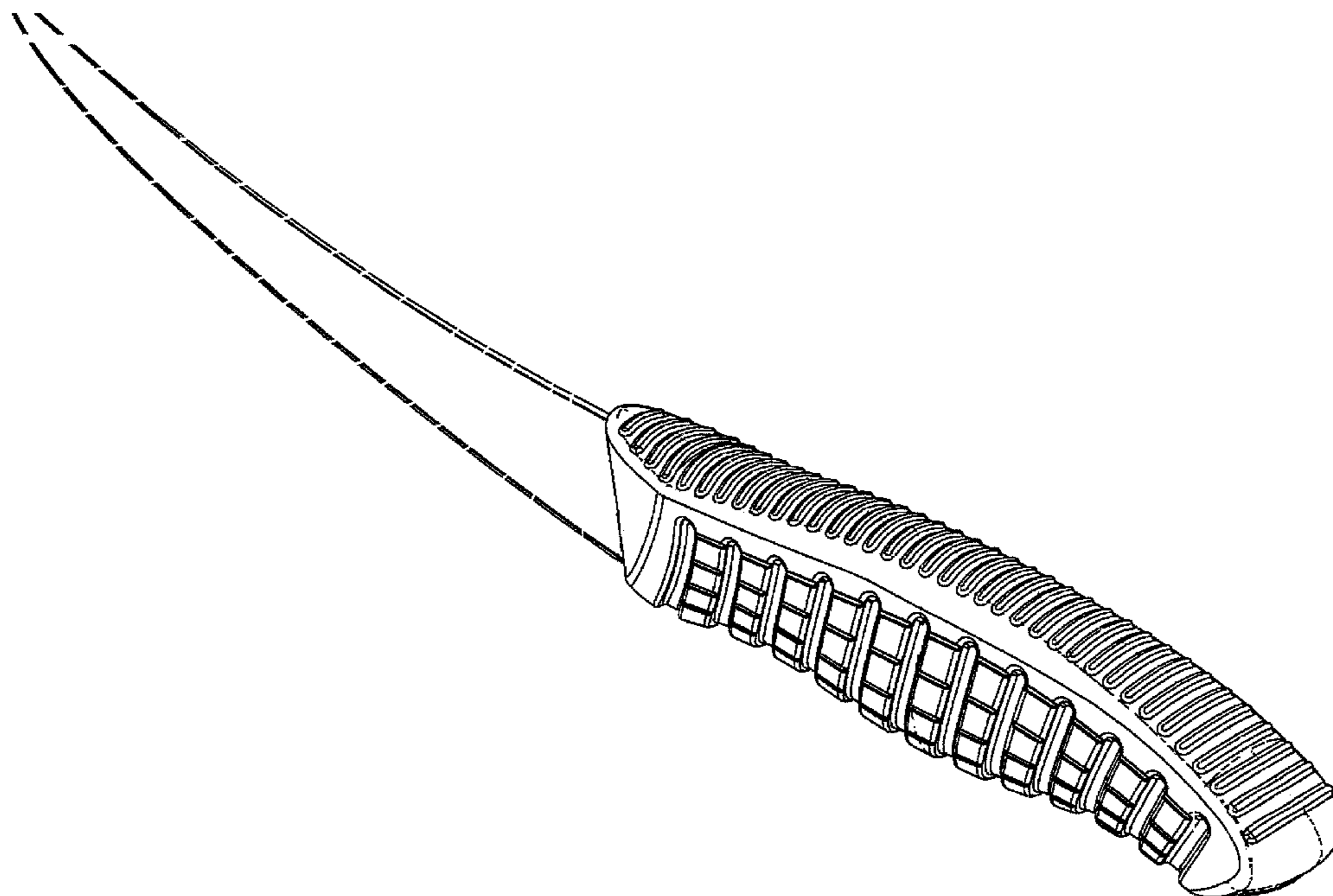
FIG. 5 is a plan view of the knife handle shown in FIG. 1 seen from below.

FIG. 6 is a front elevation view the knife handle as shown in FIG. 1; and,

FIG. 7 is a back elevation view of the knife handle shown in FIG. 1 seen from an opposite side to that shown in FIG. 6.

In each of FIGS. 1-7, the broken lines are for illustrative purposes only and form no part of the claimed design.

1 Claim, 4 Drawing Sheets



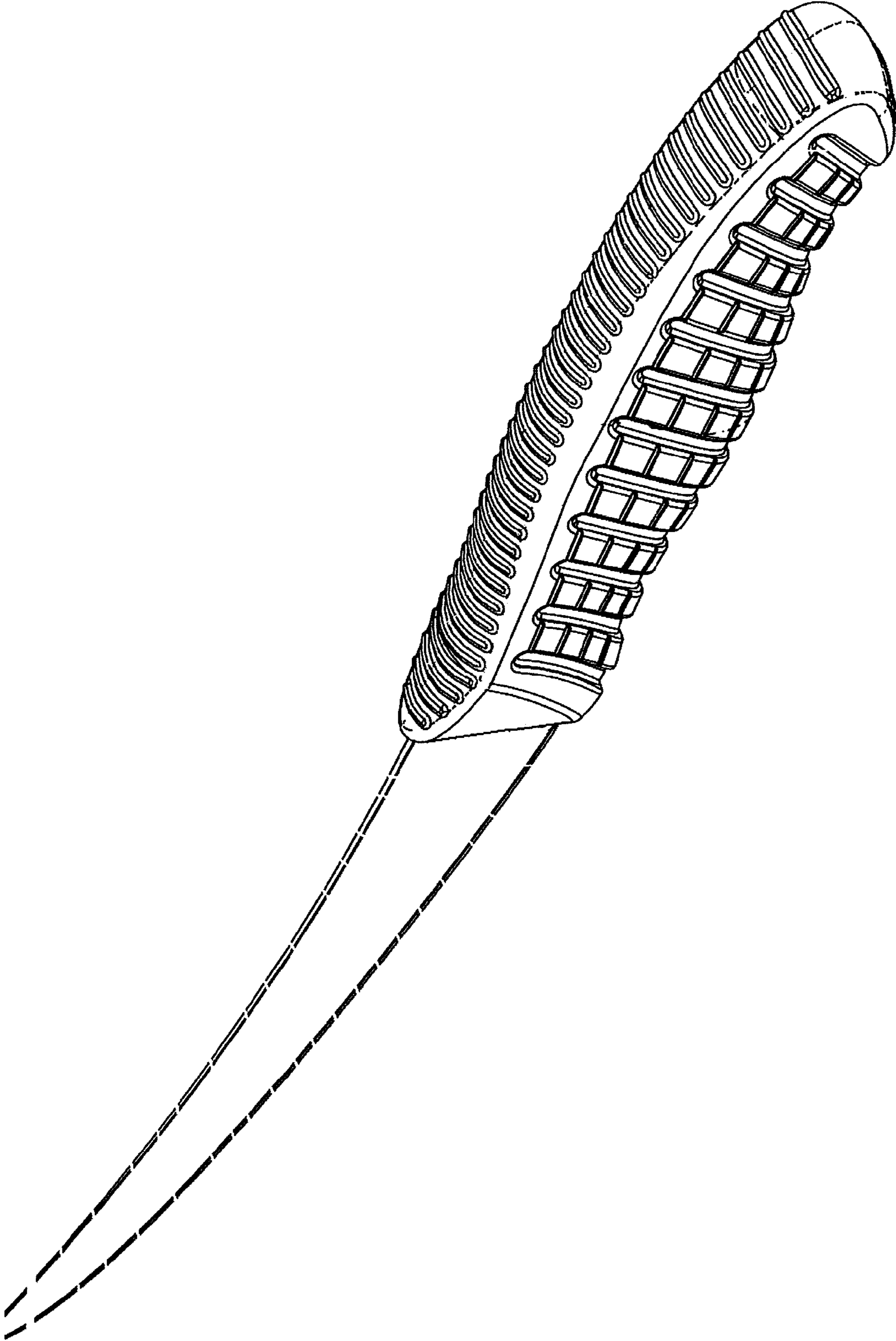


FIG. 1

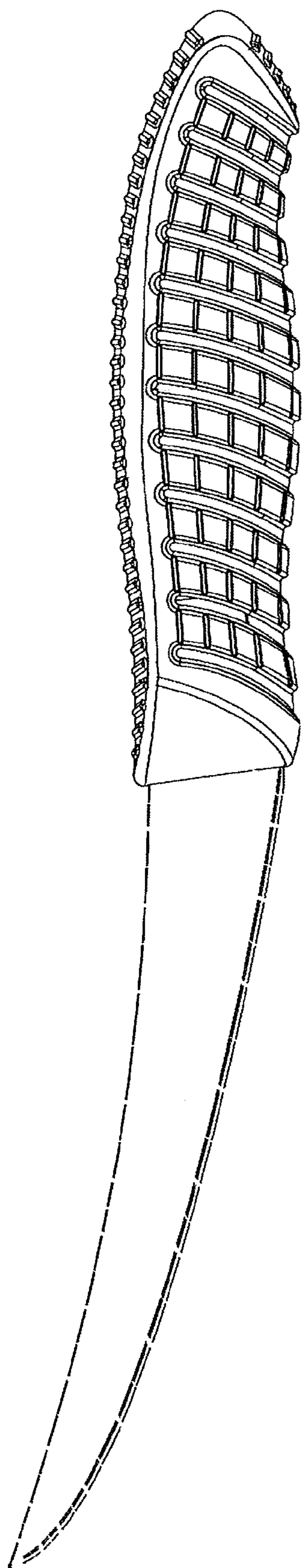


FIG. 2

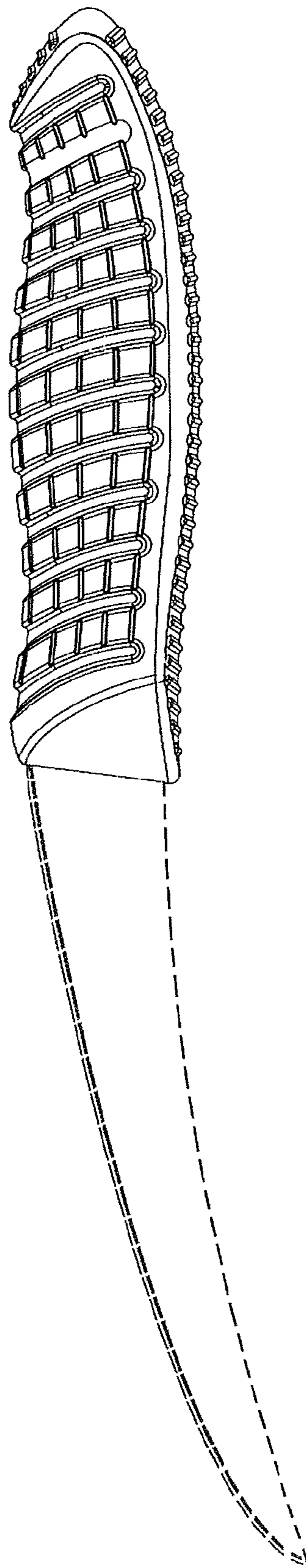


FIG. 3

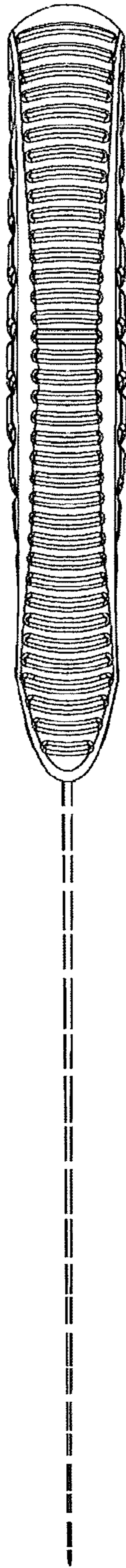


FIG. 4

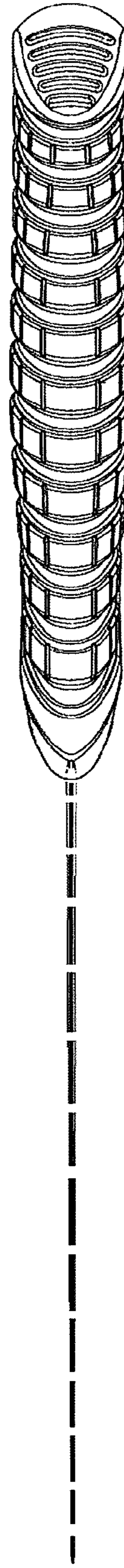


FIG. 5

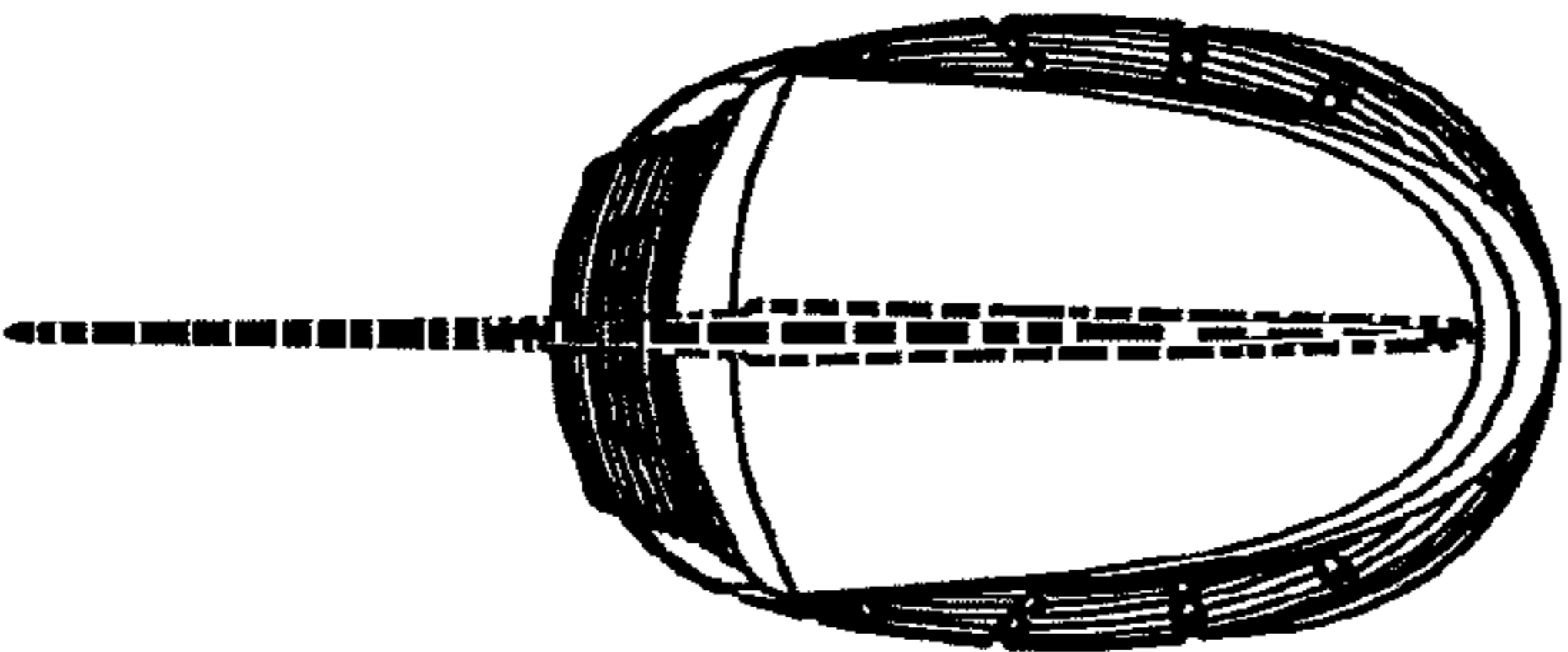


FIG. 6

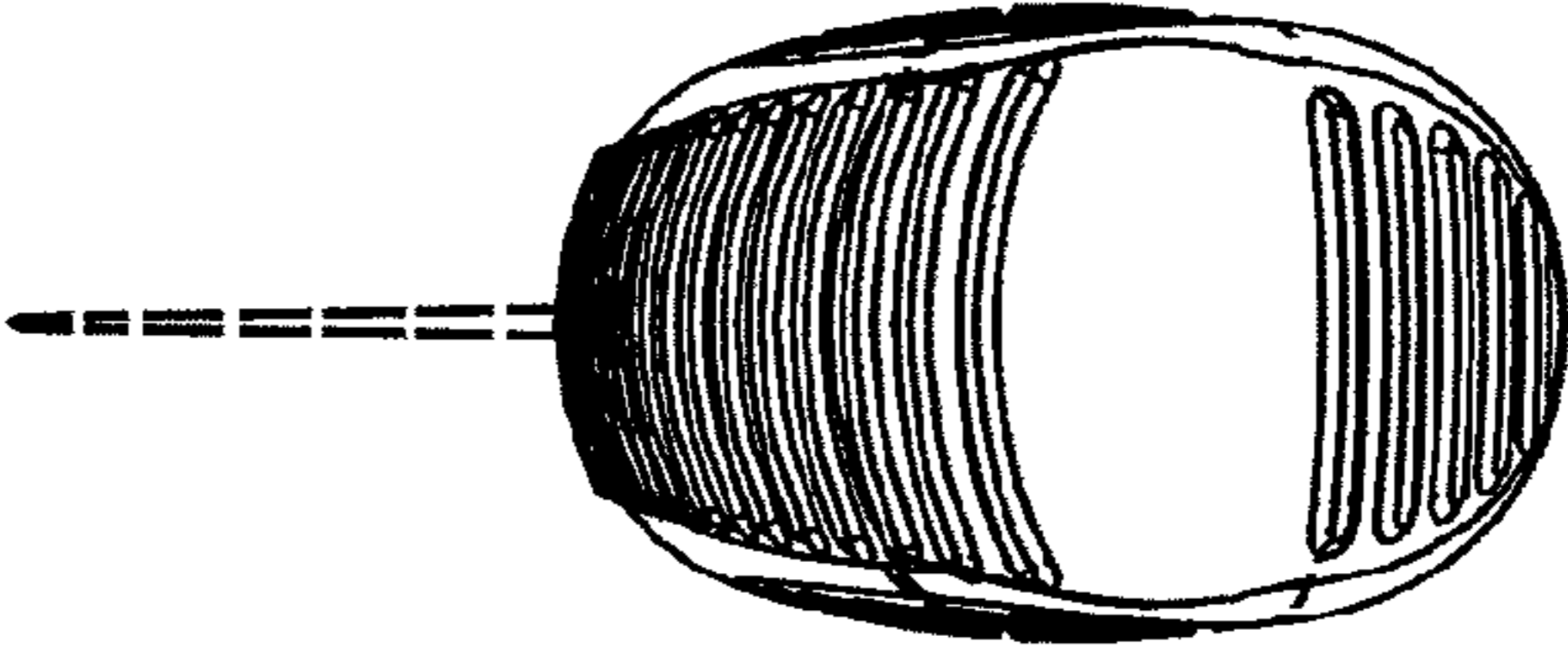


FIG. 7