

US00D694062S

(12) **United States Design Patent**
Andres et al.

(10) **Patent No.:** **US D694,062 S**
(45) **Date of Patent:** **** Nov. 26, 2013**

(54) **LID FOR A CONTAINER**

(75) Inventors: **Brian David Andres**, Harrison, OH (US); **William Kater Lasala**, Mason, OH (US); **Michael Donald Webb**, West Chester, OH (US); **Francisco Miguel de Tavares Duarte Nogueira**, Dendermonde (BE)

(73) Assignee: **The Procter & Gamble Company**, Cincinnati, OH (US)

(**) Term: **14 Years**

(21) Appl. No.: **29/404,634**

(22) Filed: **Oct. 24, 2011**

(51) **LOC (9) Cl.** **07-02**

(52) **U.S. Cl.**
USPC **D7/392.1; D9/435**

(58) **Field of Classification Search**
USPC D7/391, 392, 392.1, 538, 543, 629;
D9/424, 425, 434, 435, 443, 449, 455,
D9/456; D3/201, 273, 294; 220/254.3,
220/258.2, 324, 380, 675, 780, 786, 793;
206/494, 508, 710, 711

See application file for complete search history.

(56) **References Cited**

U.S. PATENT DOCUMENTS

3,981,401	A	*	9/1976	Blanchard	206/508
D297,875	S	*	9/1988	Carville	D34/11
4,917,261	A	*	4/1990	Borst	220/324
D356,256	S	*	3/1995	Romanoff	D3/282
D384,502	S	*	10/1997	Seager et al.	D3/294
5,785,179	A	*	7/1998	Buczynski et al.	206/494
D427,012	S	*	6/2000	Jarvis	D7/391
D478,775	S	*	8/2003	Tanji	D7/392.1
D501,754	S	*	2/2005	Munson et al.	D7/392.1

D502,049	S	*	2/2005	Munson et al.	D7/392.1
D510,802	S	*	10/2005	Sagol	D3/273
D519,734	S	*	5/2006	Richardson et al.	D3/294
D528,357	S	*	9/2006	Hsu	D7/392.1
D536,571	S	*	2/2007	Kim	D7/391
D588,914	S	*	3/2009	Laurieu-Tedeschi	D9/435
D591,555	S	*	5/2009	Sanfilippo et al.	D7/391
D623,482	S	*	9/2010	Lam	D7/629
D637,461	S	*	5/2011	Ho	D7/629
D669,305	S	*	10/2012	Smyers	D7/392
2006/0124643	A1	*	6/2006	Markert et al.	220/254.3

OTHER PUBLICATIONS

U.S. Appl. No. 29/404,636, filed Oct. 24, 2011, Andres.
U.S. Appl. No. 29/404,637, filed Oct. 24, 2011, Andres.
U.S. Appl. No. 29/404,640, filed Oct. 24, 2011, Andres.
U.S. Appl. No. 29/404,649, filed Oct. 24, 2011, Andres.

* cited by examiner

Primary Examiner — Susan E Krakower

(74) *Attorney, Agent, or Firm* — Melissa G. Krasovec; Steven W. Miller

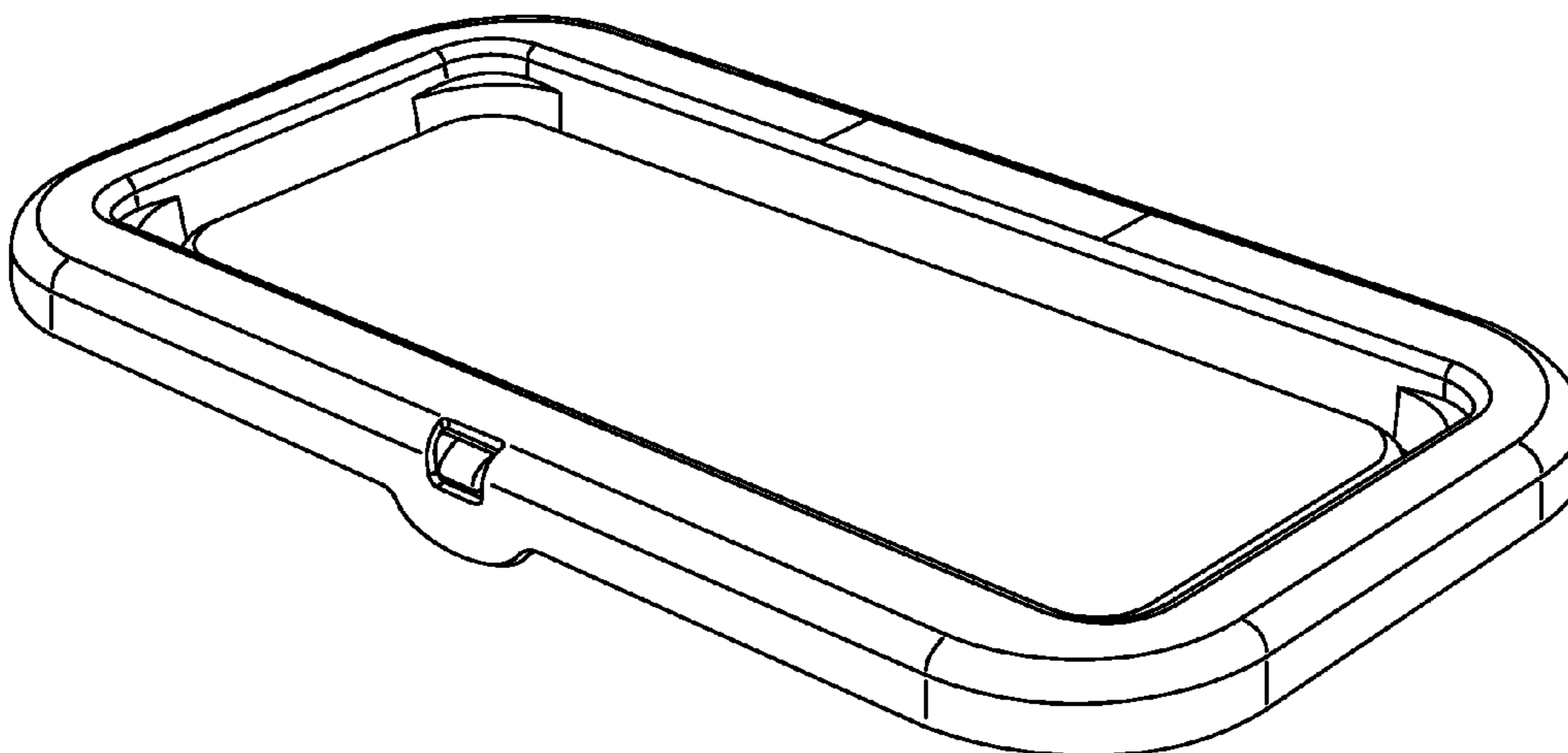
(57) **CLAIM**

The ornamental design for the lid for a container, as shown and described.

DESCRIPTION

FIG. 1 is a perspective view of a lid for a container embodying our new design;
FIG. 2 is a front view of a lid for a container;
FIG. 3 is a back view of a lid for a container;
FIG. 4 is a left side view of a lid for a container;
FIG. 5 is a right side view of a lid for a container;
FIG. 6 is a top view of a lid for a container; and,
FIG. 7 is a bottom view of a lid for a container.
The broken lines illustrate portions of the lid for a container which forms no part of the claimed design.

1 Claim, 7 Drawing Sheets



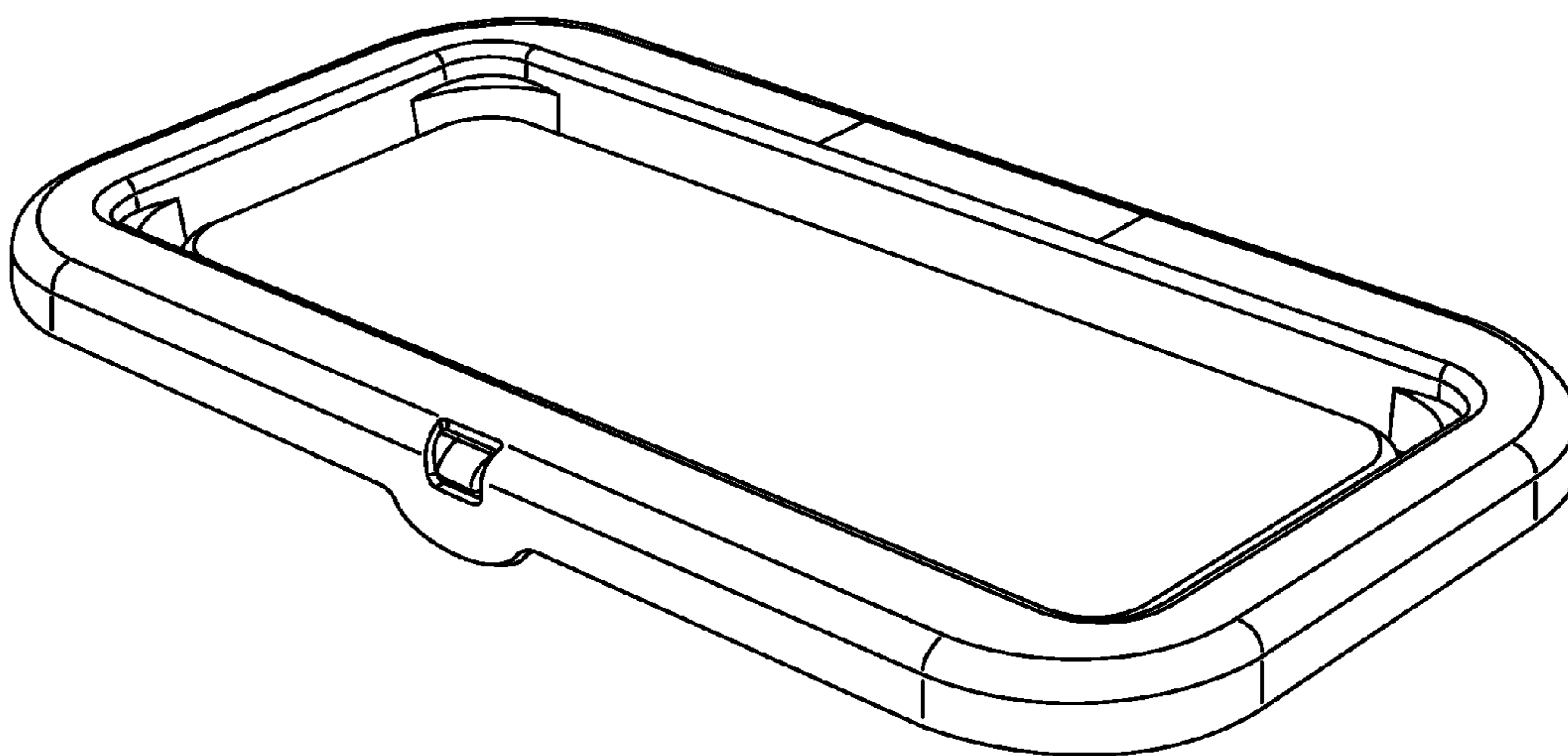


FIG. 1

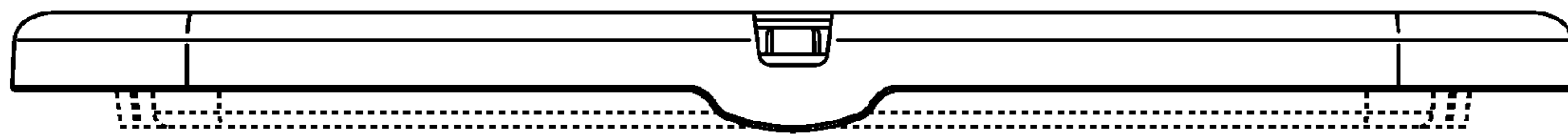


FIG. 2

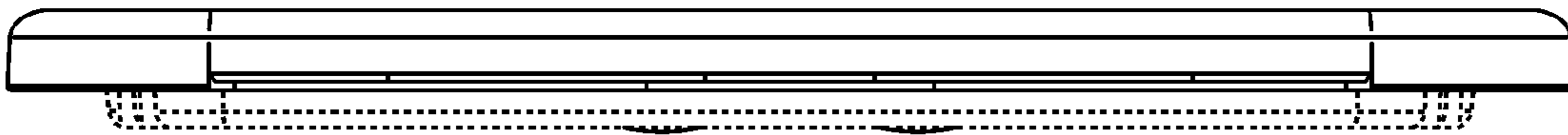


FIG. 3

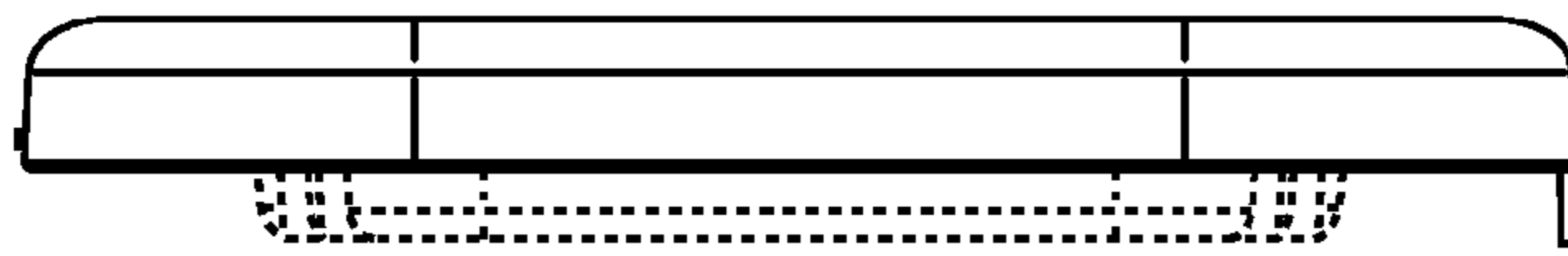


FIG. 4

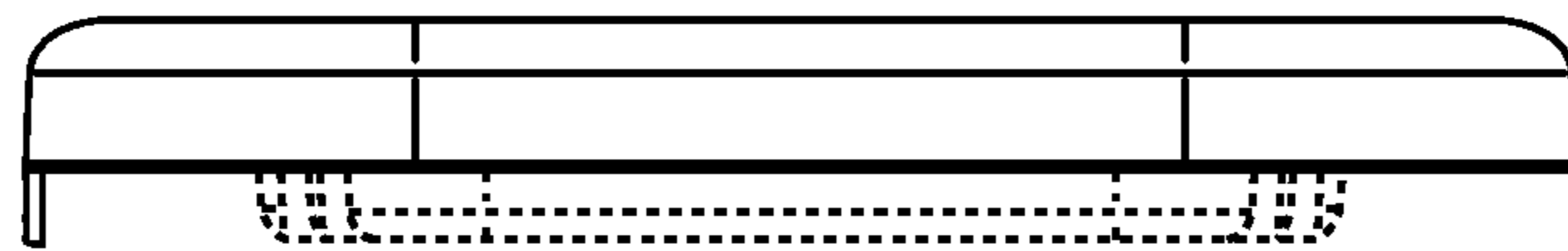


FIG. 5

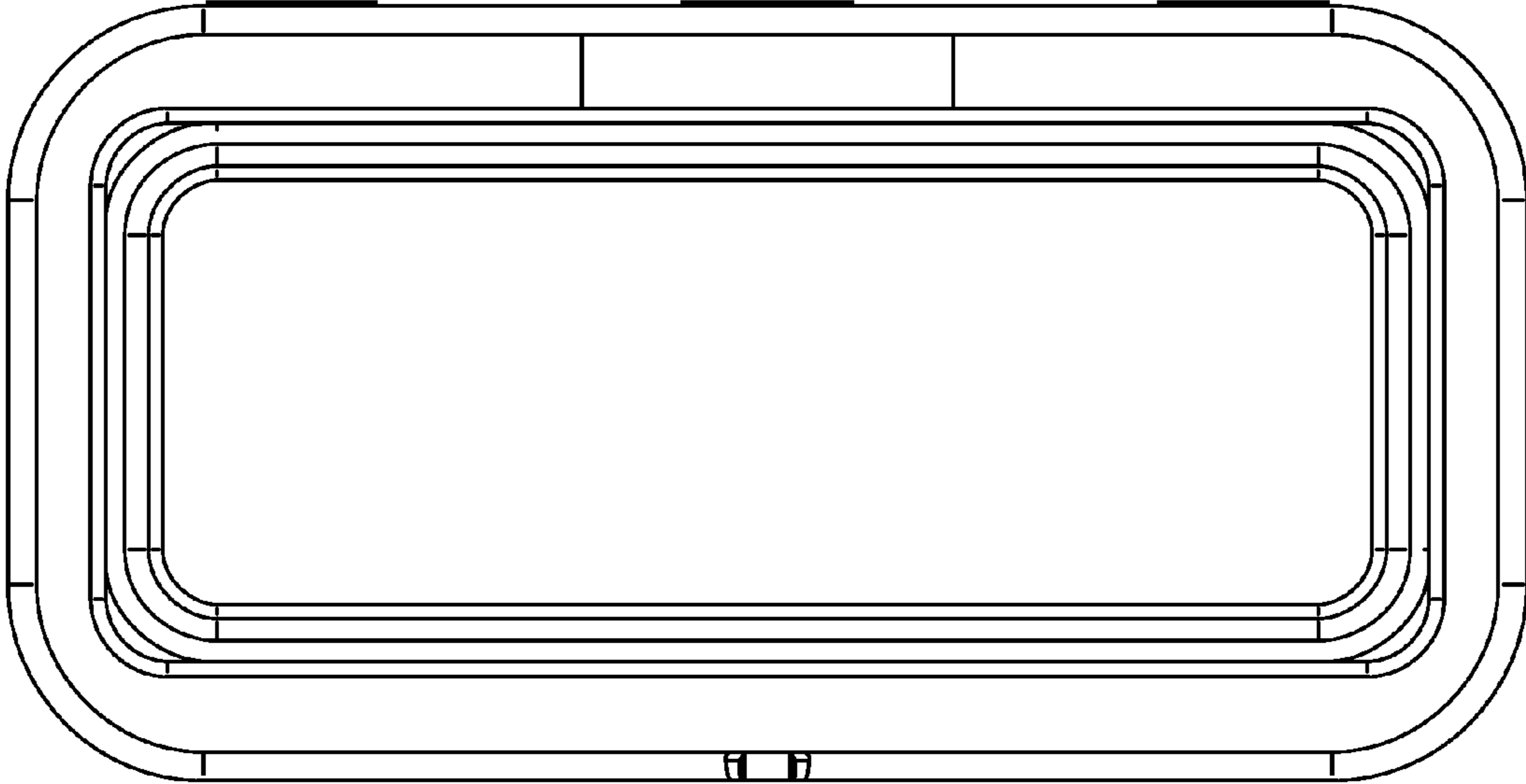


FIG. 6

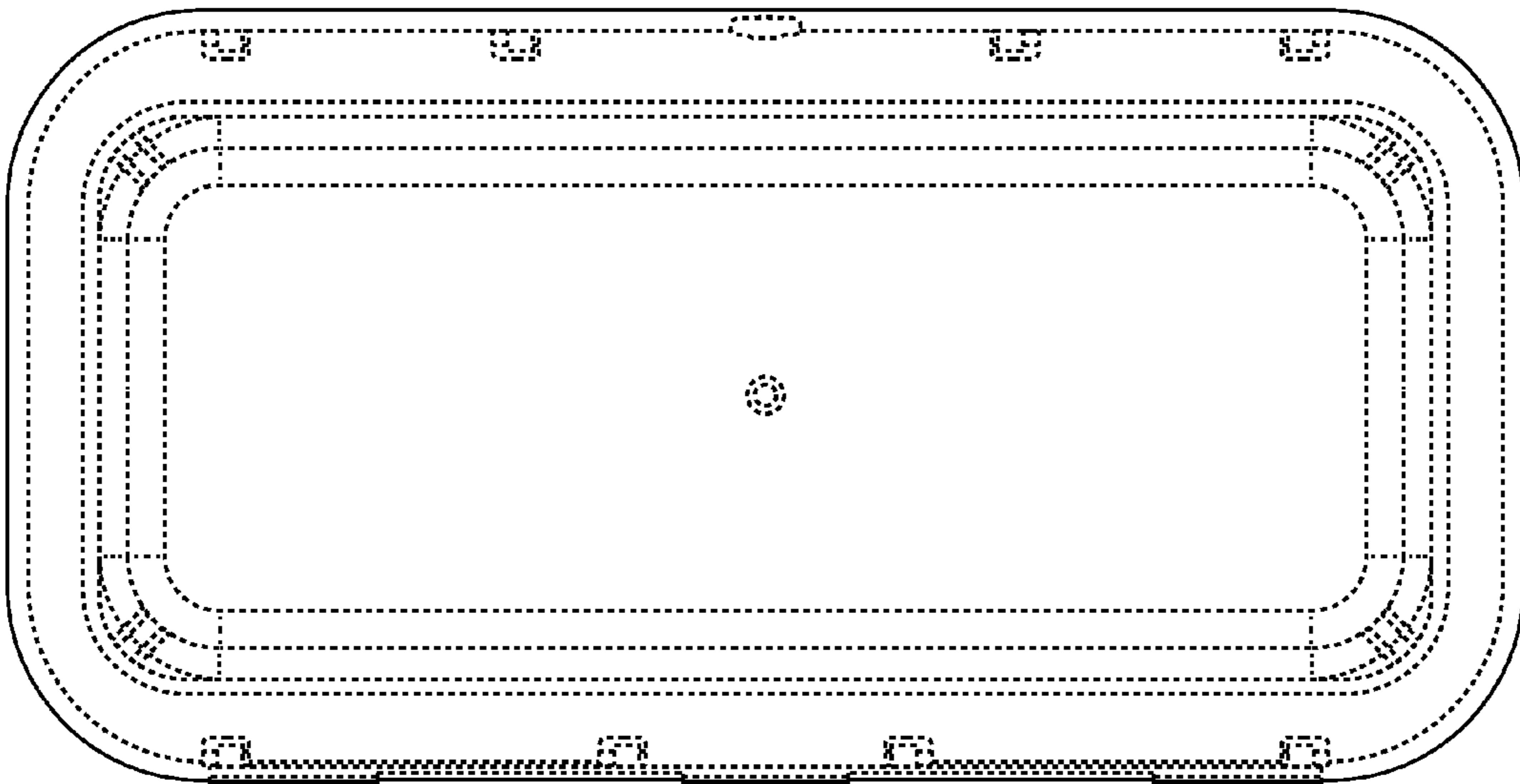


FIG. 7