



US00D694060S

(12) **United States Design Patent**
Paraskevopoulos et al.

(10) **Patent No.:** **US D694,060 S**
(45) **Date of Patent:** **** Nov. 26, 2013**

(54) **KITCHEN APPLIANCE BASE**

FOREIGN PATENT DOCUMENTS

(71) Applicant: **Sensio Inc.**, Montréal (CA)
(72) Inventors: **Dimitri Paraskevopoulos**, Brossard, CA (US); **Martin Gagnon**, Blainville, CA (US)

CA 2654929 12/2007
EP 0839226 9/2001

(Continued)

(73) Assignee: **Sensio Inc.**, Montreal (CA)

Primary Examiner — Ricky Pham

(74) *Attorney, Agent, or Firm* — McDonnell Boehnen Hulbert & Berghoff LLP

(**) Term: **14 Years**

(57) **CLAIM**

(21) Appl. No.: **29/453,673**

The ornamental design for a kitchen appliance base, as shown and described.

(22) Filed: **May 1, 2013**

Related U.S. Application Data

DESCRIPTION

(62) Division of application No. 29/438,973, filed on Dec. 5, 2012, now Pat. No. Des. 684,010.

(51) **LOC (9) Cl.** **31-00**

(52) **U.S. Cl.**

USPC **D7/386; D7/376; D7/378; D7/412**

(58) **Field of Classification Search**

USPC D7/301–313, 316–326, 356–357, 368, D7/372–386, 391–398, 412–415, 503, 515, D7/665–666, 679, 691–693; 99/280, 326, 99/348, 492, 508–512; 241/30–37.5, 98, 241/101.01–101.2, 166–169.1, 172, 272, 241/285.1–285.3, 291, 292.1; 366/64–67, 366/98, 129, 142–144, 192–211, 241–254, 366/262, 279–292, 325.8, 325.92, 366/341–347; 416/75–77, 70 R, 163

See application file for complete search history.

FIG. 1 is a perspective view taken from a top, rear, right side of a kitchen appliance base, according to our new design; FIG. 2 is a front elevation view thereof; FIG. 3 is a rear elevation view thereof; FIG. 4 is a left side elevation view thereof; FIG. 5 is a right side elevation view thereof; FIG. 6 is a top plan view thereof; and, FIG. 7 is a bottom plan view thereof.

The design consists of the visual features of the portions of the kitchen appliance base shown in solid lines in the drawings, whether those features are features of one of shape, configuration, ornament or pattern or a combination of any of these features. Throughout the Figures, where shown: (i) the dotted lines showing additional structure of the kitchen appliance base are for illustrative purposes only and form no part of the claimed design; (ii) the unshaded surfaces do not form part of the claimed design; and (iii) the dotted/dashed lines illustrate unclaimed boundaries of surfaces claimed as part of the design. Portions of the kitchen appliance base not shown in the Figures and not otherwise described in this Specification do not form part of the claimed design.

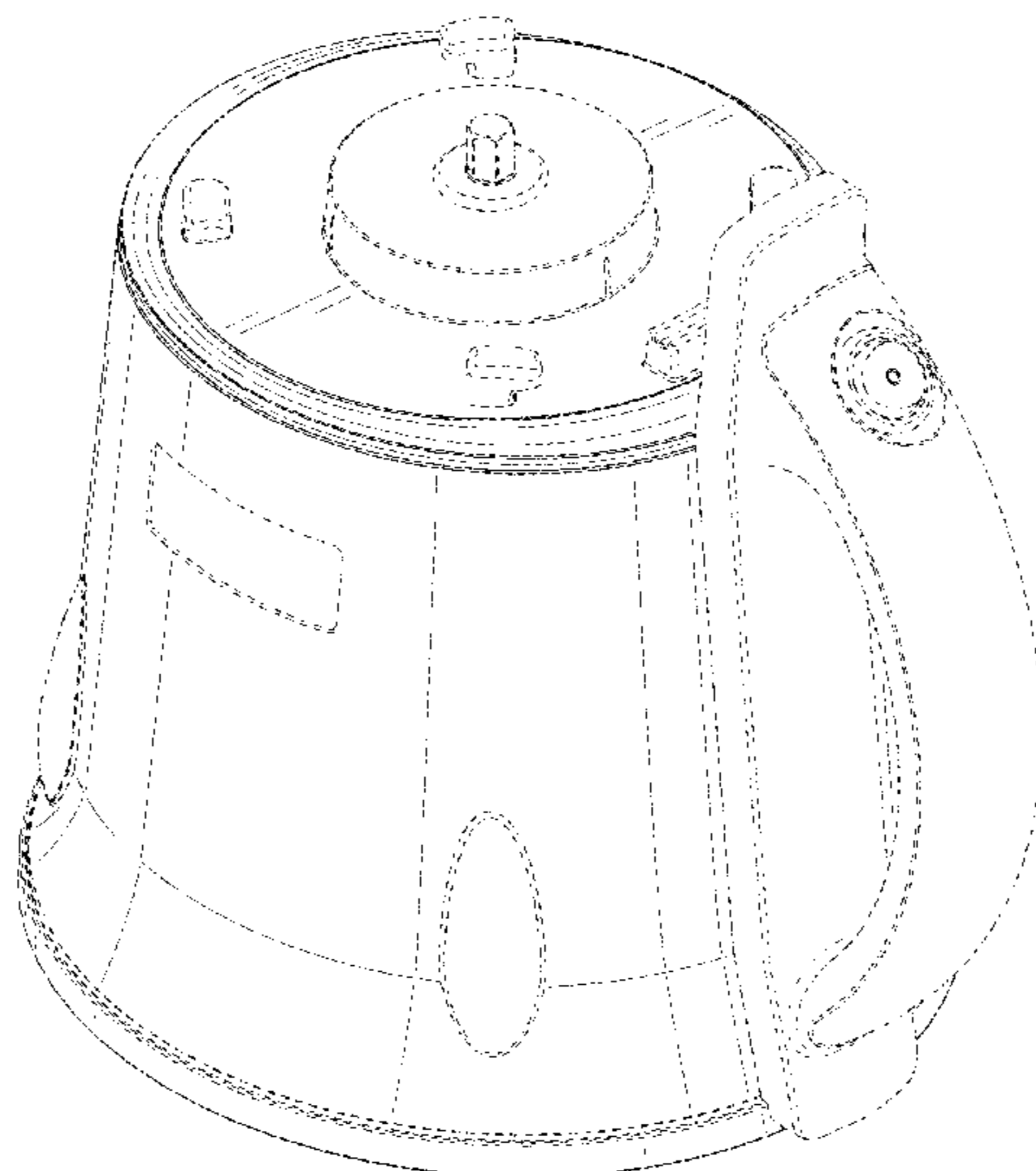
(56) **References Cited**

U.S. PATENT DOCUMENTS

D175,601 S 9/1955 Huck
D199,888 S 12/1964 Dewenter

(Continued)

1 Claim, 7 Drawing Sheets



(56)

References Cited

U.S. PATENT DOCUMENTS

3,240,246	A *	3/1966	Dewenter	241/98
3,315,946	A	4/1967	Nissman	
D343,987	S *	2/1994	Rotte	D7/386
6,247,393	B1	6/2001	Chang	
D445,635	S	7/2001	Gort-Barten	
D448,236	S *	9/2001	Murray	D7/326
D448,967	S	10/2001	Planca et al.	
D466,362	S	12/2002	Moore	
6,513,967	B2	2/2003	Masip et al.	
D479,666	S *	9/2003	Barker	D7/378
D498,643	S	11/2004	Pryor, Jr. et al.	
D507,149	S	7/2005	Ball et al.	
D510,238	S	10/2005	Yen	
D547,118	S *	7/2007	Picozza et al.	D7/412
D553,426	S *	10/2007	Lin	D7/378
D556,505	S *	12/2007	Wu	D7/378
7,318,666	B1 *	1/2008	Lin	366/206
D577,944	S *	10/2008	Spiegel	D7/309
D582,204	S *	12/2008	Garman	D7/378
D607,686	S *	1/2010	Elissen	D7/319
D630,467	S *	1/2011	Harrod	D7/376
D643,265	S	8/2011	Kim et al.	
8,091,473	B2	1/2012	Kim	
D684,010	S *	6/2013	Paraskevopoulos et al. ..	D7/412
2002/0012288	A1	1/2002	Masip et al.	
2011/0083566	A1	4/2011	Backus	

FOREIGN PATENT DOCUMENTS

EP	1639905	3/2006
EP	1689250	8/2006
EP	1066953	12/2006

EP	1619966	12/2006
EP	1903094	3/2010
EP	2194822	6/2010
EP	2194823	6/2010
EP	2334217	6/2011
EP	1692954	8/2011
EP	2352404	8/2011
EP	2427088	3/2012
EP	2326220	8/2012
EP	2497393	9/2012
EP	2510842	10/2012
EP	2515721	10/2012
EP	2545818	1/2013
ES	2217926	11/2004
ES	2238110	8/2005
FR	2839255	11/2003
FR	2906110	3/2008
FR	2932665	12/2009
FR	2938415	5/2010
FR	2939355	6/2010
FR	2945196	11/2010
FR	2954072	6/2011
FR	2967034	5/2012
FR	2967035	5/2012
WO	2012/007406	1/2012
WO	2012/013150	2/2012
WO	2012/036381	3/2012
WO	2012/057483	5/2012
WO	2012/057484	5/2012
WO	2012/091235	7/2012
WO	2012/108588	8/2012
WO	2012/121642	9/2012
WO	2012/165713	12/2012
WO	2013/012198	1/2013

* cited by examiner

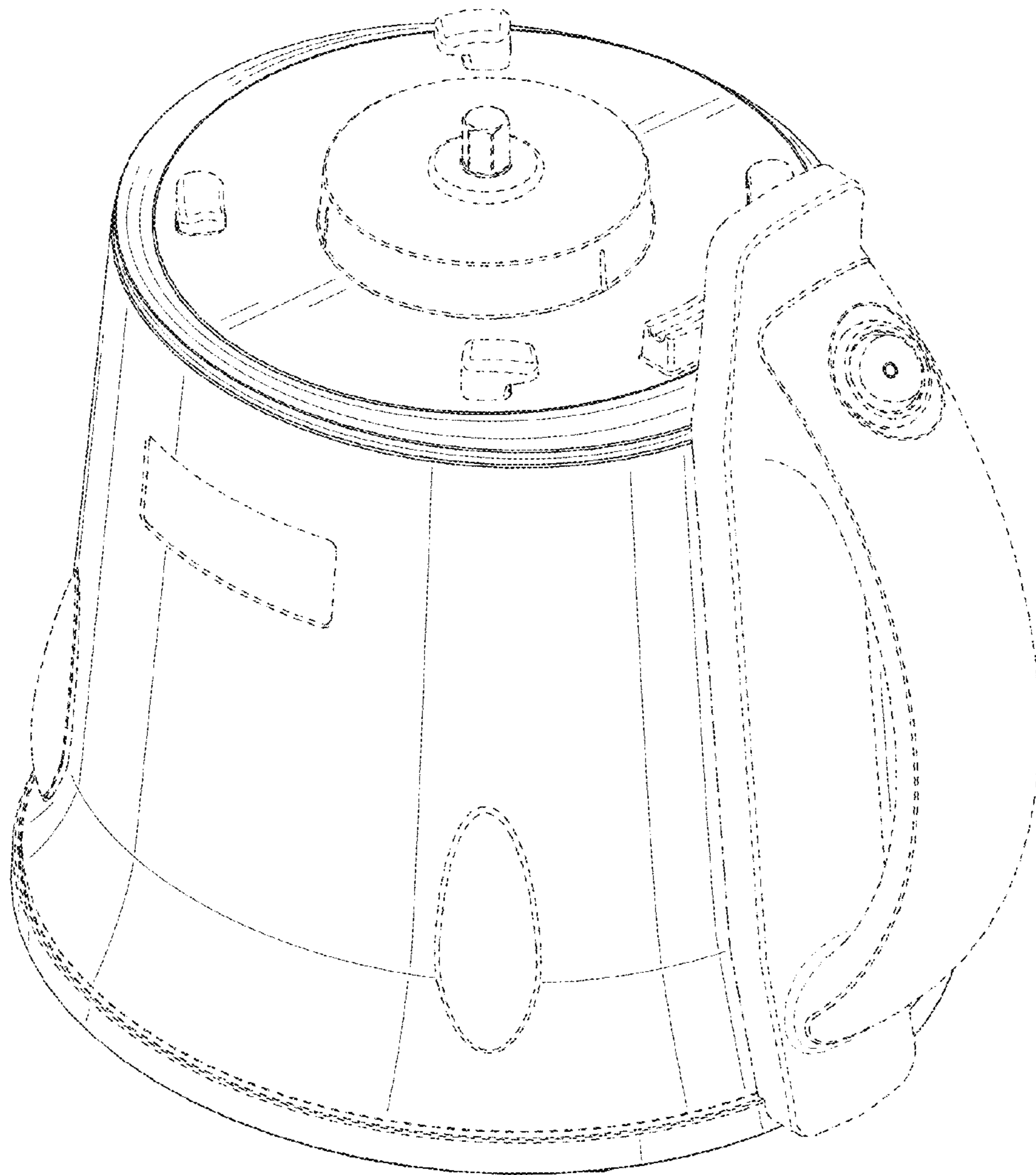


FIG. 1

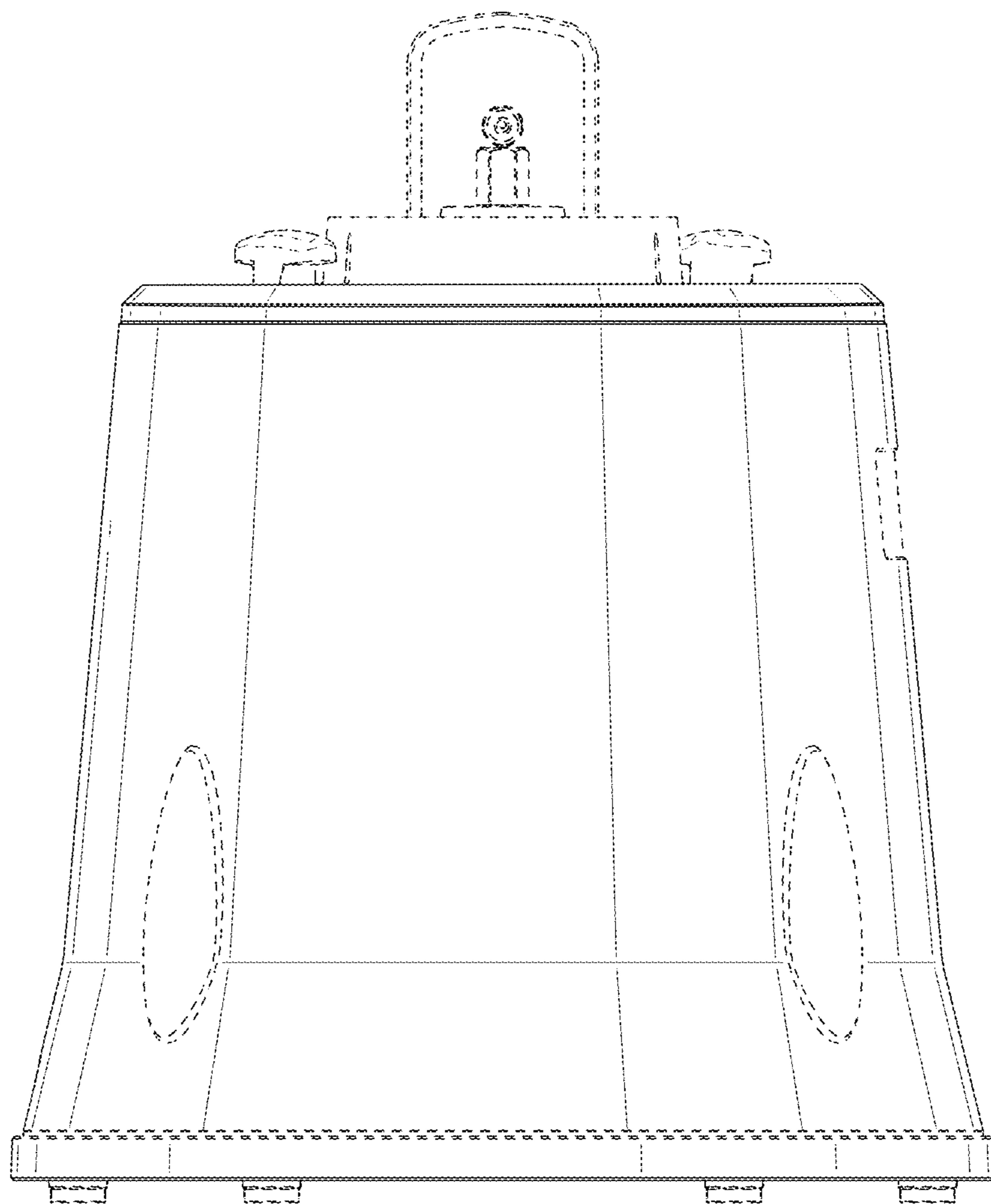


FIG. 2

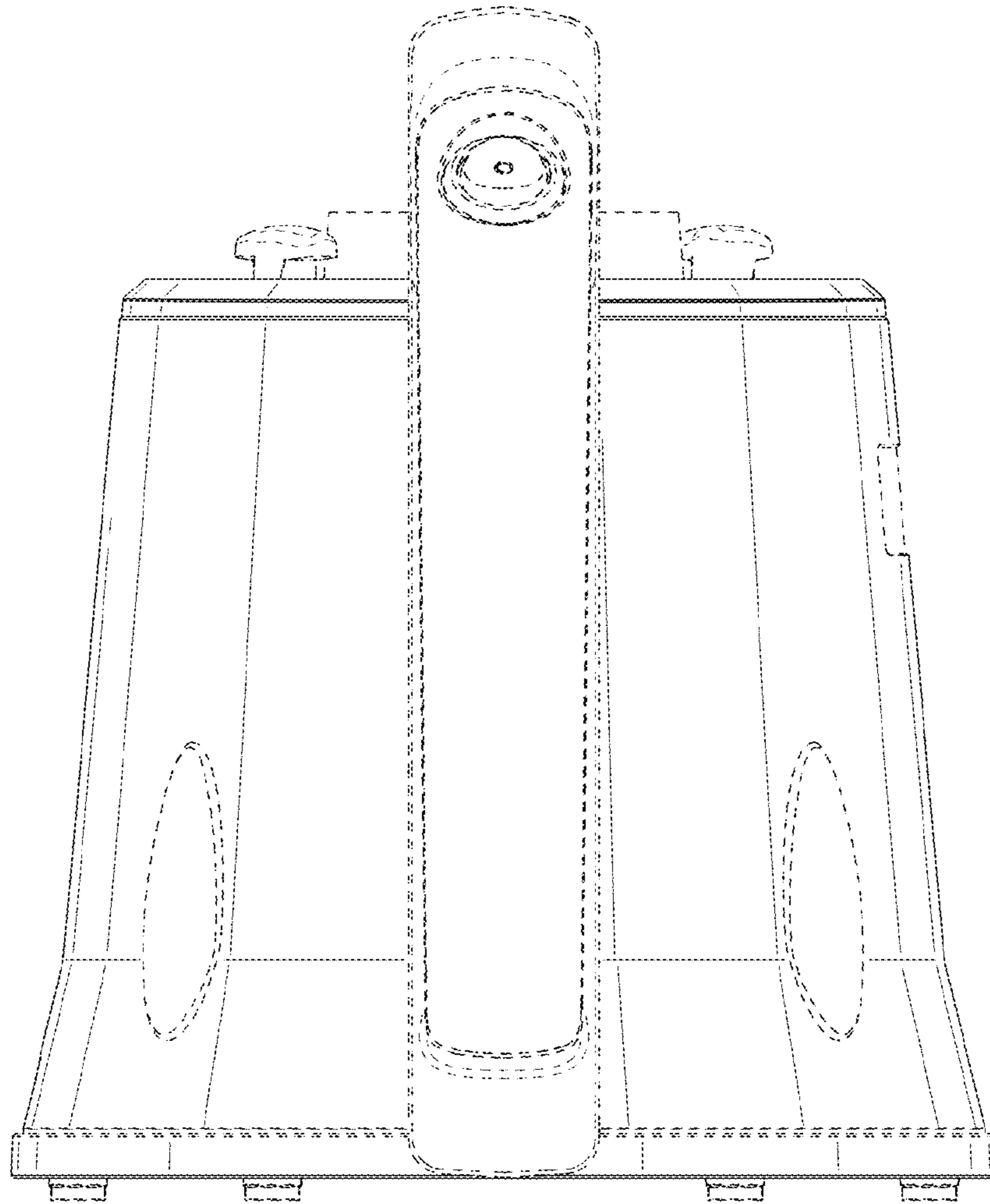


FIG. 3

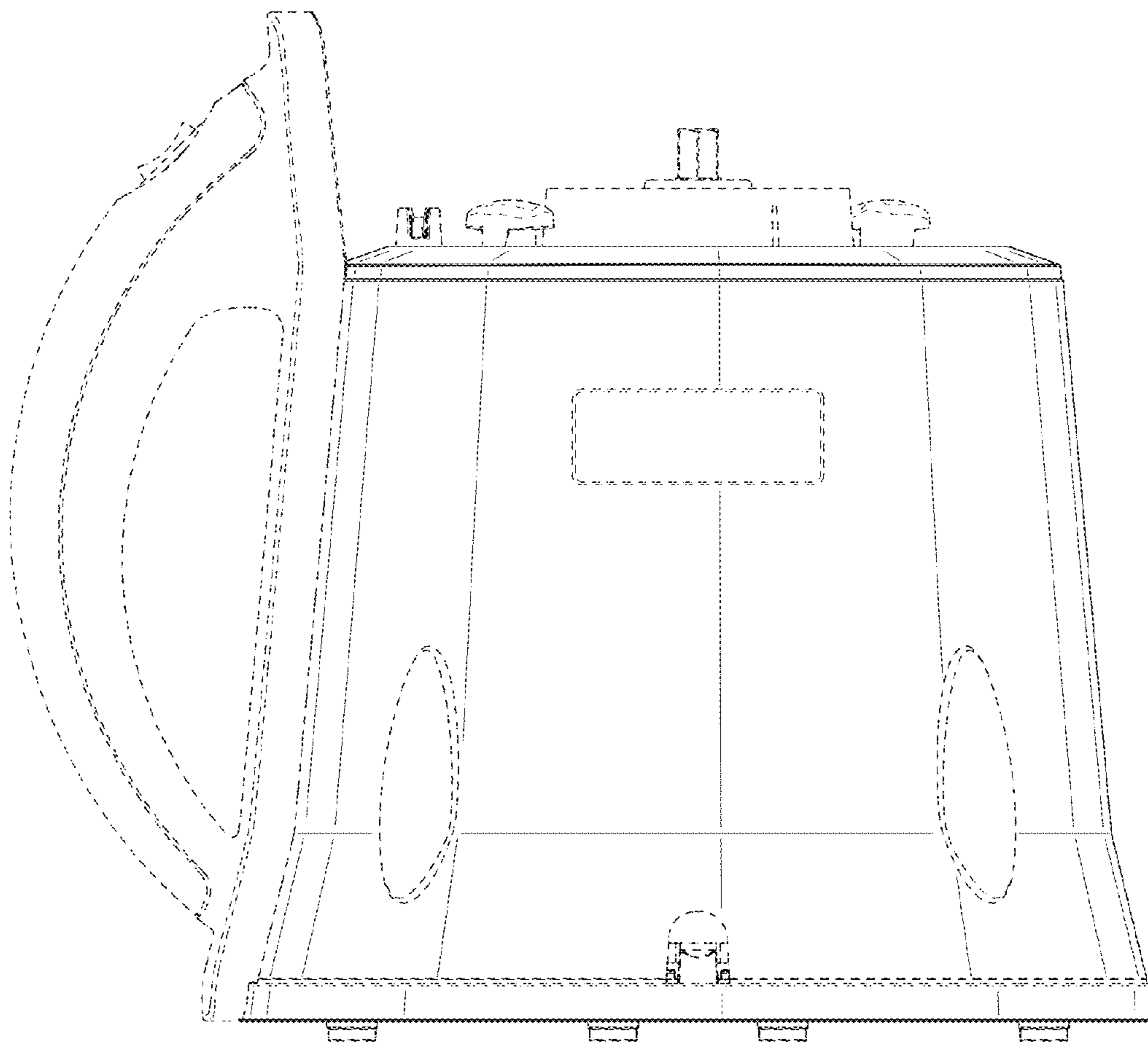


FIG. 4

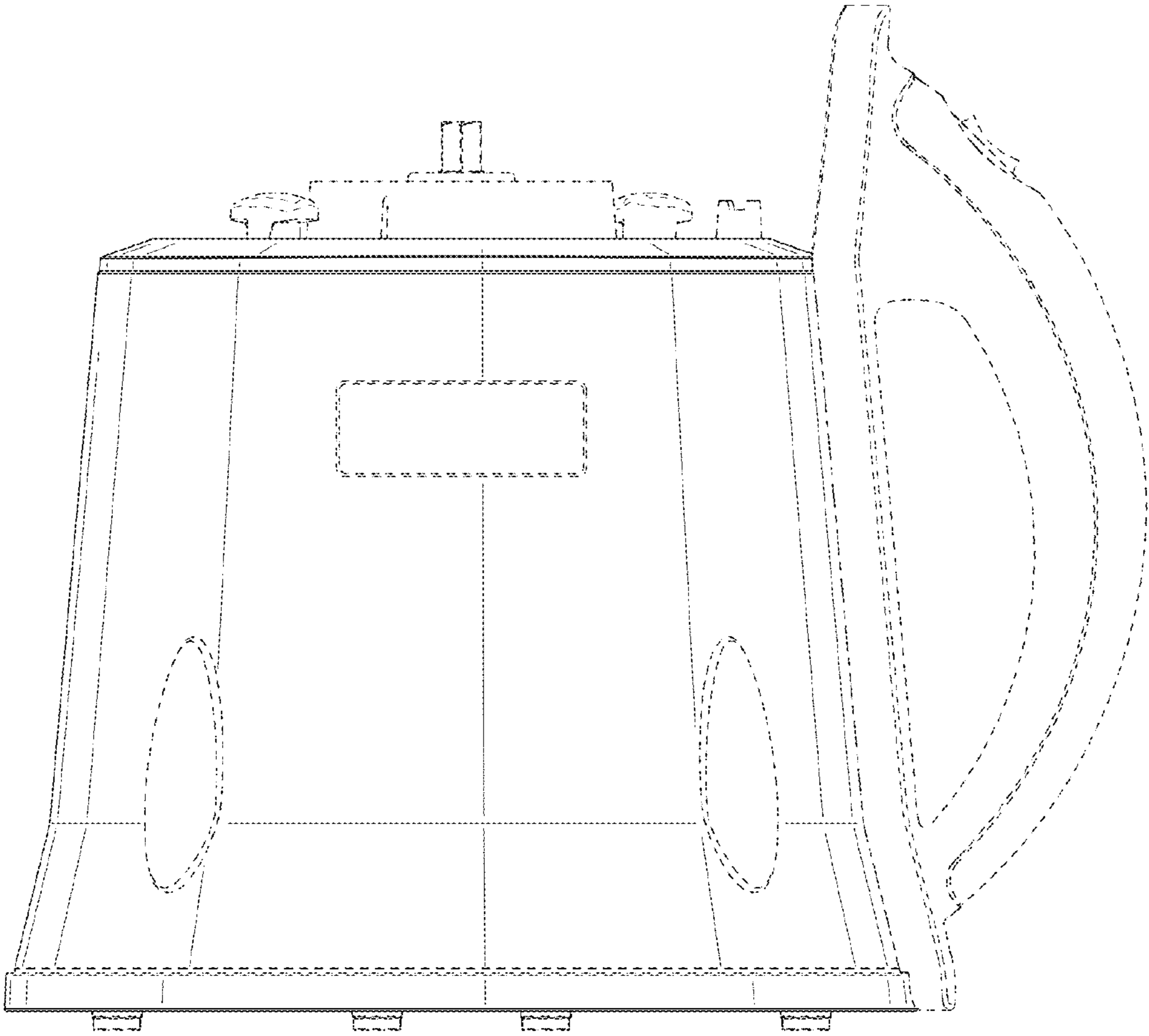


FIG. 5

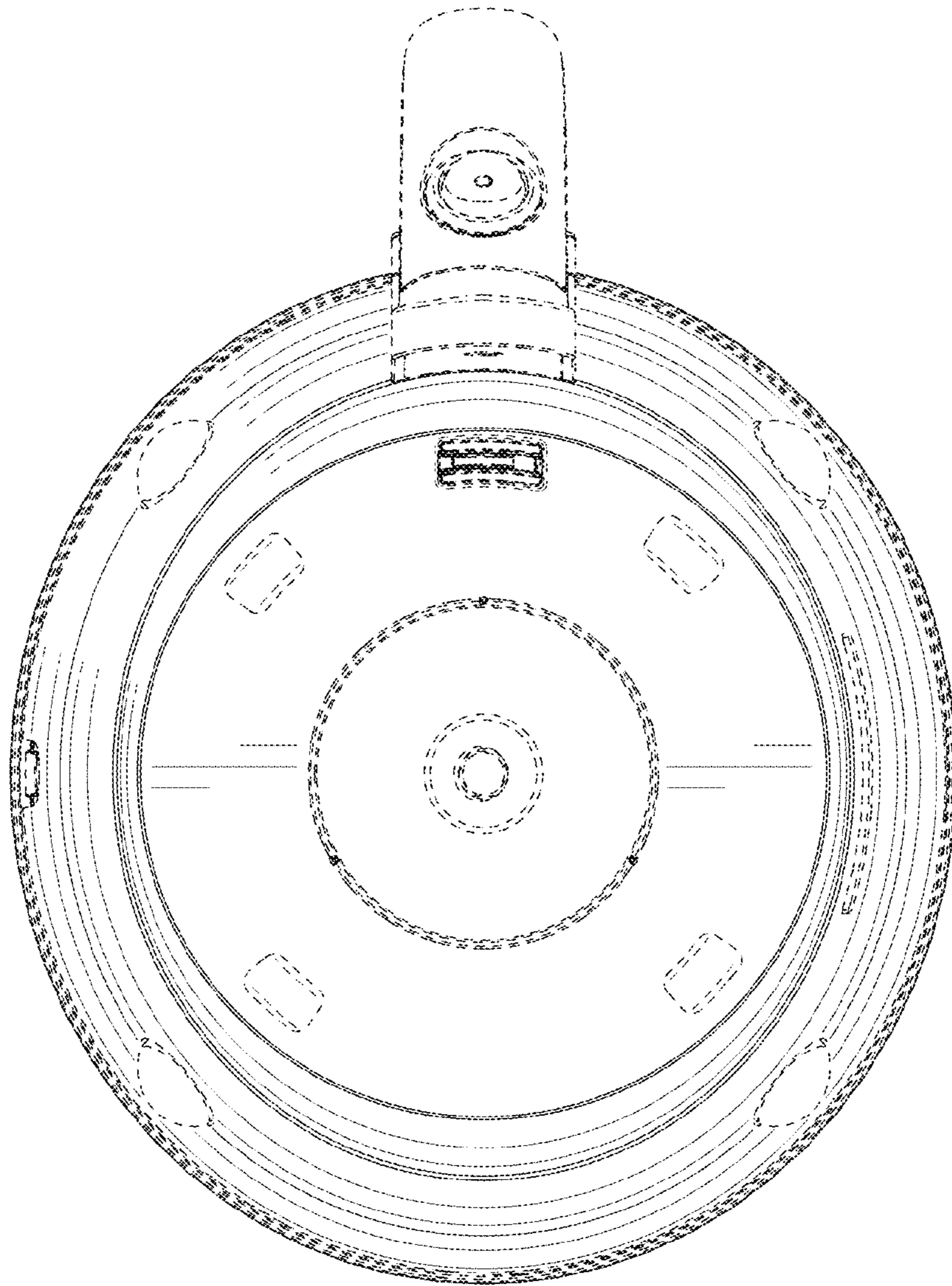


FIG. 6

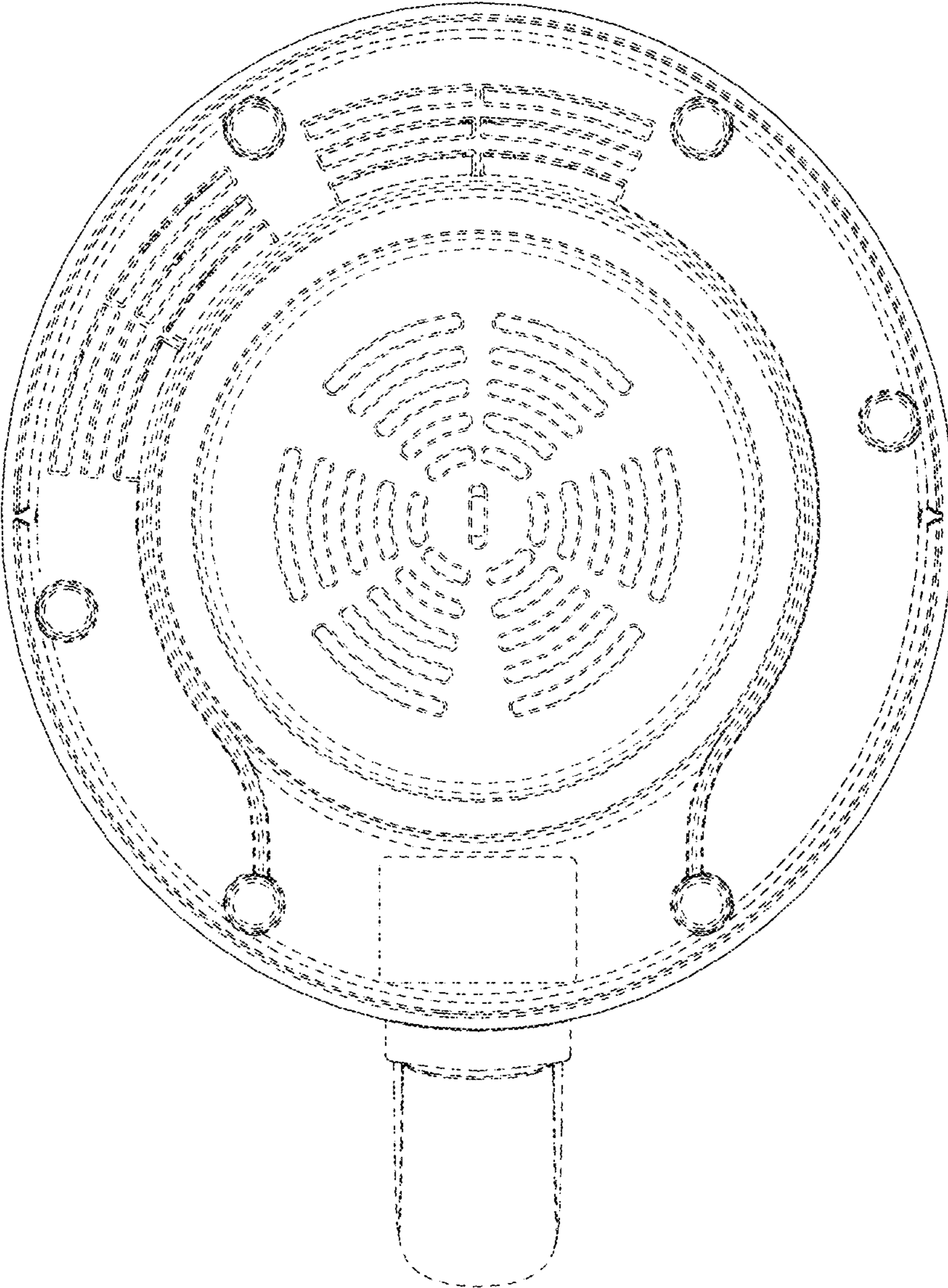


FIG. 7