



US00D694058S

(12) **United States Design Patent**  
**Difante**

(10) **Patent No.:** **US D694,058 S**  
(45) **Date of Patent:** **\*\* Nov. 26, 2013**

(54) **RECTANGULAR STOCK POT  
MULTI-COOKER**

*Primary Examiner* — Ricky Pham

(71) Applicant: **Agostino Difante**, San Clemente, CA  
(US)

(57) **CLAIM**  
The ornamental design for a rectangular stock pot multi-cooker, as shown and described.

(72) Inventor: **Agostino Difante**, San Clemente, CA  
(US)

(\*\*) Term: **14 Years**

**DESCRIPTION**

(21) Appl. No.: **29/442,389**

(22) Filed: **Feb. 21, 2013**

(51) **LOC (9) Cl.** ..... **07-02**

(52) **U.S. Cl.**  
USPC ..... **D7/356; D7/354**

(58) **Field of Classification Search**  
USPC ..... D7/323, 329–332, 337–339, 346–347,  
D7/350.1–350.4, 353–367, 391–395,  
D7/402–406, 538, 542–543, 665;  
99/324–327, 330–343, 369, 366,  
99/400–418, 422, 425, 444, 483; 126/37 R,  
126/41 R, 261, 378.1; 177/144;  
219/386–387, 400, 405, 429–442,  
219/452.11, 521–525, 620–624, 725,  
219/730–735; 220/23.88, 314–315, 485,  
220/573.1–573.5, 592.16, 912; 426/438,  
426/441, 523

See application file for complete search history.

(56) **References Cited**

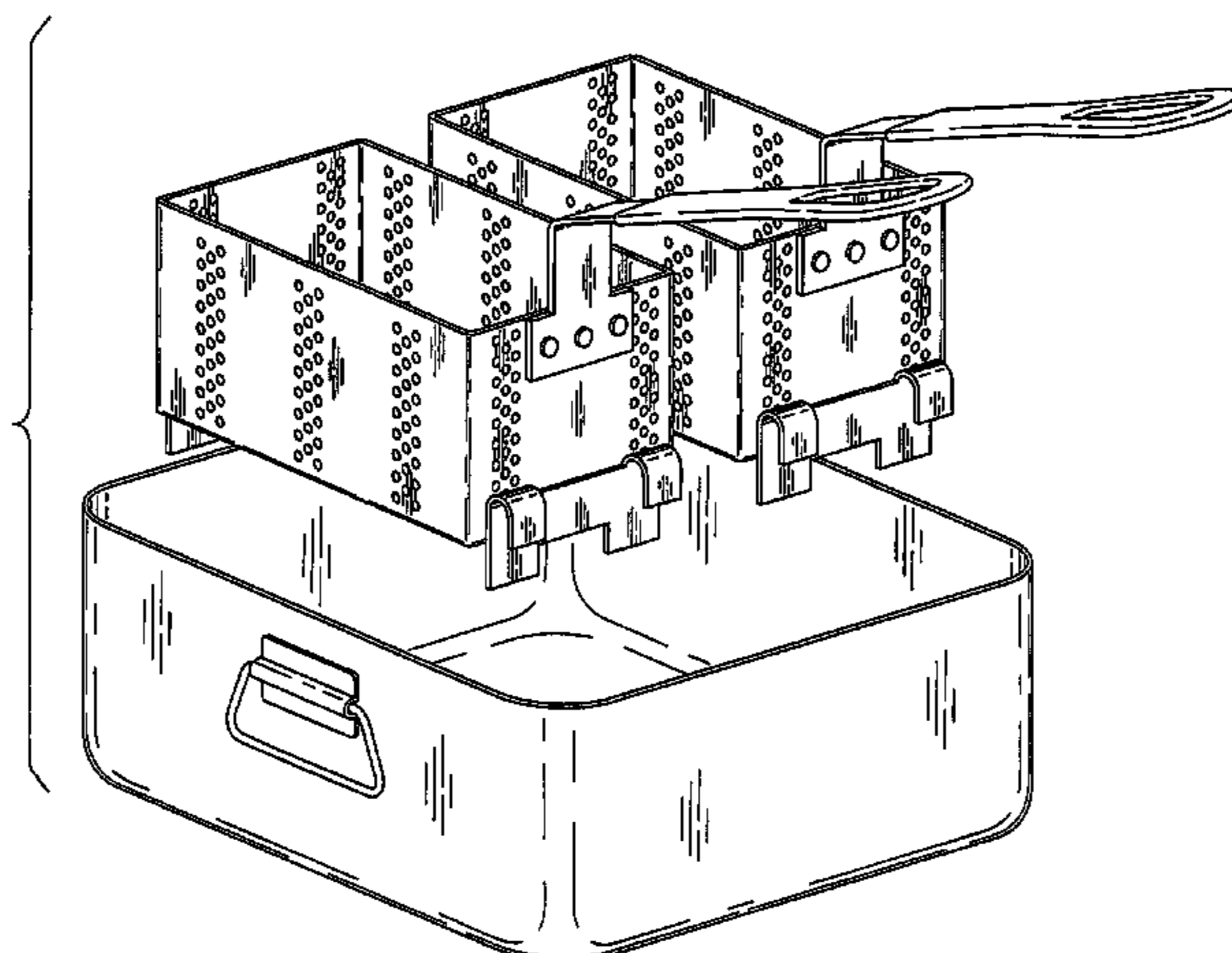
**U.S. PATENT DOCUMENTS**

2,593,392	A *	4/1952	Budlane et al.	99/331
3,071,064	A *	1/1963	Horvath	99/336
3,217,633	A *	11/1965	Anetsberger	99/327
3,242,849	A *	3/1966	Wells	99/411
3,331,309	A *	7/1967	Proffitt	99/411
3,525,299	A *	8/1970	Gouwens et al.	99/336
3,960,137	A *	6/1976	Schmid	126/387.1
D242,947	S *	1/1977	Graham	D7/354
4,542,685	A *	9/1985	Wilson	99/413
4,574,183	A *	3/1986	Knauss	219/438

(Continued)

FIG. 1 is an exploded perspective view of a rectangular stock pot multi-cooker showing my new design;  
 FIG. 2 is a perspective view of the assembled rectangular stock pot multi-cooker of my new design with the strainers inserted;  
 FIG. 3 is a right side elevational view of the assembled rectangular stock pot multi-cooker of my design with the strainers inserted, the left elevational view being a mirror image thereof;  
 FIG. 4 is a rear elevational view of the assembled rectangular stock pot multi-cooker of my design with the strainers inserted;  
 FIG. 5 is a front elevational view of the assembled rectangular stock pot multi-cooker of my design with the strainers inserted;  
 FIG. 6 is a top plan view of the assembled rectangular stock pot multi-cooker of my design with the strainers inserted;  
 FIG. 7 is a bottom plan view of the assembled rectangular stock pot multi-cooker of my design with the strainers inserted;  
 FIG. 8 is a back elevational view of the strainer of my design; shown separately for clarity and completeness of disclosure;  
 FIG. 9 is a front elevational view of the strainer of my design thereof;  
 FIG. 10 is a right side elevational view of the strainer of my design thereof, the left side elevational view being a mirror image;  
 FIG. 11 is a top plan view of the strainer of my design thereof;  
 FIG. 12 is a bottom plan view of the strainer of my design thereof; and,  
 FIG. 13 is a plan view of two assembled rectangular stock pot multi-cooker side by side with the strainers inserted.

**1 Claim, 10 Drawing Sheets**



(56)

**References Cited**

U.S. PATENT DOCUMENTS

4,704,290	A *	11/1987	Fritzsche	.....	426/438	5,746,117	A *	5/1998	Chang	.....	99/407
4,854,227	A *	8/1989	Koopman	.....	99/416	5,811,740	A *	9/1998	Hamilton, Sr.	.....	177/144
5,033,369	A *	7/1991	Wu	.....	99/408	5,992,306	A *	11/1999	Chiang	.....	99/411
5,146,843	A *	9/1992	Fuller et al.	.....	99/483	7,100,497	B2 *	9/2006	Shandross	.....	99/330
5,385,084	A *	1/1995	Laibson	.....	99/411	7,341,162	B2 *	3/2008	Svabek et al.	.....	220/485
5,544,567	A *	8/1996	Davis et al.	.....	99/336	7,500,427	B2 *	3/2009	Rosenzweig	.....	99/407
						7,938,285	B2 *	5/2011	Raichlen et al.	.....	220/23.88
						8,065,954	B2 *	11/2011	Foster et al.	.....	99/336
						8,133,520	B2 *	3/2012	Feinberg et al.	.....	426/438

\* cited by examiner

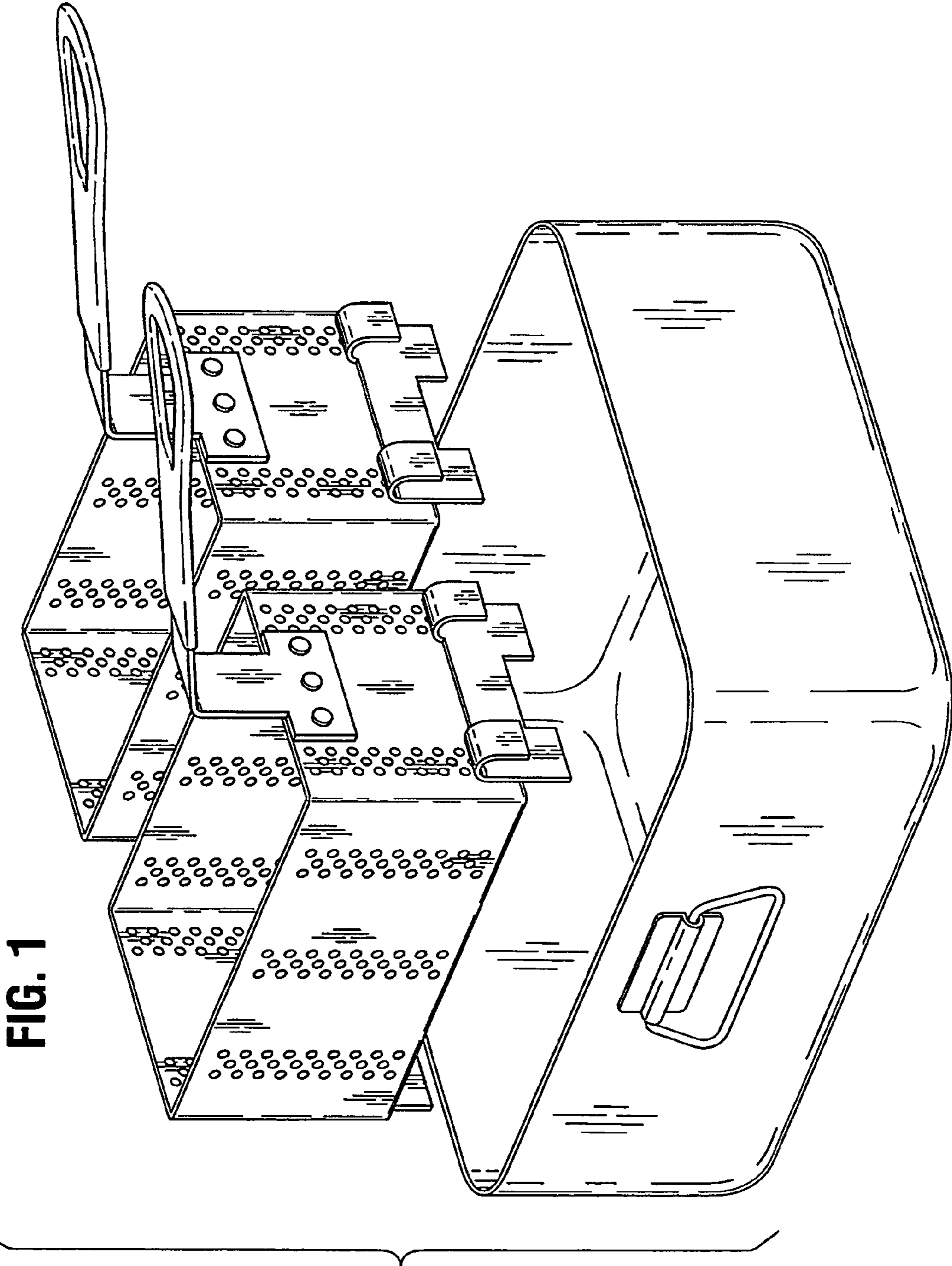
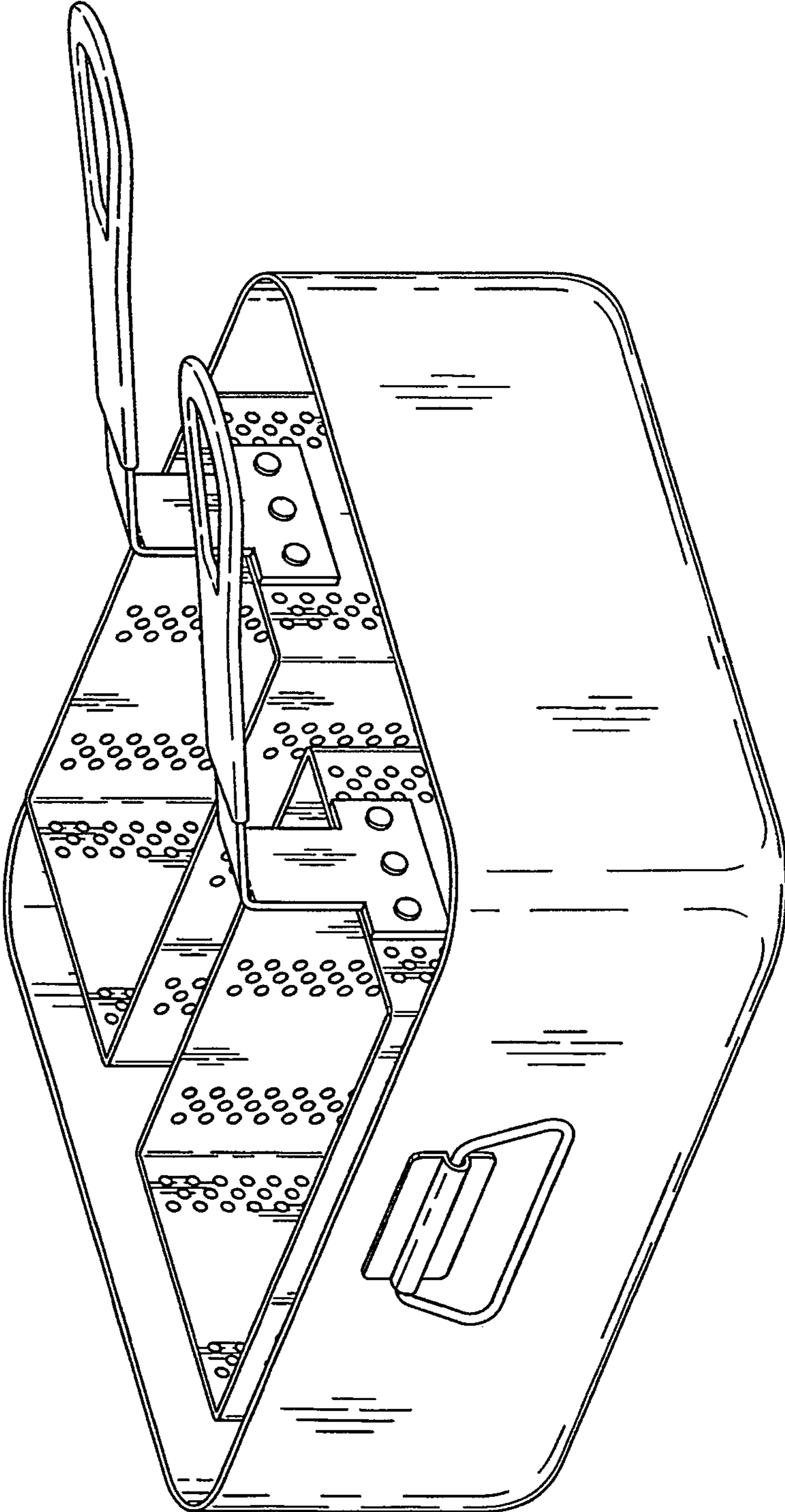


FIG. 1

FIG. 2



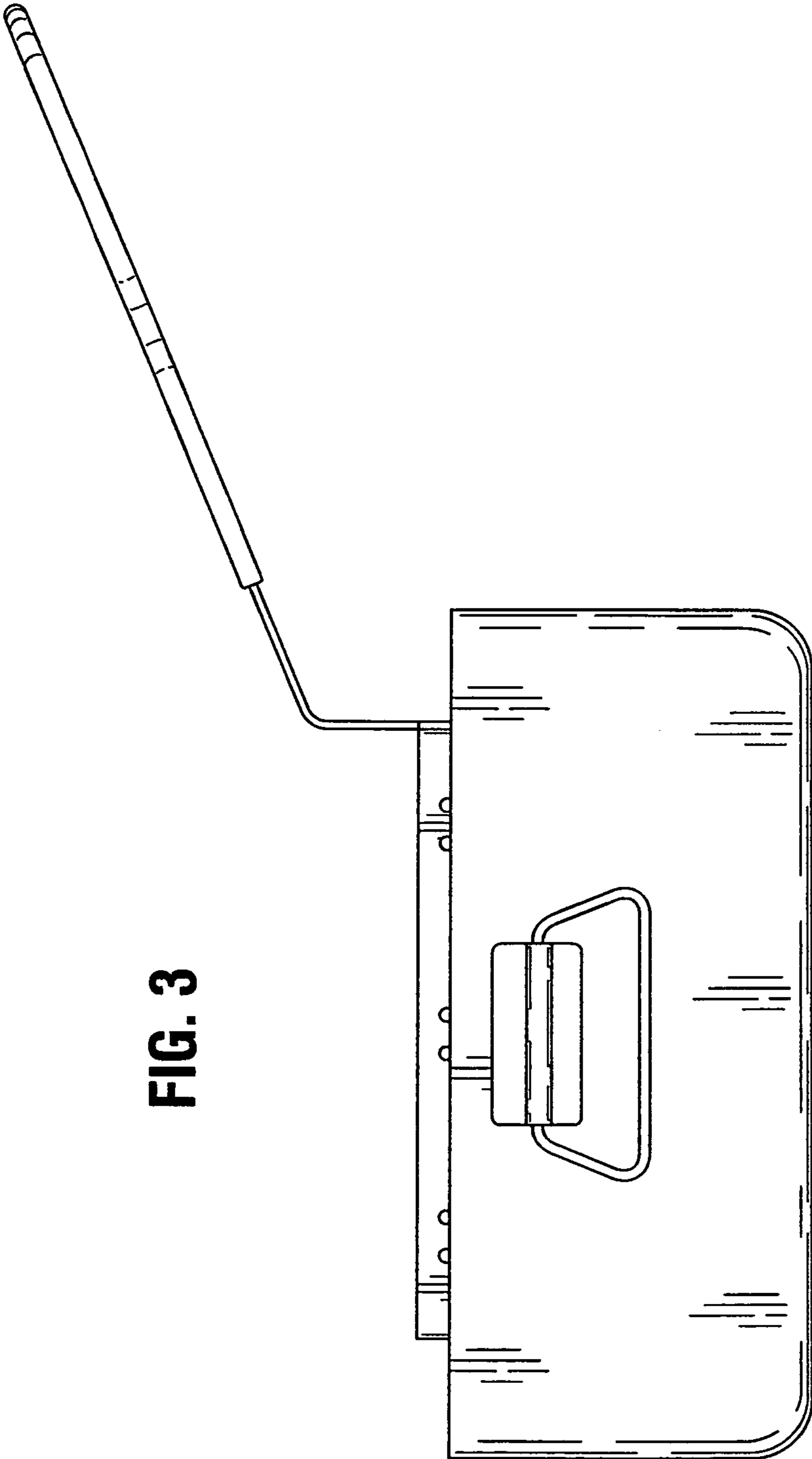
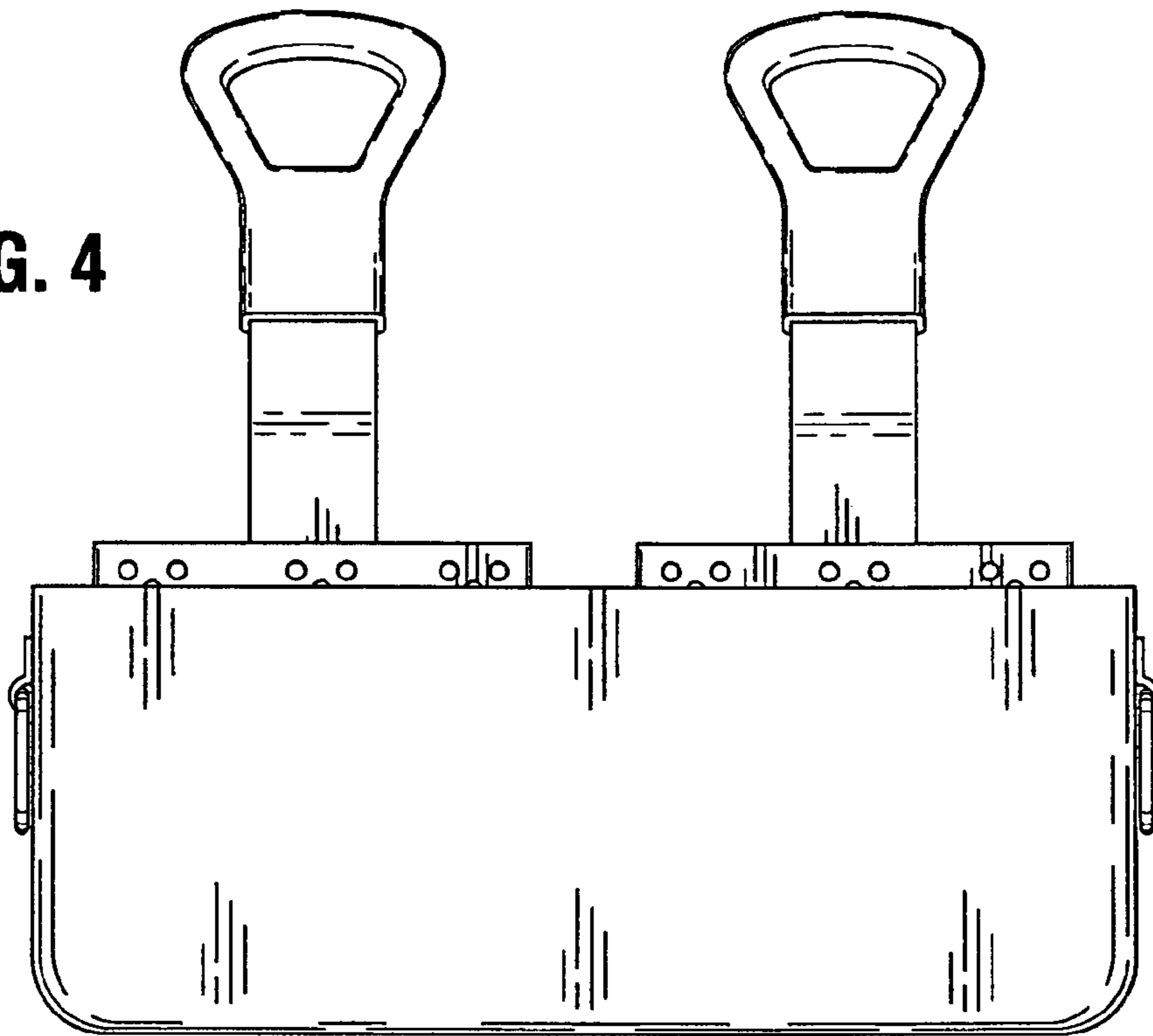


FIG. 3

**FIG. 4**



**FIG. 5**

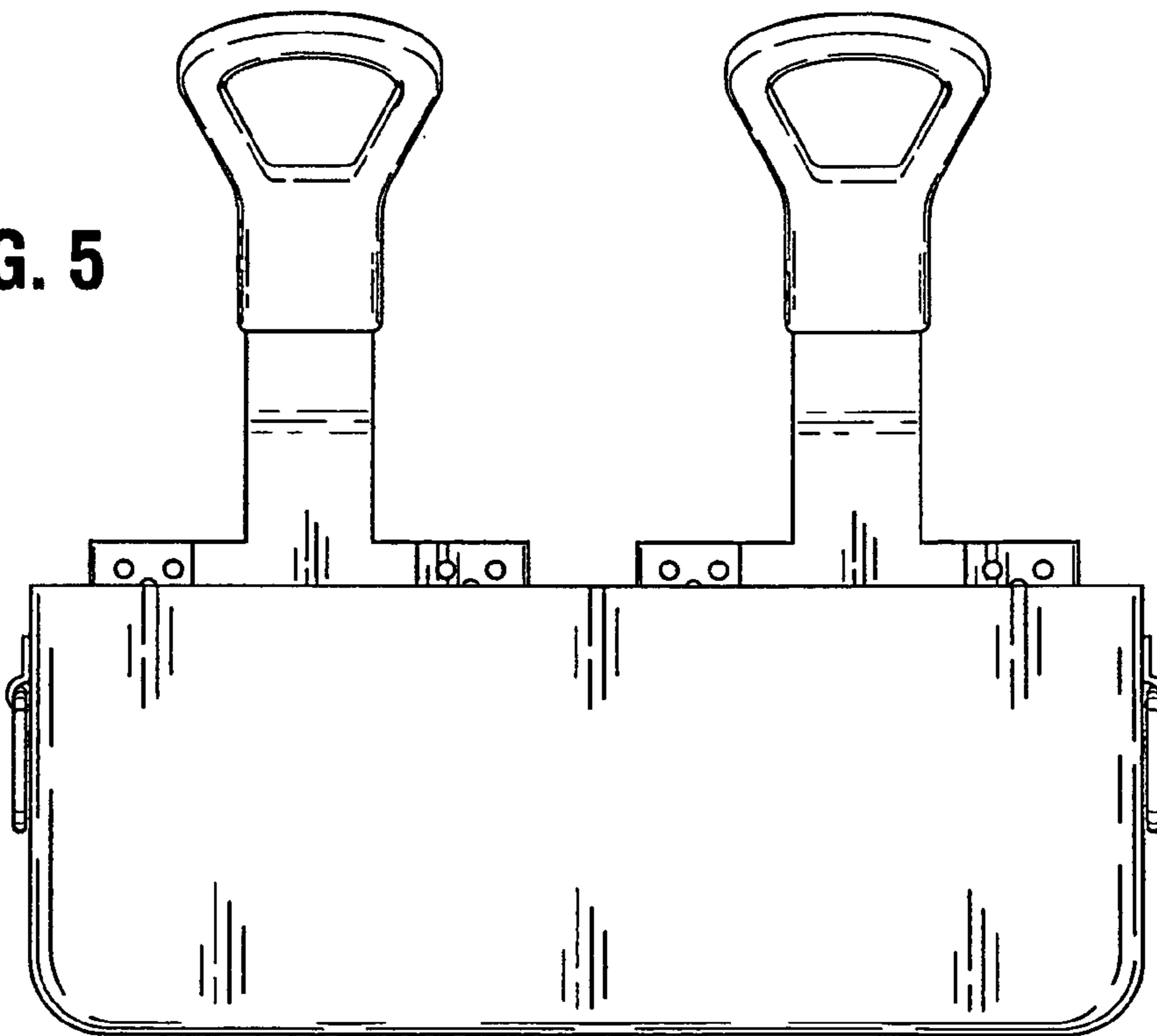
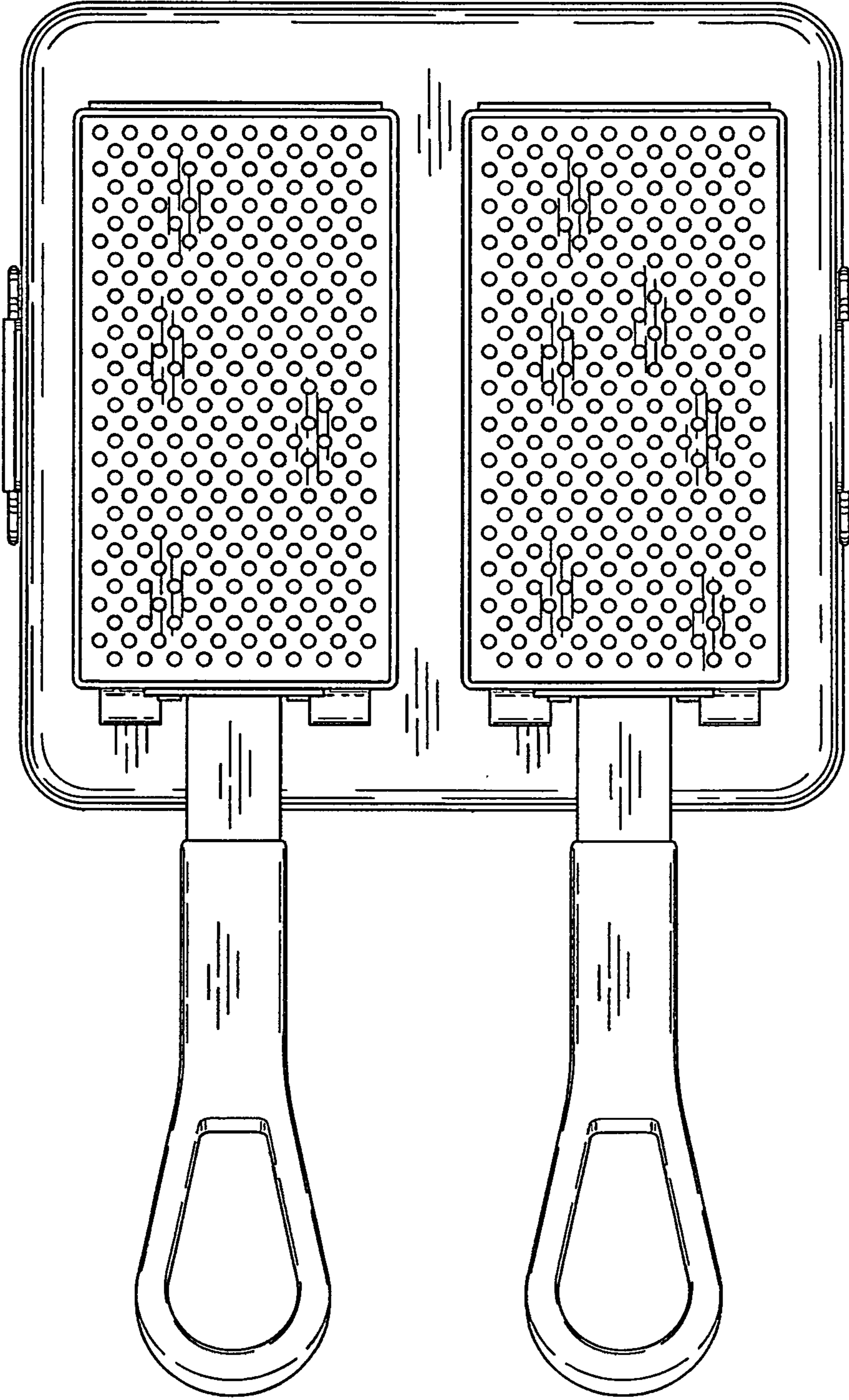
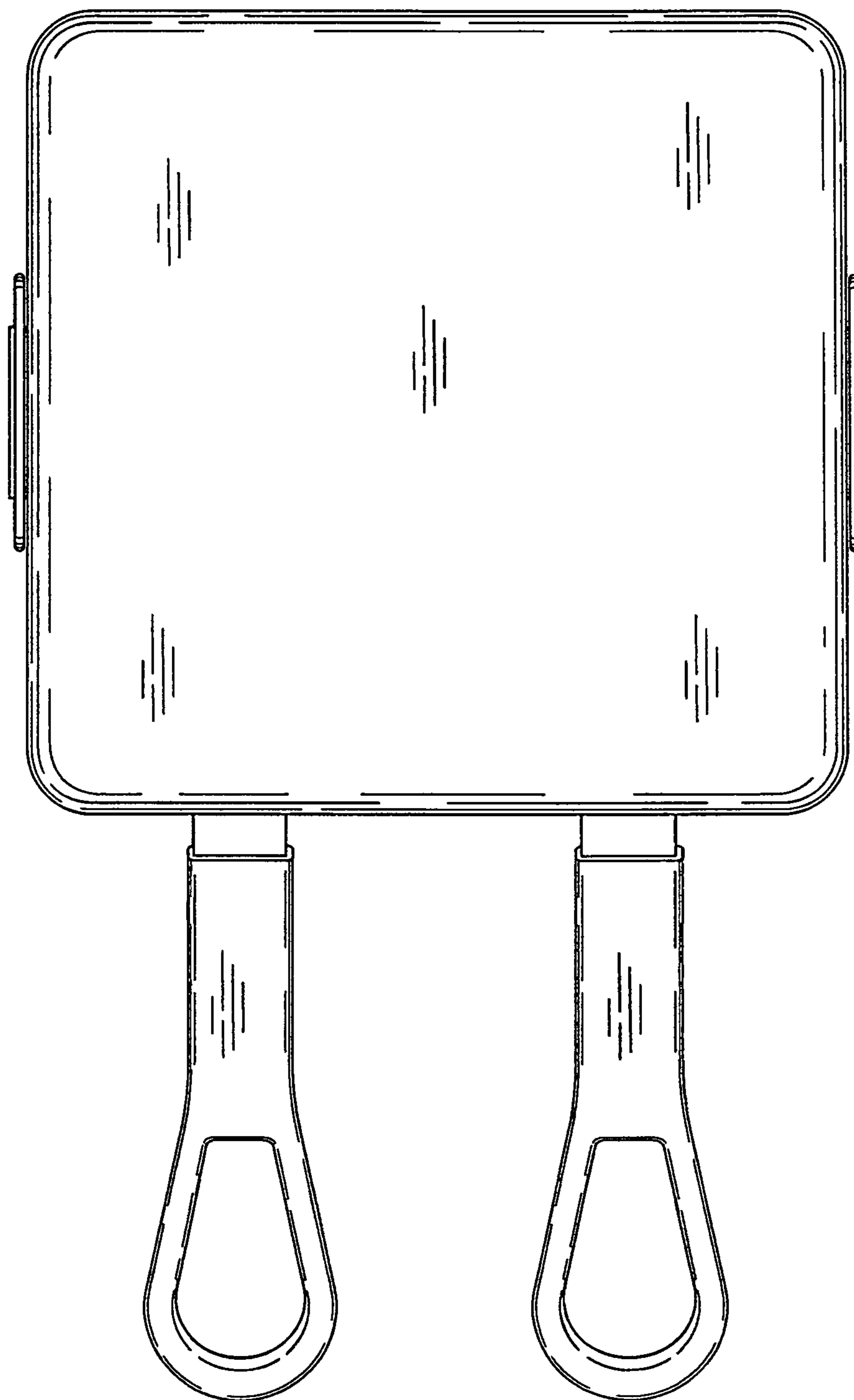


FIG. 6

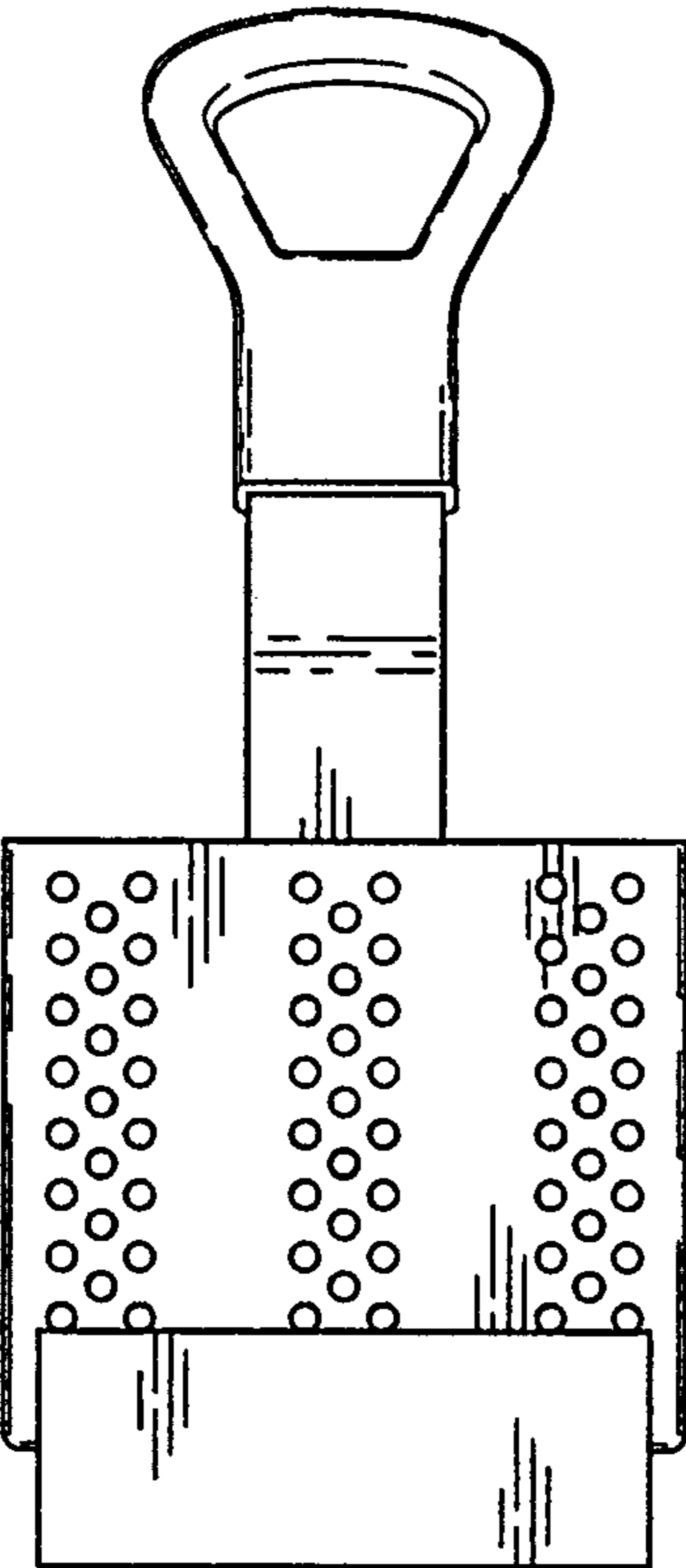


**FIG. 7**

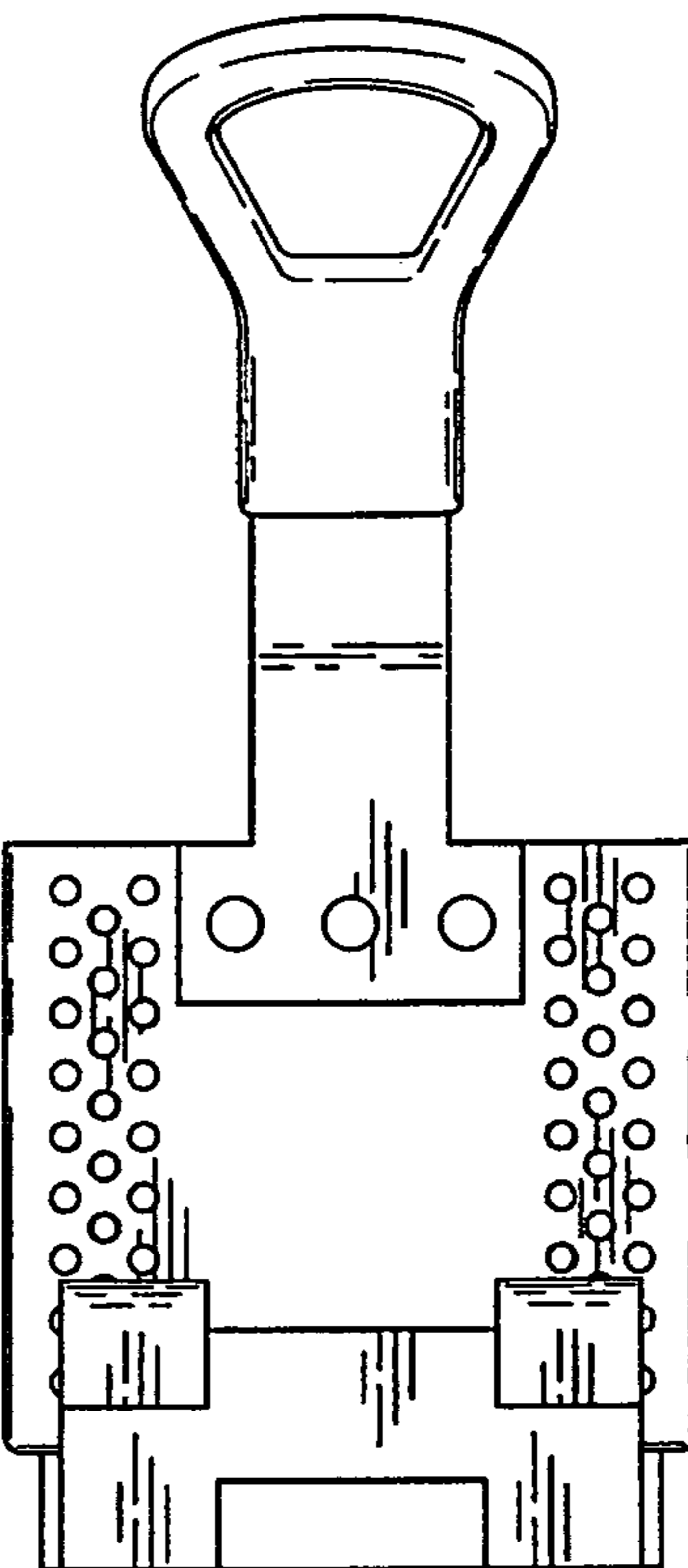




**FIG. 8**



**FIG. 9**



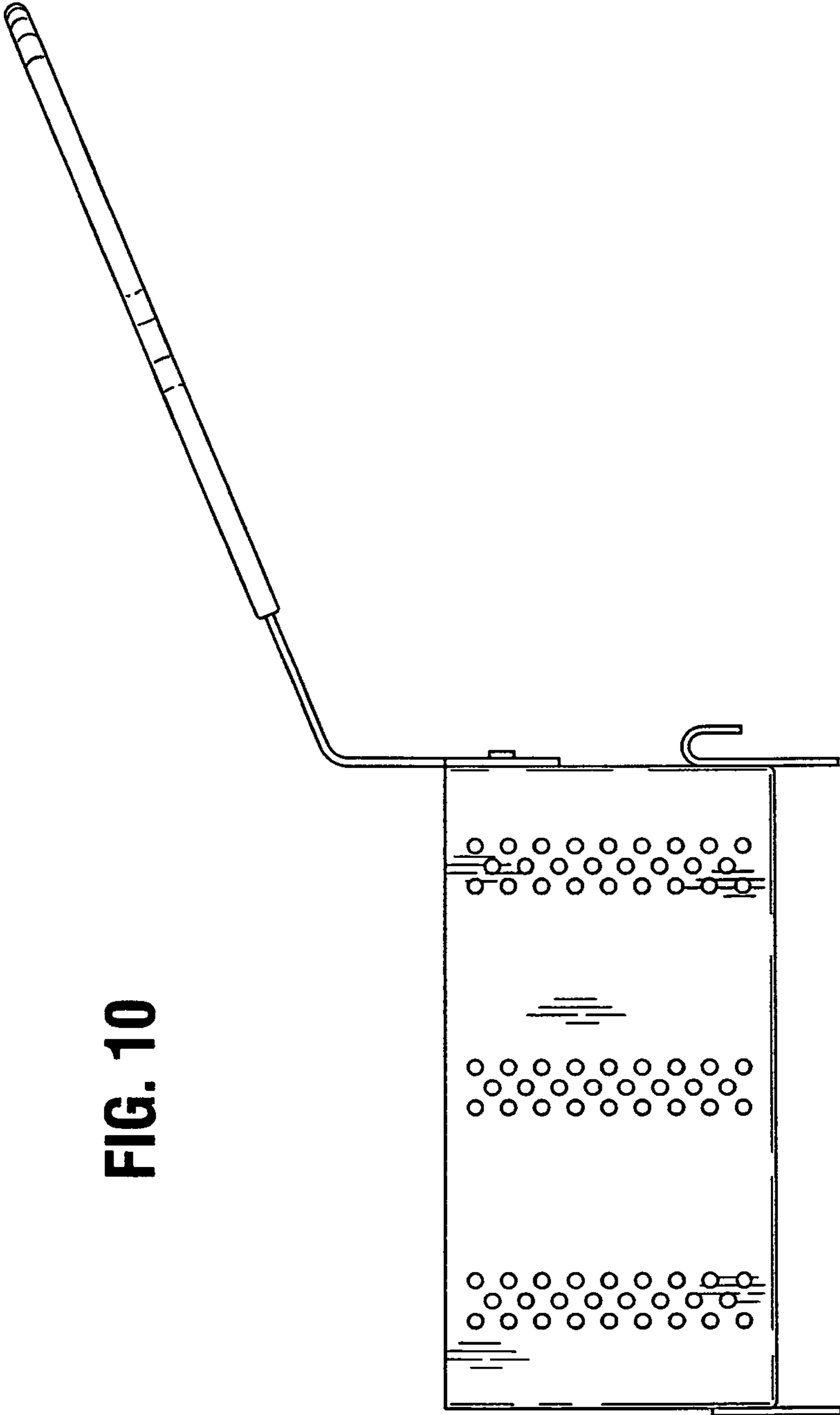
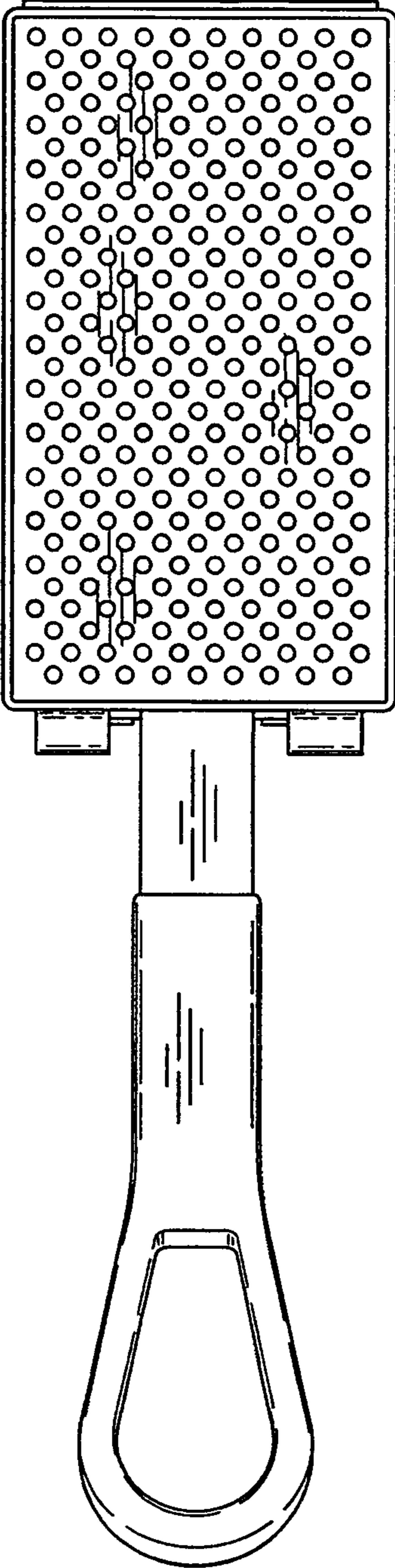


FIG. 10

**FIG. 11**



**FIG. 12**

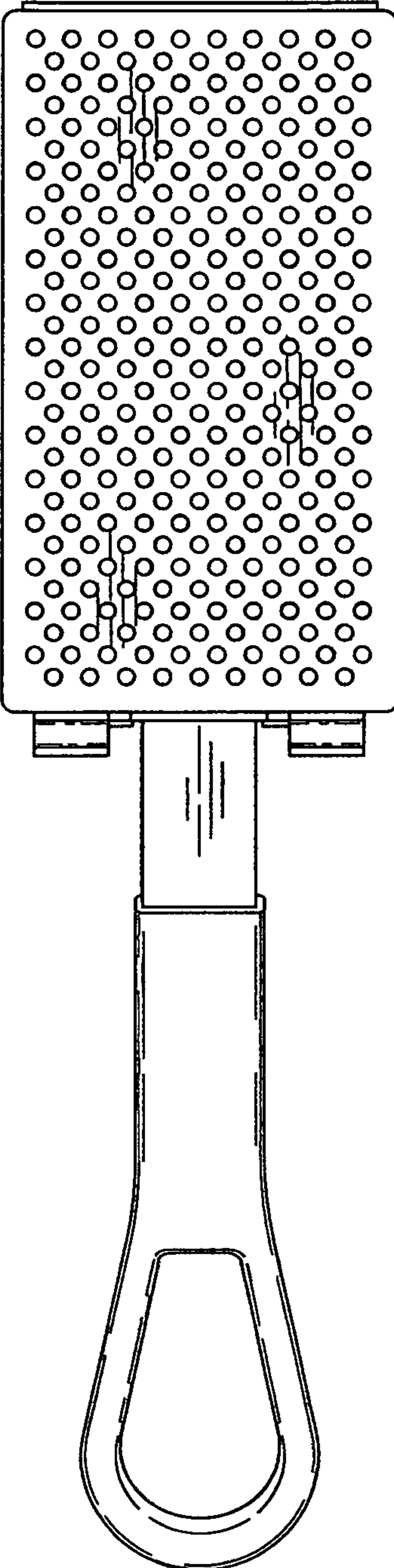


FIG. 13

