



US00D694056S

(12) **United States Design Patent**
Dahle

(10) **Patent No.:** **US D694,056 S**

(45) **Date of Patent:** **** Nov. 26, 2013**

(54) **MULTIPURPOSE COOKING GRIDDLE**

(75) Inventor: **Roger Dahle**, Providence, UT (US)

(73) Assignee: **North Atlantic Imports, LLC**, Logan, UT (US)

(**) Term: **14 Years**

(21) Appl. No.: **29/415,849**

(22) Filed: **Mar. 14, 2012**

(51) **LOC (9) Cl.** **07-02**

(52) **U.S. Cl.**
USPC **D7/334**

(58) **Field of Classification Search**
USPC D7/332, 334–337, 402–404, 406, 409;
126/25 R, 41 R, 38, 9 R, 9 A, 9 B, 40, 50,
126/37 R, 304 R, 305; 99/450, 481, 482;
248/163.1, 440.1, 188.1, 127;
108/157.13

See application file for complete search history.

(56) **References Cited**

U.S. PATENT DOCUMENTS

D142,866 S *	11/1945	Johannsen	D7/334
D285,522 S *	9/1986	Basini	D7/334
D298,793 S *	12/1988	Ragon	D7/332
D380,933 S *	7/1997	Schlosser et al.	D7/334
5,979,431 A *	11/1999	Hamilton et al.	126/41 R
D417,359 S *	12/1999	Dutro et al.	D7/332

D449,491 S *	10/2001	Measom	D7/334
6,302,097 B1 *	10/2001	Rivera	126/38
D450,524 S *	11/2001	Measom	D7/332
D468,149 S *	1/2003	Surles	D7/334
6,655,374 B1 *	12/2003	Beller et al.	126/41 R
D496,820 S *	10/2004	Wilder	D7/334
D560,420 S *	1/2008	Roth	D7/334
D570,641 S *	6/2008	Brunner	D7/334
D625,544 S *	10/2010	Radicke	D7/334
D656,773 S *	4/2012	May	D7/334
D657,183 S *	4/2012	May	D7/334

* cited by examiner

Primary Examiner — Ruth McInroy

(74) *Attorney, Agent, or Firm* — David L. Scott

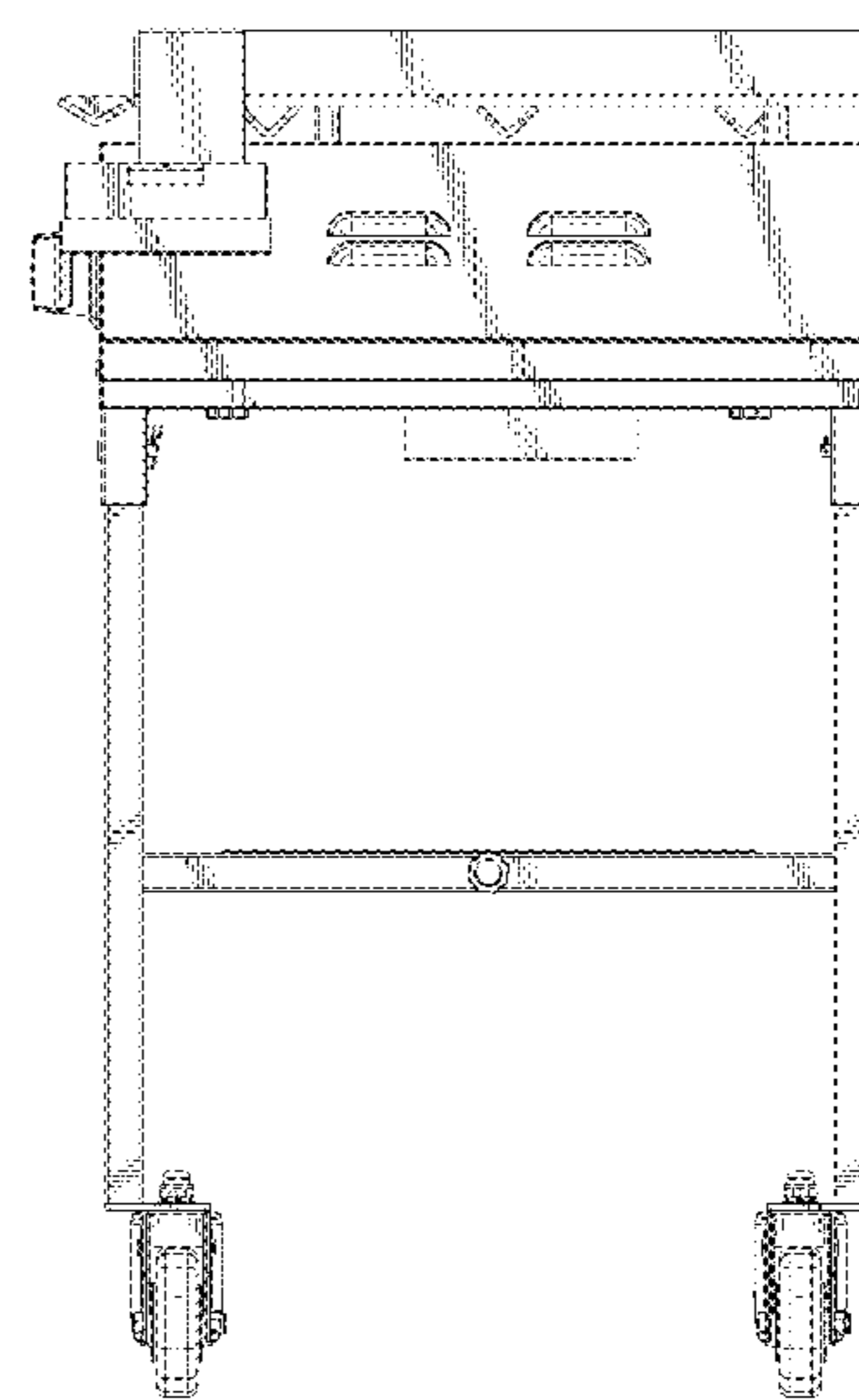
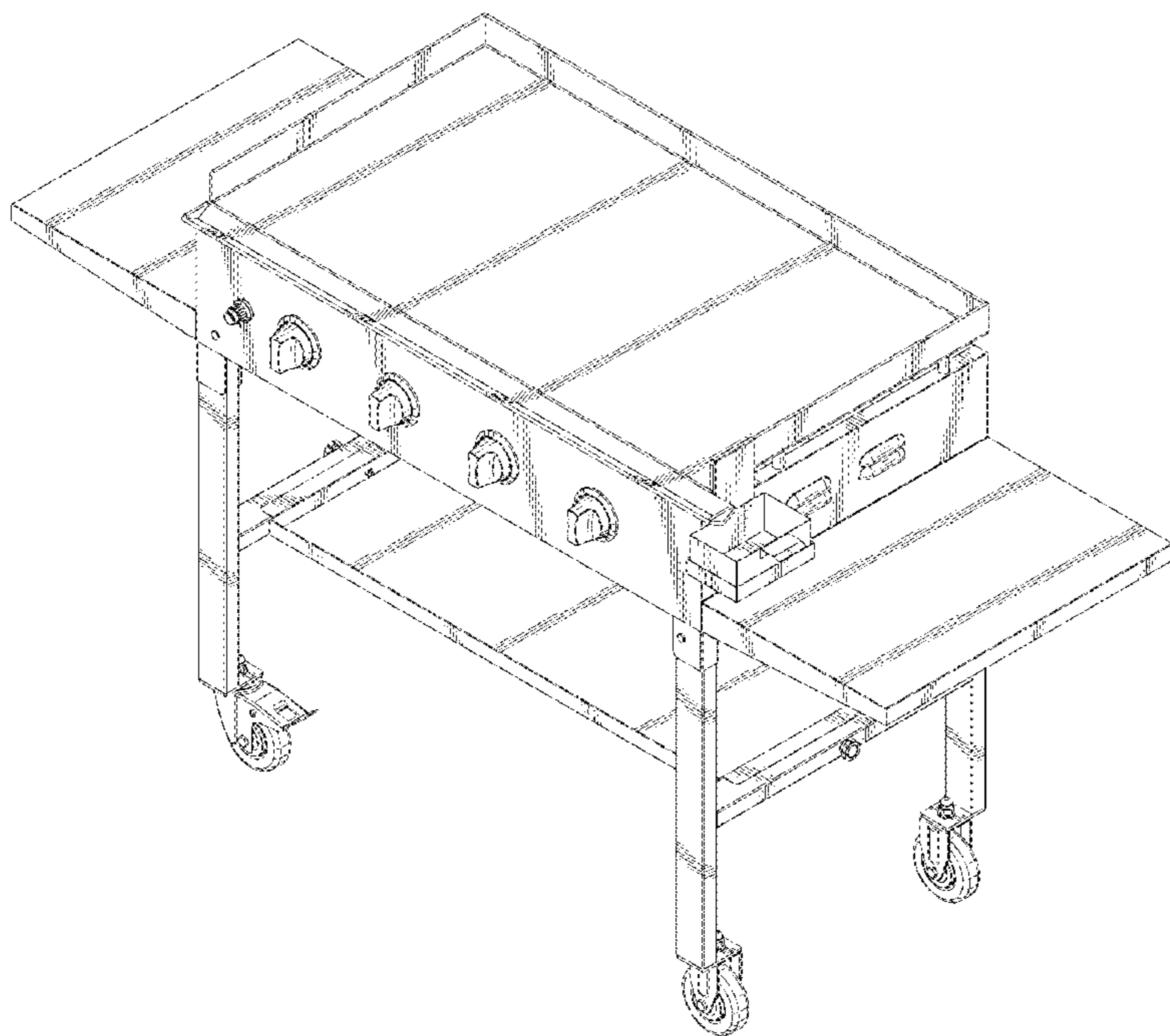
(57) **CLAIM**

The ornamental design for a multipurpose cooking griddle, as shown and described.

DESCRIPTION

FIG. 1 is a front perspective view of a multipurpose cooking griddle showing my new design;
FIG. 2 is a bottom perspective view thereof;
FIG. 3 is a front view thereof;
FIG. 4 is a rear view thereof;
FIG. 5 is a left side view thereof;
FIG. 6 is a right side view thereof;
FIG. 7 is a top view thereof; and,
FIG. 8 is a bottom view thereof.

1 Claim, 7 Drawing Sheets



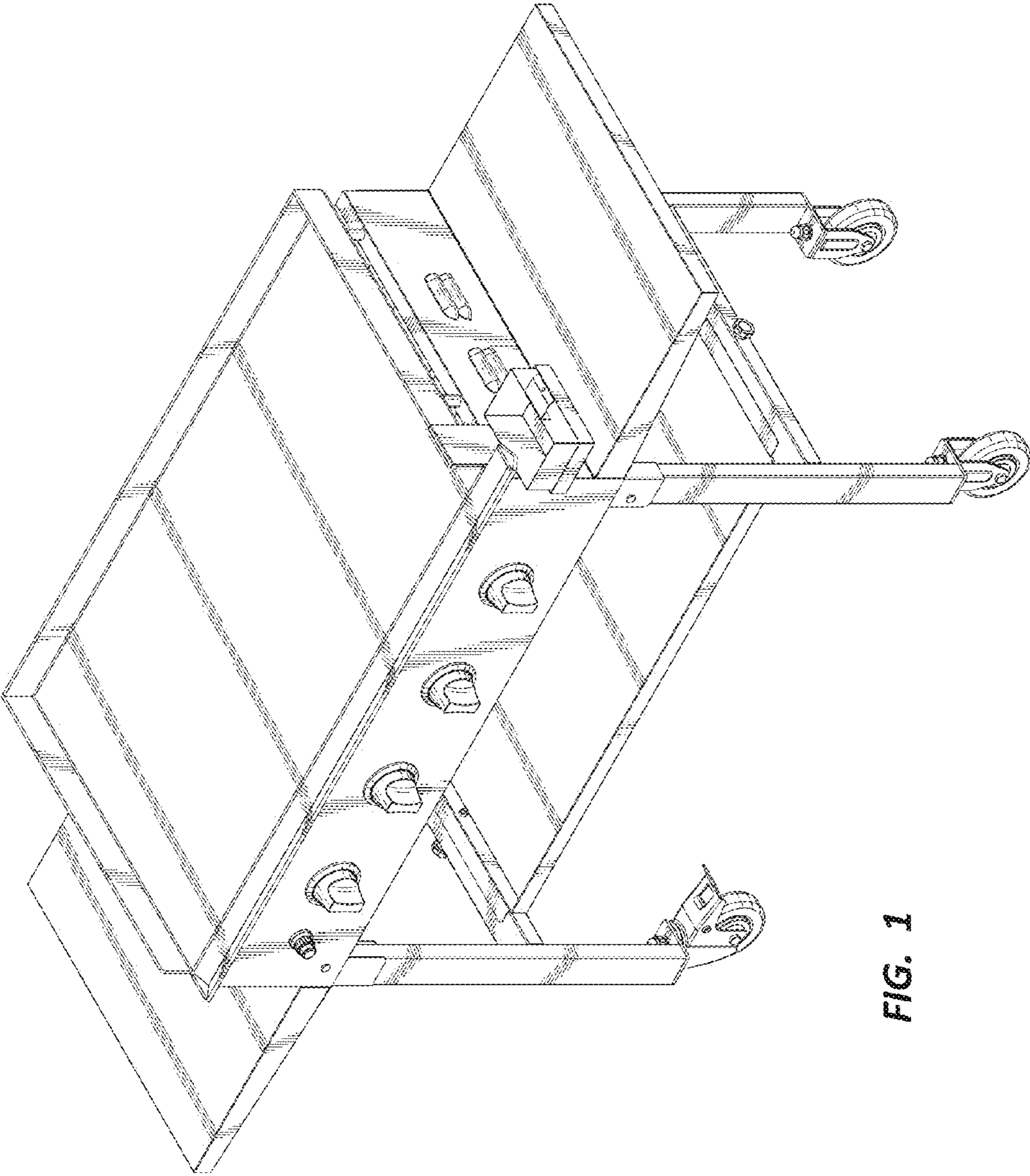


FIG. 1

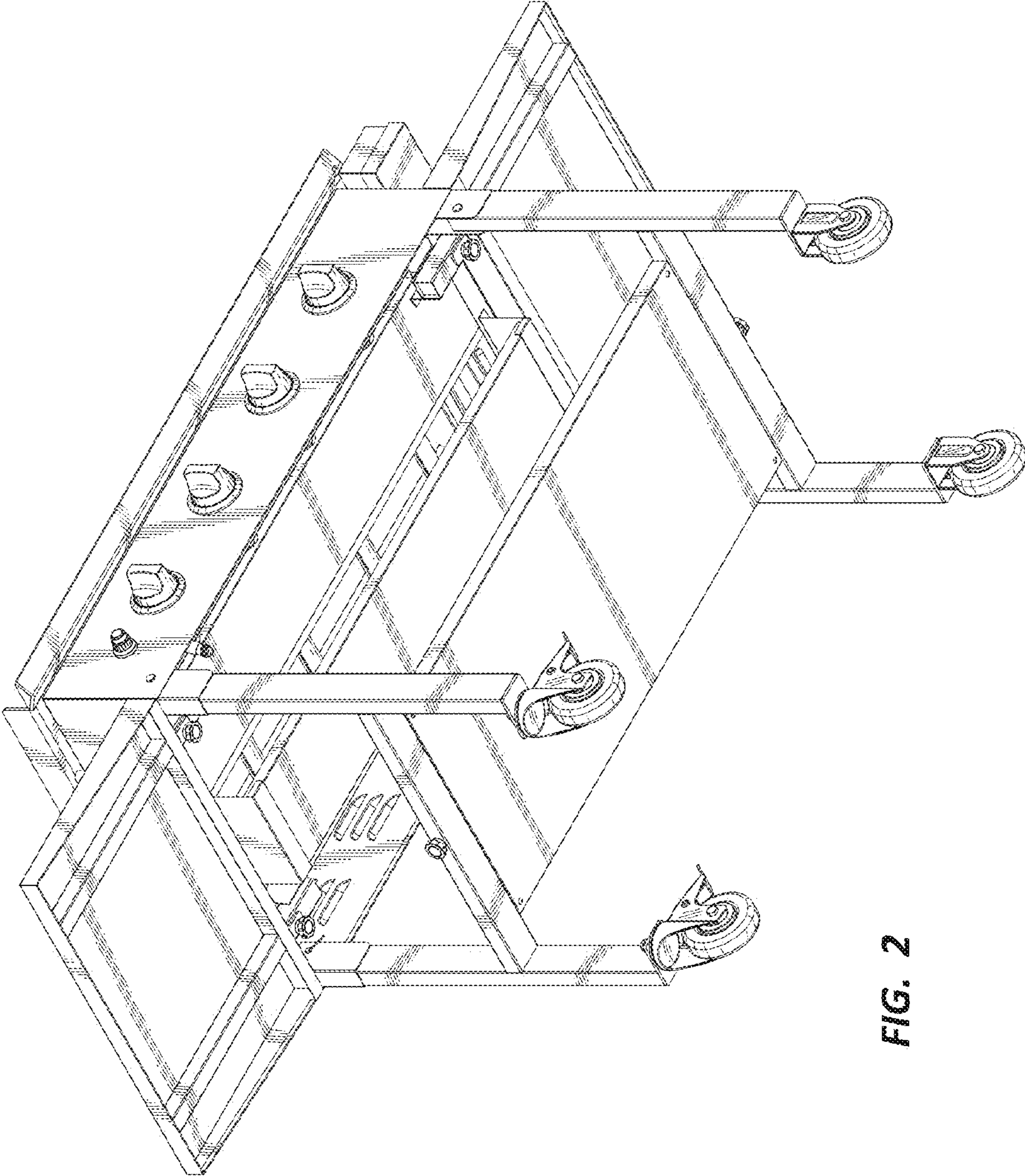


FIG. 2

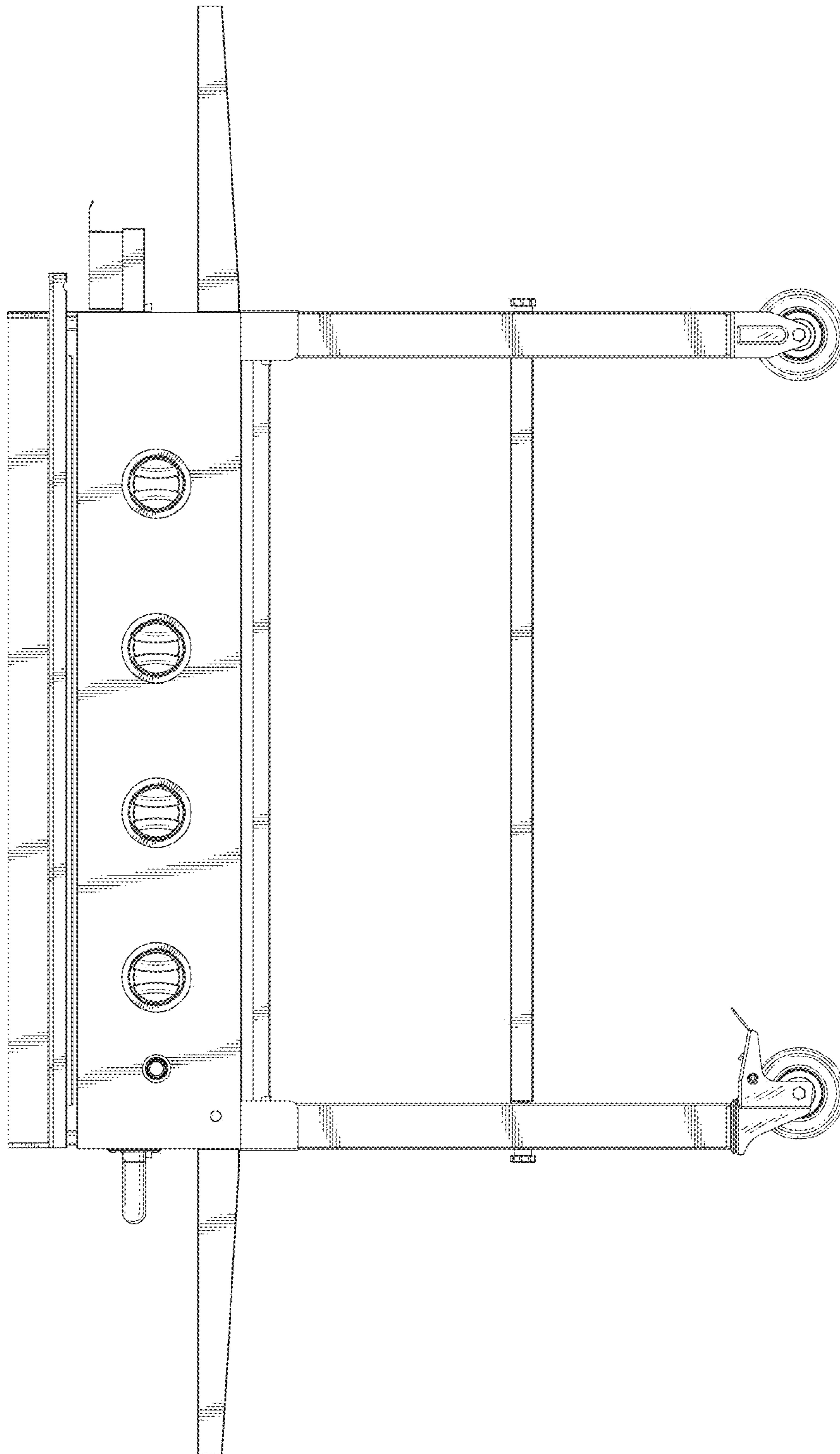


FIG. 3

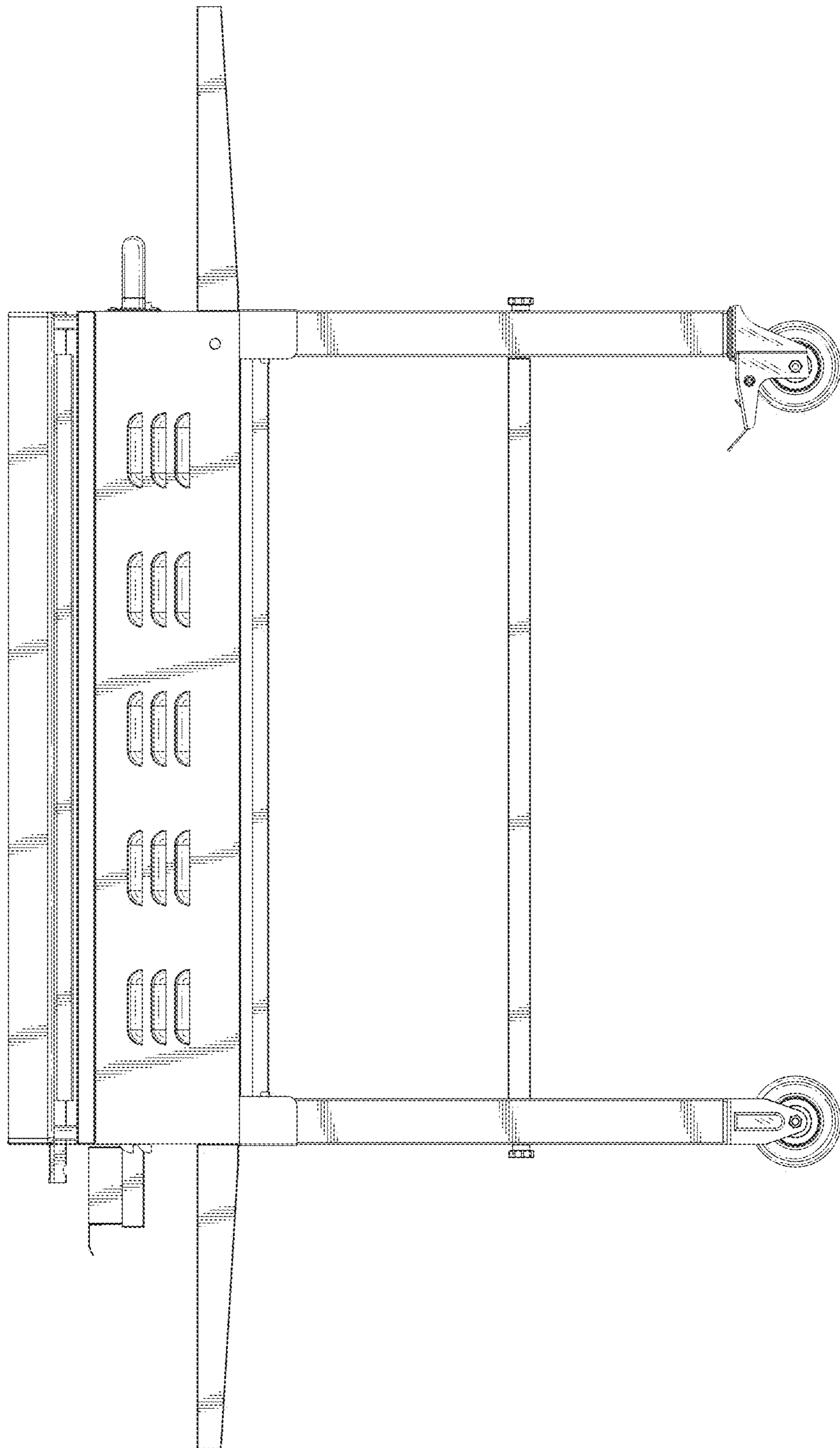


FIG. 4

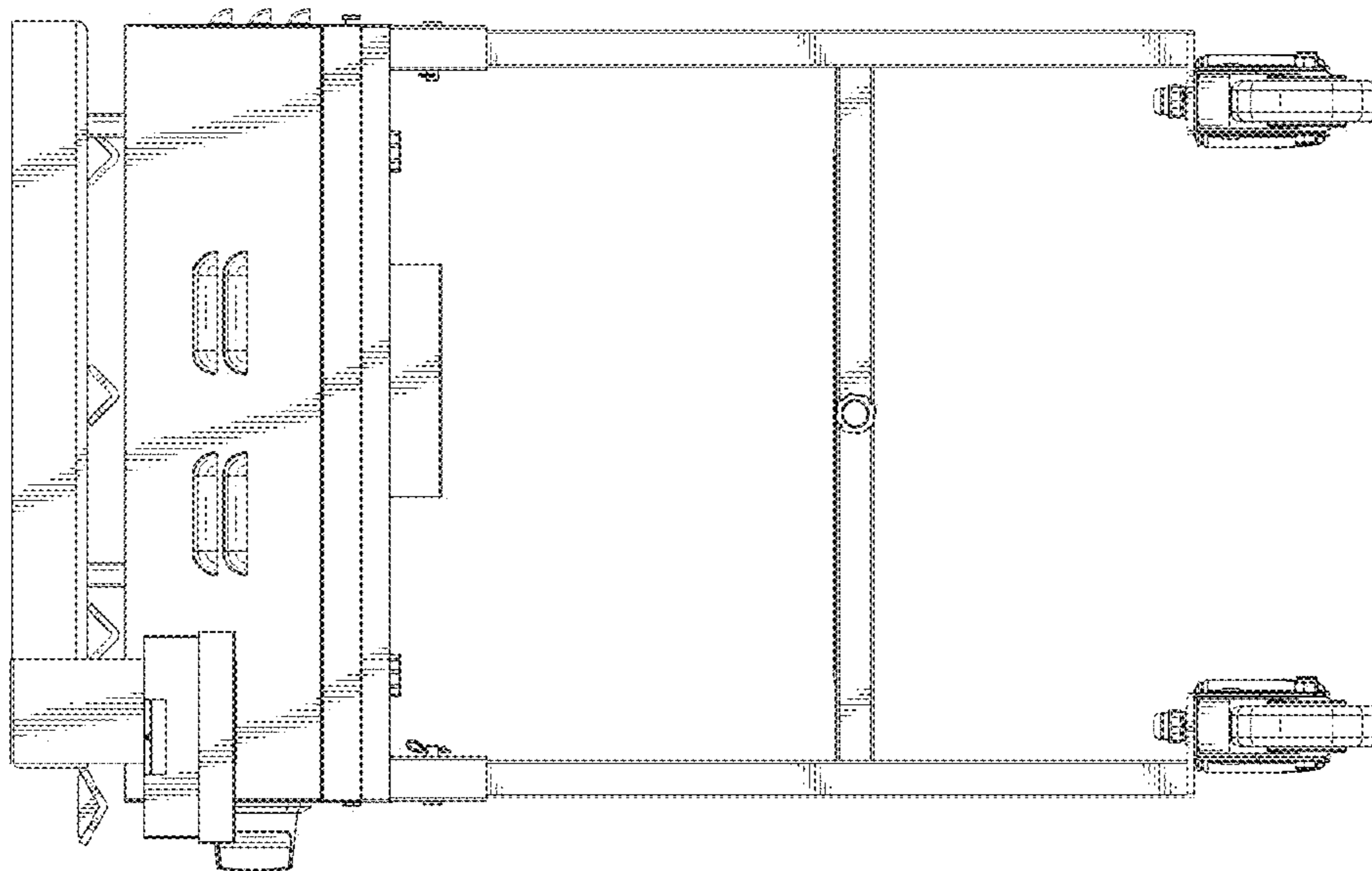


FIG. 6

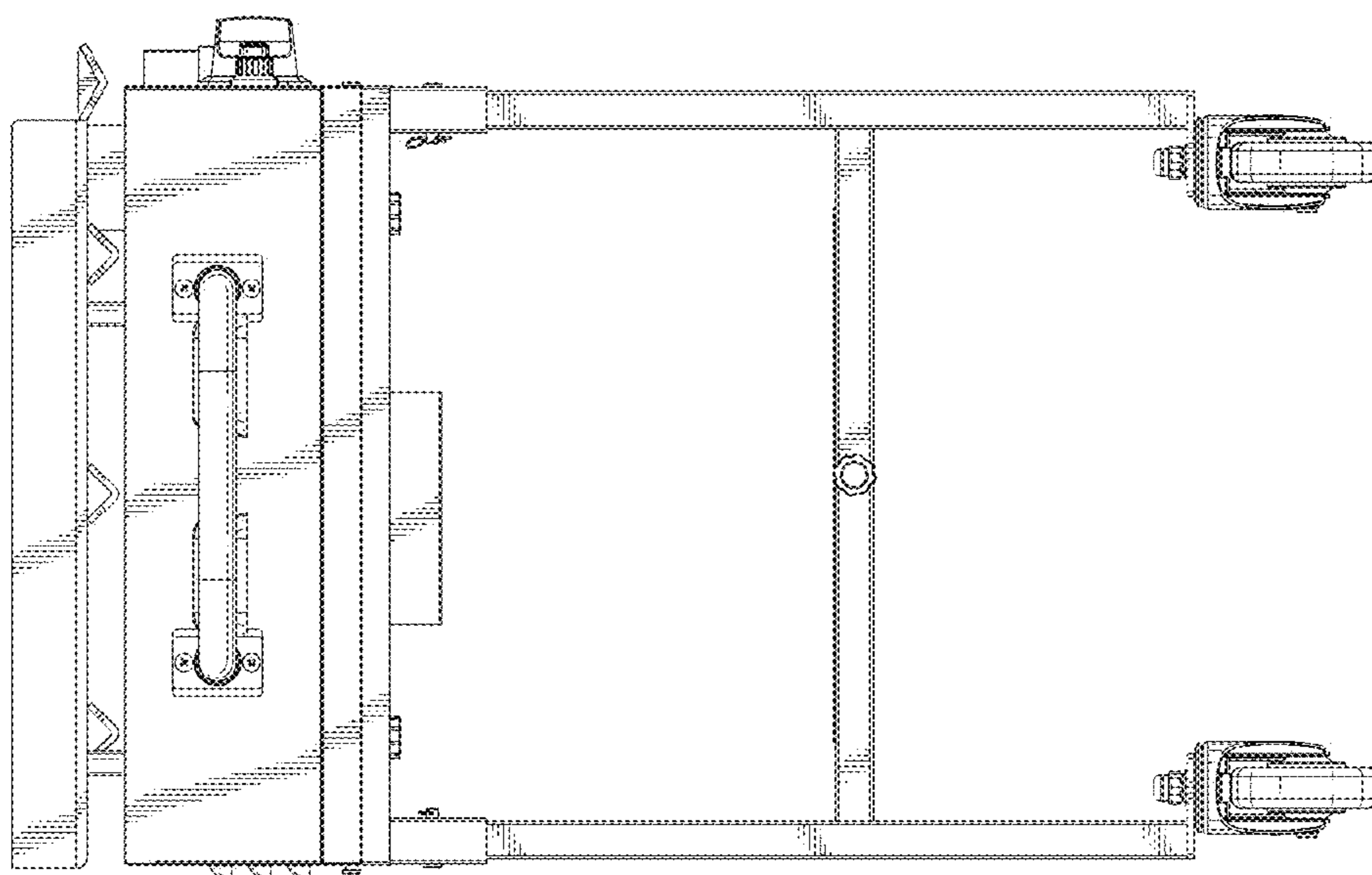


FIG. 5

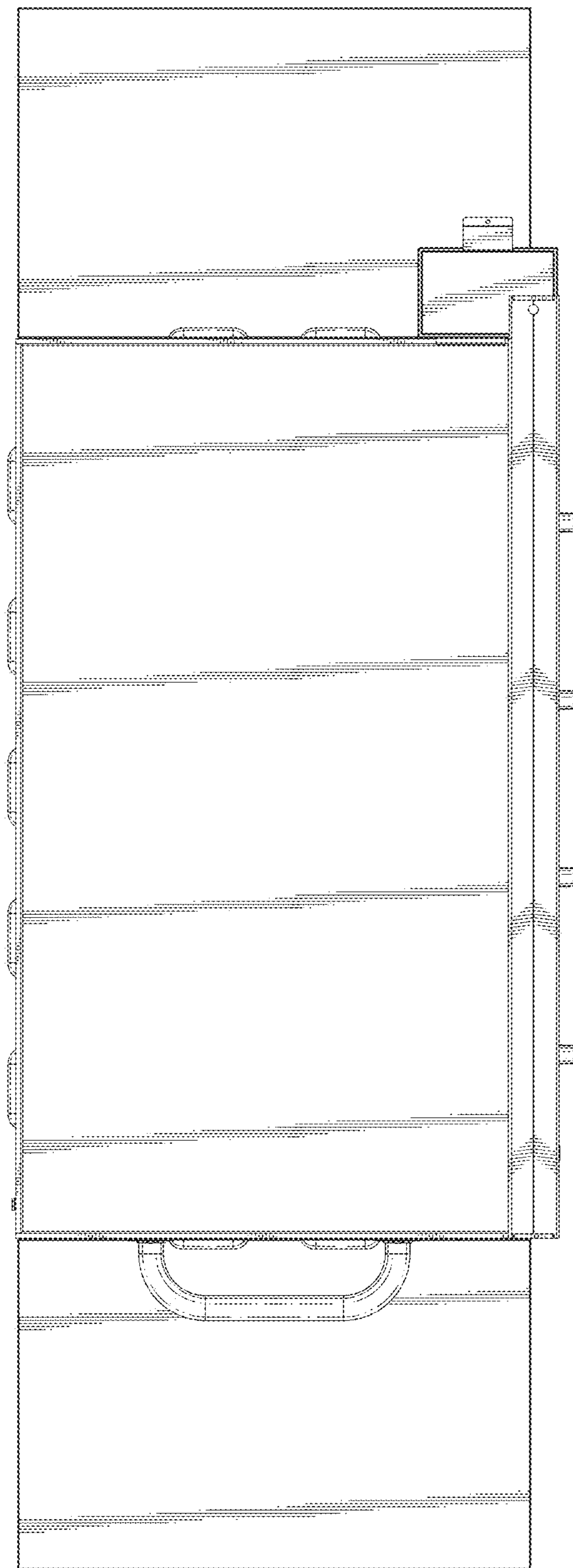


FIG. 7

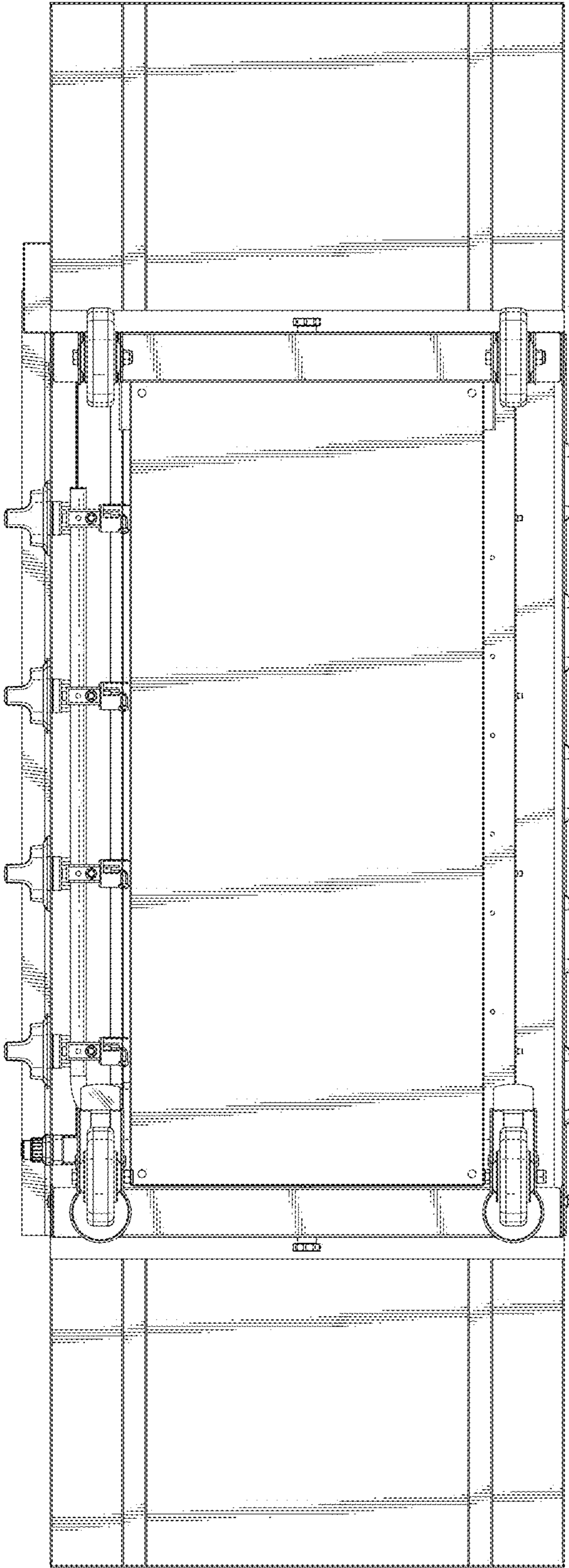


FIG. 8