



US00D694055S

(12) **United States Design Patent**
Hirst

(10) **Patent No.:** **US D694,055 S**

(45) **Date of Patent:** **** Nov. 26, 2013**

(54) **DRAUGHT BEER DISPENSER**

(75) Inventor: **Neil Hirst**, Letchworth Garden (GB)

(73) Assignee: **Diego Ireland**, Dublin (IE)

(**) Term: **14 Years**

(21) Appl. No.: **29/425,349**

(22) Filed: **Jun. 21, 2012**

(30) **Foreign Application Priority Data**

Dec. 23, 2011 (EM) 001967985

(51) **LOC (9) Cl.** **07-01**

(52) **U.S. Cl.**
USPC **D7/306; D7/313**

(58) **Field of Classification Search**
USPC D7/309-311, 300, 305, 306, 313;
99/279, 284, 290, 275, 295, 293;
222/146.6, 482

See application file for complete search history.

(56) **References Cited**

U.S. PATENT DOCUMENTS

3,091,366 A * 5/1963 Hutsell 222/36
3,252,633 A * 5/1966 Clarke 222/482
D300,106 S * 3/1989 Paulin D7/309
5,619,905 A * 4/1997 Wu 99/323.3

D464,226 S * 10/2002 Lassota et al. D7/306
D563,142 S * 3/2008 Kauer D7/306
D640,891 S * 7/2011 Smith D7/307
D644,471 S * 9/2011 Fiori D7/306
D668,903 S * 10/2012 Walton et al. D7/306
D677,102 S * 3/2013 Walton et al. D7/306

* cited by examiner

Primary Examiner — Marianne Pandozzi

(74) *Attorney, Agent, or Firm* — Morgan, Lewis & Bockius LLP

(57) **CLAIM**

The ornamental design for a draught beer dispenser, as shown.

DESCRIPTION

FIG. 1 is a side perspective view of the draught beer dispenser, according to the new design.

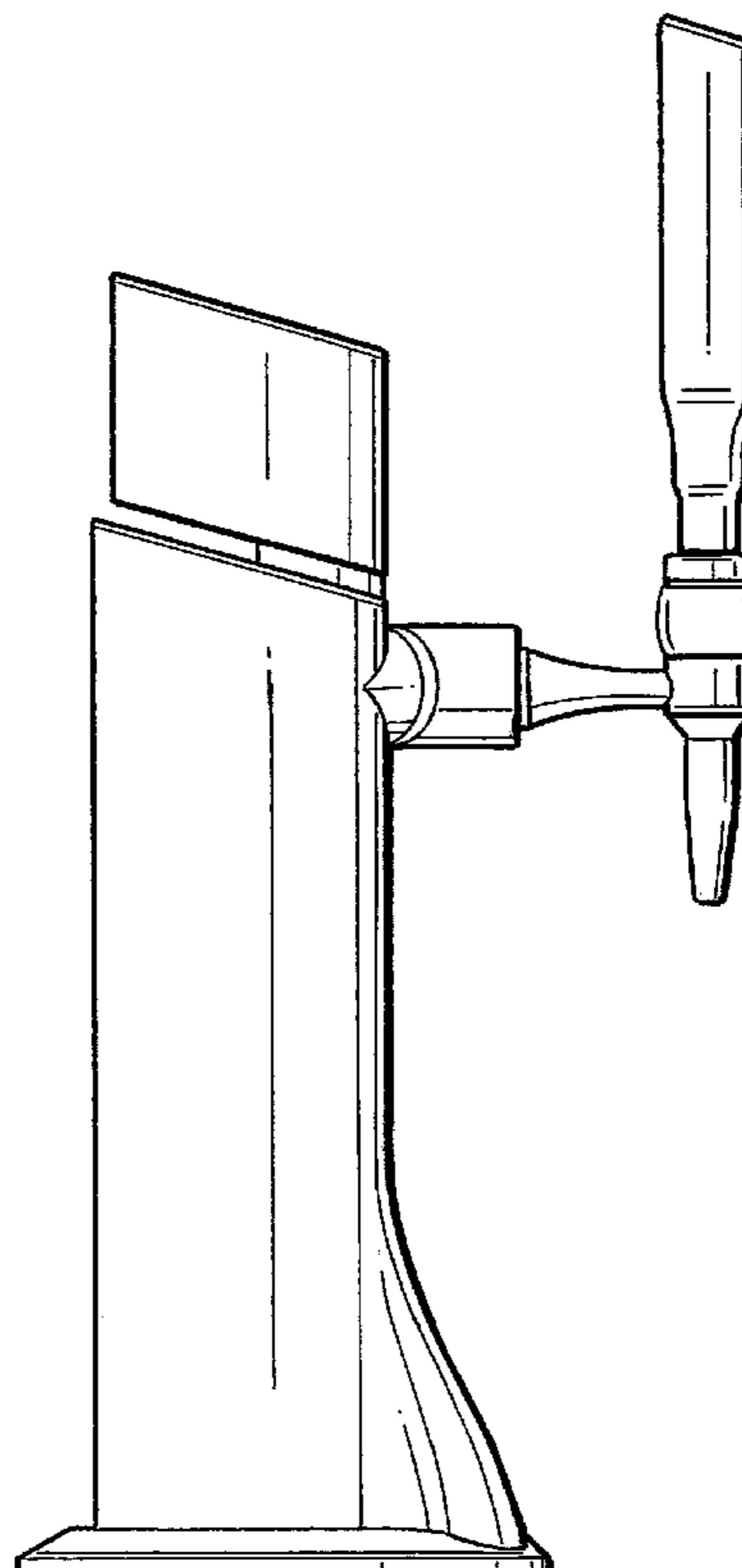
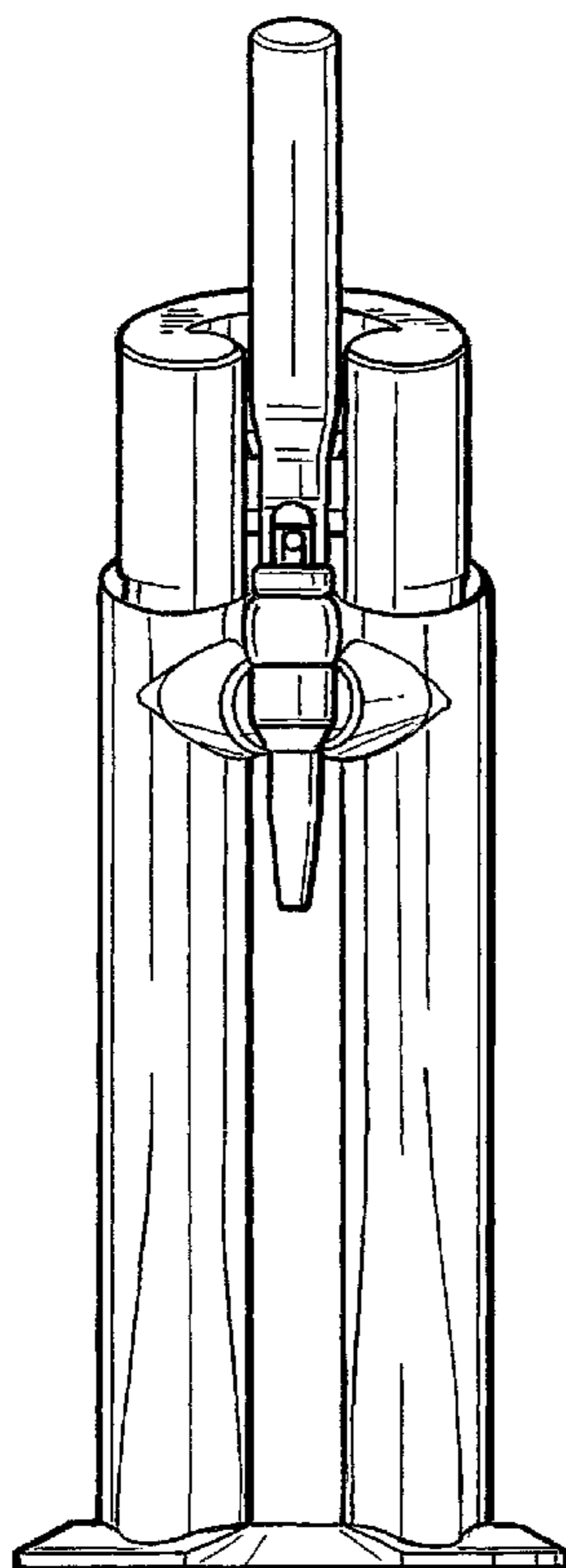
FIG. 2 is a back view of the draught beer dispenser, according to the new design.

FIG. 3 is a front view of the draught beer dispenser, according to the new design.

FIG. 4 is a side view of the draught beer dispenser, according to the new design; and,

FIG. 5 is a top view of the draught beer dispenser, according to the new design.

1 Claim, 5 Drawing Sheets



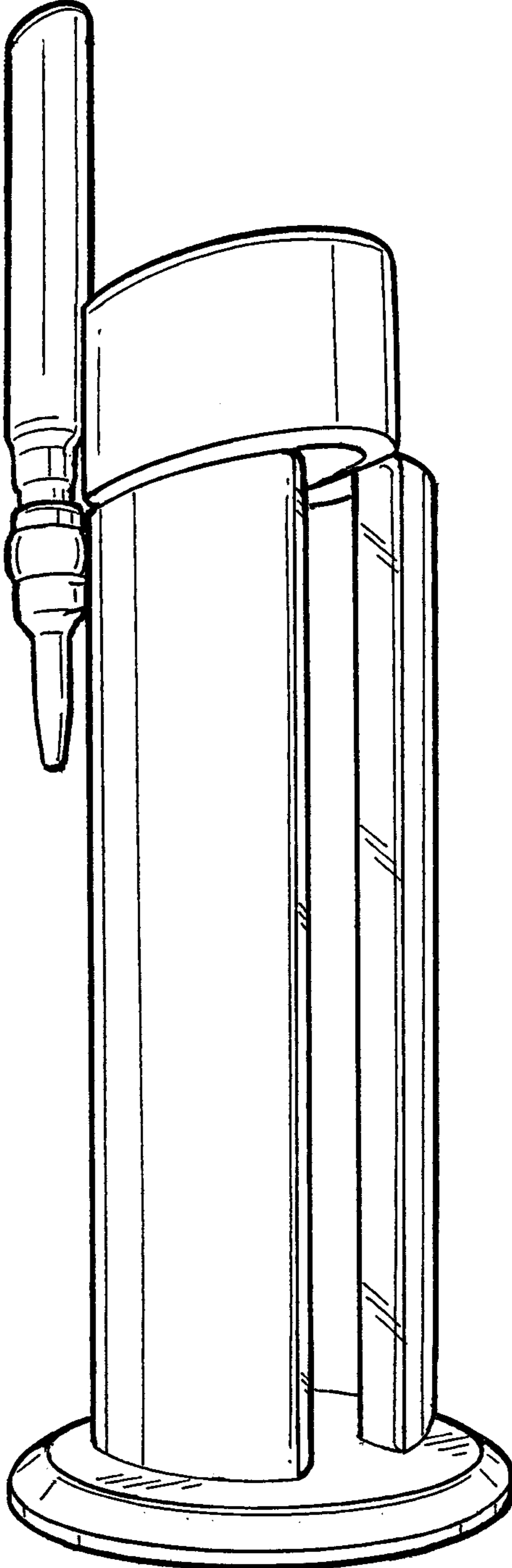


FIG. 1

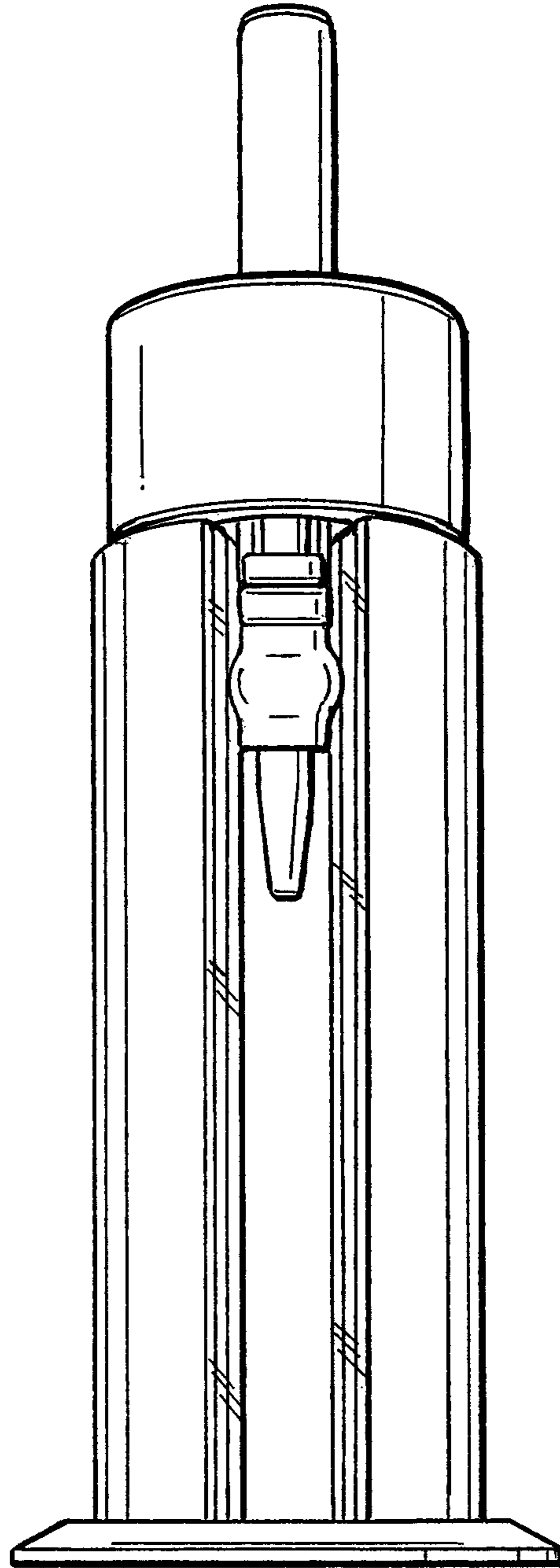


FIG. 2

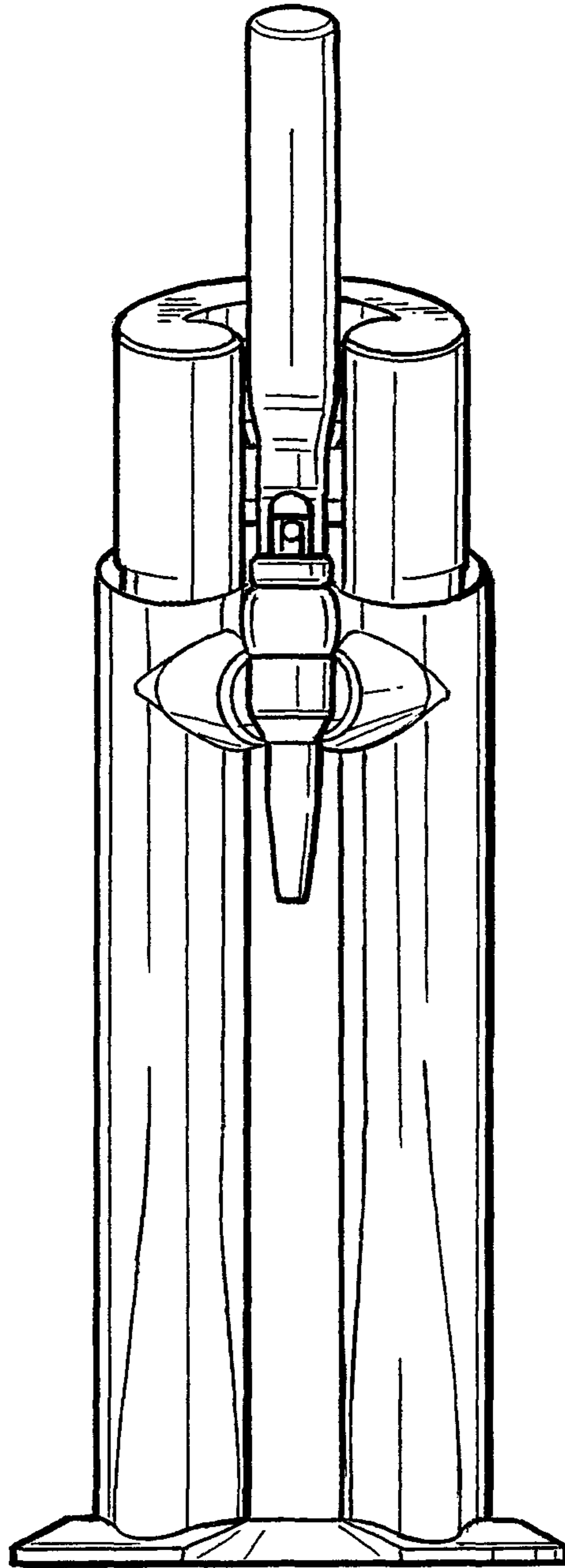


FIG. 3

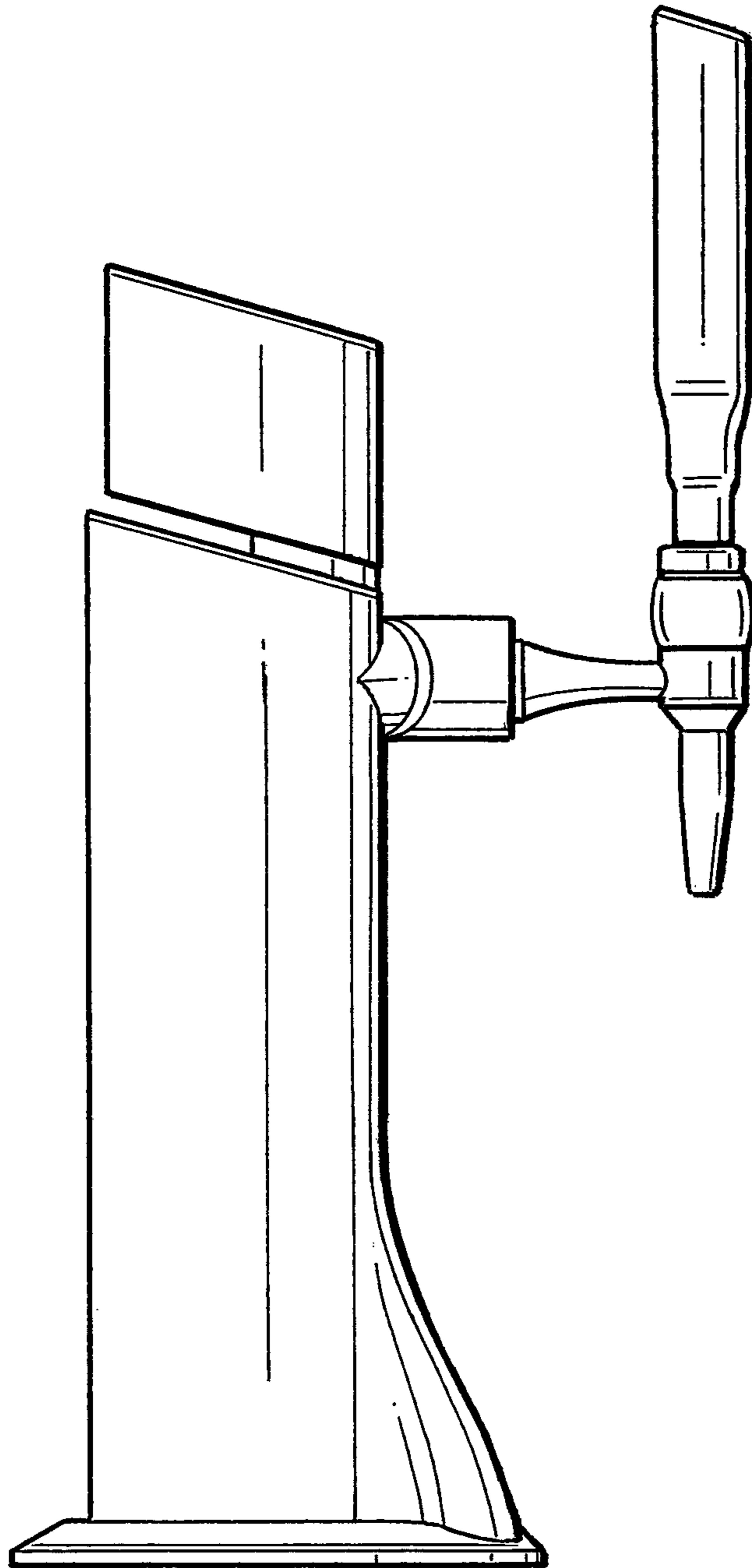


FIG. 4

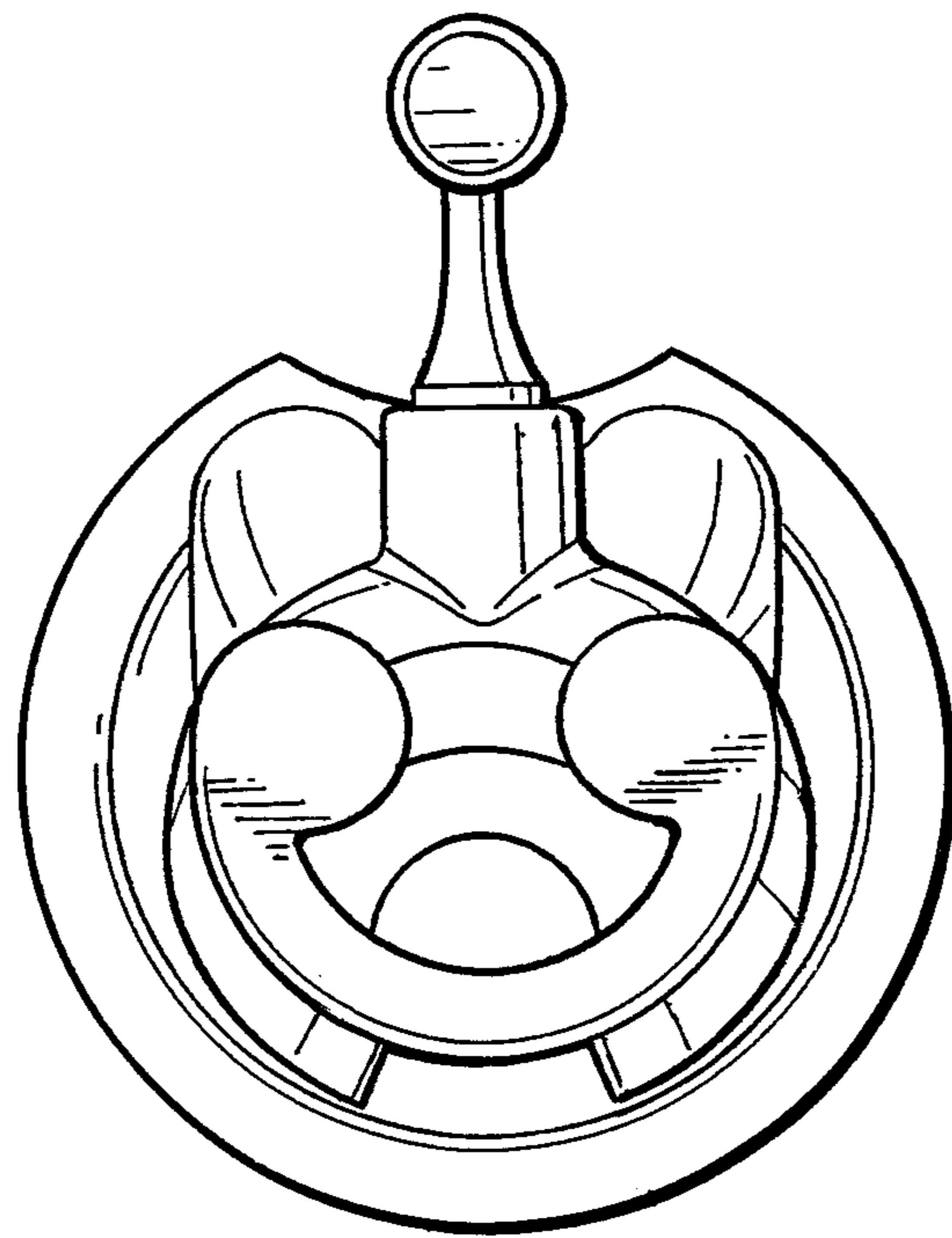


FIG. 5