



US00D694054S

(12) **United States Design Patent**
Blomstrom et al.

(10) **Patent No.:** **US D694,054 S**

(45) **Date of Patent:** **** Nov. 26, 2013**

(54) **TABLET CHAIR WITH BOOK RACK**

(71) Applicant: **Krueger International, Inc.**, Green Bay, WI (US)

(72) Inventors: **John K. Blomstrom**, Minneapolis, MN (US); **Patrick W. Fricke**, Bremerton, WA (US); **Jonathan M. Ries**, DePere, WI (US); **Marc A. Gulko**, Greenville, WI (US); **Daniel J. Noll**, Madison, WI (US)

(73) Assignee: **Krueger International, Inc.**, Green Bay, WI (US)

(**) Term: **14 Years**

(21) Appl. No.: **29/453,768**

(22) Filed: **May 2, 2013**

Related U.S. Application Data

(62) Division of application No. 29/393,779, filed on Jun. 9, 2011, now Pat. No. Des. 690,545.

(51) **LOC (9) Cl.** **06-01**

(52) **U.S. Cl.**
USPC **D6/716; D6/431**

(58) **Field of Classification Search**
USPC D6/334-336, 338, 340-355, 360, D6/363-365, 367-373, 716.1-716.6, 717, D6/717.2; 297/461, 462, 115, 116, 135, 297/160-162
See application file for complete search history.

(56) **References Cited**

U.S. PATENT DOCUMENTS

D54,187 S * 11/1919 Thompson D6/341
D170,303 S * 9/1953 Chapman et al. D6/341
D190,181 S * 4/1961 Alverson D6/341
3,380,778 A 4/1968 Barecki

D261,579 S * 11/1981 Heritage D6/341
4,372,605 A 2/1983 Cervantes
D279,636 S * 7/1985 Barnett D6/509
4,763,919 A 8/1988 Nakao et al.
5,364,137 A 11/1994 Shimer
D353,058 S 12/1994 Dallas
5,816,649 A 10/1998 Shields
5,954,393 A 9/1999 Perrin
6,237,997 B1 5/2001 Olson
D477,921 S * 8/2003 Bosman et al. D6/338
6,669,282 B2 12/2003 Piretti
6,733,073 B2 5/2004 Whiteside et al.
D511,416 S 11/2005 Obbitts et al.
7,207,625 B1 4/2007 Hardt, II et al.
7,407,232 B2 8/2008 Sakamoto et al.
D597,758 S 8/2009 Barrett et al.
7,597,392 B1 10/2009 Gilmore
7,600,820 B2 10/2009 Bouche et al.

(Continued)

Primary Examiner — Susan Bennett Hattan

Assistant Examiner — Vy Koenig

(74) *Attorney, Agent, or Firm* — Andrus, Scales, Starke & Sawall, LLP

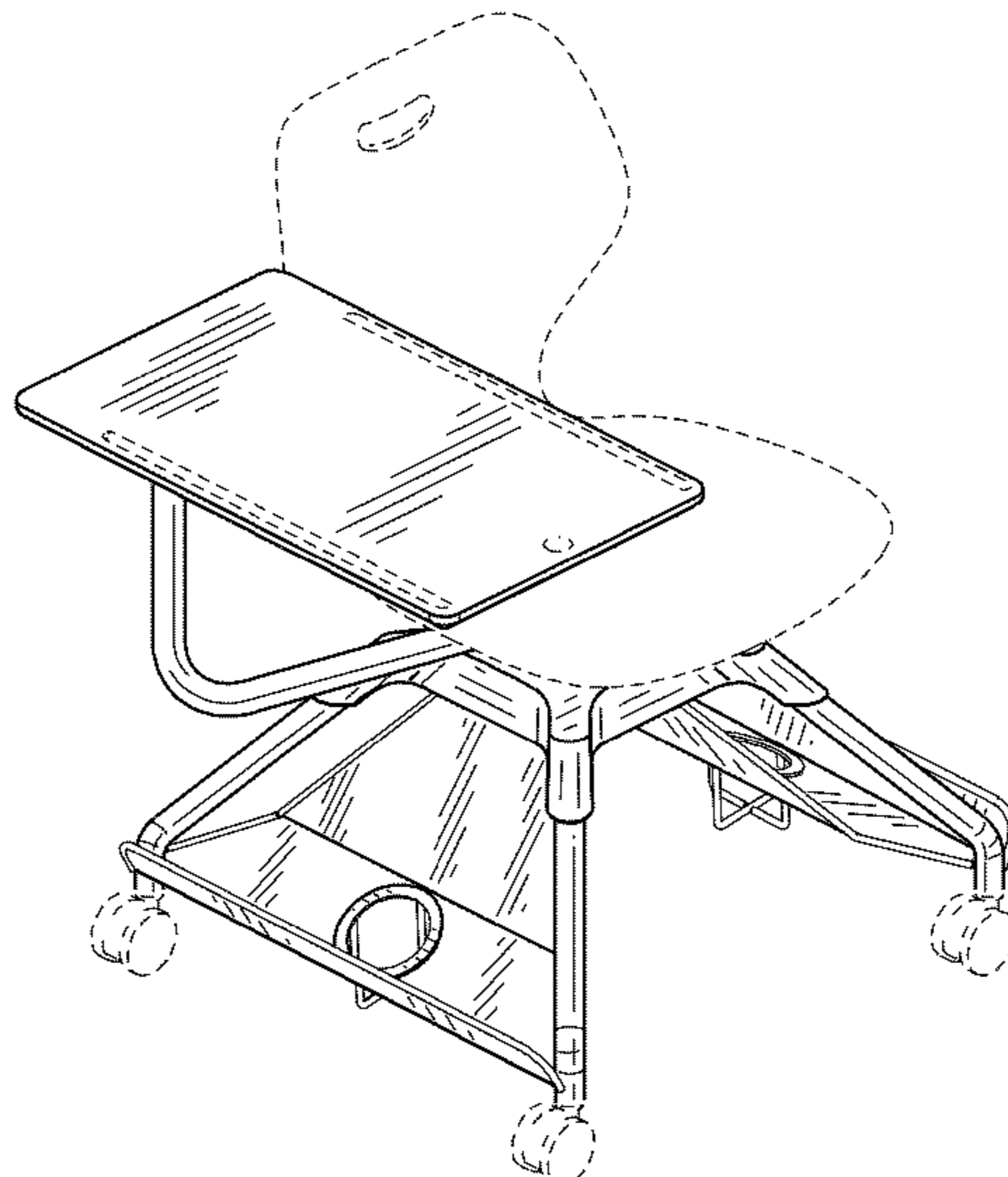
(57) **CLAIM**

The ornamental design for a tablet chair with book rack, as shown and described.

DESCRIPTION

FIG. 1 is an isometric view of a tablet chair with book rack incorporating our new design;
FIG. 2 is a top plan view thereof;
FIG. 3 is a front elevation view thereof;
FIG. 4 is a right side elevation view thereof;
FIG. 5 is a left side elevation view thereof;
FIG. 6 is a rear elevation view thereof; and,
FIG. 7 is an isometric view of the tablet chair with hook rack with the tablet rotated to an alternate position.
The portions shown in phantom illustrate environment and form no part of the claimed design.

1 Claim, 6 Drawing Sheets



US D694,054 S

Page 2

(56)

References Cited

U.S. PATENT DOCUMENTS

D611,740 S 3/2010 Koh
7,726,732 B1 6/2010 Keating
D636,612 S * 4/2011 Overthun et al. D6/338

D657,968 S * 4/2012 Thorfinnson et al. D6/336
D674,615 S * 1/2013 Blomstrom et al. D6/341
2005/0140186 A1 6/2005 Piretti
2005/0140187 A1 6/2005 Kordecki
2007/0284920 A1* 12/2007 Mehaffey et al. 297/162

* cited by examiner

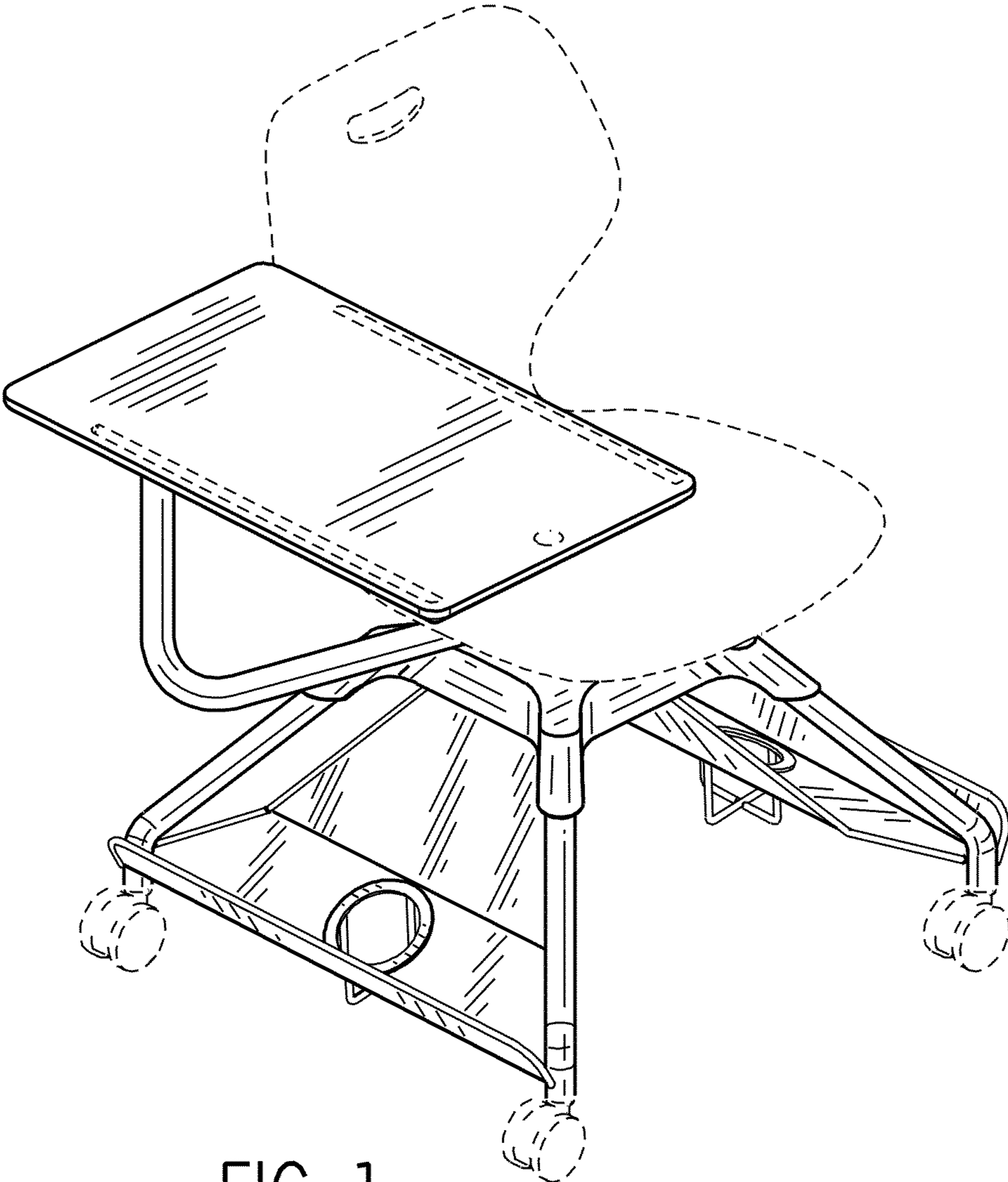
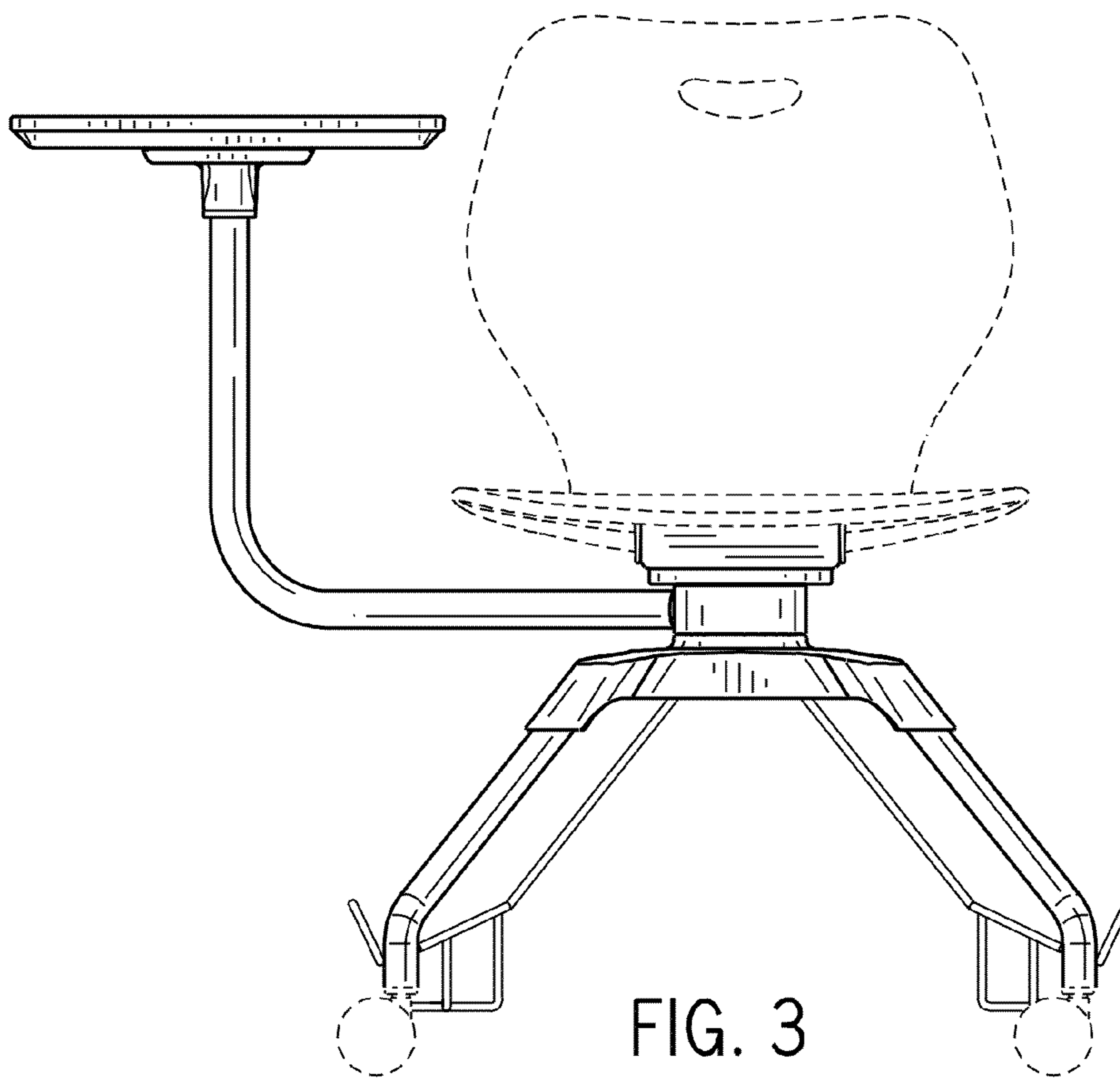
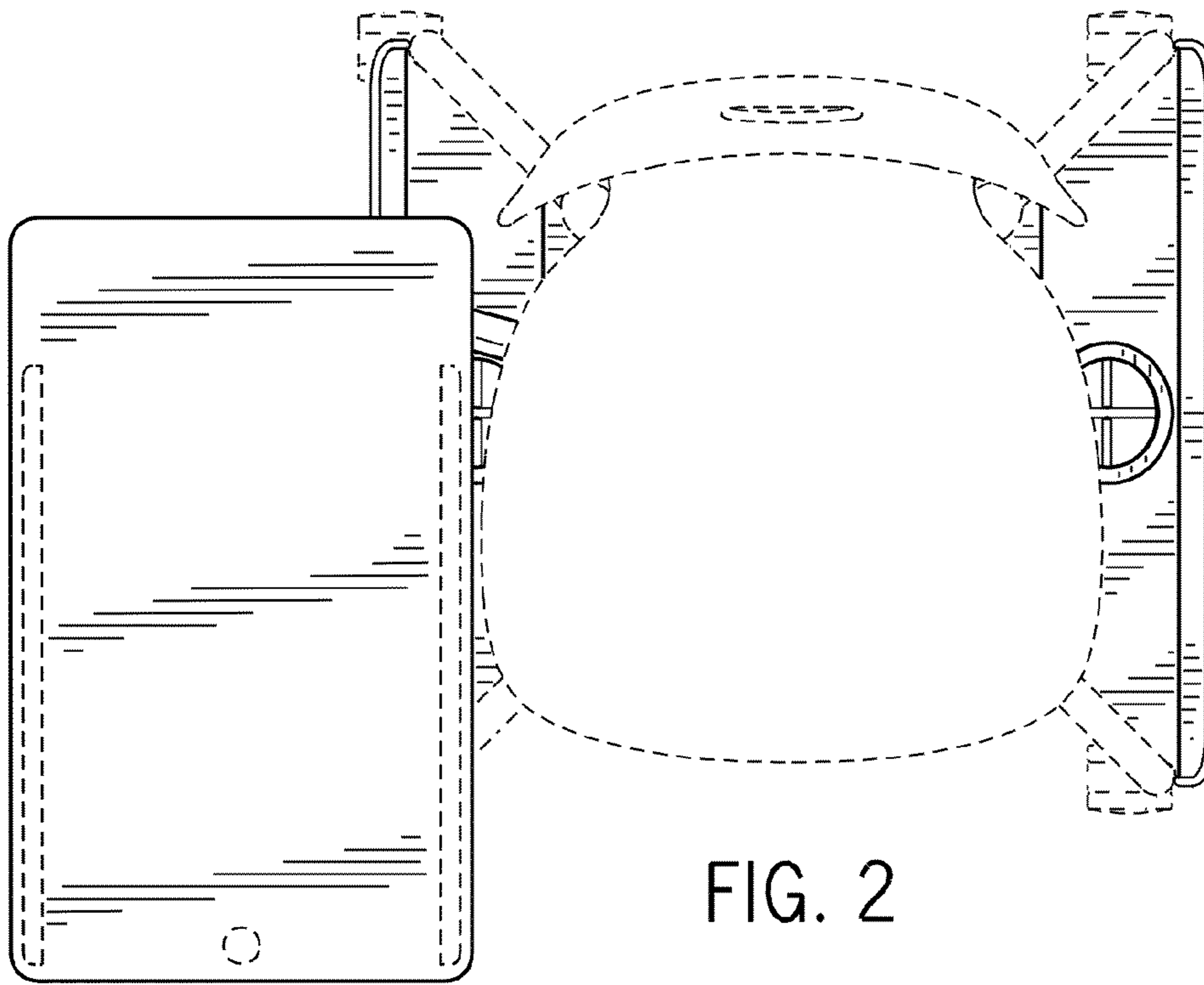


FIG. 1



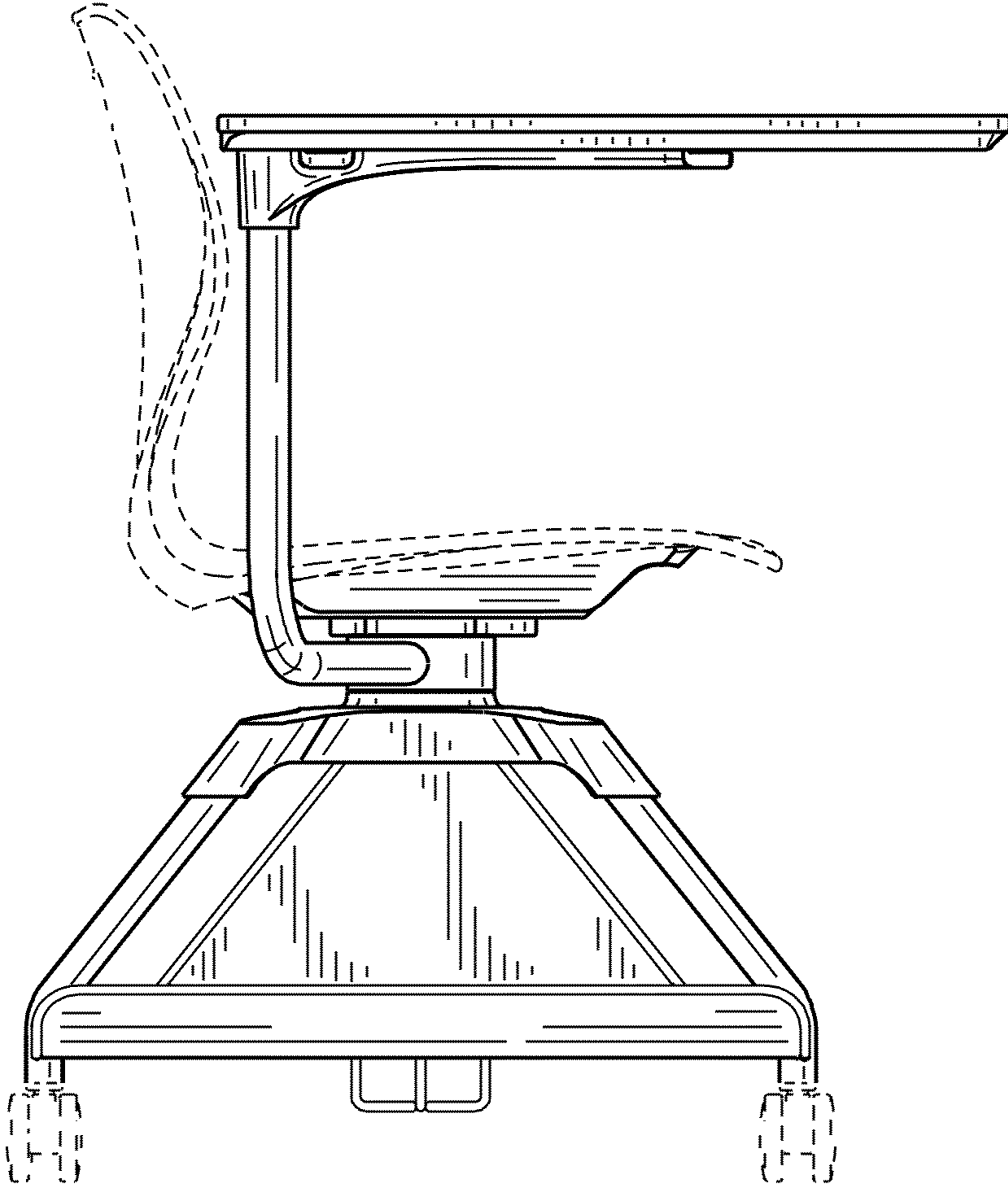


FIG. 4

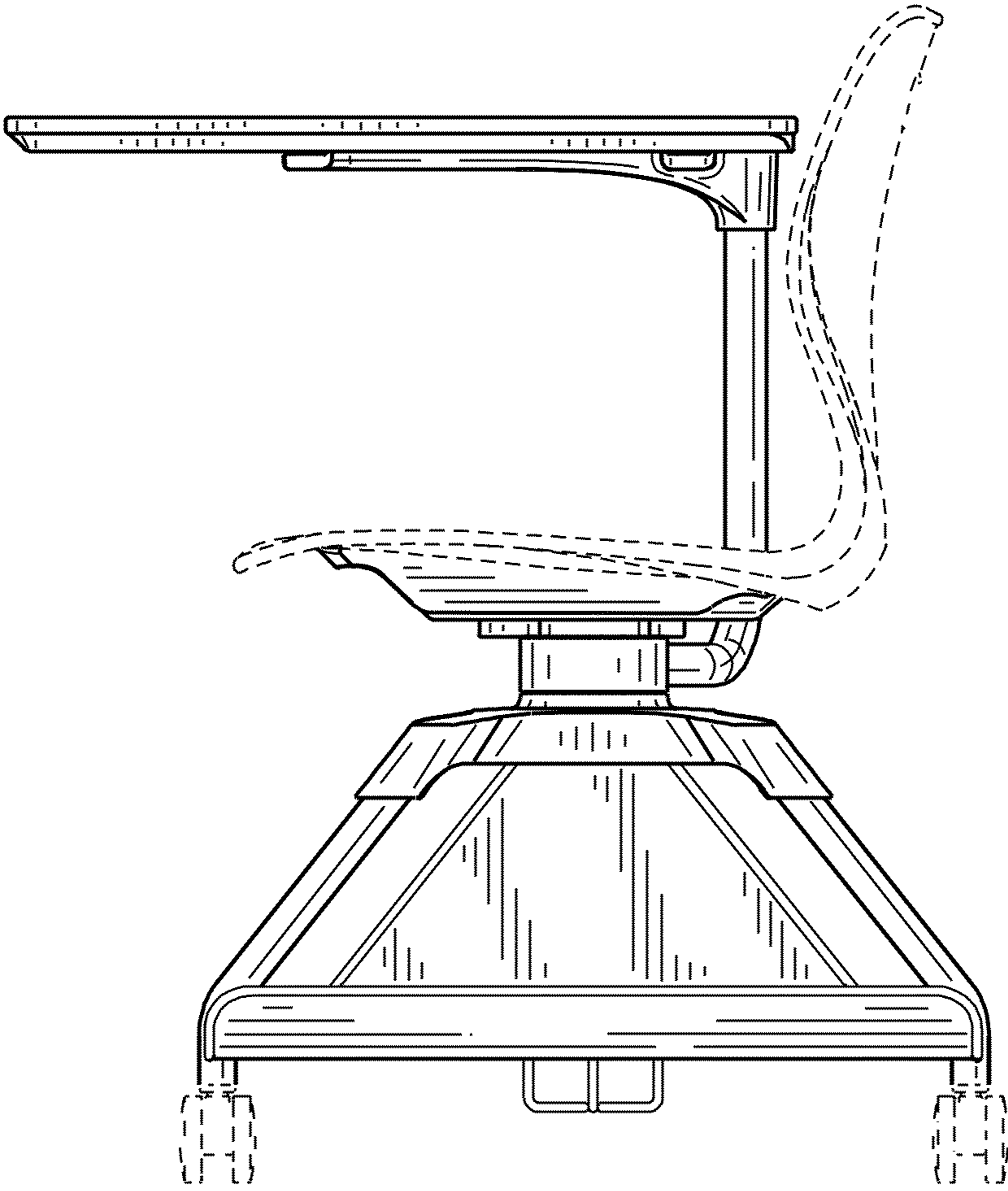


FIG. 5

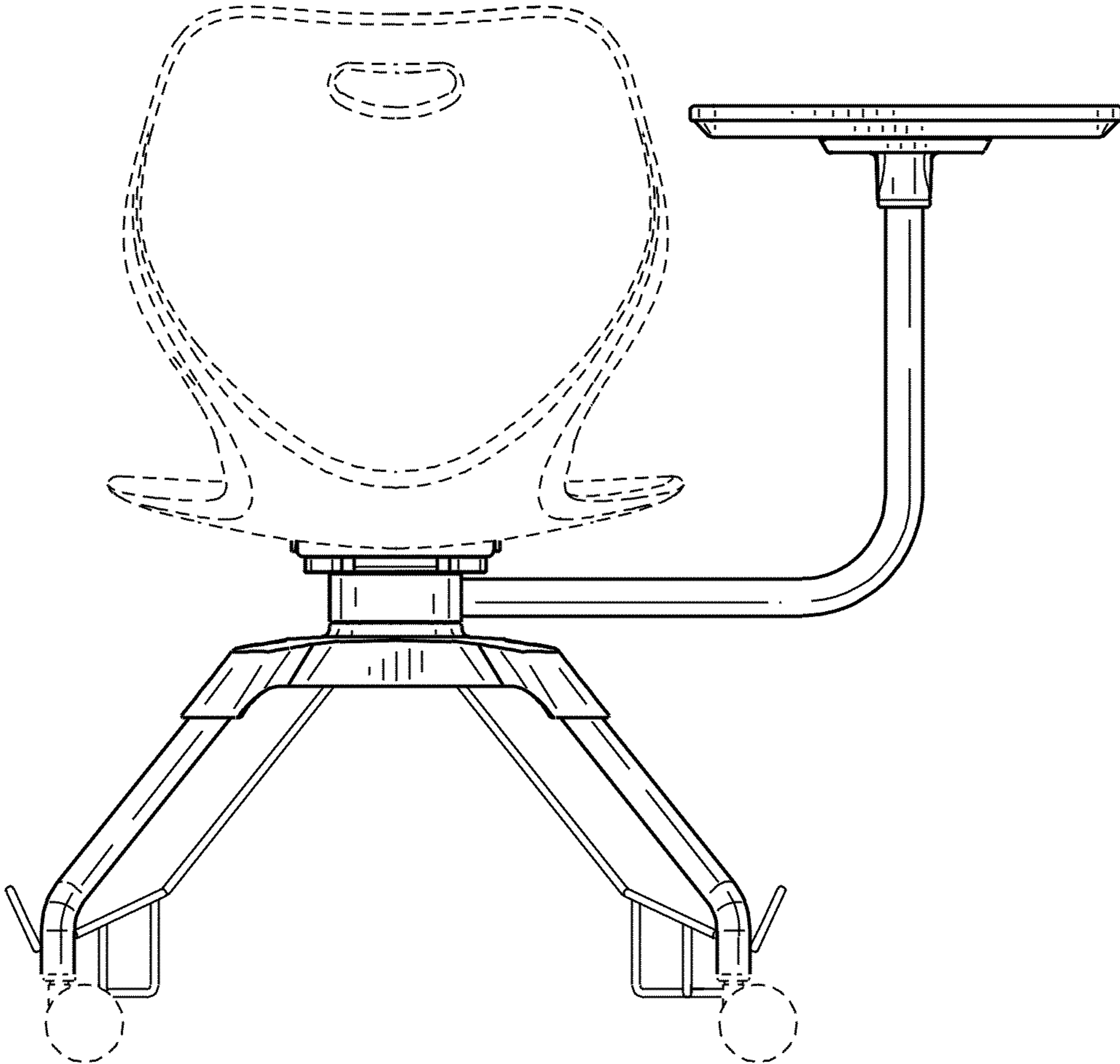


FIG. 6

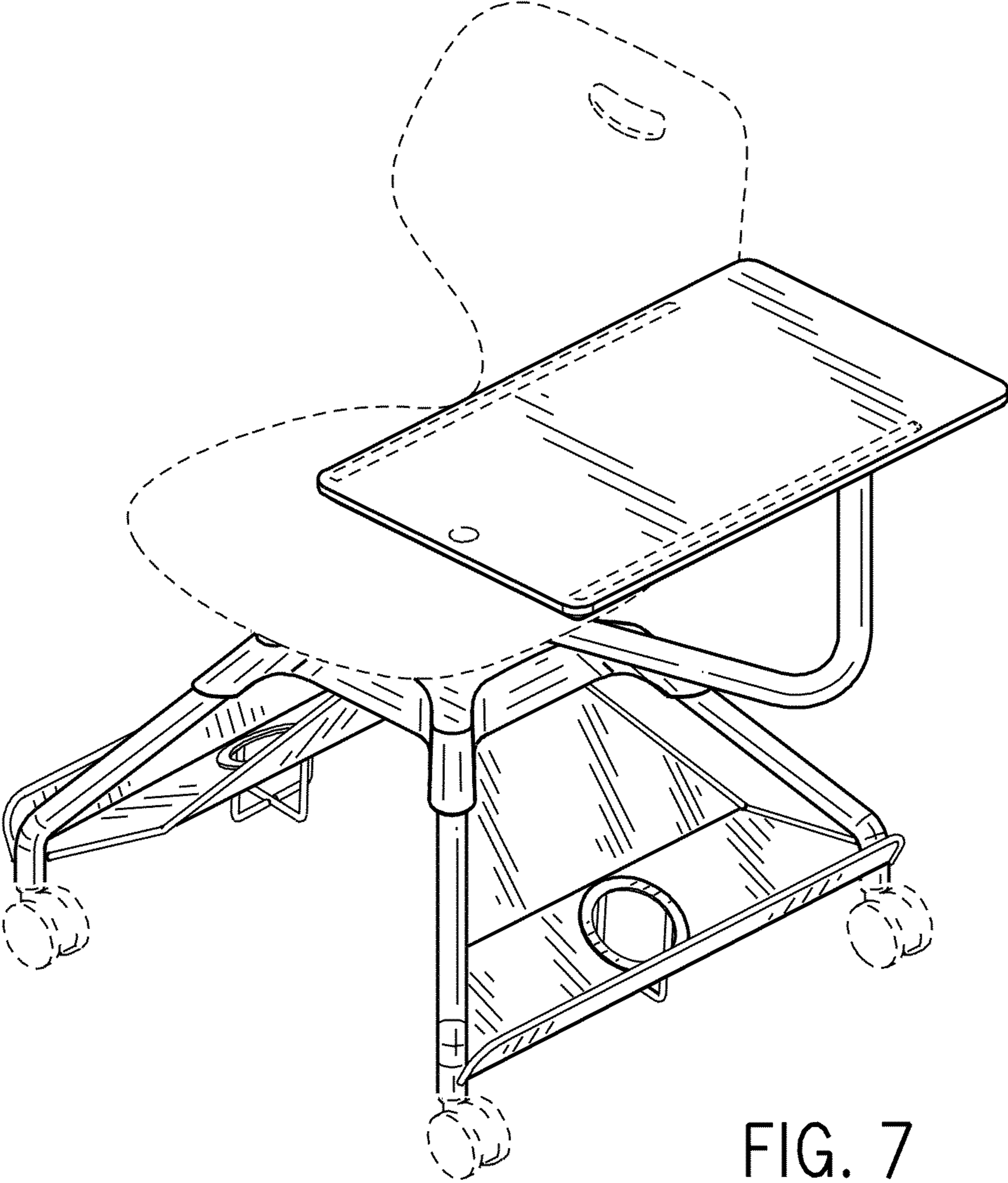


FIG. 7

UNITED STATES PATENT AND TRADEMARK OFFICE
CERTIFICATE OF CORRECTION

PATENT NO. : D694,054 S
APPLICATION NO. : 29/453768
DATED : November 26, 2013
INVENTOR(S) : John K. Blomstrom

Page 1 of 1

It is certified that error appears in the above-identified patent and that said Letters Patent is hereby corrected as shown below:

On the Title Page

DESCRIPTION should read

FIG. 7 is an isometric view of the tablet chair with [hook] --book-- rack with the tablet rotated to an alternate position.

Signed and Sealed this
Twenty-seventh Day of May, 2014



Michelle K. Lee
Deputy Director of the United States Patent and Trademark Office