



US00D694052S

(12) **United States Design Patent**
Ogawa

(10) **Patent No.:** **US D694,052 S**
(45) **Date of Patent:** **** Nov. 26, 2013**

(54) **KITCHEN COUNTER**

FOREIGN PATENT DOCUMENTS

(76) Inventor: **Hirohisa Ogawa, Zushi (JP)**

JP	D1330241 S	5/2008
JP	D1361503 S	6/2009
JP	D1368114 S	8/2009
JP	D1404272 S	1/2011
JP	D1405273 S	1/2011
JP	D1405467 S	1/2011

(**) Term: **14 Years**

(21) Appl. No.: **29/390,554**

* cited by examiner

(22) Filed: **Apr. 26, 2011**

(30) **Foreign Application Priority Data**

Primary Examiner — Cathron Brooks

Assistant Examiner — Sydney Buffalow

Oct. 27, 2010	(JP)	2010-025844
Oct. 27, 2010	(JP)	2010-025845
Oct. 27, 2010	(JP)	2010-025846
Oct. 27, 2010	(JP)	2010-025847

(74) *Attorney, Agent, or Firm* — Strategy IP, a professional law corporation

(51) **LOC (9) Cl.** **06-02**

(57) **CLAIM**

The ornamental design for a kitchen counter, as shown and described.

(52) **U.S. Cl.**

DESCRIPTION

USPC **D6/707**

(58) **Field of Classification Search**

USPC D6/511, 495, 492, 429-431, 406.3,
D6/480-489; 108/150, 152, 153.1, 157.1,
108/161, 43; D7/698; D21/397, 484;
248/188, 188.1, 188.8; 126/211;
414/12

FIG. 1 is a front, top and right side perspective view of a kitchen counter, showing my new design;
FIG. 2 is a front elevational view thereof;
FIG. 3 is a rear elevational view thereof;
FIG. 4 is a top plan view thereof;
FIG. 5 is a bottom plan view thereof;
FIG. 6 is a right side elevational view thereof;
FIG. 7 is a left side elevational view thereof;
FIG. 8 is a cross sectional view thereof, taken along the line 8-8 in FIG. 6, with its internal mechanisms omitted; and,
FIG. 9 is a cross sectional view thereof, taken along the line 9-9 in FIG. 6, with its internal mechanisms omitted.

See application file for complete search history.

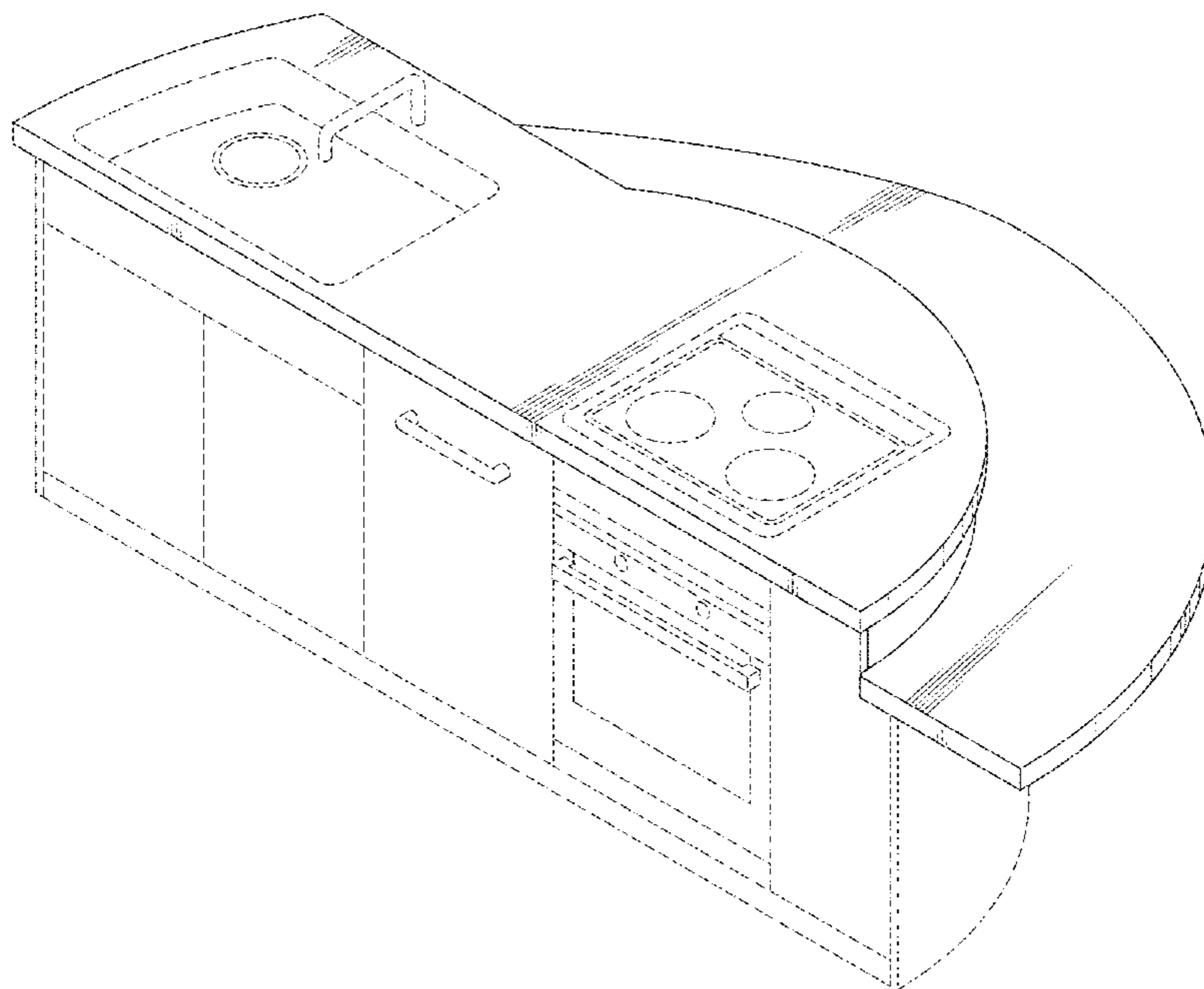
The broken lines shown are included for the purpose of illustrating the environment in which the article resides and form no part of the claimed design.

(56) **References Cited**

U.S. PATENT DOCUMENTS

D207,713 S *	5/1967	Sullivan	D6/511
D401,791 S *	12/1998	Schwab	D6/486
D610,380 S *	2/2010	Momeny	D6/511
D627,997 S *	11/2010	Ogawa	D6/511
2007/0169770 A1 *	7/2007	Kuwamura	126/211
2009/0180843 A1 *	7/2009	Jackson et al.	414/12

1 Claim, 8 Drawing Sheets



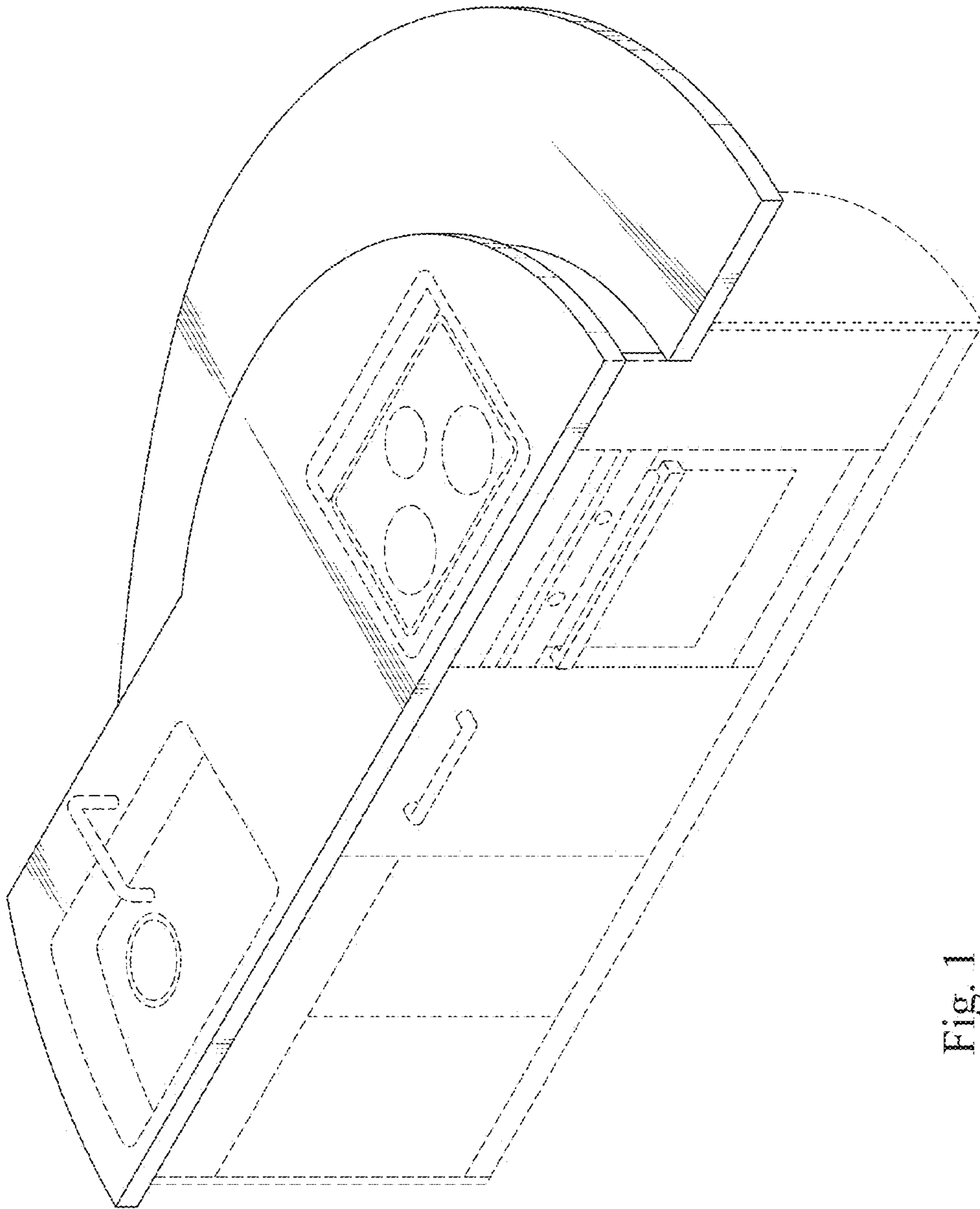


Fig. 1

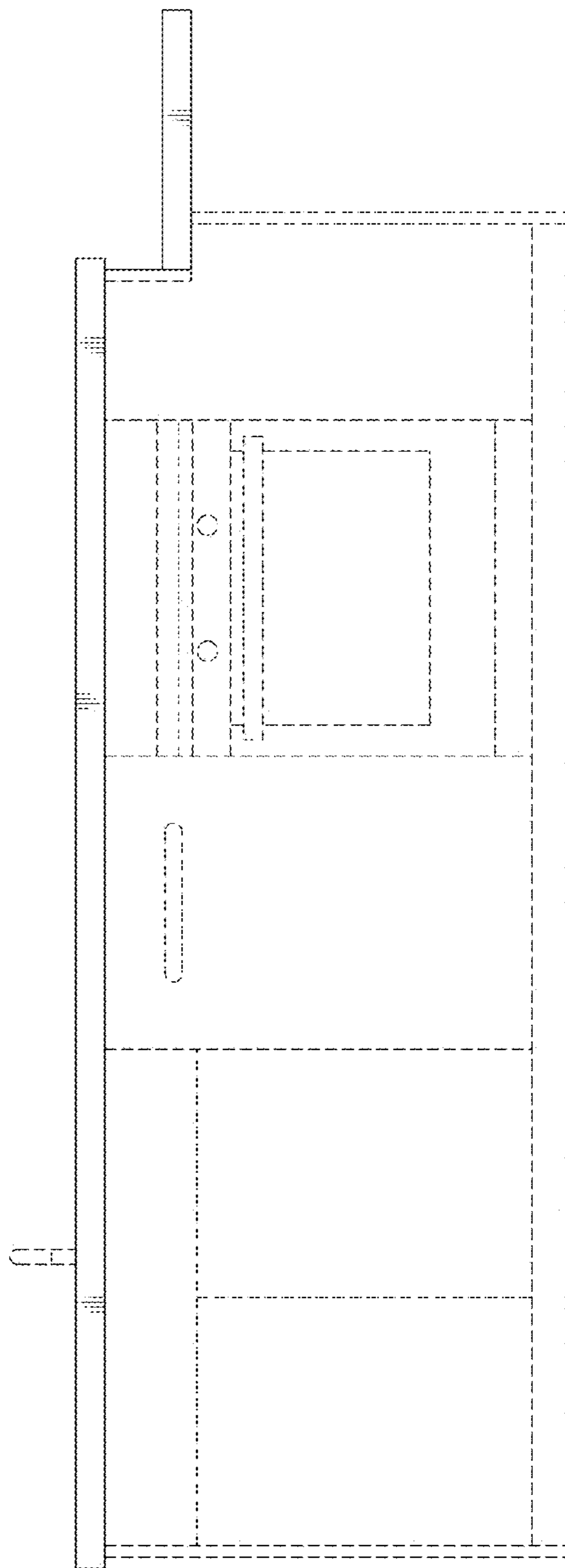


Fig. 2

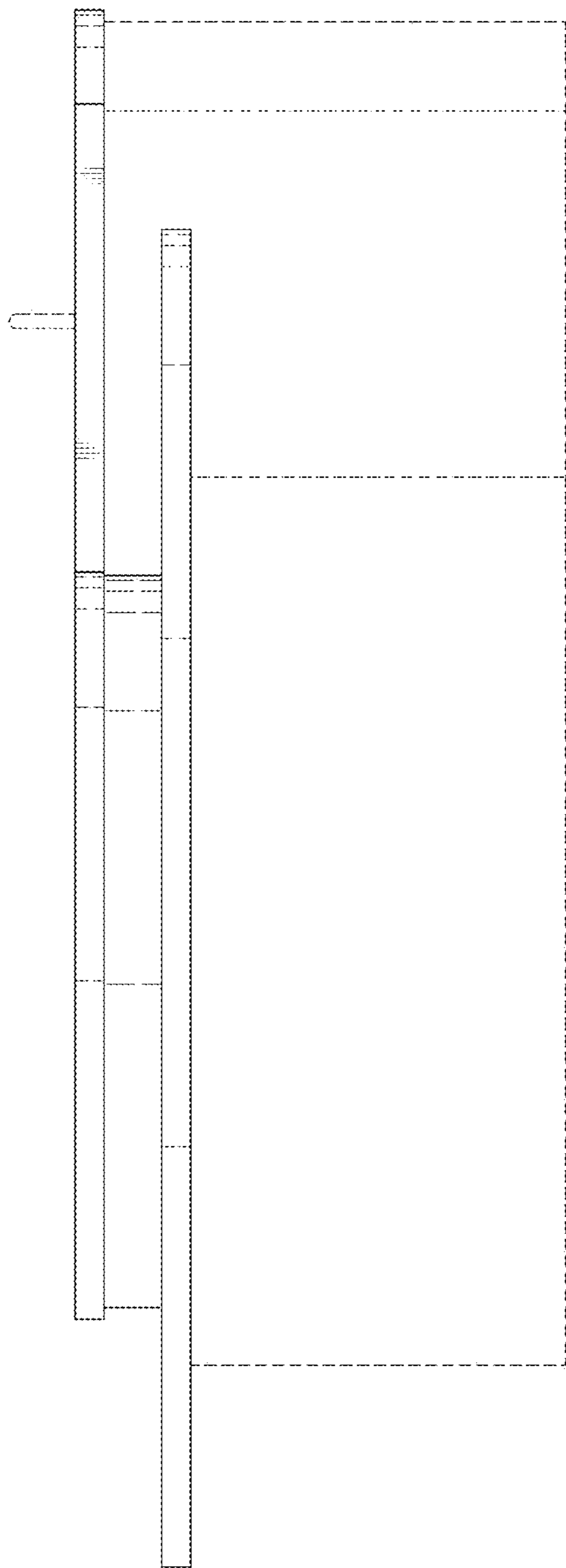


Fig. 3

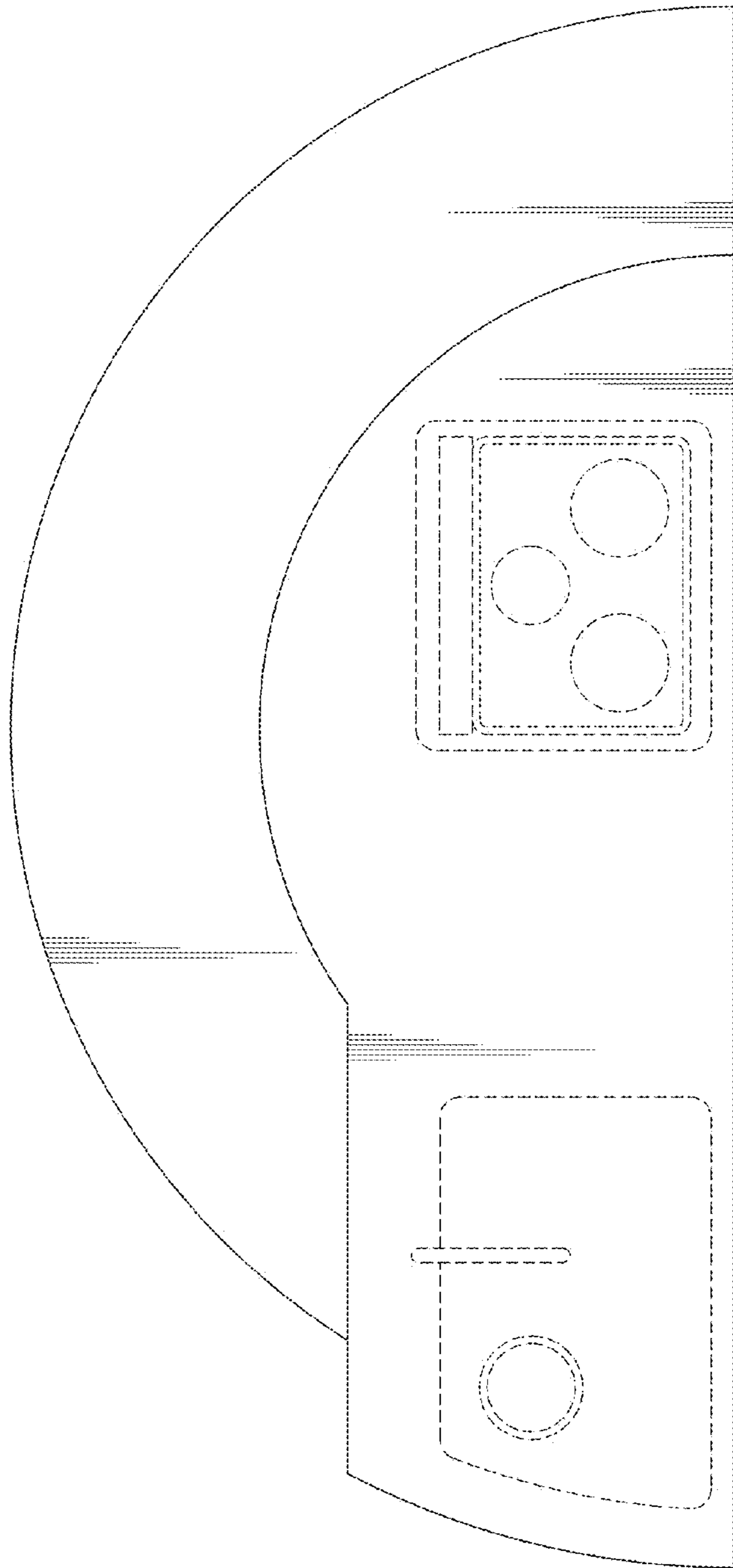


Fig. 4

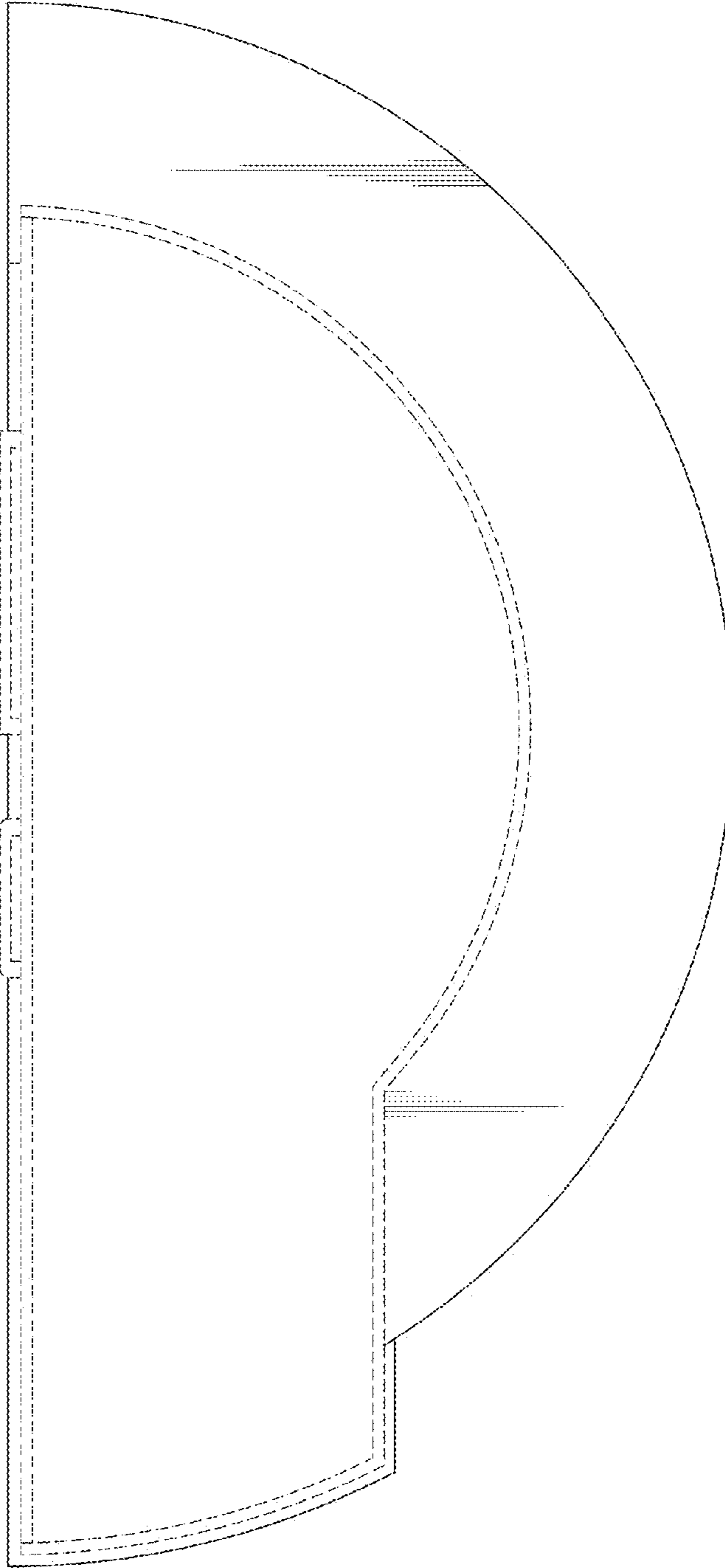


Fig. 5

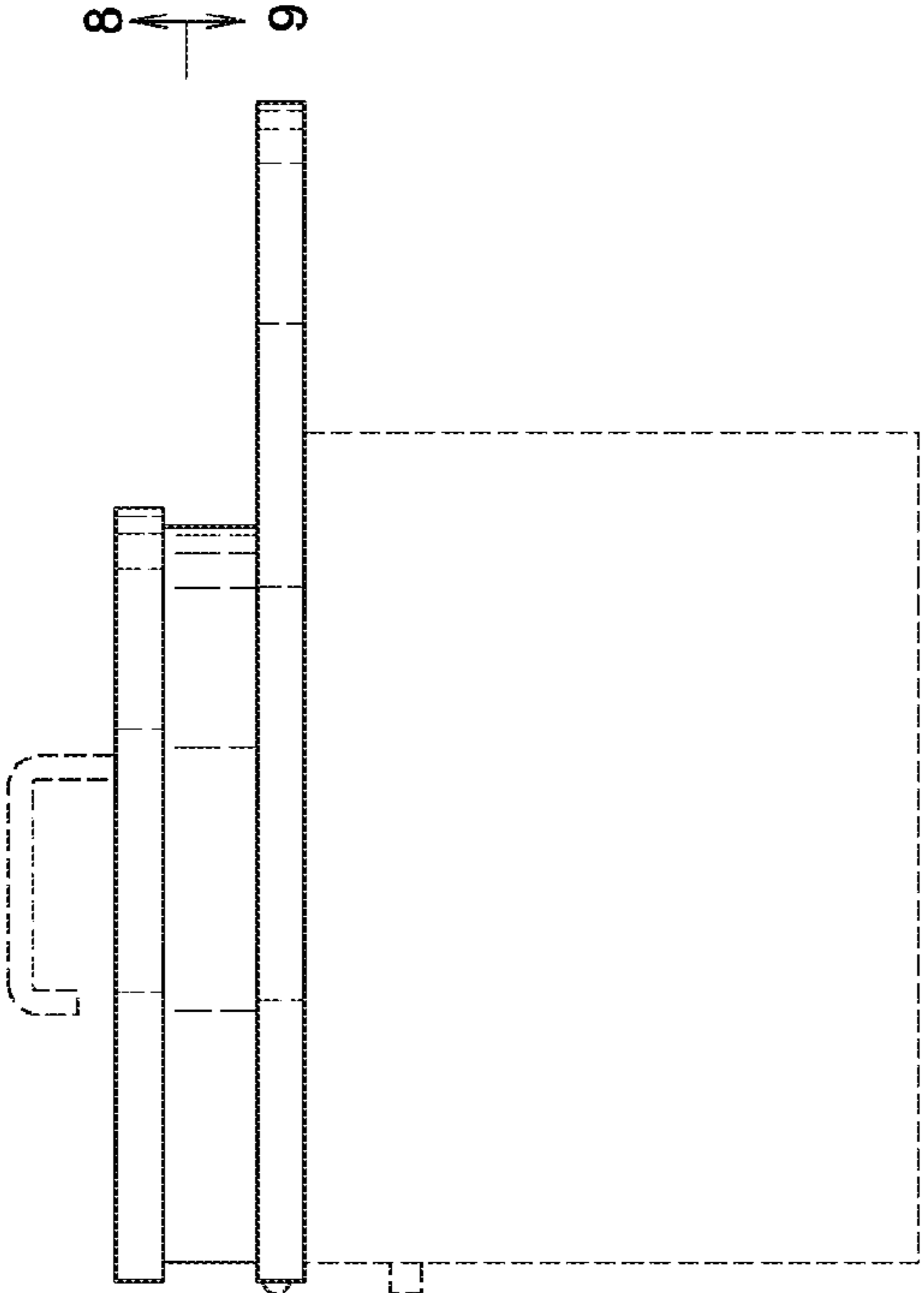


Fig. 6

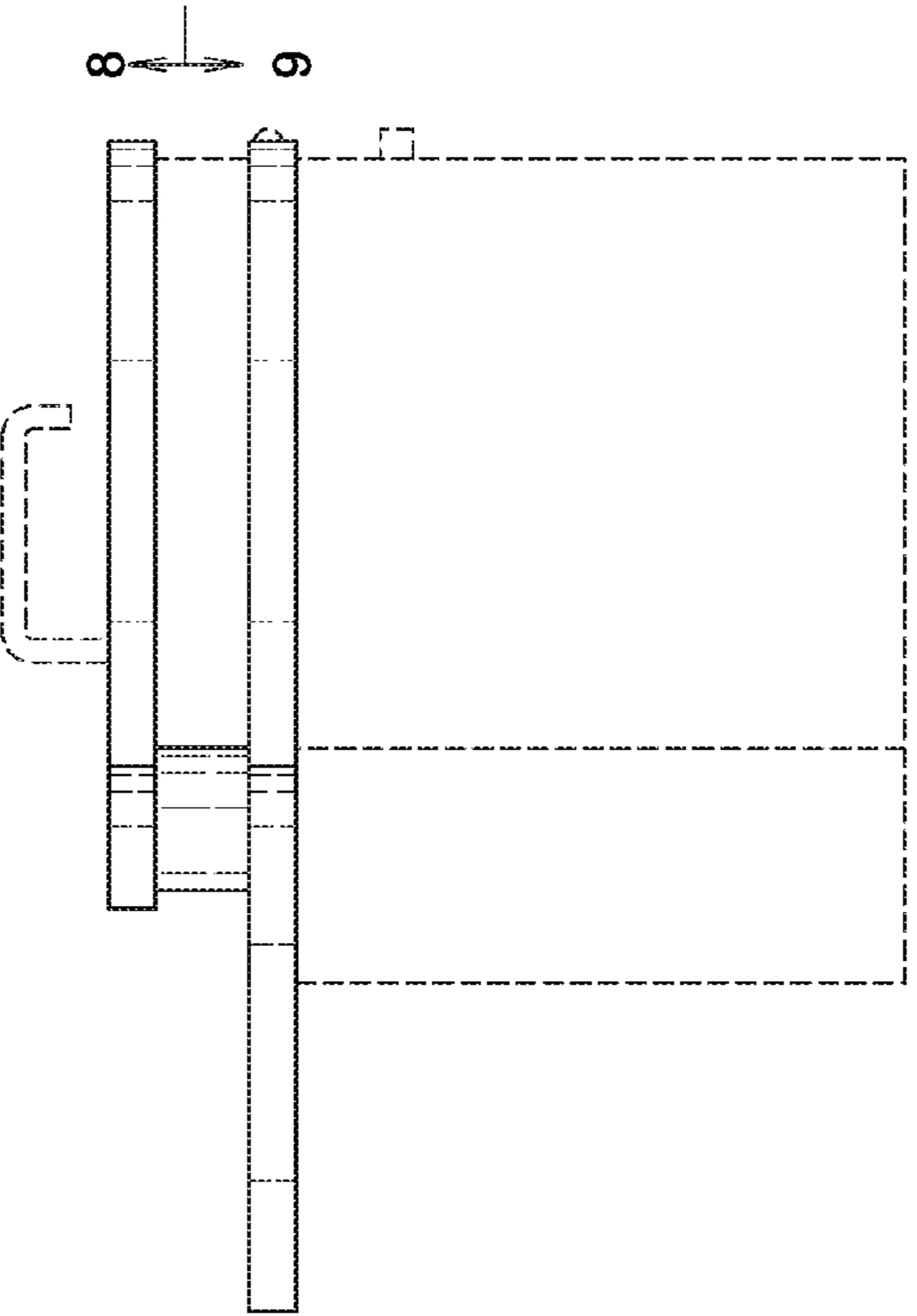


Fig. 7

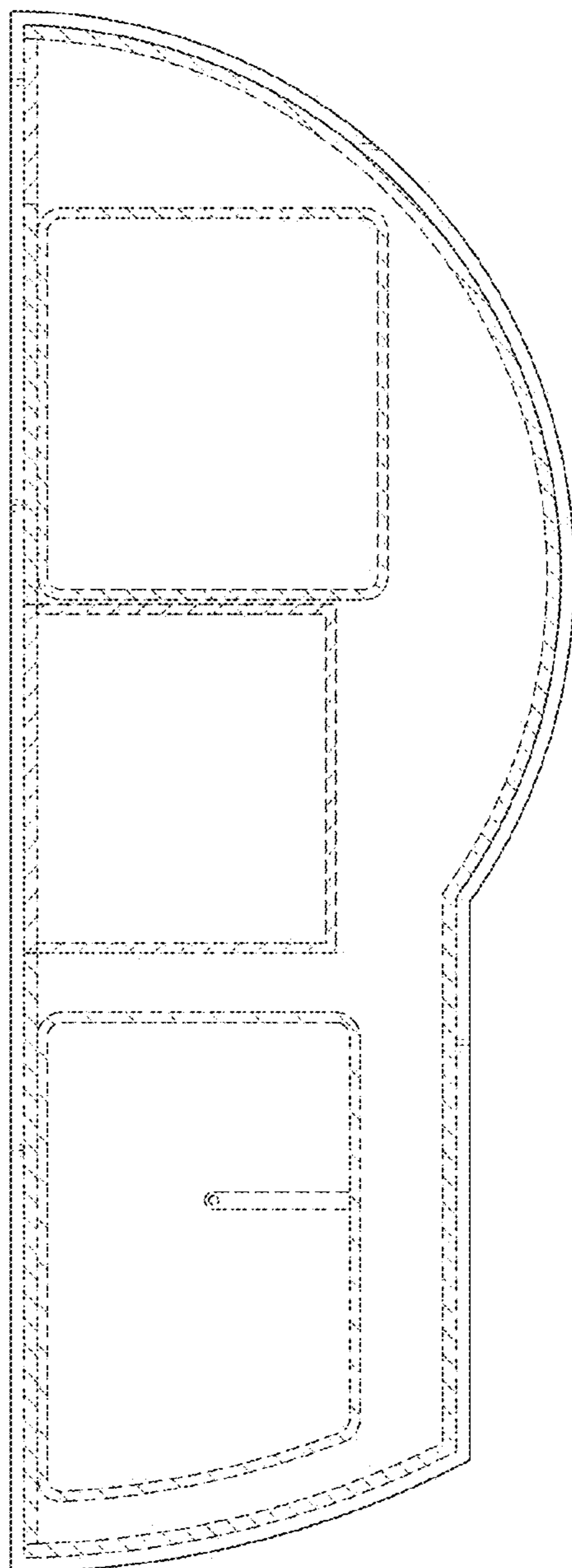


Fig. 8

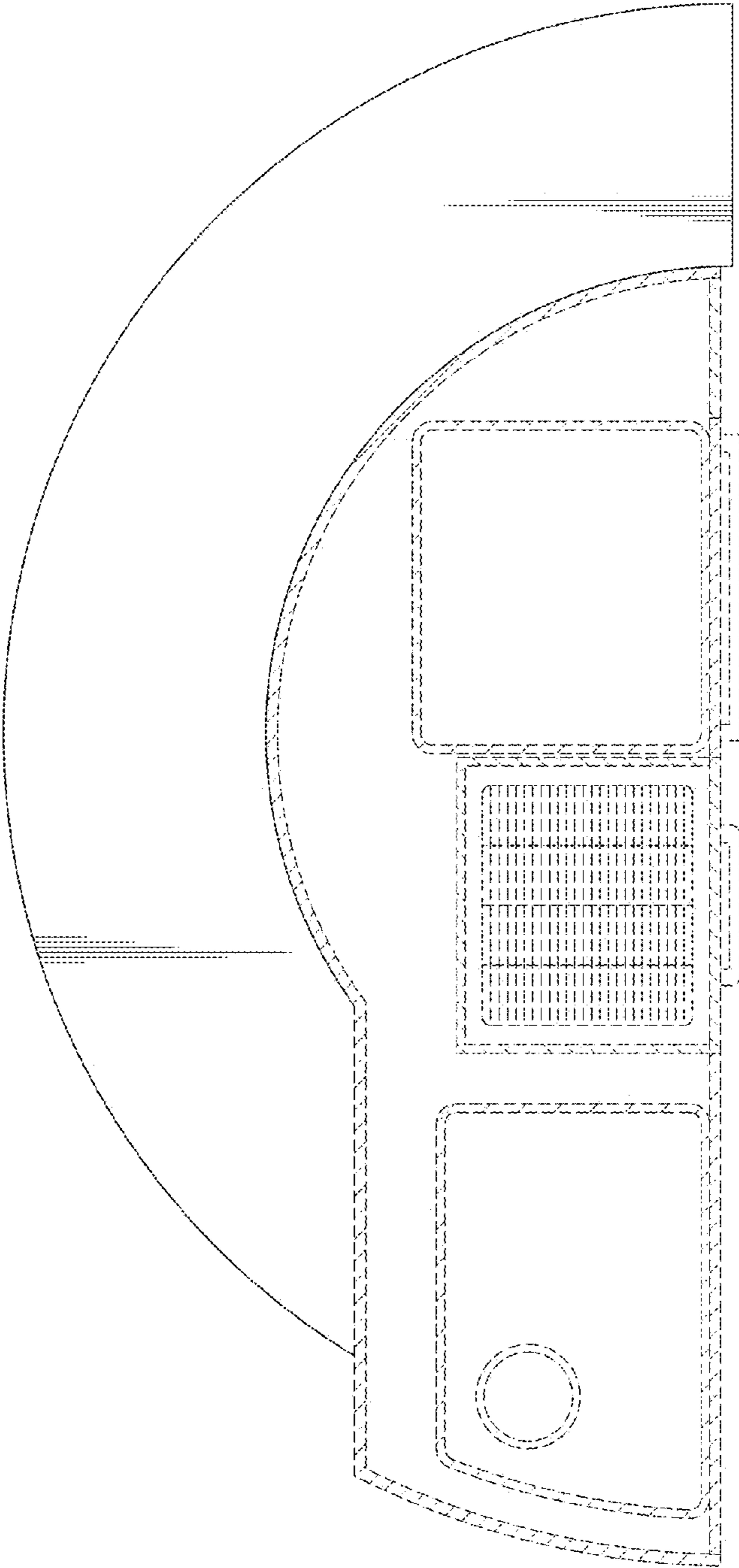


Fig. 9