



US00D694050S

(12) **United States Design Patent**
Eckert et al.

(10) **Patent No.:** **US D694,050 S**
(45) **Date of Patent:** **** Nov. 26, 2013**

(54) **KITCHEN DRAWER ACCESSORY**

(71) Applicant: **Bulthaup GmbH & Co. KG**,
Bodenkirchen (DE)

(72) Inventors: **Marc Eckert**, Landshut (DE); **Klaus**
Dellbeck, Munich (DE)

(73) Assignee: **Bulthaup GmbH & Co. KG**,
Bodenkirchen (DE)

(**) Term: **14 Years**

(56) **References Cited**

U.S. PATENT DOCUMENTS

2,344,302 A * 3/1944 Harza 405/16
D167,732 S * 9/1952 Alba D3/310
3,200,957 A * 8/1965 Morin 211/1
3,233,804 A * 2/1966 Dahm 294/160
3,279,642 A * 10/1966 Kafferlin 220/544
3,591,032 A * 7/1971 Baxter 217/26.5
3,708,709 A 1/1973 Morrison et al.
3,746,181 A * 7/1973 Benoit 211/184
4,004,501 A * 1/1977 Guerrero 99/426
D249,362 S * 9/1978 Forsman et al. D24/230
4,705,168 A * 11/1987 Ward 206/373

(Continued)

(21) Appl. No.: **29/439,899**

(22) Filed: **Dec. 17, 2012**

(30) **Foreign Application Priority Data**

Jul. 4, 2012 (DE) 40 2012 003 113

(51) **LOC (9) Cl.** **06-04**
(52) **U.S. Cl.**
USPC **D6/706**

(58) **Field of Classification Search**
USPC D3/310-313; D6/300, 309, 396, 407,
D6/420, 425, 432-448, 460-470, 474-479,
D6/491-495, 509-511, 559, 663, 672,
D6/675.2, 678.4, 682.4, 686, 705, 705.6,
D6/706; D7/409, 504, 600.1-600.4;
D9/425, 456; D19/77; D24/227, 230;
99/426; 206/373, 449, 756; 211/1, 74,
211/87.01, 126.15, 184, 195; 217/26.5;
220/4.03, 528-529, 544; 235/381;
294/160; 312/107-109, 138.1, 183,
312/194, 198, 204-217, 224-237, 257.1,
312/278-279, 330.1, 348.3; 405/16

See application file for complete search history.

FOREIGN PATENT DOCUMENTS

DE 1781142 U 1/1959
DE 3601583 A1 8/1986

(Continued)

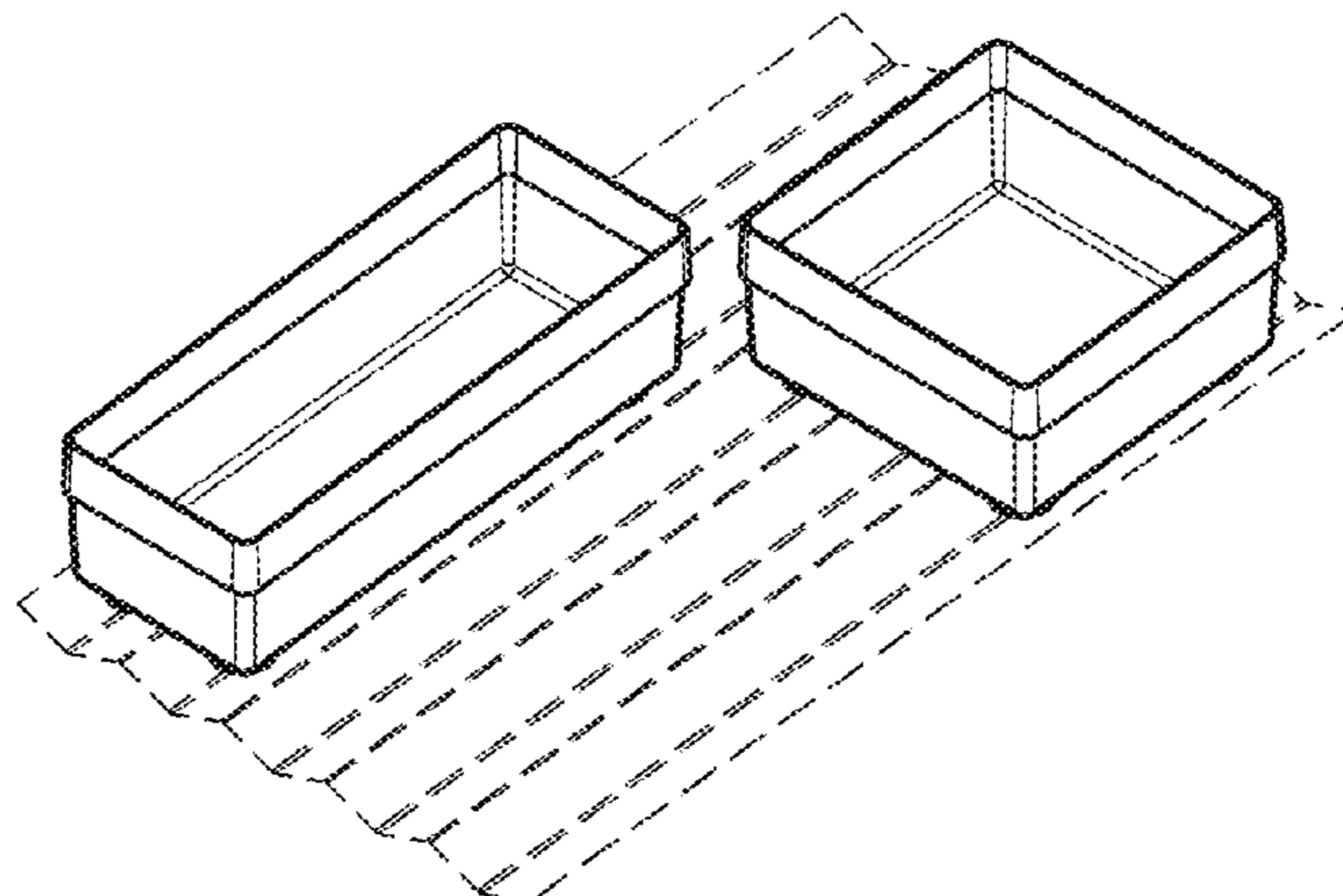
Primary Examiner — Ricky Pham
(74) *Attorney, Agent, or Firm* — Alleman Hall McCoy
Russell & Tuttle LLP

(57) **CLAIM**
The ornamental design for a kitchen drawer accessory, as
shown and described.

DESCRIPTION

FIG. 1 is a top-front perspective view of a design for a kitchen
drawer accessory according to the present disclosure.
FIG. 2 is a second top-front perspective view of the kitchen
drawer accessory of FIG. 1.
FIG. 3 is a left side view of the kitchen drawer accessory of
FIG. 1; and,
FIG. 4 is a bottom-front perspective view of the kitchen
drawer accessory of FIG. 1.
The solid lines in FIGS. 1-4 illustrate a kitchen drawer acces-
sory according to the present disclosure. The broken lines
form no part of the claimed design. Front, rear, top, bottom,
and right views are not shown as they do not show any
additional claimed features.

1 Claim, 1 Drawing Sheet



(56)

References Cited

U.S. PATENT DOCUMENTS

4,832,208 A 5/1989 Finnegan
 D301,590 S * 6/1989 Foran et al. D19/77
 D316,347 S * 4/1991 Getto D6/467
 5,058,765 A * 10/1991 Gomi et al. 220/528
 D334,867 S * 4/1993 May D7/504
 D334,973 S * 4/1993 Valentine et al. D24/227
 D352,454 S * 11/1994 Krupa D9/425
 5,573,117 A * 11/1996 Adams 206/449
 D386,335 S * 11/1997 LaFreniere D6/510
 5,810,182 A * 9/1998 Levin 211/195
 D399,366 S * 10/1998 Stravitz D6/407
 D404,220 S * 1/1999 Stravitz D6/407
 5,887,961 A * 3/1999 Rosenberg et al. 312/348.3
 5,938,040 A * 8/1999 Goodwin et al. 206/756
 6,073,794 A * 6/2000 Bidot 220/529
 6,129,219 A * 10/2000 Peickert 211/74
 6,129,433 A * 10/2000 Rosenberg et al. 312/348.3
 D472,711 S * 4/2003 Chen D3/313
 6,691,884 B1 * 2/2004 Dwyer 220/4.03
 D487,971 S * 4/2004 Bergeron et al. D3/313
 D489,938 S * 5/2004 Vipond D7/504
 D497,799 S * 11/2004 Koizumi D9/456
 6,913,164 B2 * 7/2005 Duquette 220/528
 6,929,178 B2 * 8/2005 Moriya et al. 235/381
 D510,823 S * 10/2005 Ng et al. D6/480
 7,140,705 B2 * 11/2006 Dressendorfer et al. ... 312/348.3
 D554,912 S * 11/2007 Scicluna et al. D6/492
 7,429,089 B2 * 9/2008 Arney 312/183
 D636,894 S * 4/2011 Tomes et al. D24/227
 D680,381 S * 4/2013 Tsai D7/600.1

FOREIGN PATENT DOCUMENTS

DE 4231460 C2 3/1994
 DE 29809122 U1 9/1998

DE 400002970001 2/2000
 DE 102005057612 B3 * 2/2007
 DE 202008000393 U1 4/2008
 DE 102008047315 A1 5/2010
 DE 402009005769-0005 7/2010
 DE 202009001325 U1 11/2010
 DE 402010004191-0019 9/2011
 DE 402010004191-0024 9/2011
 DE 202012003483 U1 5/2012
 EP 00023577-0001 10/2003
 EP 00107222-0015 3/2004
 EP 000257811-0001 2/2005
 EP 000257811-0031 2/2005
 EP 000257811-0032 2/2005
 EP 000263942-0001 3/2005
 EP 000263942-0002 3/2005
 EP 000301361-0001 3/2005
 EP 1195117 B1 8/2005
 EP 000558366-0002 8/2006
 EP 00724018-0001 6/2007
 EP 000789946-0001 10/2007
 EP 000824990-0001 11/2007
 EP 00845243 1/2008
 EP 001206015-0005 5/2010
 EP 001206015-0006 5/2010
 EP 001206015-0007 5/2010
 EP 001206015-0008 5/2010
 EP 001206015-0009 5/2010
 EP 001206015-0010 5/2010
 EP 2243396 A2 10/2010
 EP 2353459 A1 8/2011
 FR 2845878 A1 * 4/2004 A47B 77/04
 GB 2134884 A * 8/1984 B65D 25/06
 WO 9005354 A1 5/1990
 WO DM/064837 11/2003

* cited by examiner

Fig. 1

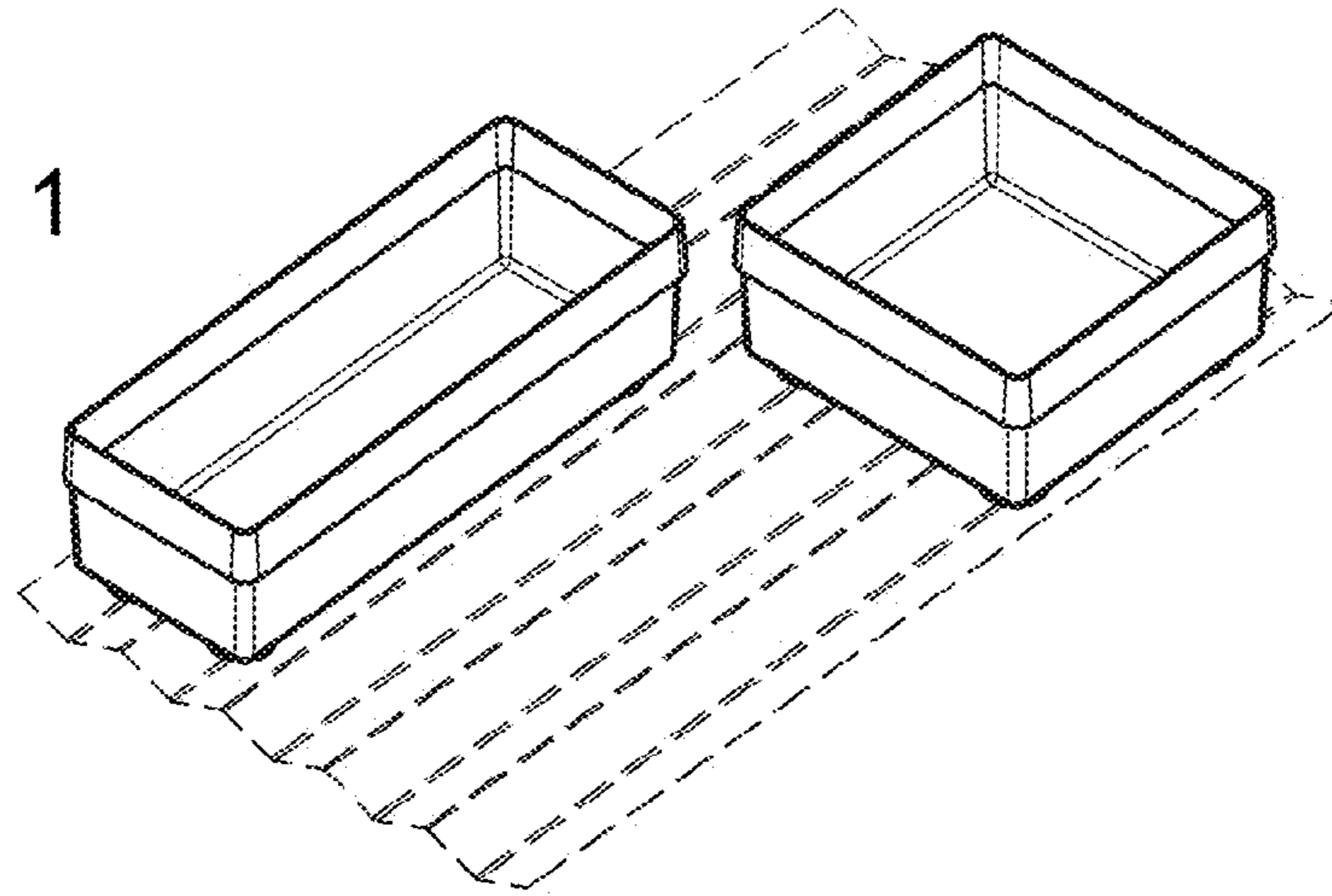


Fig. 2

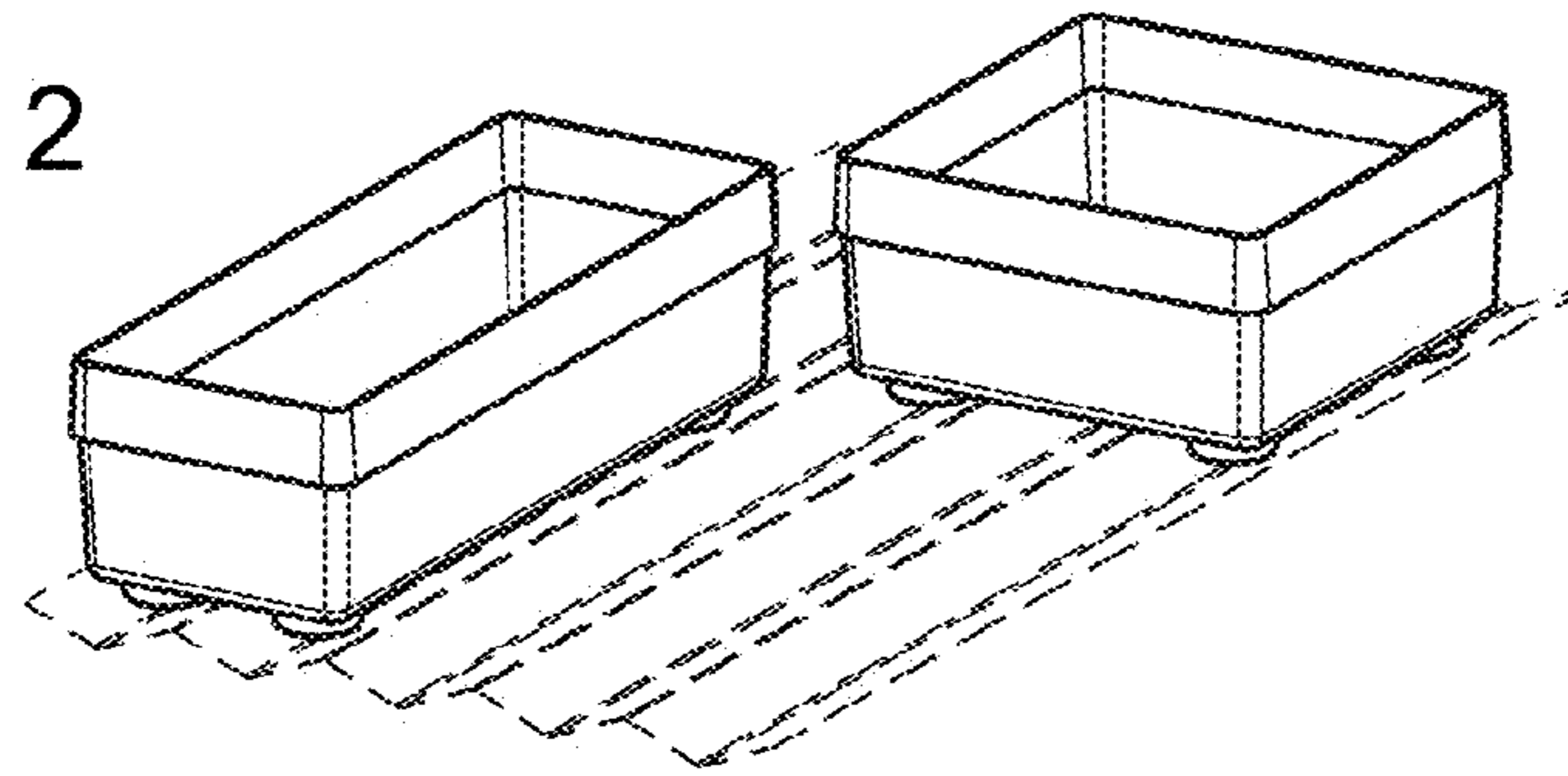


Fig. 3

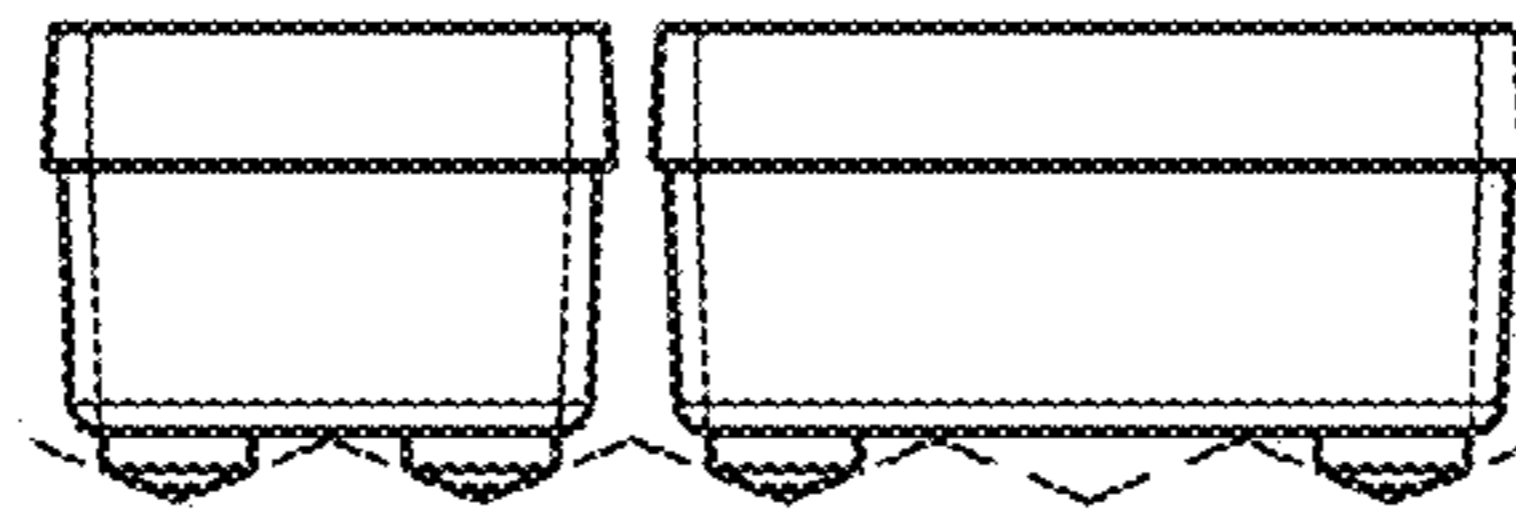


Fig. 4

