

US00D694046S

(12) **United States Design Patent**  
**Walter**

(10) **Patent No.:** **US D694,046 S**  
(45) **Date of Patent:** **\*\* Nov. 26, 2013**

(54) **SHELF BOARD FOR PRESENTATION AND SALES EQUIPMENT**

(75) Inventor: **Herbert Walter**, Müllheim (DE)

(73) Assignee: **Visplay International AG**, MuttENZ (CH)

(\*\*) Term: **14 Years**

(21) Appl. No.: **29/400,053**

(22) Filed: **Aug. 23, 2011**

(30) **Foreign Application Priority Data**

Feb. 24, 2011 (CH) ..... 137 782

(51) **LOC (9) Cl.** ..... **06-06**

(52) **U.S. Cl.**  
USPC ..... **D6/705**

(58) **Field of Classification Search**  
USPC ..... D6/509-511, 396-397, 406.4, 672-673,  
D6/675-675.1, 702, 704-705; D19/75, 86,  
D19/90, 91-92; 211/13.1, 10-12, 44, 49.1,  
211/50, 71.01, 86.01, 87.01, 88.01;  
206/214-215, 371  
See application file for complete search history.

(56) **References Cited**

**U.S. PATENT DOCUMENTS**

2,459,443 A \* 1/1949 Mabry ..... 108/44  
D248,106 S \* 6/1978 Moses ..... D19/26  
D258,119 S \* 2/1981 du Cret ..... D9/457  
D288,504 S \* 3/1987 Wright et al. .... D6/511

D294,270 S \* 2/1988 Chan Chi Hung ..... D19/88  
4,938,442 A \* 7/1990 Mastrodicasa ..... 248/250  
D329,547 S \* 9/1992 Hageman ..... D6/406.4  
D335,227 S \* 5/1993 Lapsker et al. .... D6/449  
D402,836 S \* 12/1998 Waddell ..... D6/509  
D510,389 S \* 10/2005 Shamoon ..... D19/88  
D619,352 S \* 7/2010 Antler ..... D3/205  
D627,769 S \* 11/2010 Kumagai ..... D14/248  
D627,773 S \* 11/2010 Paek ..... D14/315  
D634,570 S \* 3/2011 Lin ..... D6/511  
D636,818 S \* 4/2011 Leung ..... D19/88  
D660,059 S \* 5/2012 Nilsson ..... D6/511  
D672,163 S \* 12/2012 Wells et al. .... D6/406.3  
D676,694 S \* 2/2013 Daily ..... D6/707.22

\* cited by examiner

*Primary Examiner* — Kelley Donnelly

(74) *Attorney, Agent, or Firm* — McCarter & English, LLP

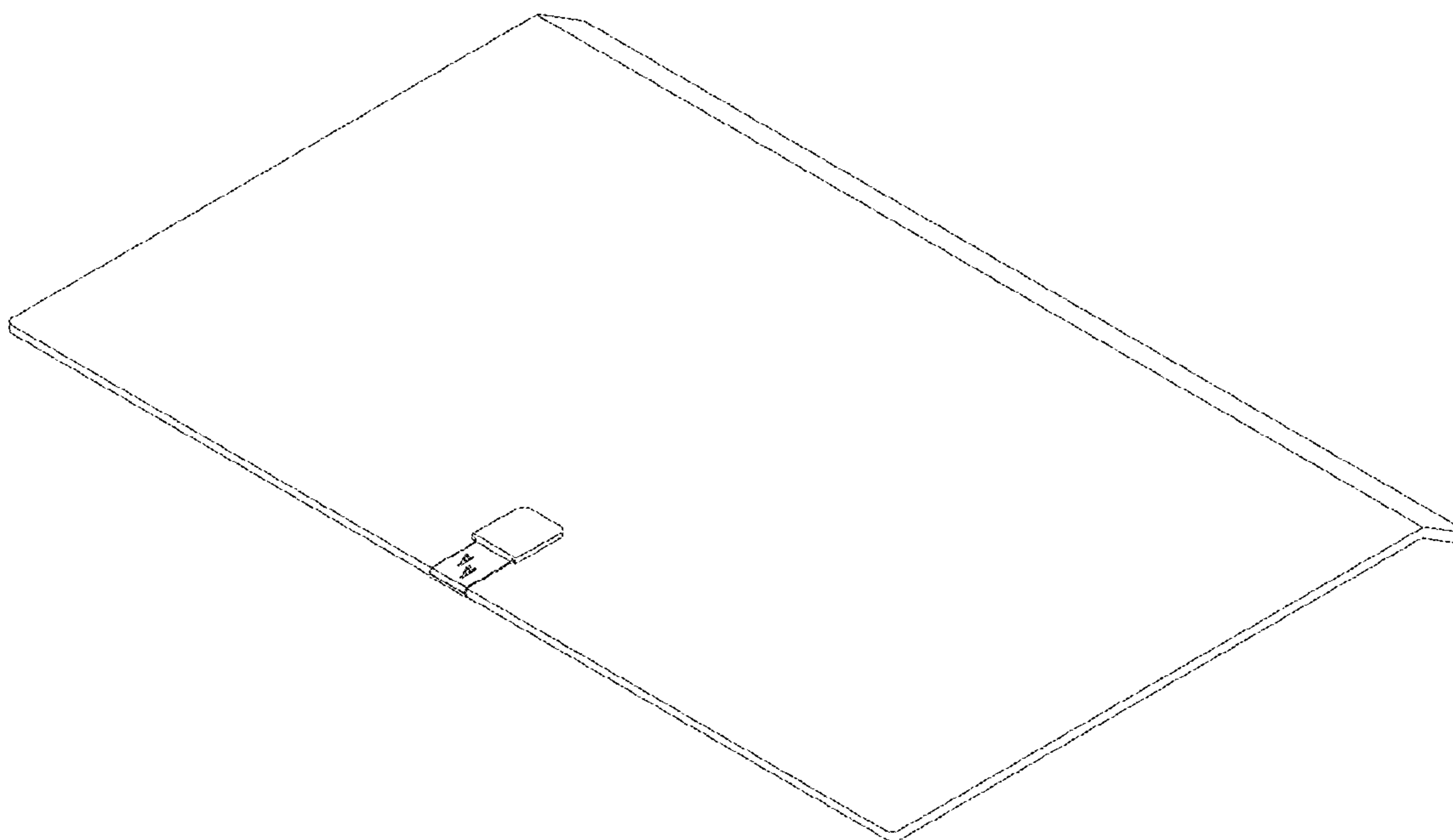
(57) **CLAIM**

The ornamental design for a shelf board for presentation and sales equipment, as shown and described.

**DESCRIPTION**

FIG. 1 is a front top perspective view of a first embodiment of a shelf board for presentation and sales equipment;  
FIG. 2 is a rear top perspective view thereof;  
FIG. 3 is a rear bottom perspective view thereof;  
FIG. 4 is a front bottom perspective view thereof;  
FIG. 5 is a front top perspective view of a second embodiment of a shelf board for presentation and sales equipment;  
FIG. 6 is a rear top perspective view thereof;  
FIG. 7 is a rear bottom perspective view thereof; and,  
FIG. 8 is a front bottom perspective view thereof.

**1 Claim, 4 Drawing Sheets**



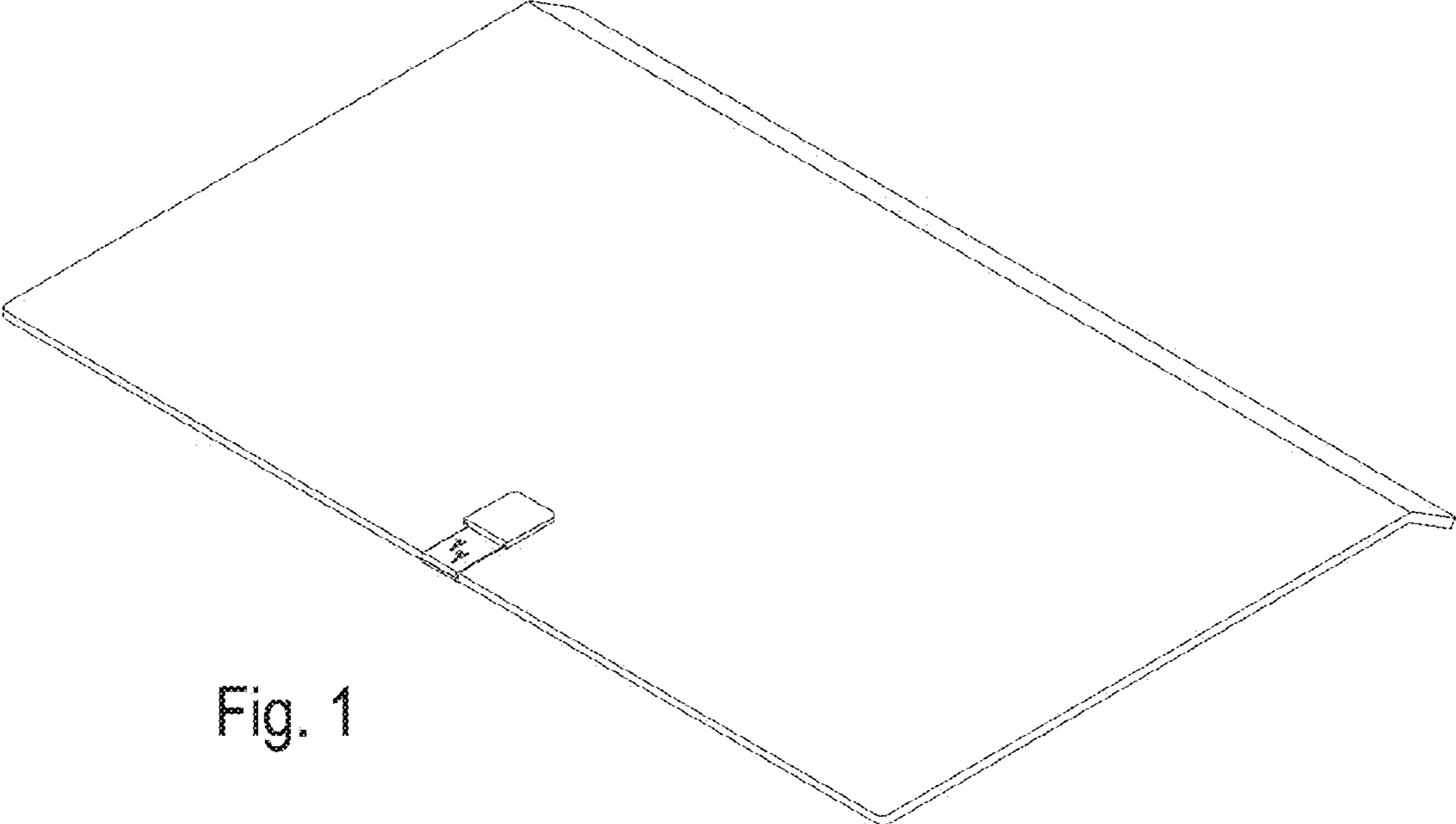


Fig. 1

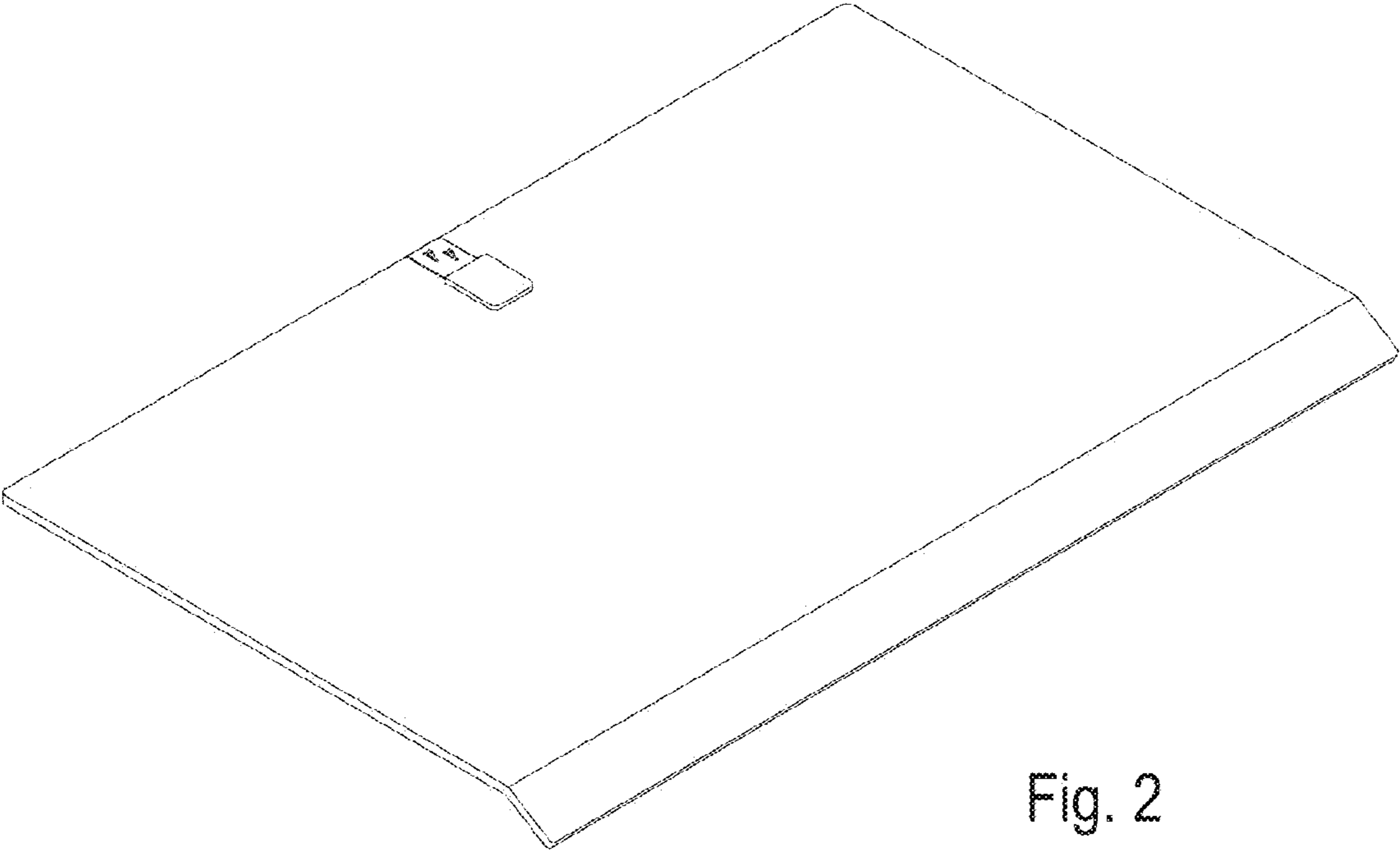


Fig. 2

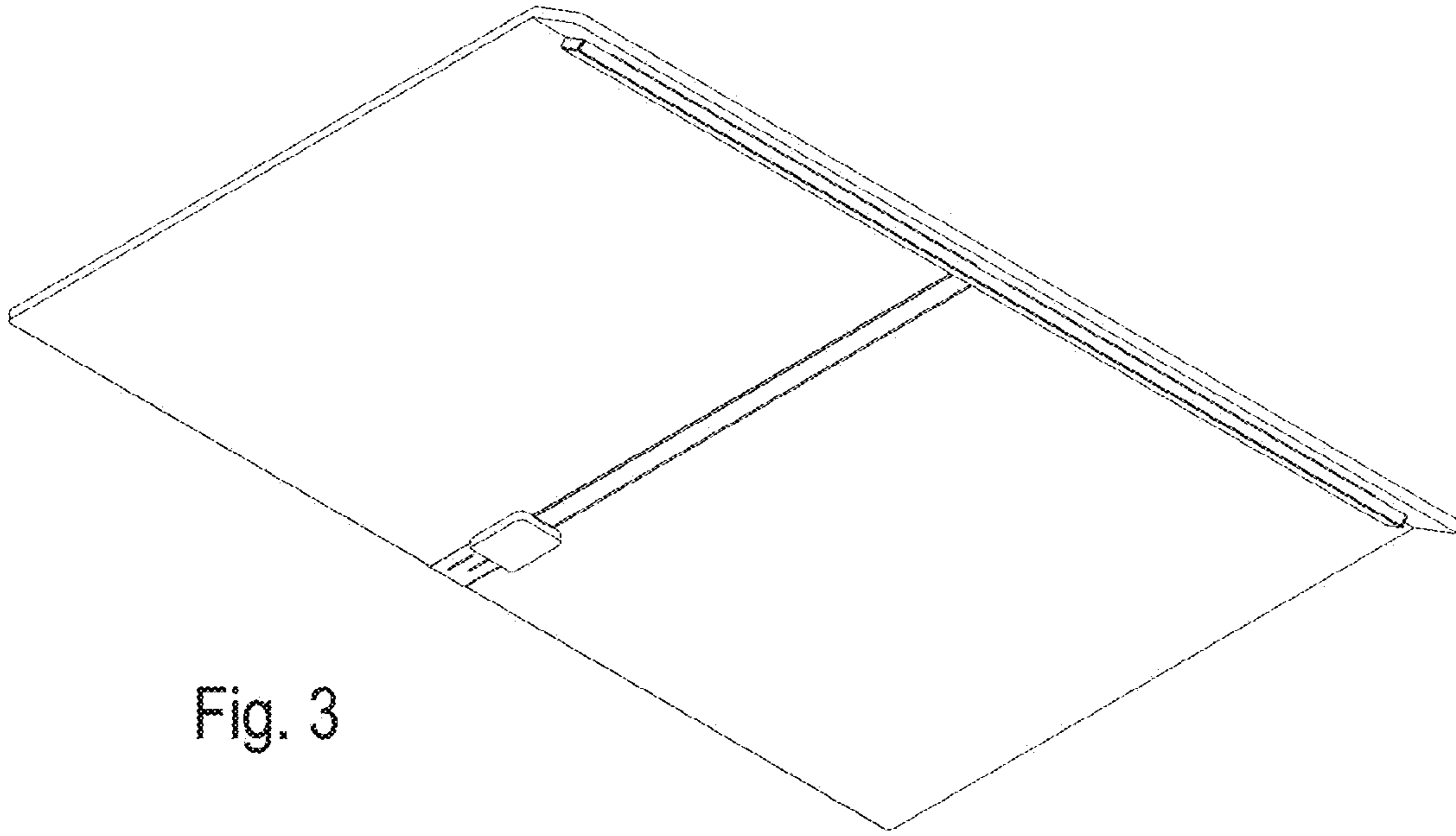


Fig. 3

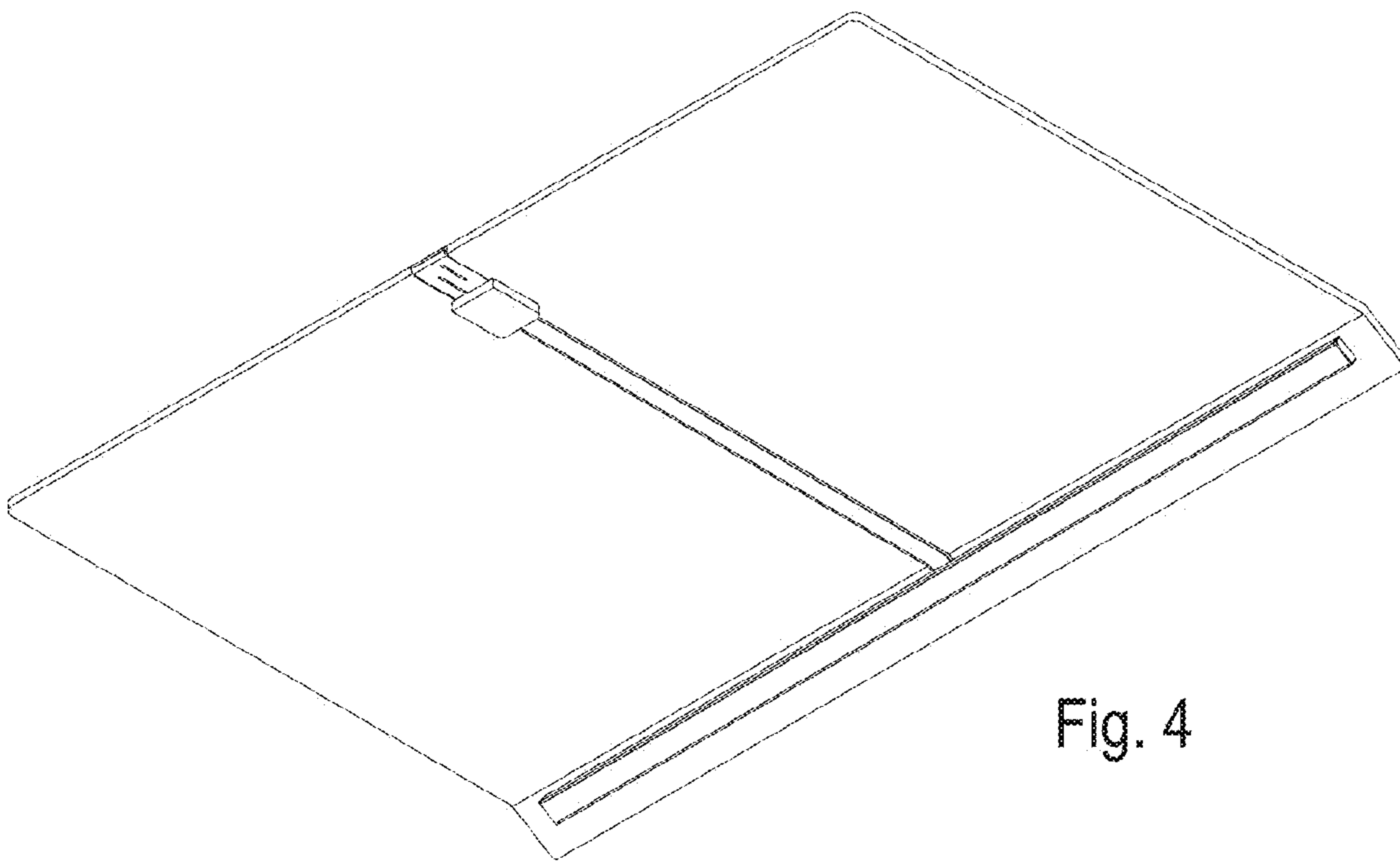


Fig. 4

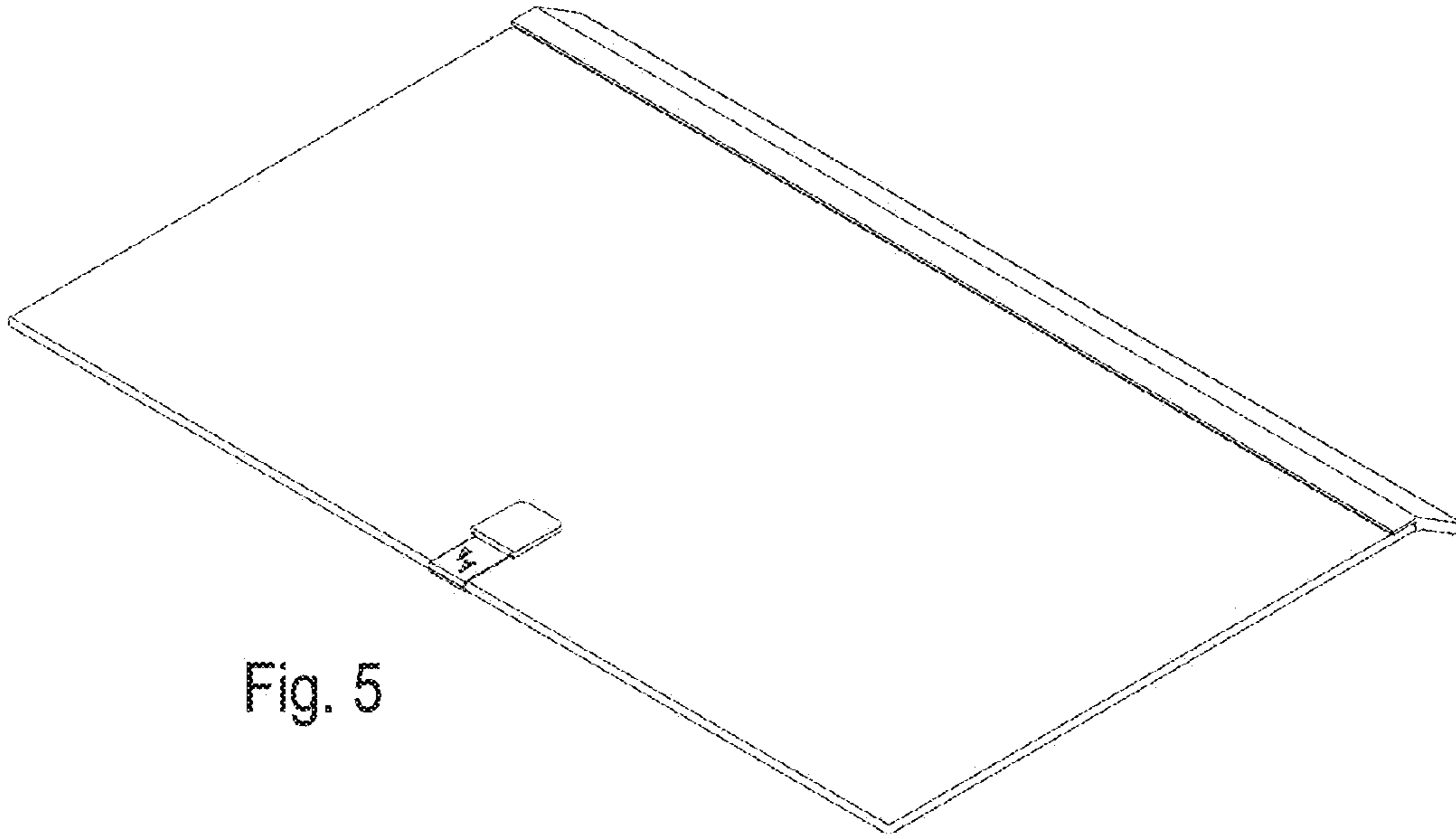


Fig. 5

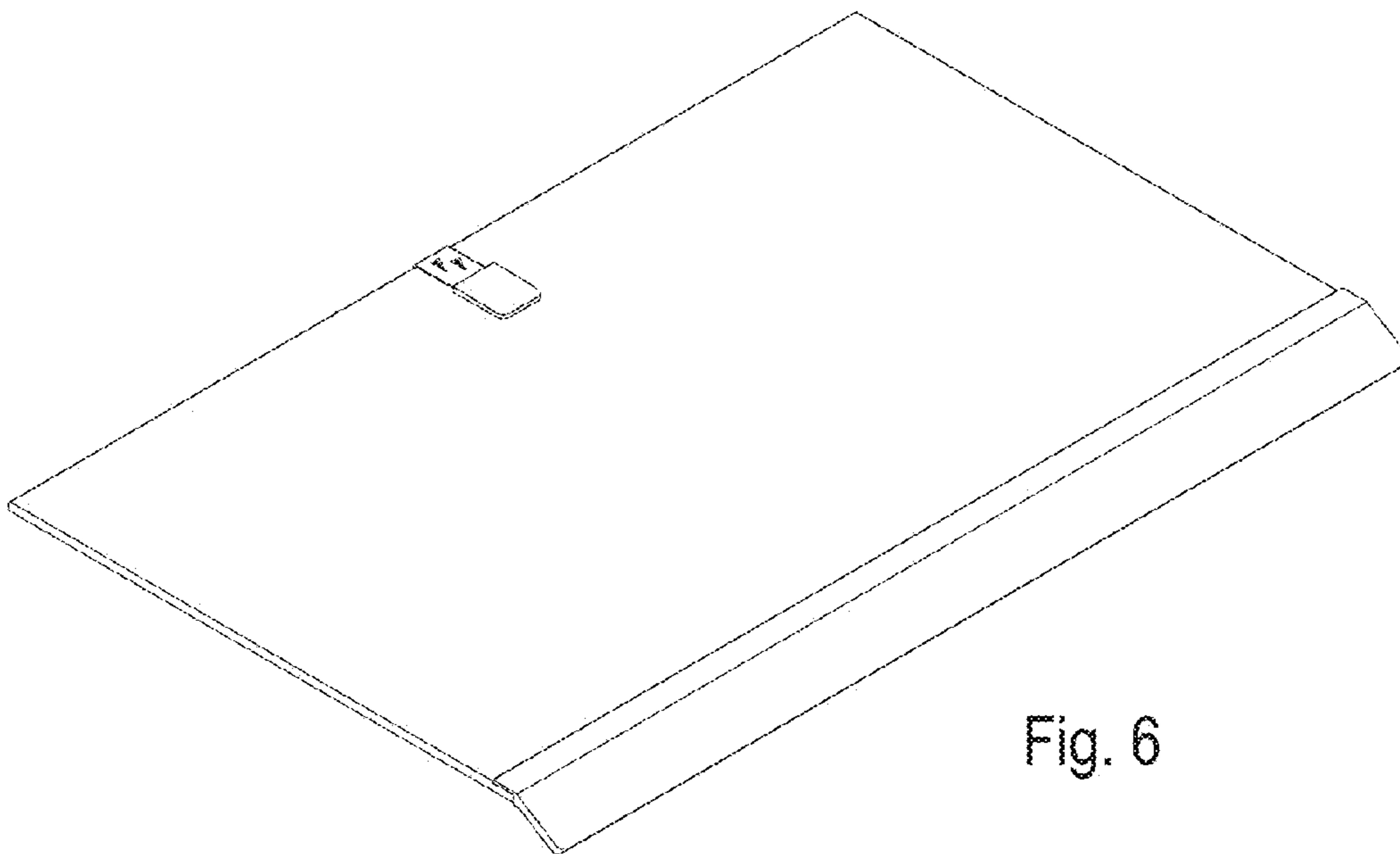


Fig. 6

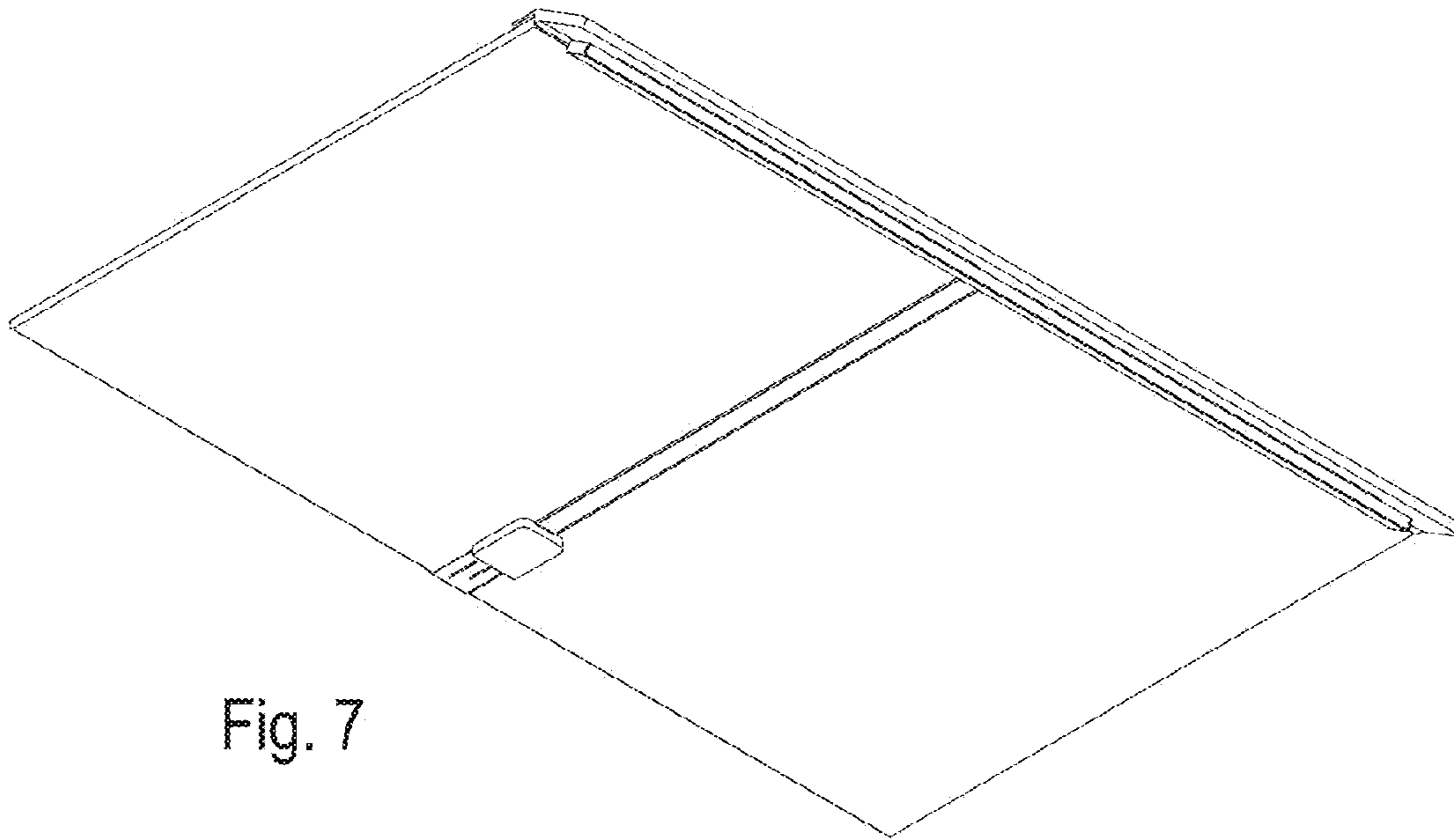


Fig. 7

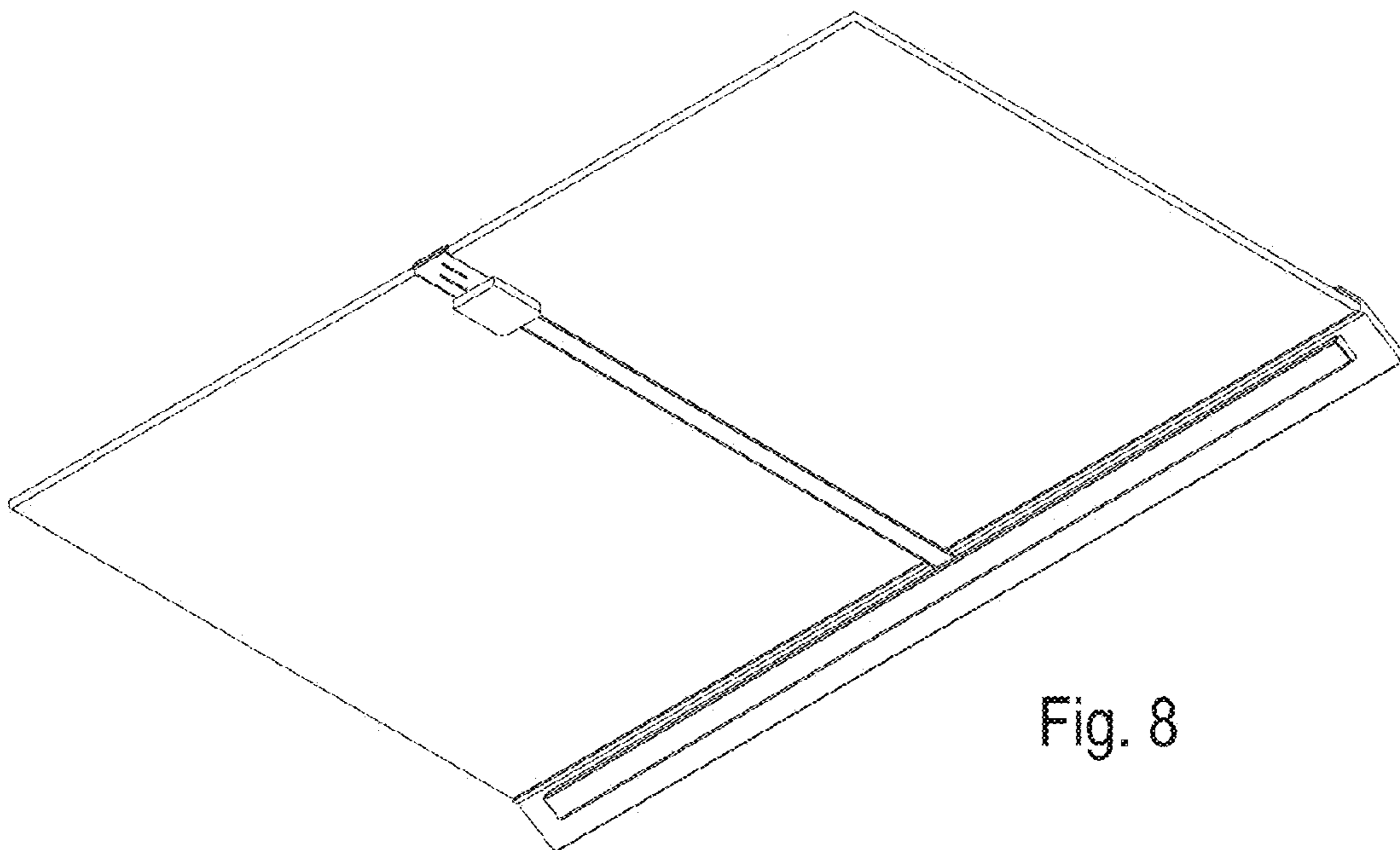


Fig. 8