



US00D694042S

(12) **United States Design Patent**  
**Yiannaki**

(10) **Patent No.:** **US D694,042 S**

(45) **Date of Patent:** **\*\* Nov. 26, 2013**

(54) **SIDE SUPPORT**

(75) Inventor: **Andrew Costas Yiannaki**, Raleigh, NC  
(US)

(73) Assignee: **Nomaco Inc.**, Zebulon, NC (US)

(\*\*) Term: **14 Years**

(21) Appl. No.: **29/368,030**

(22) Filed: **Aug. 17, 2010**

(51) **LOC (9) Cl.** ..... **06-09**

(52) **U.S. Cl.**  
USPC ..... **D6/606**

(58) **Field of Classification Search**  
USPC ..... D6/606, 605, 604, 595, 596, 601, 323,  
D6/570, 572, 553, 554; 5/739, 253,  
5/716-721; D8/395, 394, 396, 373, 382,  
D8/372; 248/316.7, 74.2; 211/68, 60.1, 13,  
211/70.6, 63, 66, 69.1, 89.01, 113  
See application file for complete search history.

(56) **References Cited**

**U.S. PATENT DOCUMENTS**

554,580 A 2/1896 Stonewall  
676,573 A \* 6/1901 Bowers ..... 211/70.6  
(Continued)

**FOREIGN PATENT DOCUMENTS**

EP 1674003 B1 5/2013  
GB 2095545 A 10/1982  
(Continued)

**OTHER PUBLICATIONS**

Non-final Office Action for U.S. Appl. No. 29/398,647 mailed May 8,  
2012, 6 pages.

(Continued)

*Primary Examiner* — Lucy Lieberman

(74) *Attorney, Agent, or Firm* — Withrow & Terranova,  
PLLC

(57) **CLAIM**  
The ornamental design for side support, as shown and  
described.

**DESCRIPTION**

The present application is related to co-pending U.S. Design  
patent application Ser. No. 29/368,034, entitled “Side Sup-  
port,” filed Aug. 17, 2010, which is hereby incorporated by  
reference in its entirety.

The present application is also related to co-pending U.S.  
Design patent application Ser. No. 29/368,039, entitled “Side  
Support,” filed Aug. 17, 2010, which is hereby incorporated  
by reference in its entirety.

The present application is also related to co-pending U.S.  
Design patent application Ser. No. 29/368,046, entitled “Side  
Support,” filed Aug. 17, 2010, which is hereby incorporated  
by reference in its entirety.

FIG. 1 is a top perspective view of a first embodiment of a side  
support showing my new design, which may be used as a side  
support in bedding or cushions as an example;

FIG. 2 is a front view of the side support of FIG. 1, the rear  
view is a mirror image thereto;

FIG. 3 is a top view of the side support of FIG. 1;

FIG. 4 is a bottom view of the side support of FIG. 1;

FIG. 5 is a left side view of the side support of FIG. 1, and a  
right side view is identical thereto;

FIG. 6 is a top perspective view of a second embodiment of  
the side support, which may be used as a side support in  
bedding or cushions as an example;

FIG. 7 is a front view of the side support of FIG. 6, the rear  
view is a mirror image thereto;

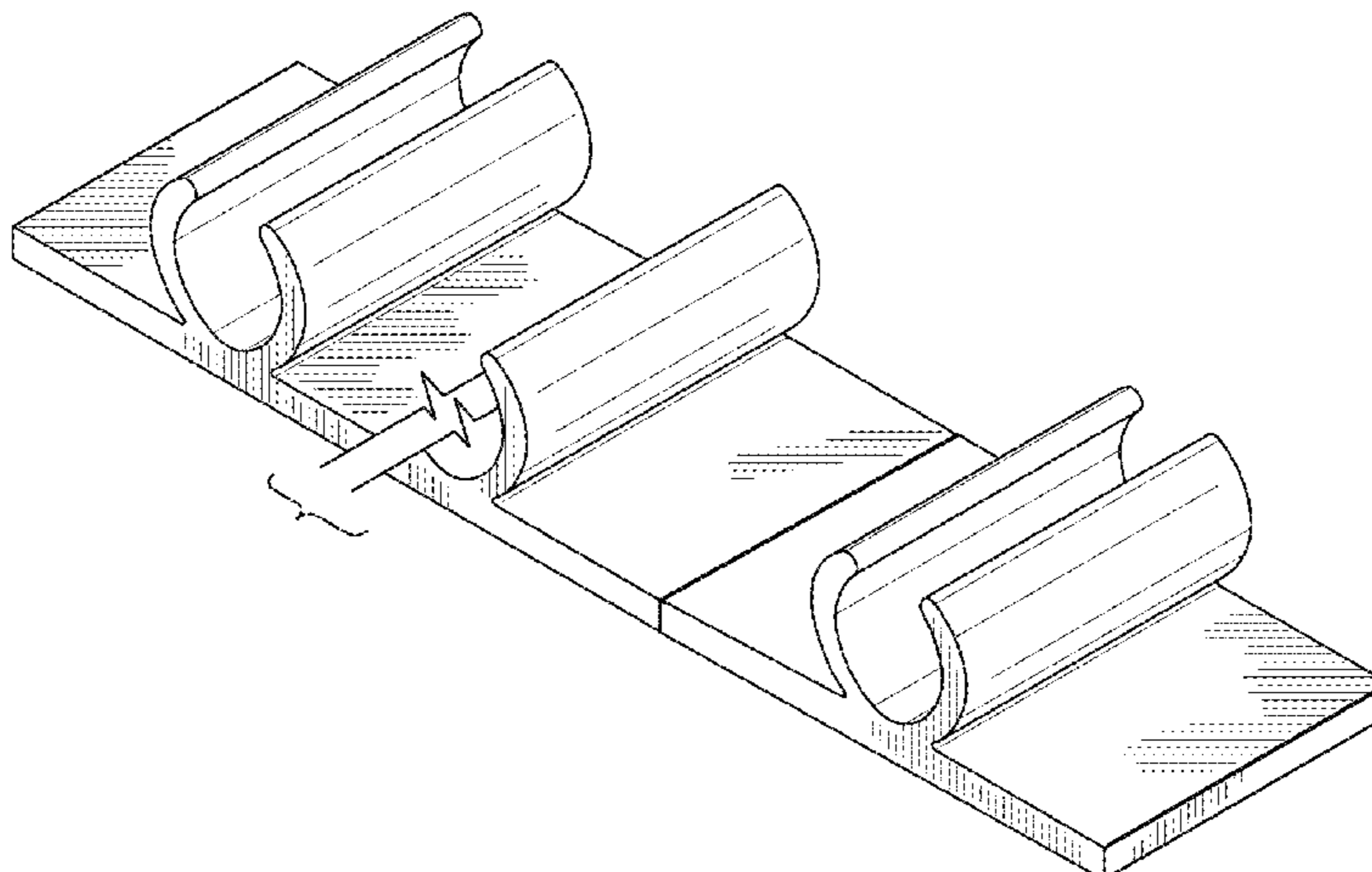
FIG. 8 is a top view of the side support of FIG. 6;

FIG. 9 is a bottom view of the side support of FIG. 6; and,

FIG. 10 is a left side view of the side support of FIG. 6, and a  
right side view is identical thereto.

Both embodiments of the claimed design are shown with a  
symbolic break. The appearance of any portion of the article  
between the break lines forms no part of the claimed design.

**1 Claim, 10 Drawing Sheets**



(56)

## References Cited

## U.S. PATENT DOCUMENTS

1,371,362 A	3/1921	Giese	
1,429,776 A *	9/1922	Robinson .....	248/74.2
1,979,566 A	11/1934	Morse	
1,986,255 A	1/1935	Durfey et al.	
D105,428 S	7/1937	Bahr	
D136,717 S	11/1943	Moore et al.	
2,337,525 A	12/1943	Peik	
2,539,058 A	1/1951	Burns	
2,569,021 A	9/1951	Rozanski	
2,615,577 A *	10/1952	Bartleman .....	211/70.6
2,630,145 A	3/1953	Stevens	
2,826,769 A *	3/1958	Drews .....	5/717
2,940,089 A	6/1960	Koenigsberg	
2,978,714 A	4/1961	Bechik	
3,046,574 A	7/1962	Erenberg et al.	
3,082,438 A	3/1963	Nachman, Jr.	
3,263,533 A	8/1966	Carlson	
3,293,671 A	12/1966	Griffin	
3,318,224 A *	5/1967	Bohanon .....	454/228
3,749,301 A	7/1973	Peckar	
3,775,526 A	11/1973	Gilmore	
3,822,426 A *	7/1974	Mistarz .....	5/717
3,848,283 A	11/1974	Ikeda	
3,894,706 A *	7/1975	Mizusawa .....	248/68.1
D240,681 S *	7/1976	Granatelli .....	D6/526
D241,314 S *	9/1976	Hug .....	D8/395
D245,747 S *	9/1977	Ikeda .....	D6/606
4,121,005 A	10/1978	Roberts	
4,181,992 A	1/1980	Blake	
4,194,255 A	3/1980	Poppe	
4,207,636 A	6/1980	Ceriani	
4,275,473 A	6/1981	Poirier	
D273,659 S *	5/1984	Sakaguchi .....	D8/396
4,451,946 A	6/1984	Stumpf	
4,821,988 A *	4/1989	Jimenez .....	248/227.3
4,907,309 A	3/1990	Breckle	
4,915,662 A	4/1990	Kent	
D307,688 S	5/1990	Schaefer	
D307,690 S	5/1990	Raburn	
D310,313 S	9/1990	Afeyan	
4,998,310 A	3/1991	Olson	
5,005,793 A *	4/1991	Shillington .....	248/231.81
5,039,366 A	8/1991	Strattman	
5,040,255 A	8/1991	Barber, Jr.	
5,048,167 A	9/1991	Heffley et al.	
D322,907 S	1/1992	Raburn	
5,115,524 A	5/1992	Antosko	
5,133,116 A	7/1992	Wagner et al.	
5,195,197 A	3/1993	Gutierrez et al.	
5,231,718 A	8/1993	Blaha et al.	
5,239,715 A	8/1993	Wagner	
5,398,820 A *	3/1995	Kiss .....	211/13.1
5,415,370 A	5/1995	Valiulis	
D363,016 S *	10/1995	Sippelle et al. ....	D8/395
5,456,437 A *	10/1995	Chander et al. ....	248/316.7
5,462,212 A *	10/1995	Hertel, Jr. ....	224/570
5,467,488 A	11/1995	Wagner	
5,469,590 A	11/1995	Simon	
5,491,852 A	2/1996	Maucher	
5,537,699 A	7/1996	Bonaddio et al.	
D376,309 S *	12/1996	Takai .....	D8/380
5,642,557 A *	7/1997	Clews .....	24/339
5,687,439 A	11/1997	Wagner	
5,705,252 A	1/1998	Lea et al.	
5,724,686 A	3/1998	Neal	
5,743,497 A	4/1998	Michael	
5,756,022 A	5/1998	Siegel et al.	
5,787,532 A	8/1998	Langer et al.	
5,792,309 A	8/1998	Eto	
5,815,865 A	10/1998	Washburn et al.	
5,861,205 A	1/1999	Murata et al.	
D406,051 S *	2/1999	Ross .....	D8/395
5,924,682 A	7/1999	Bullard	
D413,035 S *	8/1999	Weterrings et al. ....	D6/572
5,987,678 A	11/1999	Ayers	
D417,612 S *	12/1999	Jones .....	D8/395
6,003,179 A	12/1999	Farley	
D418,354 S	1/2000	O'Rourke	
6,023,803 A	2/2000	Barman	
6,026,525 A	2/2000	Davis	
6,109,569 A *	8/2000	Sakaida .....	248/75
6,122,787 A	9/2000	Kao	
D432,404 S *	10/2000	Garfinkle .....	D8/395
6,154,908 A	12/2000	Wells	
6,158,071 A	12/2000	Wells	
D436,772 S *	1/2001	Soderstrom .....	D6/509
6,202,238 B1	3/2001	Mossbeck et al.	
6,243,894 B1	6/2001	Kosumsupamala et al.	
6,260,331 B1	7/2001	Stumpf	
6,263,533 B1	7/2001	Dimitry et al.	
6,286,166 B1	9/2001	Henley et al.	
6,295,676 B1	10/2001	Warner	
6,306,235 B1	10/2001	Henderson	
6,315,275 B1	11/2001	Zysman	
D454,740 S *	3/2002	Baggott .....	D6/534
6,353,952 B1	3/2002	Wells	
D456,197 S	4/2002	McClure et al.	
6,370,717 B1	4/2002	Kao	
6,398,199 B1	6/2002	Barber	
D467,117 S	12/2002	Guy	
6,488,031 B1	12/2002	Sells, II	
6,496,993 B2	12/2002	Allen et al.	
6,523,812 B1	2/2003	Spinks et al.	
6,537,405 B1	3/2003	Henderson et al.	
6,568,014 B1	5/2003	Sabalaskey et al.	
6,574,814 B2	6/2003	Collard et al.	
6,612,525 B2 *	9/2003	Bagdi .....	248/71
6,658,682 B1	12/2003	Wells	
6,684,434 B2	2/2004	Ellis et al.	
6,721,981 B1	4/2004	Greenhalgh et al.	
6,772,463 B2	8/2004	Gladney et al.	
6,804,847 B2	10/2004	Grothaus	
6,813,791 B2	11/2004	Mossbeck et al.	
6,826,796 B1	12/2004	Mossbeck	
6,832,397 B2	12/2004	Gaboury et al.	
6,862,763 B2	3/2005	Mossbeck et al.	
6,883,196 B2	4/2005	Barber	
6,898,813 B2	5/2005	Grothaus	
D506,385 S *	6/2005	Brown .....	D8/396
6,954,957 B2	10/2005	Metzger et al.	
6,966,090 B2	11/2005	McClintock et al.	
6,966,091 B2	11/2005	Barber	
7,017,205 B2	3/2006	Gladney	
7,028,352 B2	4/2006	Kramer et al.	
7,036,173 B2 *	5/2006	Gladney .....	5/730
7,044,557 B2	5/2006	Wieland	
7,082,635 B2	8/2006	Barman et al.	
7,093,858 B1 *	8/2006	Russell .....	285/28
7,127,765 B2	10/2006	Ruiz	
7,165,282 B2	1/2007	Watson	
D537,331 S *	2/2007	Hill .....	D8/395
7,178,187 B2	2/2007	Barman et al.	
7,185,379 B2	3/2007	Barman	
7,185,770 B1 *	3/2007	Roten .....	211/70.6
7,194,777 B2	3/2007	Edling et al.	
7,210,181 B1	5/2007	Price	
7,251,847 B2 *	8/2007	Wells .....	5/716
D569,160 S	5/2008	Mossbeck	
D581,715 S *	12/2008	Scheuch .....	D6/606
D583,607 S	12/2008	Hanson et al.	
7,546,648 B2	6/2009	Steffes	
7,597,296 B2 *	10/2009	Conway .....	248/229.16
7,608,782 B2 *	10/2009	Hill .....	174/84 C
7,644,461 B2	1/2010	Lee	
D612,188 S *	3/2010	Yiannaki .....	D6/606
7,685,664 B2	3/2010	Stolpmann et al.	
7,805,790 B2 *	10/2010	DeMoss .....	5/716
7,841,031 B2 *	11/2010	Rawls-Meehan .....	5/719
7,845,035 B2	12/2010	Letton et al.	
7,845,036 B2 *	12/2010	Rinchetti .....	5/739
7,865,988 B2	1/2011	Koughan et al.	
7,870,626 B2	1/2011	Antinori	
D636,622 S	4/2011	Quinter et al.	
D640,535 S *	6/2011	Austro .....	D8/382

(56)

References Cited

U.S. PATENT DOCUMENTS

D642,413	S	8/2011	Rinehart	
D642,847	S	8/2011	Rinehart	
7,992,712	B2	8/2011	Rosland	
8,001,638	B1	8/2011	Quinter et al.	
D648,211	S *	11/2011	Weaver et al.	D8/396
D653,895	S	2/2012	Reisenhus	
D665,449	S *	8/2012	Guirlinger	D19/83
8,250,689	B2	8/2012	Gladney	
8,356,372	B2	1/2013	Smalling et al.	
2002/0069462	A1	6/2002	Gaboury et al.	
2003/0074736	A1	4/2003	Grothaus	
2003/0079284	A1	5/2003	Gaboury et al.	
2003/0173814	A1	9/2003	Wieland et al.	
2004/0128761	A1	7/2004	Gaboury et al.	
2004/0128773	A1	7/2004	Barber	
2004/0133988	A1	7/2004	Barber	
2004/0182802	A1 *	9/2004	Paul	211/75
2004/0187217	A1	9/2004	Barman et al.	
2004/0261186	A1	12/2004	Gladney	
2005/0015884	A1	1/2005	Conaway et al.	
2005/0028275	A1	2/2005	Hooper, Jr.	
2005/0204475	A1	9/2005	Schmitz et al.	
2005/0246839	A1	11/2005	Niswonger	
2005/0251920	A1	11/2005	Ahn	
2005/0262642	A1	12/2005	Miller	
2006/0031995	A1	2/2006	Barkhouse	
2006/0042016	A1	3/2006	Barman et al.	
2006/0260062	A1	11/2006	Barman et al.	
2007/0118987	A1	5/2007	Gladney et al.	
2008/0040861	A1	2/2008	Ootayopas	
2008/0115288	A1	5/2008	Poulos	
2009/0000030	A1	1/2009	Hicks et al.	
2009/0011203	A1	1/2009	Mock et al.	
2009/0013476	A1	1/2009	Rinchetti	
2009/0025150	A1	1/2009	Smalling et al.	
2009/0031502	A1	2/2009	Berrcoccal et al.	
2009/0100606	A1	4/2009	An	
2009/0106894	A1	4/2009	Yeo	
2009/0139033	A1	6/2009	Gladney	
2009/0294623	A1	12/2009	Pinchuk	
2010/0071136	A1	3/2010	Weber	
2010/0077552	A1	4/2010	Malikhin et al.	
2010/0319137	A1	12/2010	Witherell et al.	
2010/0325806	A1	12/2010	Letton et al.	
2011/0049327	A1	3/2011	Young et al.	
2011/0061163	A1	3/2011	Lee	
2011/0179579	A1	7/2011	Henderson et al.	
2011/0197368	A1	8/2011	Tarazona De La Asuncion	
2012/0167312	A1 *	7/2012	Sobran et al.	5/739
2012/0180224	A1 *	7/2012	DeMoss et al.	5/717
2012/0284928	A1	11/2012	Henderson et al.	

FOREIGN PATENT DOCUMENTS

GB	2154443	A	9/1985
WO	2009014657	A1	1/2009
WO	2010117352	A1	10/2010

OTHER PUBLICATIONS

Non-final Office Action for U.S. Appl. No. 13/418,649 mailed May 15, 2012, 15 pages.  
 Notice of Allowance for U.S. Appl. No. 29/342,503 mailed Dec. 16, 2009, 6 pages.  
 Notice of Allowance for U.S. Appl. No. 12/455,968 mailed Jul. 23, 2012, 7 pages.  
 "Corner 'S' Tube 4.5 inch Final Spec" Product Specifications, Nomaco Inc., Mar. 2, 2010, 1 page.

"C-Clip 5.0 inch" Product Specifications, Nomaco Inc., Jul. 9, 2009, 3 pages.  
 "Ultra Corner II 5.5 inch" Product Specifications, Nomaco Inc., Mar. 3, 2010, 1 page.  
 "Expandable Grids Made of Ethofoam Brand Polyethylene Foam," Ethafoam, Dec. 1997, 7 pages.  
 Notice of Allowance mailed Dec. 31, 2009 for U.S. Appl. No. 29/342,503, 4 pages.  
 Non-final Office Action mailed Sep. 13, 2011 for U.S. Appl. No. 12/386,584, 18 pages.  
 Non-final Office Action for U.S. Appl. No. 12/386,584 mailed Feb. 3, 2012, 17 pages.  
 Final Office Action mailed Nov. 8, 2010 for U.S. Appl. No. 12/455,968, 13 pages.  
 Non-final Office Action mailed May 26, 2010 for U.S. Appl. No. 12/455,968, 13 pages.  
 Non-final Office Action mailed Oct. 12, 2011 for U.S. Appl. No. 12/455,968, 12 pages.  
 Notice of Allowance mailed May 9, 2012, for U.S. Appl. No. 29/398,649, 8 pages.  
 Notice of Allowance for U.S. Appl. No. 13/418,649 mailed Dec. 12, 2012, 7 pages.  
 Quayle Action for U.S. Appl. No. 29/361,180 mailed Sep. 13, 2012, 11 pages.  
 Notice of Allowance for U.S. Appl. No. 29/361,180 mailed Nov. 27, 2012, 6 pages.  
 Notice of Allowance for U.S. Appl. No. 29/403,050 mailed Sep. 28, 2012, 8 pages.  
 Non-final Office Action for U.S. Appl. No. 12/870,316 mailed Aug. 21, 2012, 12 pages.  
 Notice of Allowance for U.S. Appl. No. 29/398,649 mailed Aug. 29, 2012, 6 pages.  
 Notice of Allowance for U.S. Appl. No. 29/398,647 mailed Aug. 30, 2012, 6 pages.  
 Non-final Office Action for U.S. Appl. No. 12/615,535 mailed Feb. 28, 2013, 14 pages.  
 Non-final Office Action for U.S. Appl. No. 12/694,562 mailed Feb. 28, 2013, 13 pages.  
 Non-final Office Action for U.S. Appl. No. 29/368,046 mailed Mar. 8, 2013, 6 pages.  
 Final Office Action for U.S. Appl. No. 12/870,316 mailed Feb. 13, 2013, 9 pages.  
 Non-final Office Action for U.S. Appl. No. 13/534,068 mailed Jun. 12, 2013, 8 pages.  
 Notice of Allowance for U.S. Appl. No. 29/368,046 mailed Jul. 1, 2013, 8 pages.  
 Advisory Action for U.S. Appl. No. 12/870,316 mailed May 29, 2013, 2 pages.  
 Non-final Office Action for U.S. Appl. No. 12/870,316 mailed Jun. 20, 2013, 9 pages.  
 Non-final Office Action for U.S. Appl. No. 29/368,039 mailed Apr. 25, 2013, 8 pages.  
 Non-final Office Action for U.S. Appl. No. 29/368,034 mailed Apr. 24, 2013, 6 pages.  
 Notice of Allowance and Examiner—Initiated Interview Summary for U.S. Appl. No. 12/615,535 mailed Jul. 17, 2013, 13 pages.  
 Final Office Action for U.S. Appl. No. 29/368,039 mailed Aug. 5, 2013, 6 pages.  
 Non-final Office Action for U.S. Appl. No. 12/694,562 mailed Sep. 11, 2013, 11 pages.  
 Notice of Allowance for U.S. Appl. No. 29/368,039 mailed Sep. 23, 2013, 9 pages.  
 Notice of Allowance for U.S. Appl. No. 29/368,034 mailed Sep. 24, 2013, 15 pages.  
 Non-final Office Action for U.S. Appl. No. 13/534,068 mailed Oct. 3, 2013, 9 pages.

\* cited by examiner

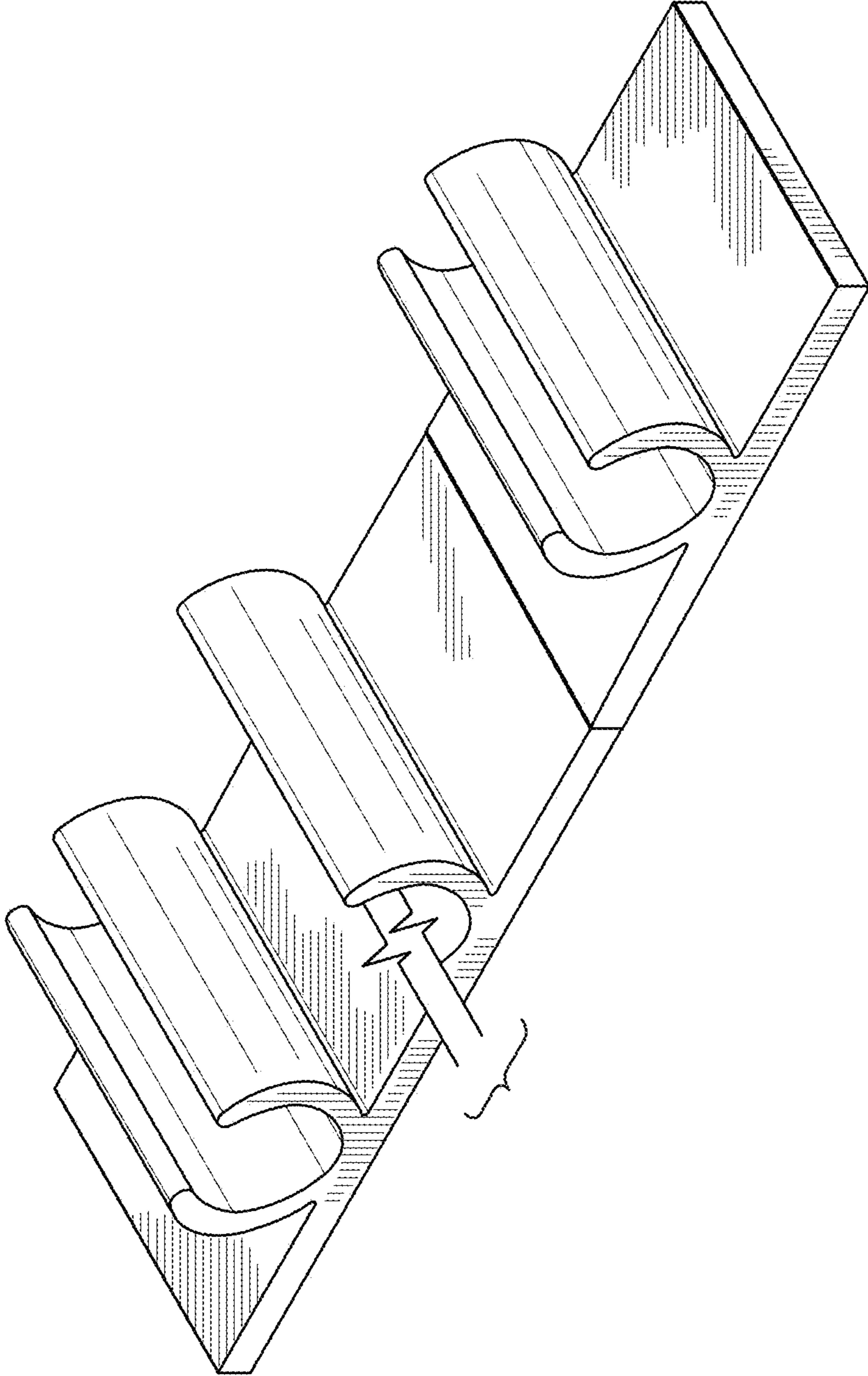


FIG. 1

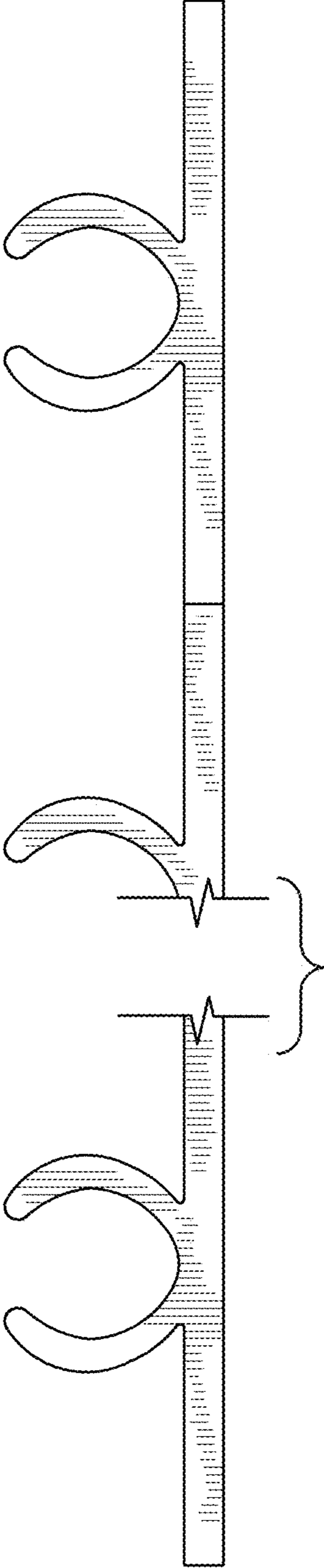


FIG. 2



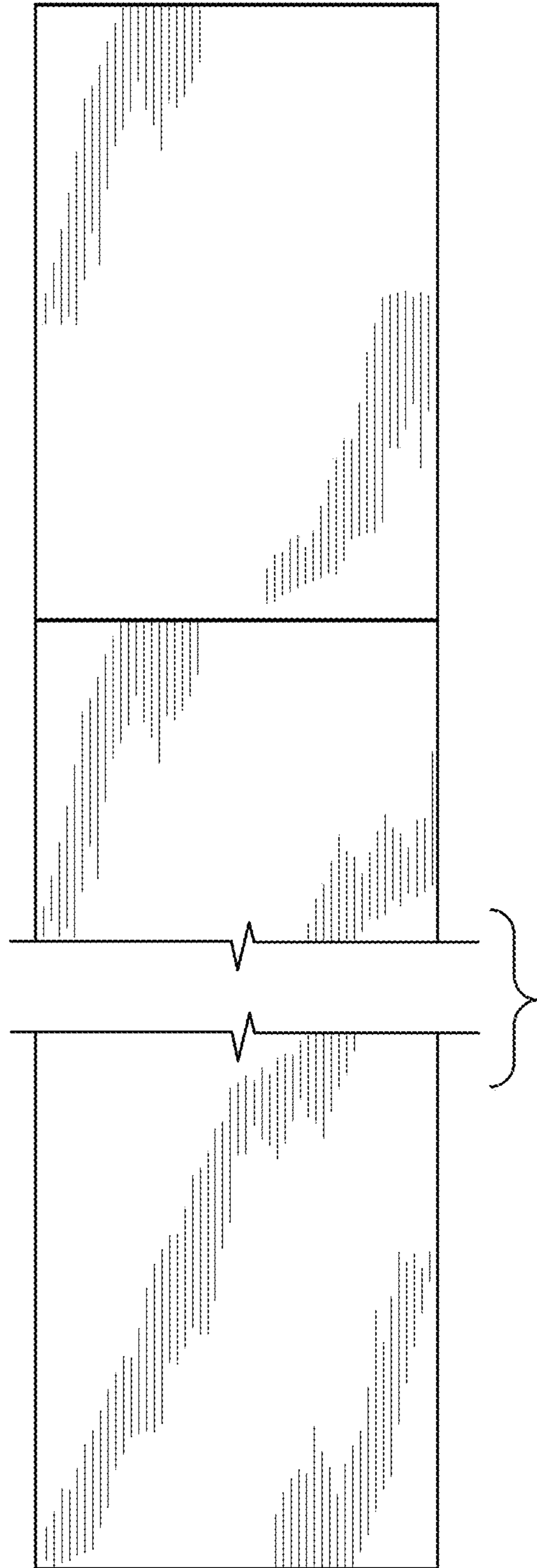
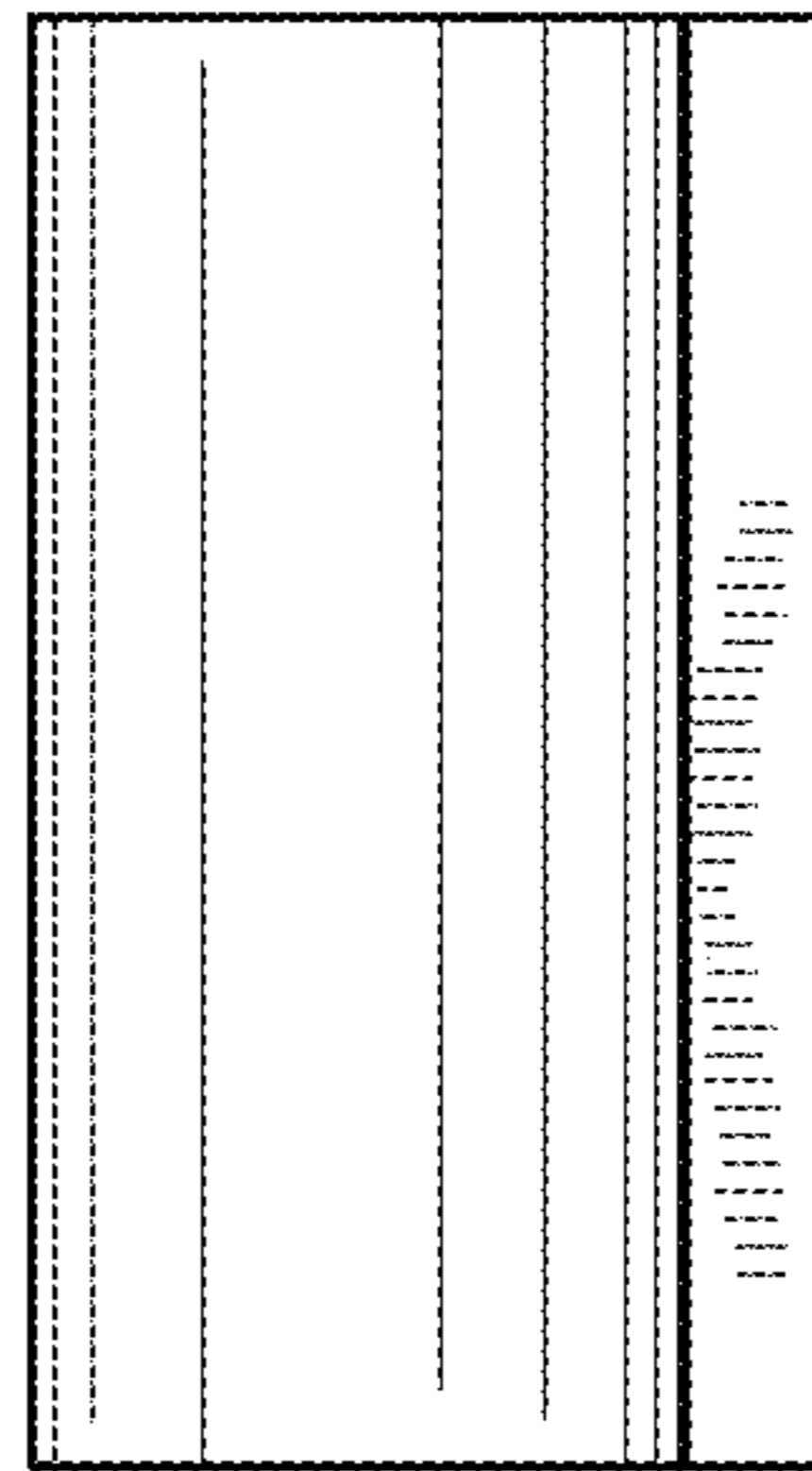


FIG. 4



**FIG. 5**



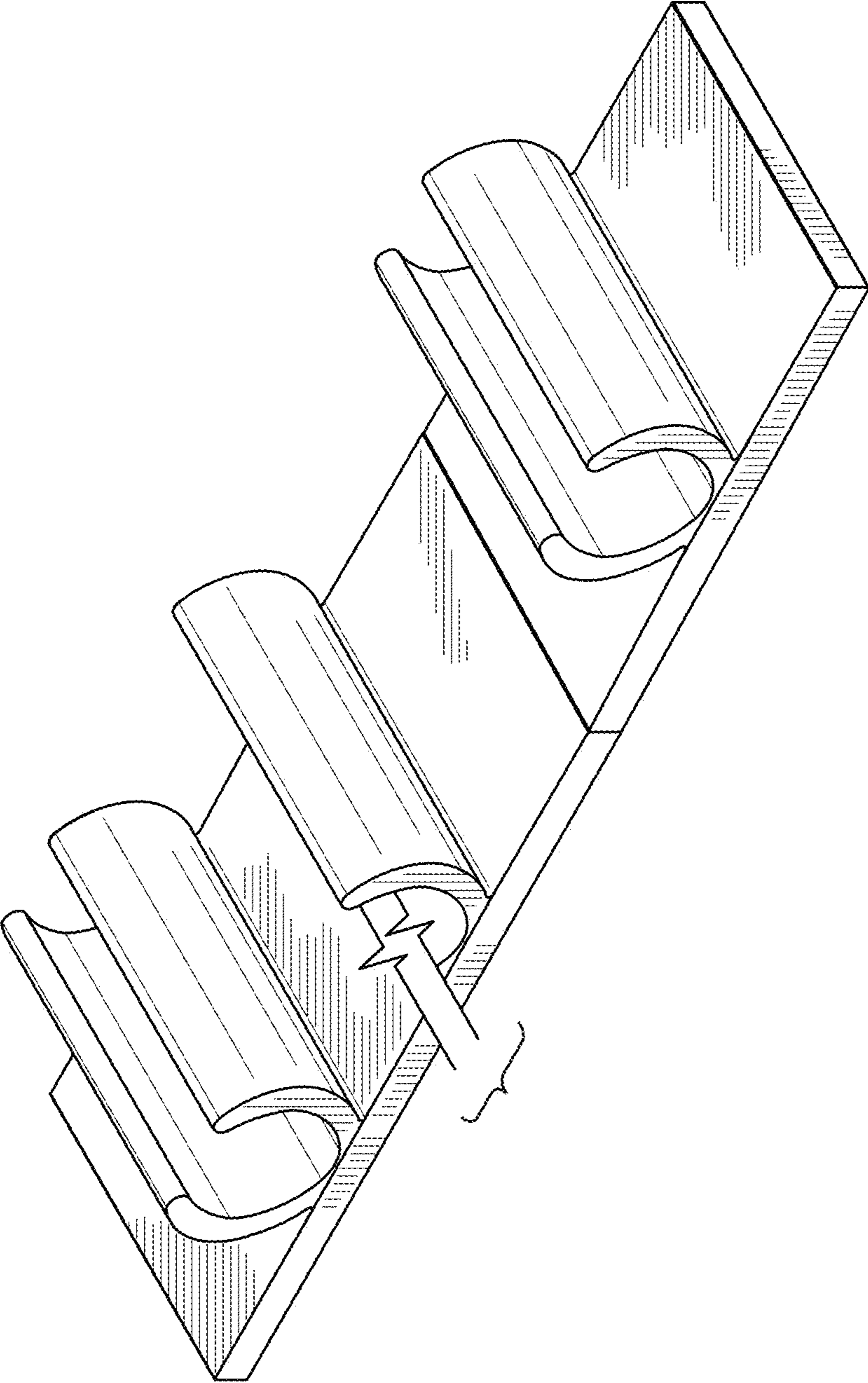


FIG. 6

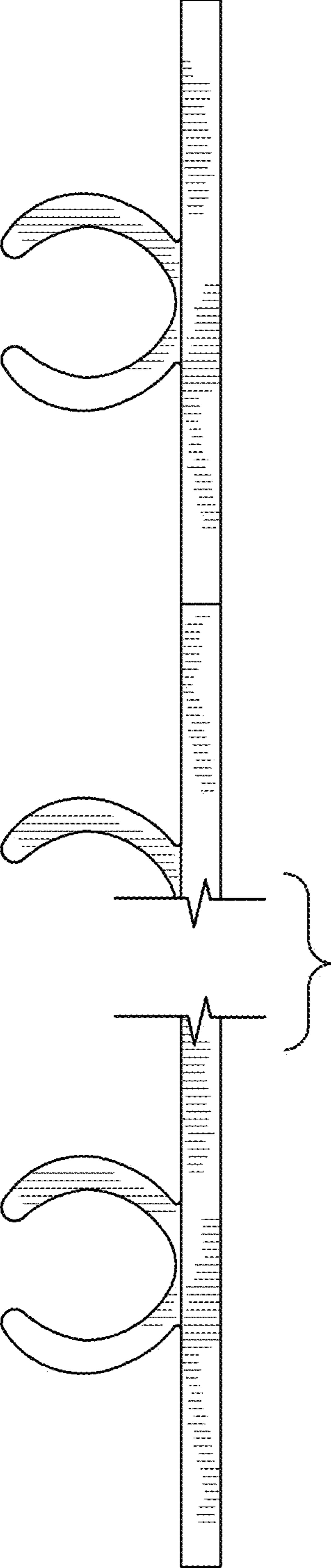


FIG. 7

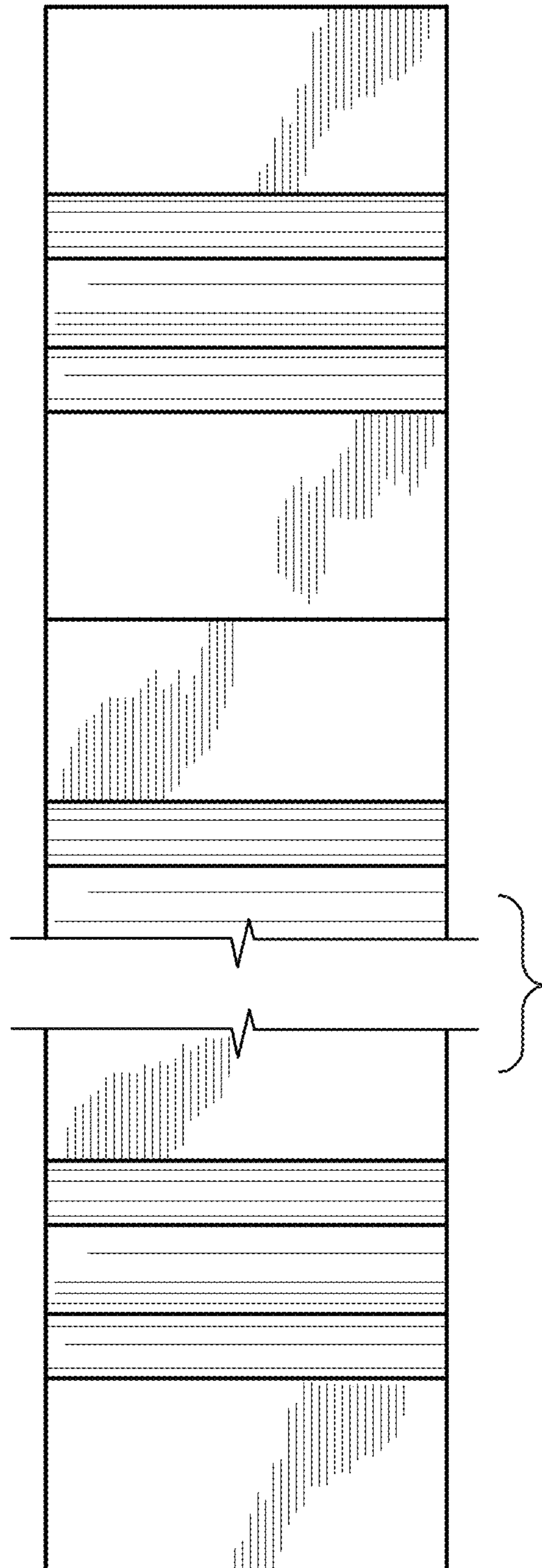


FIG. 8

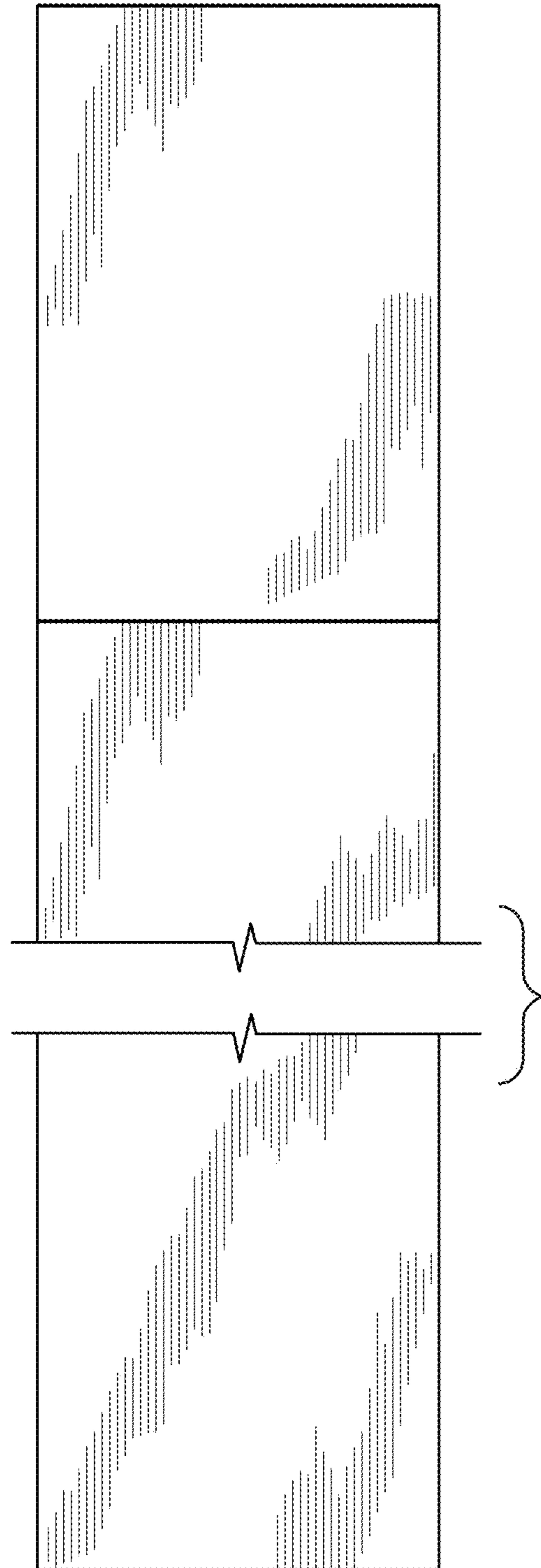
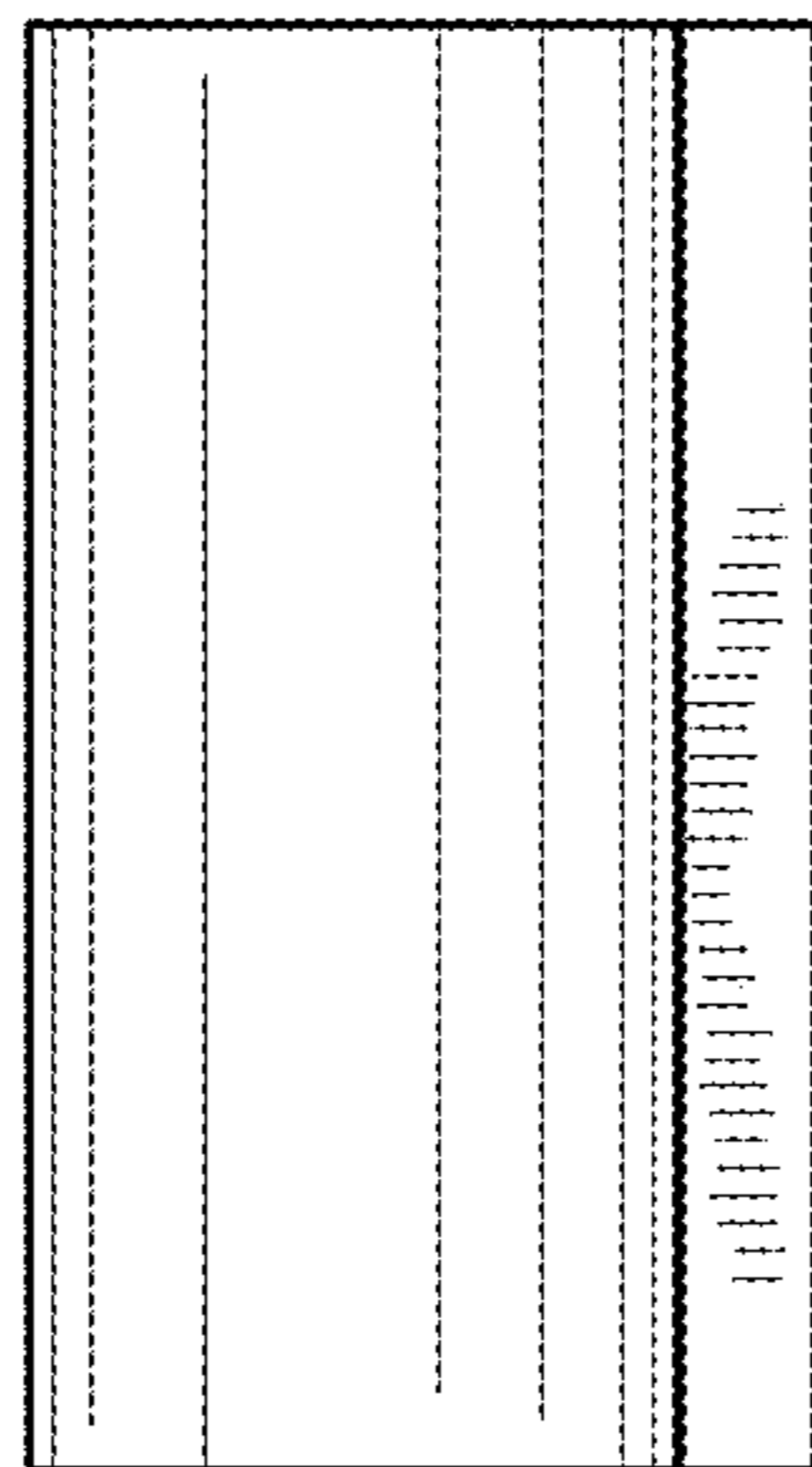


FIG. 9



**FIG. 10**