

US00D694040S

(12) **United States Design Patent**
Di Stefano

(10) **Patent No.:** **US D694,040 S**

(45) **Date of Patent:** **** Nov. 26, 2013**

(54) **WINDER ASSEMBLY FOR CURTAINS AND BLINDS**

(71) Applicant: **Carmelo Joseph Licciardi Di Stefano**,
Broadmeadows (AU)

(72) Inventor: **Carmelo Joseph Licciardi Di Stefano**,
Broadmeadows (AU)

(**) Term: **14 Years**

(21) Appl. No.: **29/451,972**

(22) Filed: **Apr. 10, 2013**

(30) **Foreign Application Priority Data**

Oct. 23, 2012 (AU) 15270/2012

(51) **LOC (9) Cl.** **06-10**

(52) **U.S. Cl.**
USPC **D6/580**

(58) **Field of Classification Search**
USPC D6/575-580; D8/349, 352, 353, 368,
D8/369, 376; 160/84.01-84.08, 107, 108,
160/111, 113, 130, 133, 166.1, 168.1 R,
160/199, 330
See application file for complete search history.

(56) **References Cited**

U.S. PATENT DOCUMENTS

D411,732 S * 6/1999 Chamberlain D8/350
6,138,740 A * 10/2000 Chou 160/319
6,148,893 A * 11/2000 Cadorette 160/176.1 P

6,158,563 A * 12/2000 Welfonder et al. 192/223.3
6,685,592 B2 * 2/2004 Fraczek et al. 475/14
D498,635 S * 11/2004 Allsopp D6/580
D518,326 S * 4/2006 Allsopp D6/580
7,195,052 B2 * 3/2007 Nien et al. 160/321
D543,404 S * 5/2007 Watkins et al. D6/580
D568,083 S * 5/2008 Chou D6/580
D617,596 S * 6/2010 Licciardi Di Stefano D6/580
D634,573 S * 3/2011 Risher D6/580
8,474,509 B2 * 7/2013 Koop 160/321
2005/0247413 A1 * 11/2005 Nien et al. 160/321
2009/0205788 A1 * 8/2009 Cannaverde et al. .. 160/168.1 R
2010/0101740 A1 * 4/2010 Licciardi Di Stefano ... 160/309
2010/0307697 A1 * 12/2010 Perkowitz 160/108
2012/0291965 A1 * 11/2012 Marocco 160/120

* cited by examiner

Primary Examiner — Karen S Acker

(74) *Attorney, Agent, or Firm* — Head, Johnson & Kachigian, P.C.

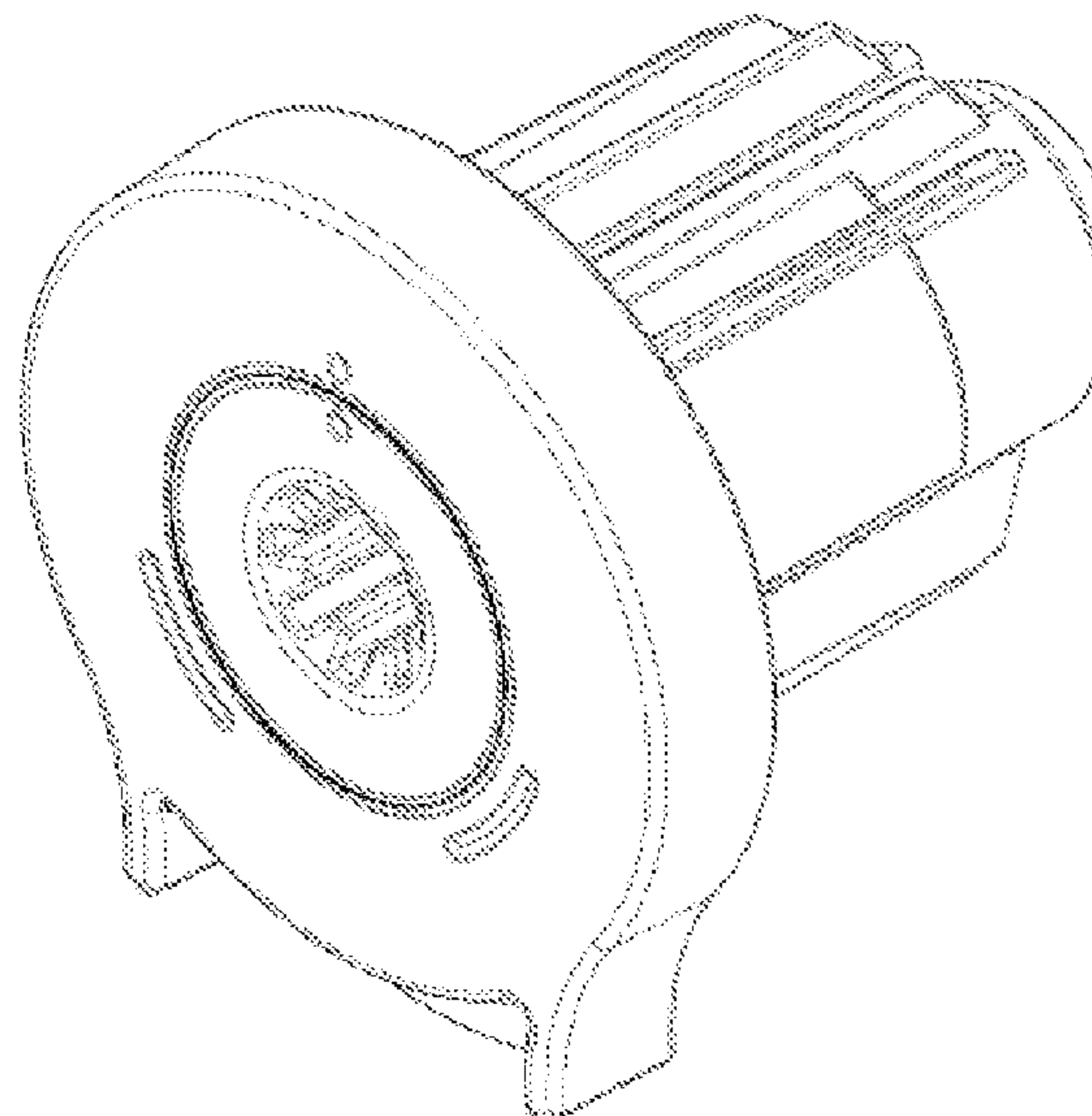
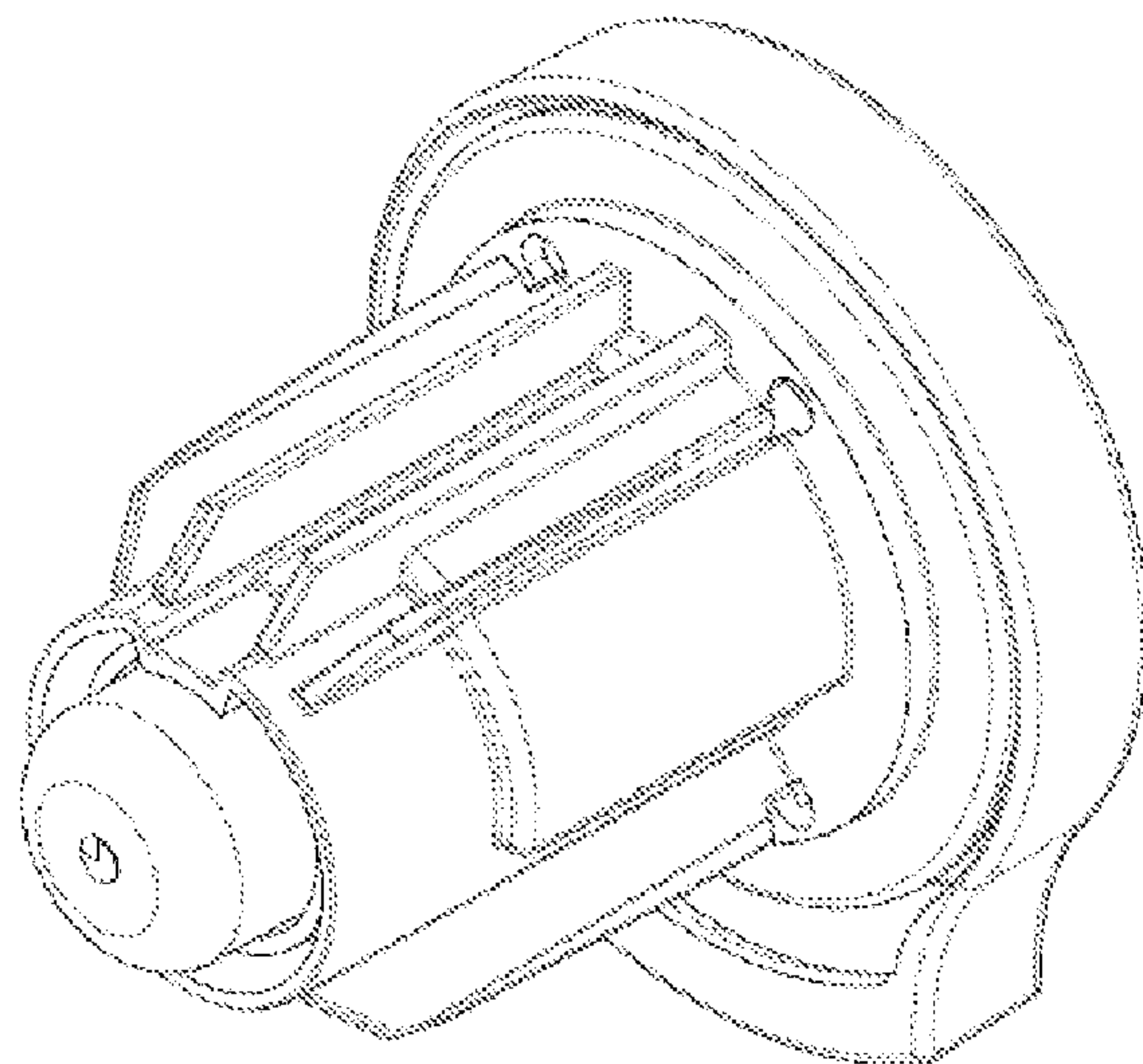
(57) **CLAIM**

The ornamental design for a winder assembly for curtains and blinds, as shown and described.

DESCRIPTION

FIG. 1 is a rear perspective view of the winder assembly for curtains and blinds;
FIG. 2 is a front perspective view thereof;
FIG. 3 is a left side view with the right side view being a mirror image thereof;
FIG. 4 is a bottom view thereof;
FIG. 5 is a front view thereof; and,
FIG. 6 is a rear view thereof.

1 Claim, 6 Drawing Sheets



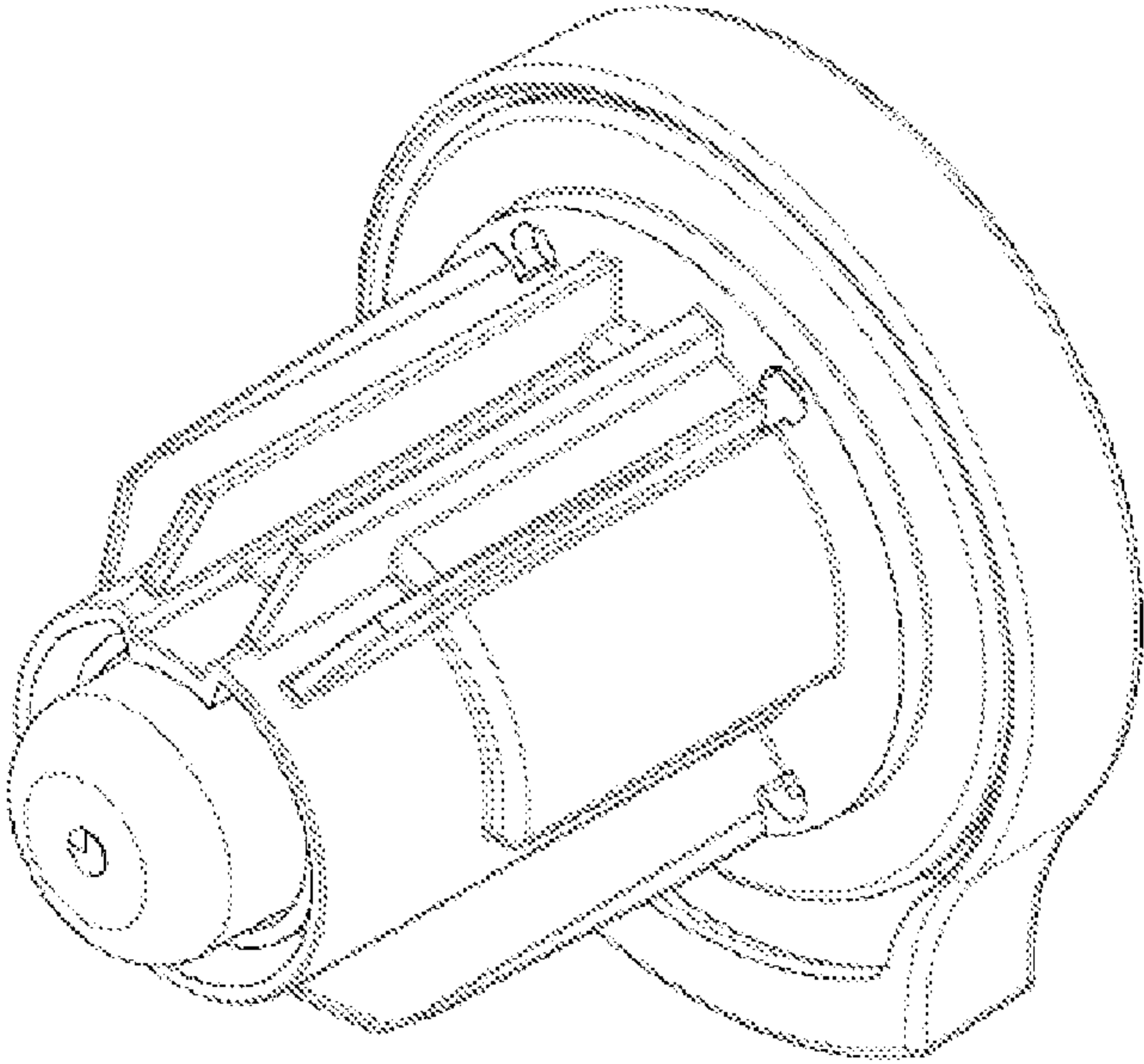


Figure 1

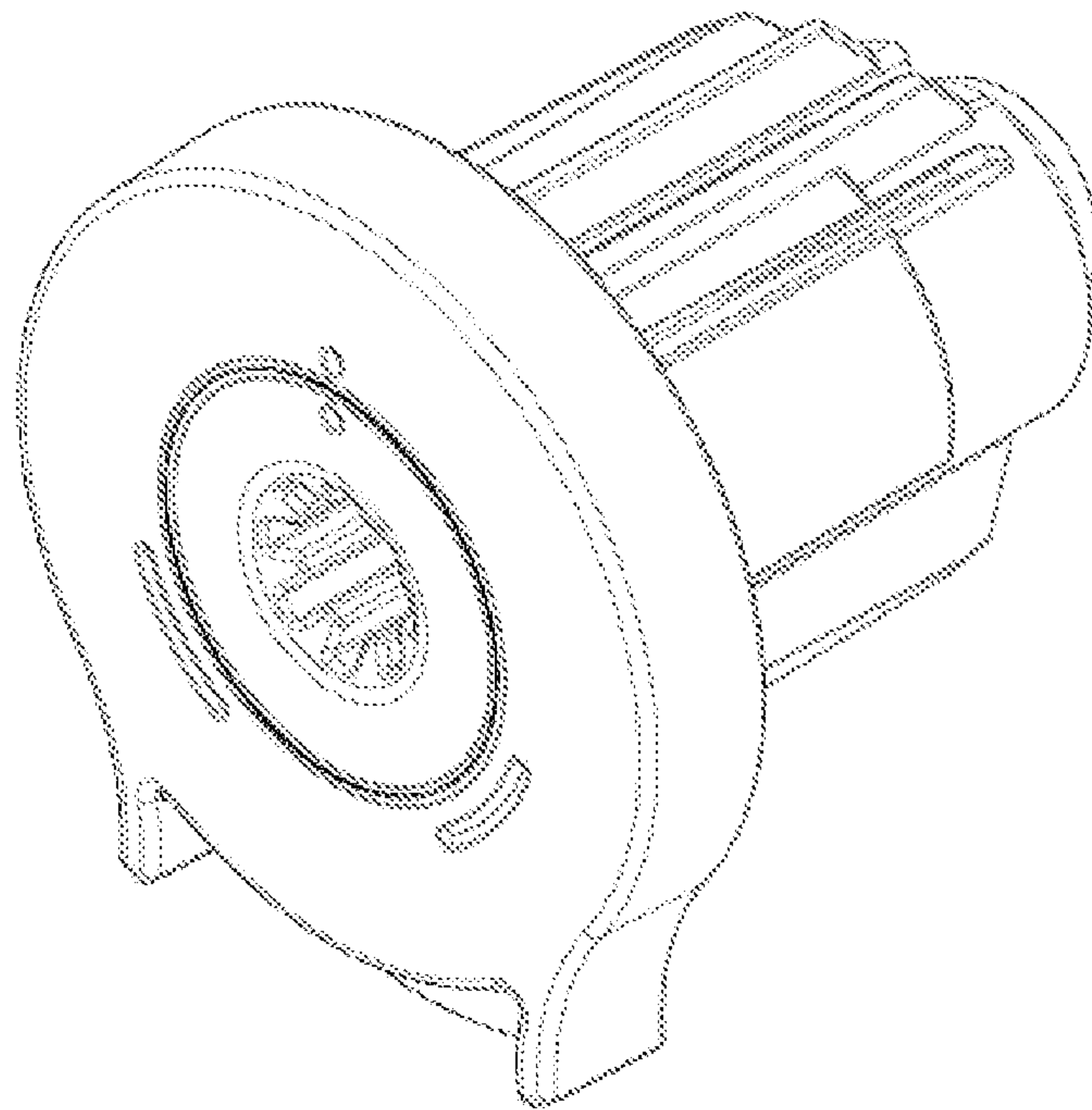


FIGURE 2

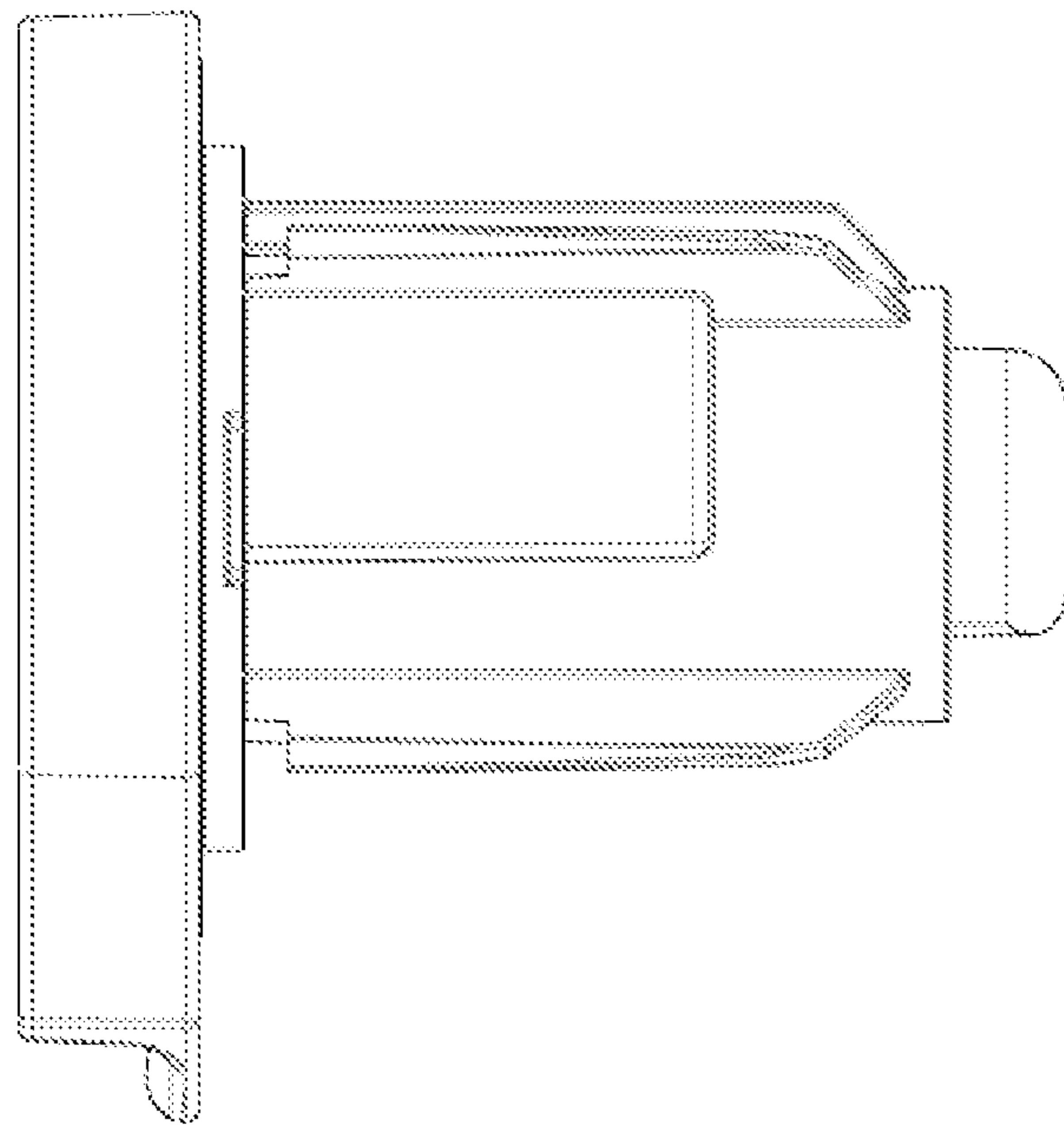


FIGURE 3

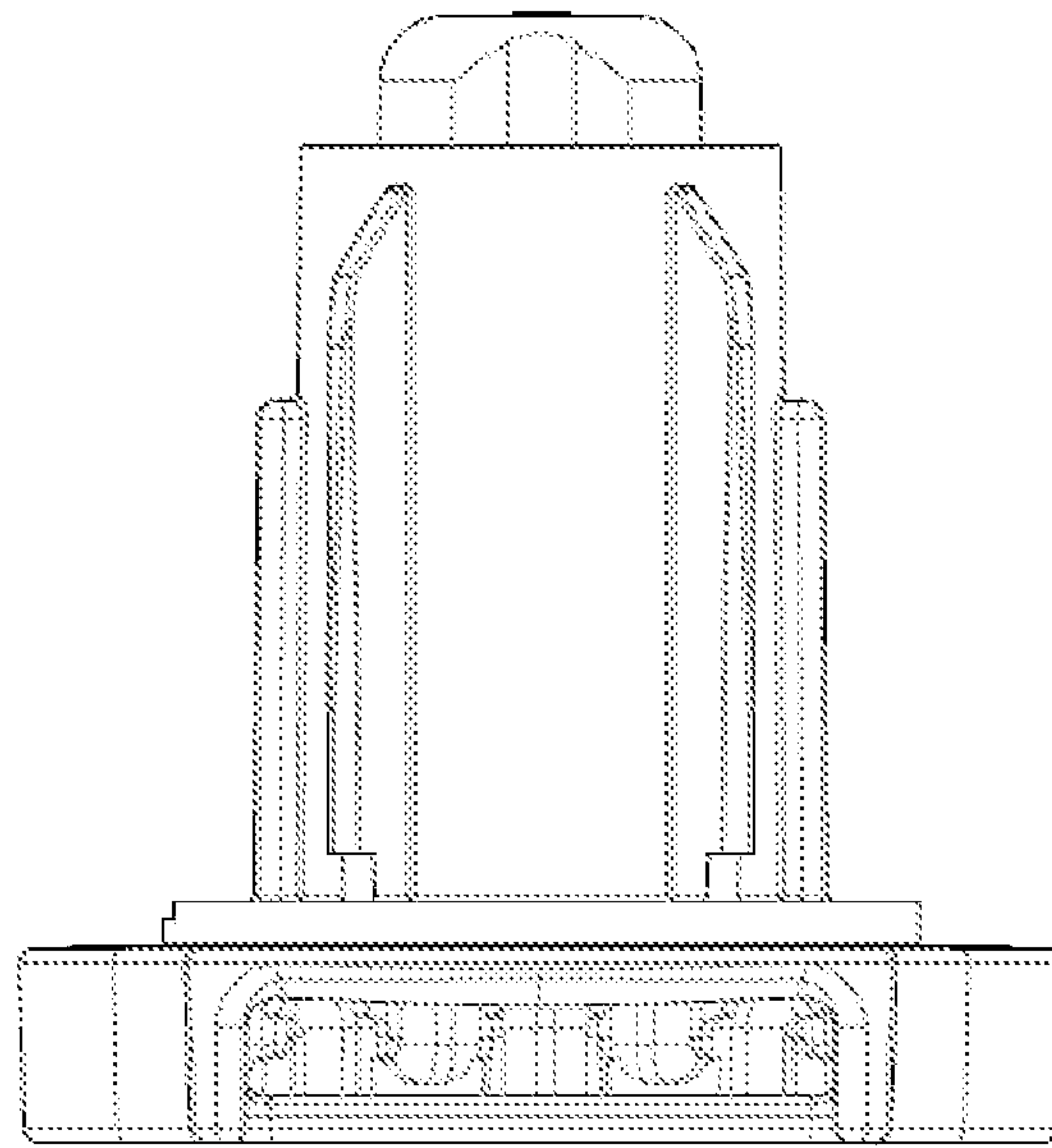


FIGURE 4

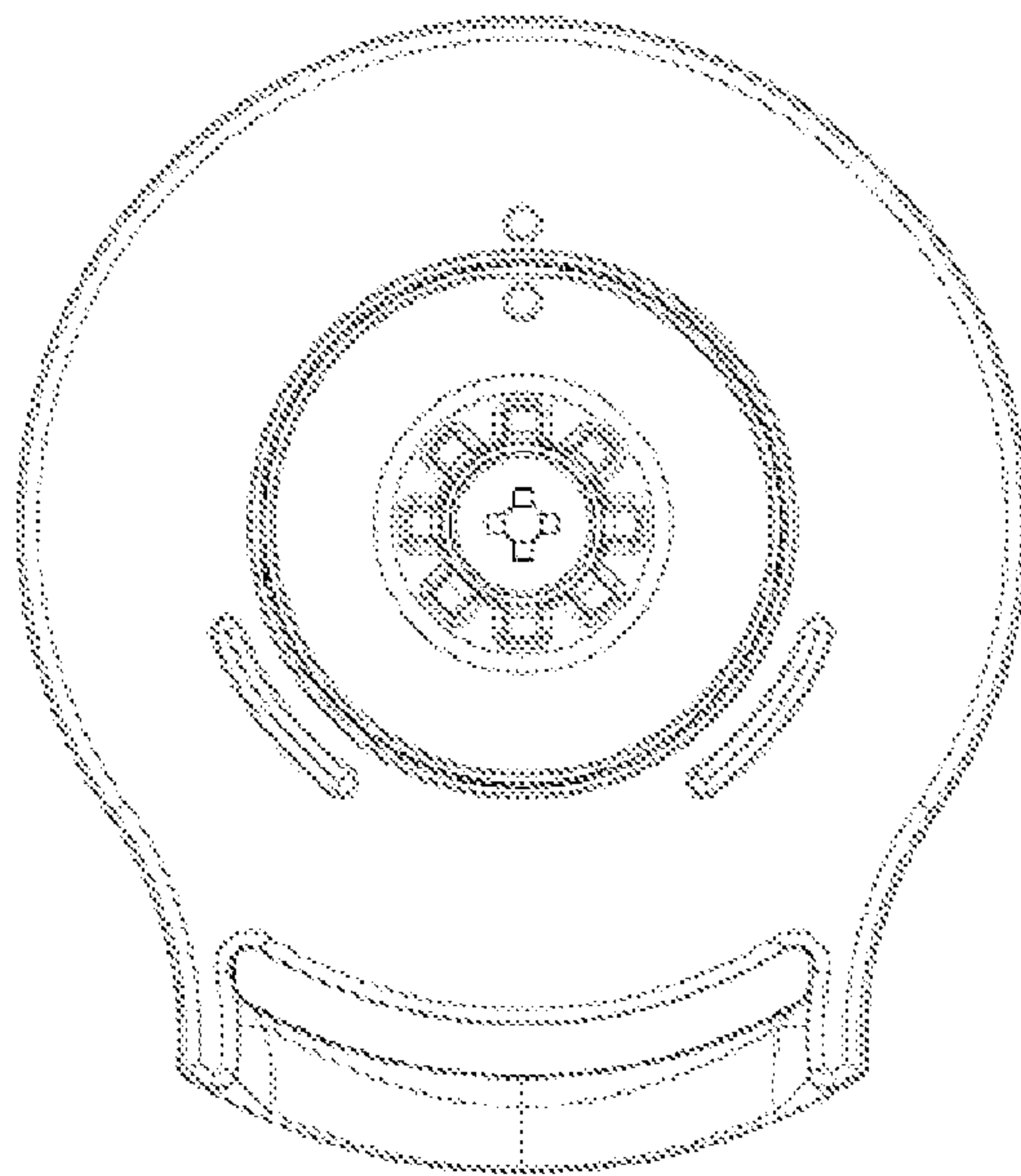


FIGURE 5

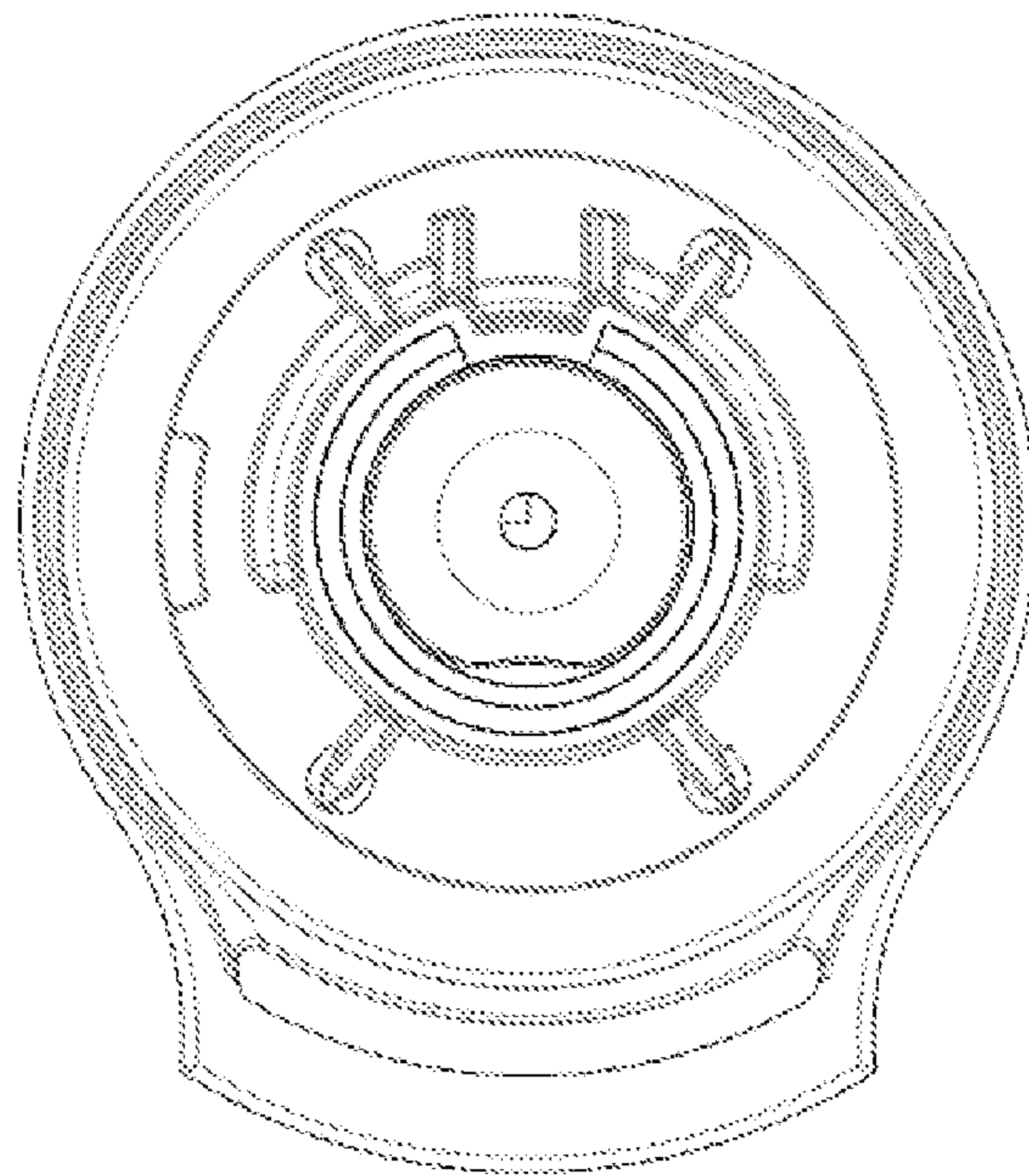


FIGURE 6